



US00D365628S

United States Patent [19] Braun

[11] Patent Number: **Des. 365,628**
[45] Date of Patent: ****Dec. 26, 1995**

[54] **ESSENTIAL OIL DIFFUSER**
[76] Inventor: **Kenneth Braun**, 374 Congress St.,
Boston, Mass. 02210
[**] Term: **14 Years**
[21] Appl. No.: **30,625**
[22] Filed: **Nov. 3, 1994**

4,116,387 9/1978 Kremer, Jr. et al. 239/338
4,198,969 4/1980 Virag .
4,335,804 6/1982 Bardin et al. .
4,498,254 2/1985 Schädlich .
4,599,294 7/1986 Matsumoto et al. .
4,604,104 8/1986 Adis et al. .
4,629,478 12/1986 Browner et al. .
4,629,590 12/1986 Bagwell .
4,635,857 1/1987 Hughes .
4,951,854 8/1990 Garnier et al. .
5,030,253 7/1991 Tokuhiro et al. .

Related U.S. Application Data

[63] Continuation-in-part of Ser. No. 147,774, Nov. 3, 1993,
abandoned.
[52] U.S. Cl. **D23/366; D9/300**
[58] Field of Search **D23/366-369;**
D9/300; 222/645-648, 183

Primary Examiner—Lisa P. Lichtenstein
Attorney, Agent, or Firm—Samuels, Gauthier & Stevens

[57] CLAIM

The ornamental design for a essential oil diffuser, as shown.

DESCRIPTION

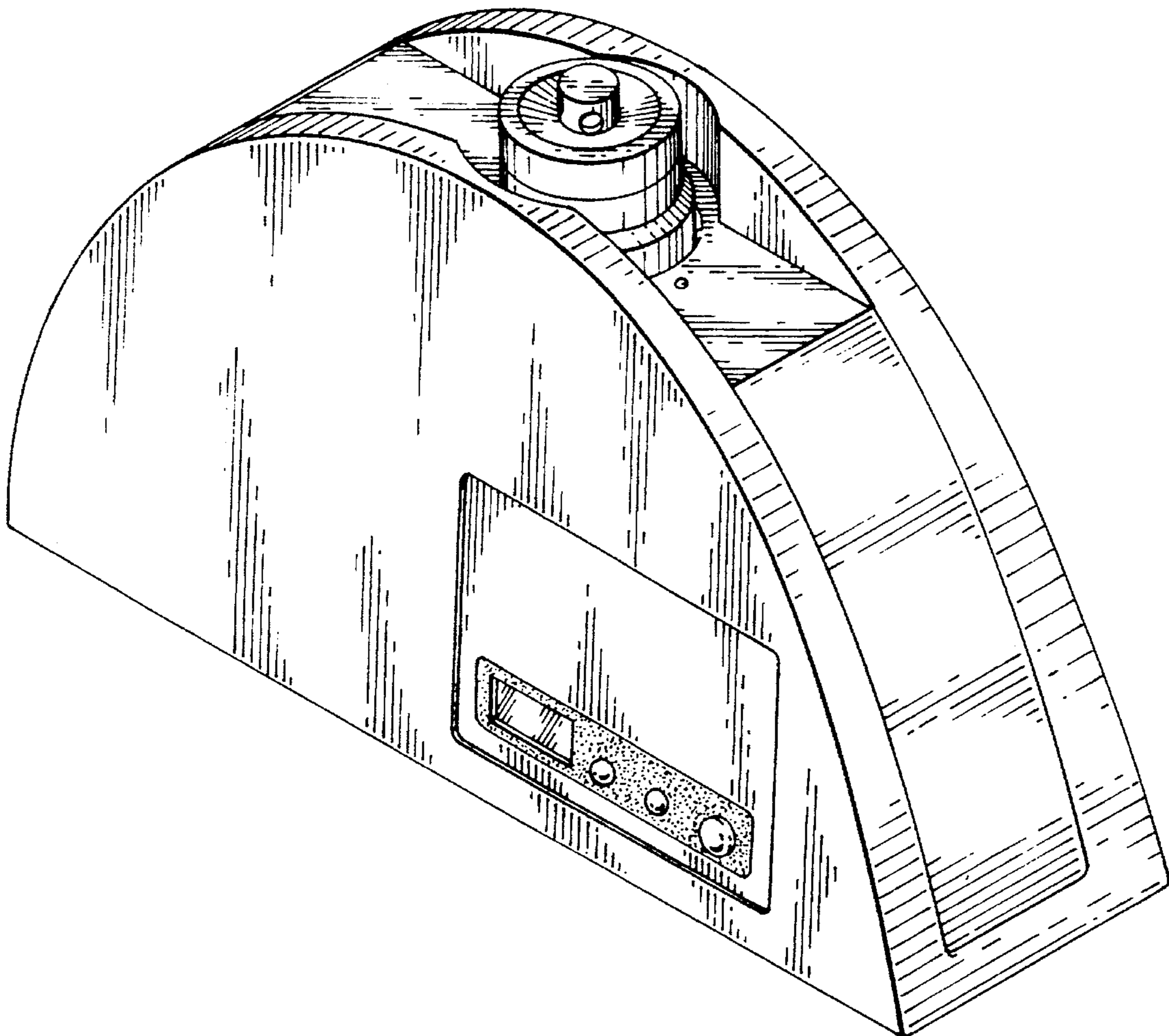
FIG. 1 is an isometric view of a essential oil diffuser showing new design;
FIGS. 2 and 4 are side elevational views thereof;
FIG. 3 is a top plan view thereof;
FIG. 5 is a bottom plan view thereof; and,
FIGS. 6 and 7 are end views thereof.

[56] References Cited

U.S. PATENT DOCUMENTS

D. 320,676 10/1991 Silverman D9/300
2,262,772 11/1941 Larsen 55/229
2,890,765 6/1959 Friedell 184/55.2
3,107,821 10/1963 Lambert 222/647
3,249,553 5/1966 Steinberg 239/337
4,085,893 4/1978 Durley, III 239/102.2

1 Claim, 4 Drawing Sheets



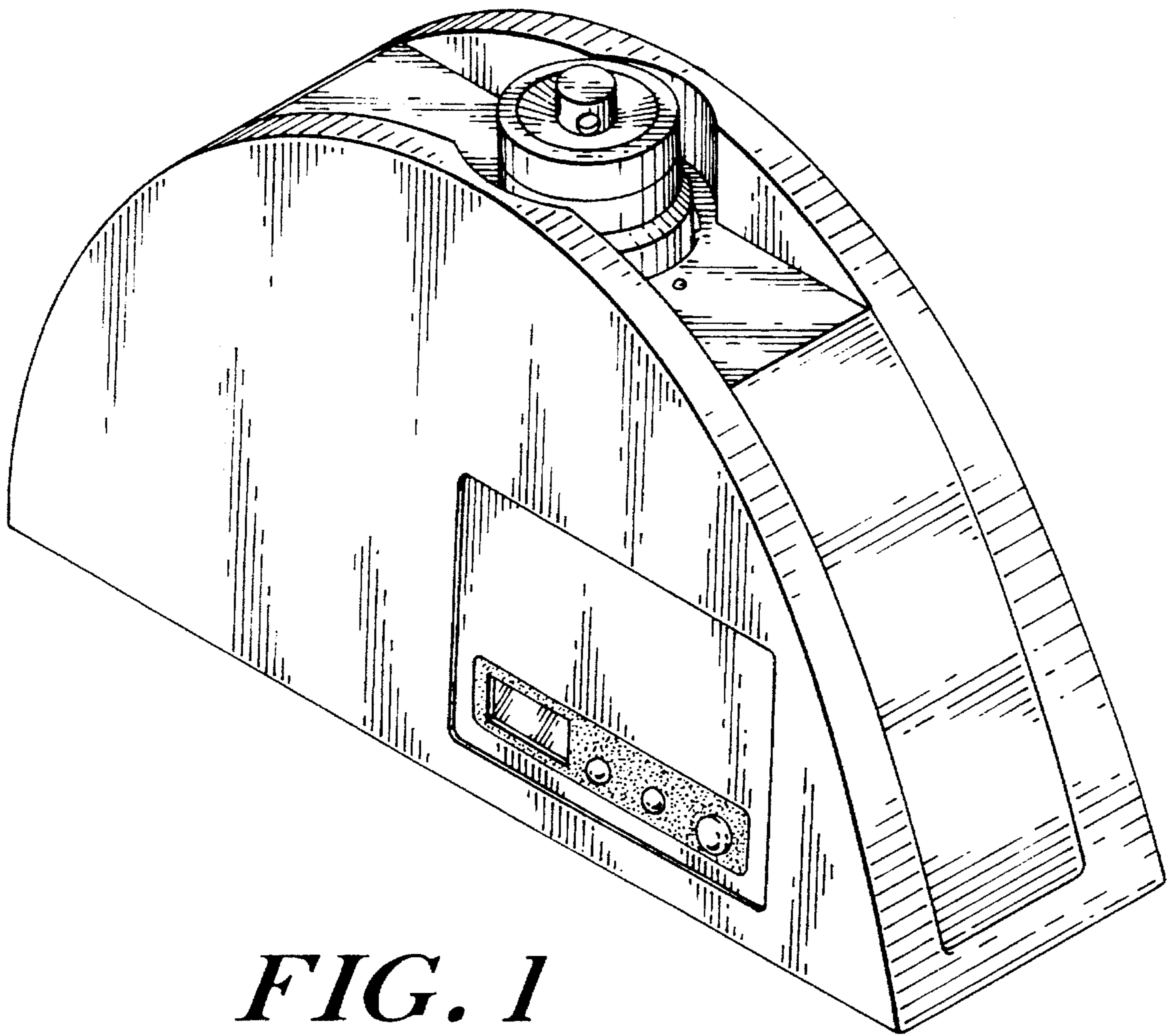


FIG. 1

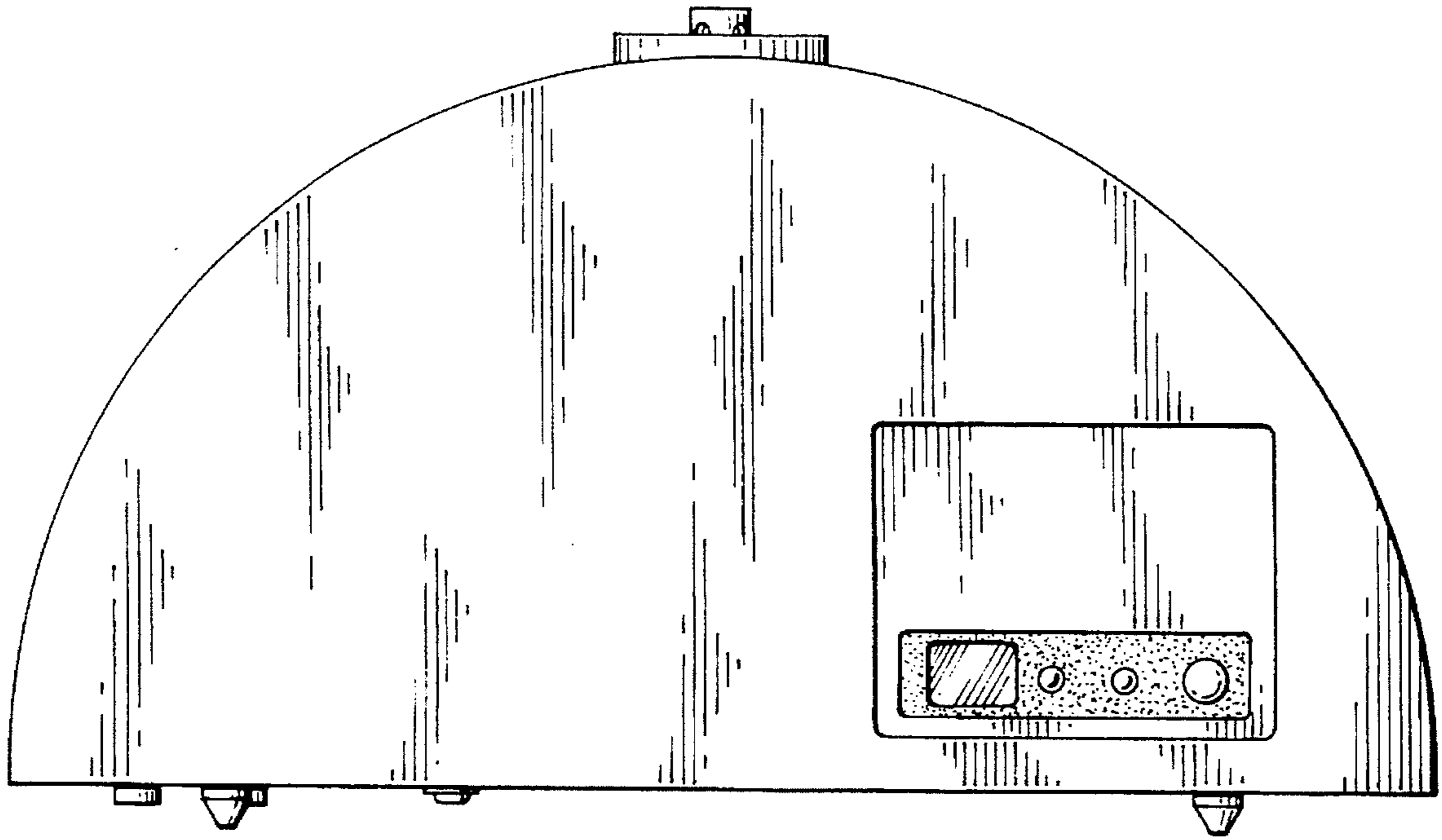


FIG. 2

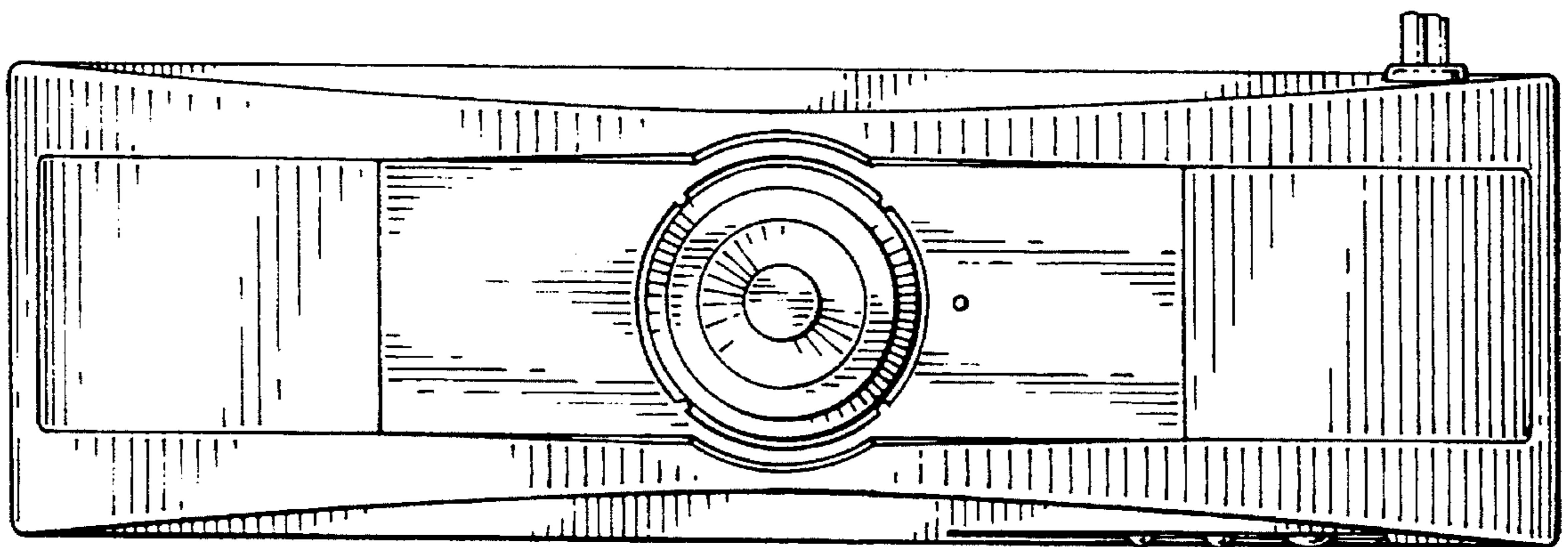


FIG. 3

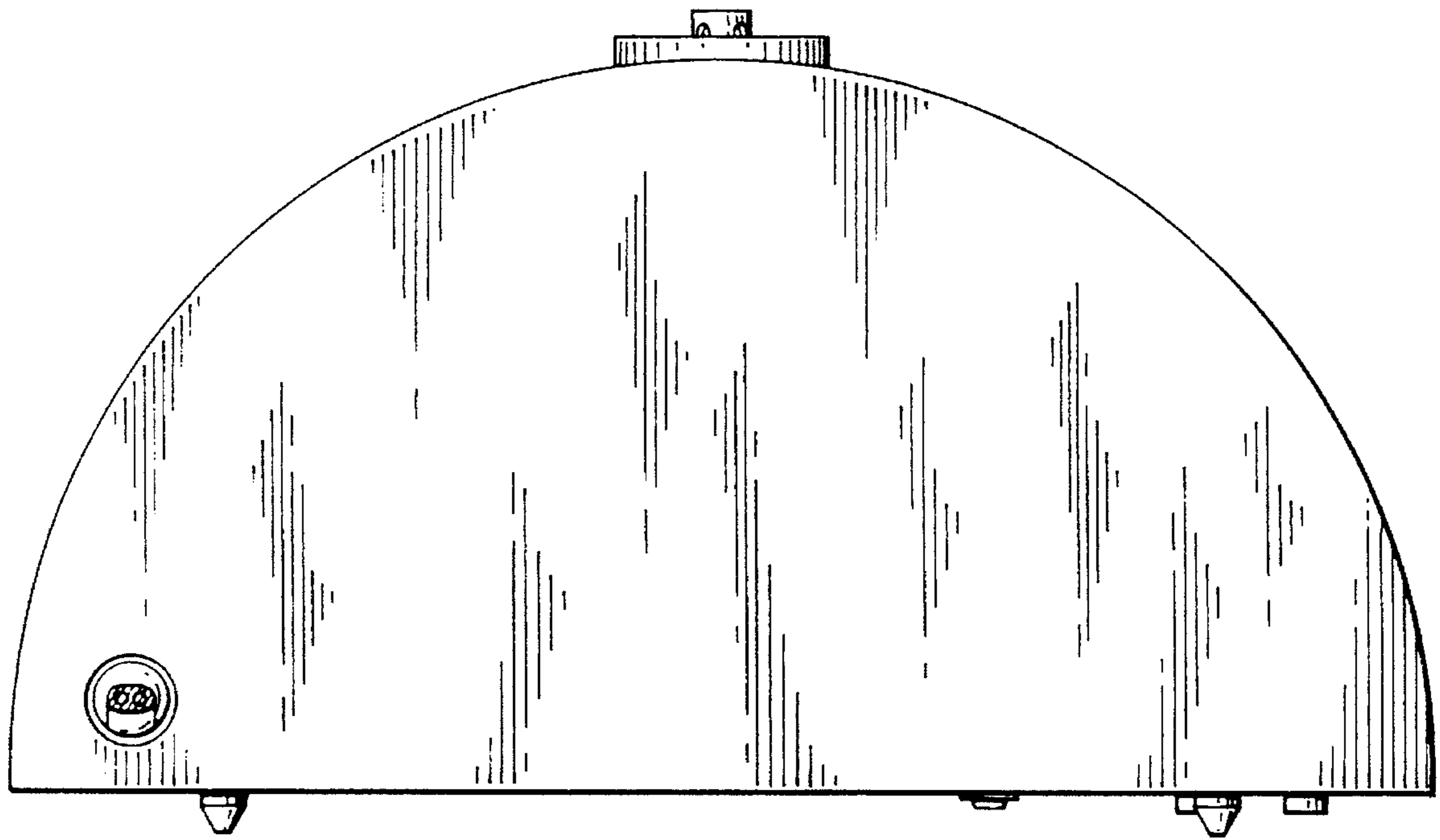


FIG. 4

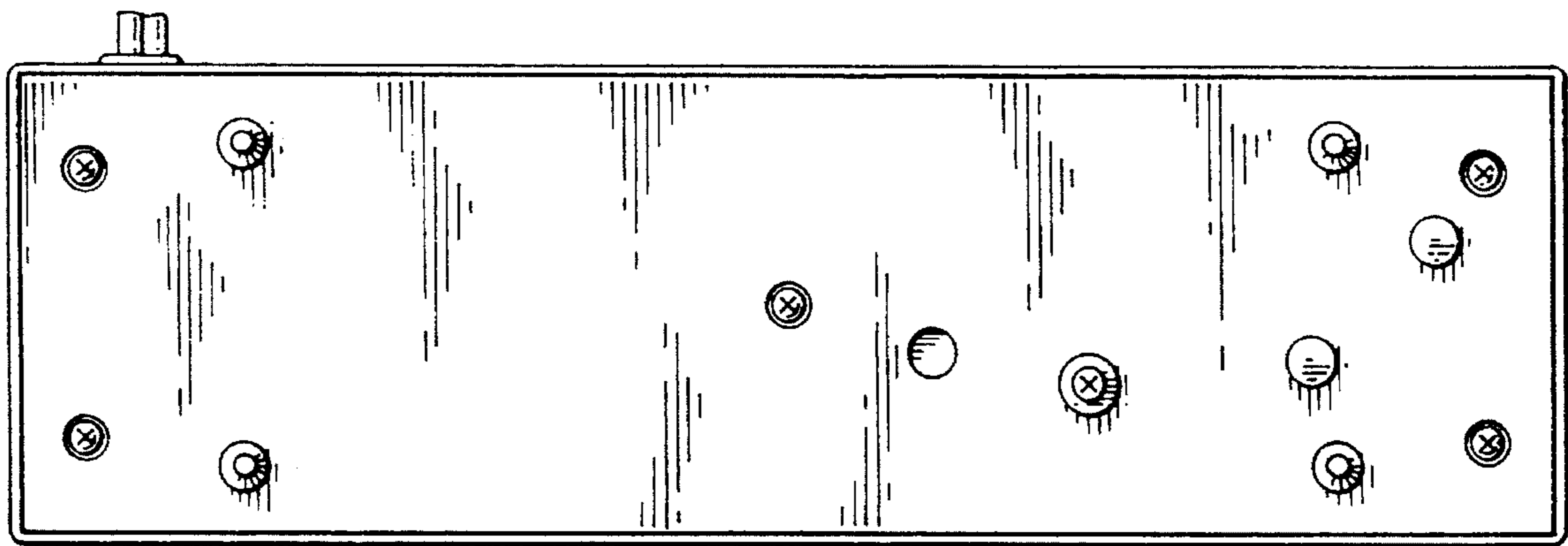


FIG. 5

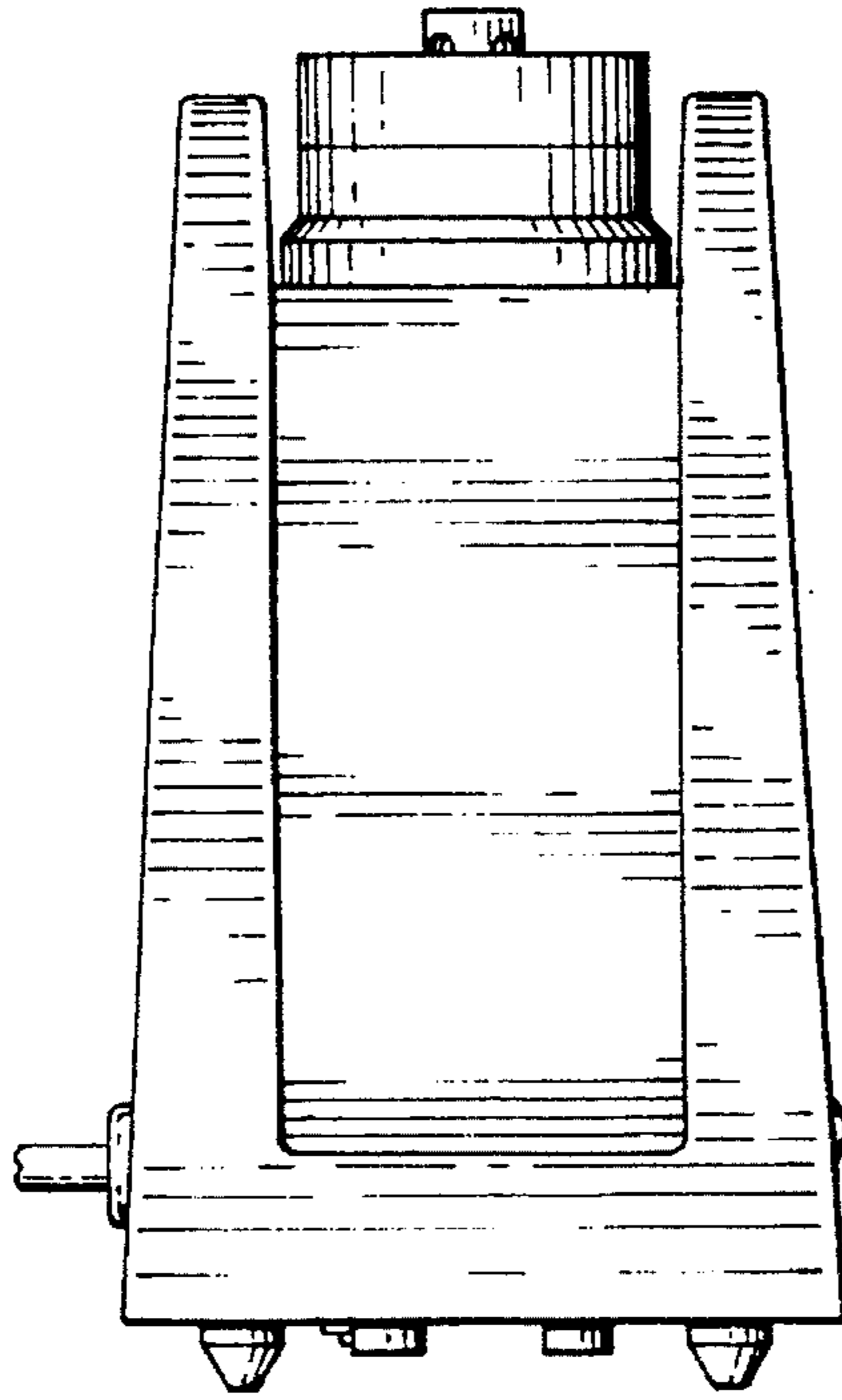


FIG. 6

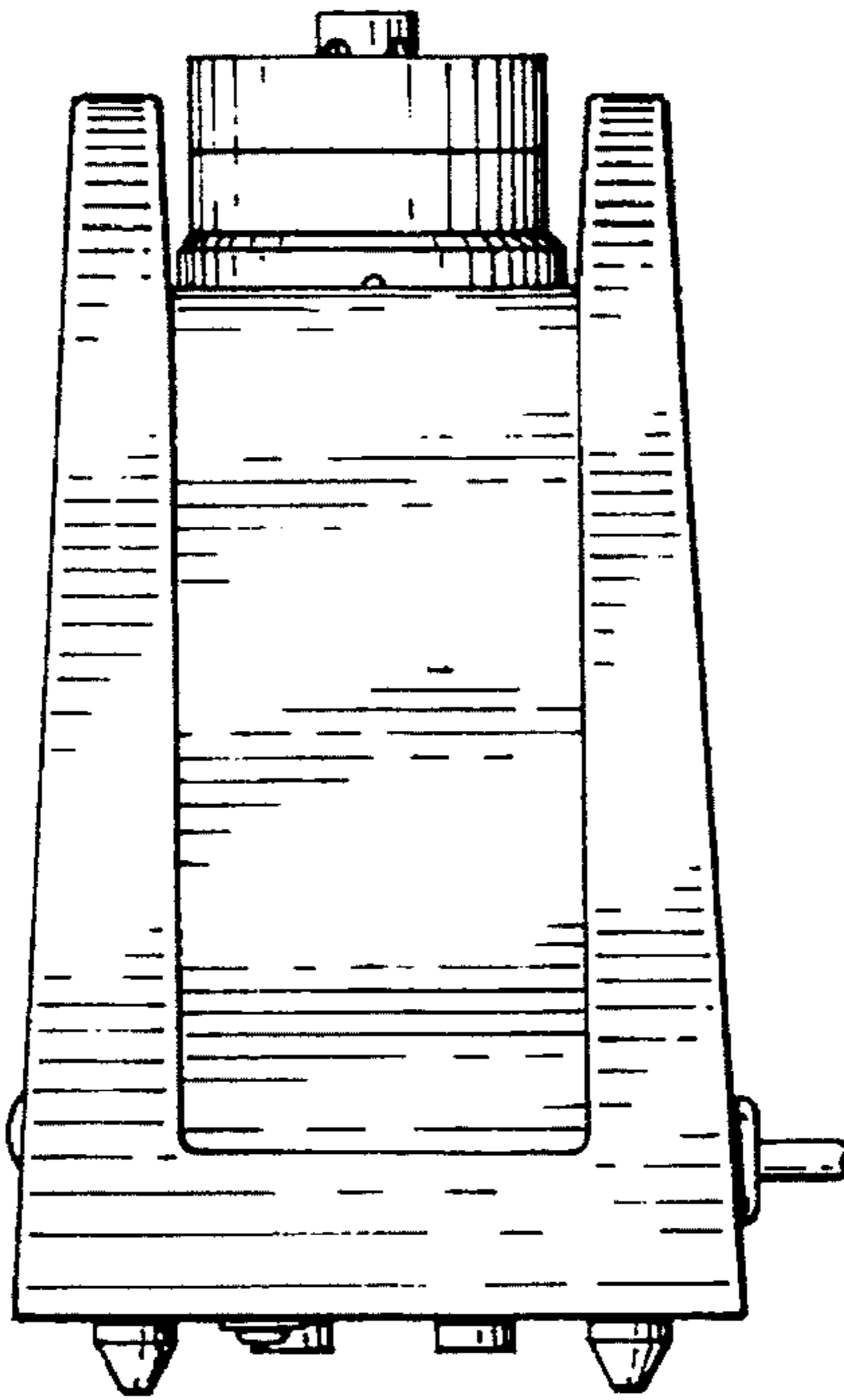


FIG. 7