



US00D365626S

United States Patent [19]
DeBoer

[11] **Patent Number: Des. 365,626**

[45] **Date of Patent: **Dec. 26, 1995**

[54] **SHOWER LOTION SIPHON**

[76] Inventor: **Lambert C. DeBoer**, Box 2, Vega,
Alberta, Canada, T0G 2H0

[**] Term: **14 Years**

[21] Appl. No.: **31,041**

[22] Filed: **Nov. 16, 1994**

[52] **U.S. Cl.** **D23/304**

[58] **Field of Search** D23/304; 4/615,
4/617, 597, 605, 552, 557, 558, 589, 596,
600, 607, 610, 612; 239/310, 312

[56] **References Cited**

U.S. PATENT DOCUMENTS

2,058,901	10/1936	McPherson	239/310	X
3,192,950	7/1965	Weese et al.	4/605	X
3,285,521	11/1966	Coakley	239/312	
4,193,520	3/1980	Duffield	239/310	
4,218,013	8/1980	Davison	4/605	X
5,333,789	8/1994	Garveys	4/605	X

Primary Examiner—Stella Reid
Assistant Examiner—Eric Watterson

[57] **CLAIM**

The ornamental design for a shower lotion siphon, as shown and described.

DESCRIPTION

FIG. 1 is a front elevational view of the shower lotion siphon showing my new design;
FIG. 2 is a rear elevational view thereof;
FIG. 3 is a left side elevational view thereof;
FIG. 4 is a right side elevational view thereof;
FIG. 5 is a top plan view thereof;
FIG. 6 is a bottom plan view thereof; and,
FIG. 7 is an isometric view showing a use thereof.
The tubular element is shown broken away to illustrate indeterminate length.
The broken line showing in FIG. 7 is for illustrative purposes only and forms no part of the claimed design.

1 Claim, 4 Drawing Sheets

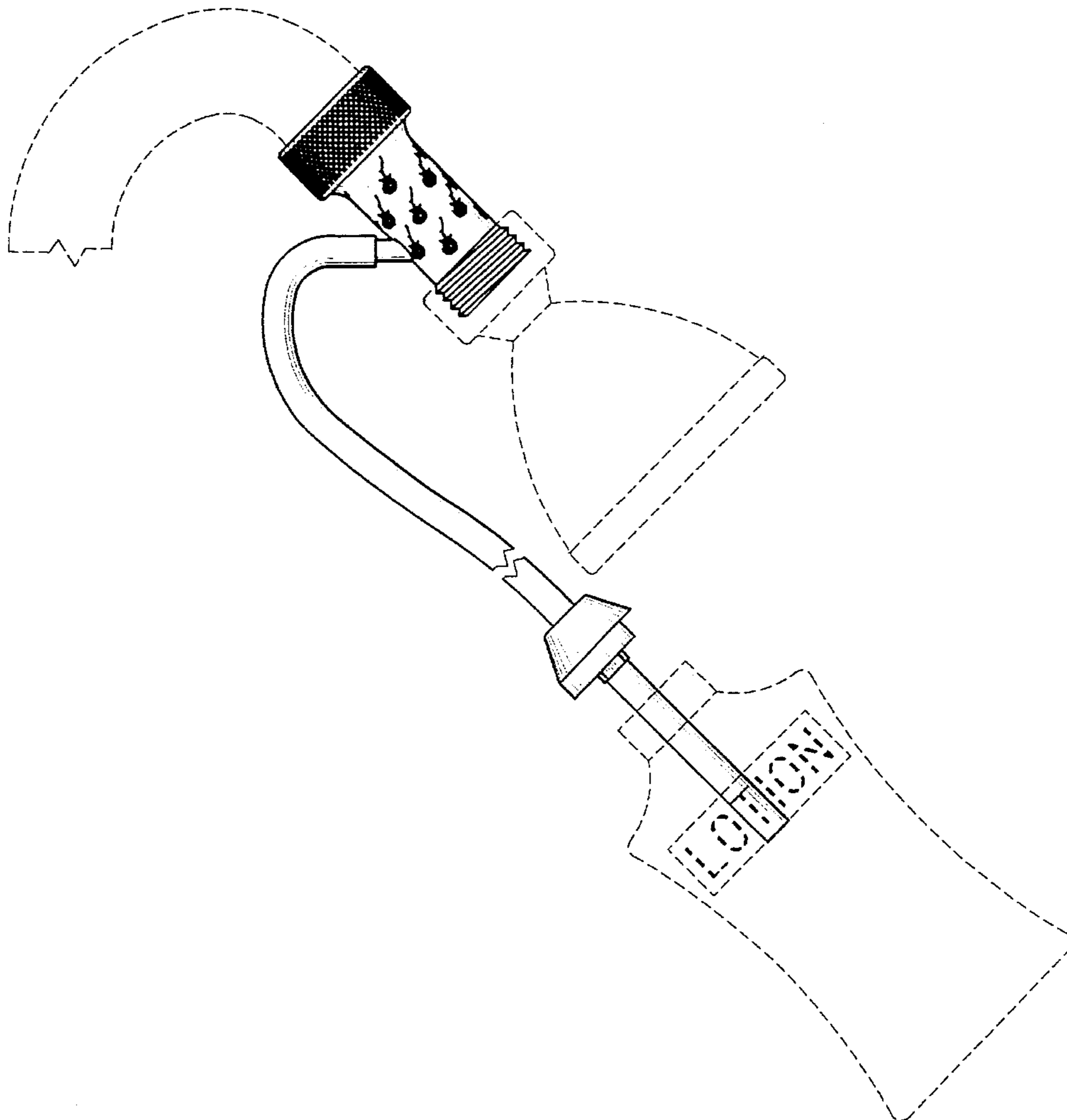


FIG. 1

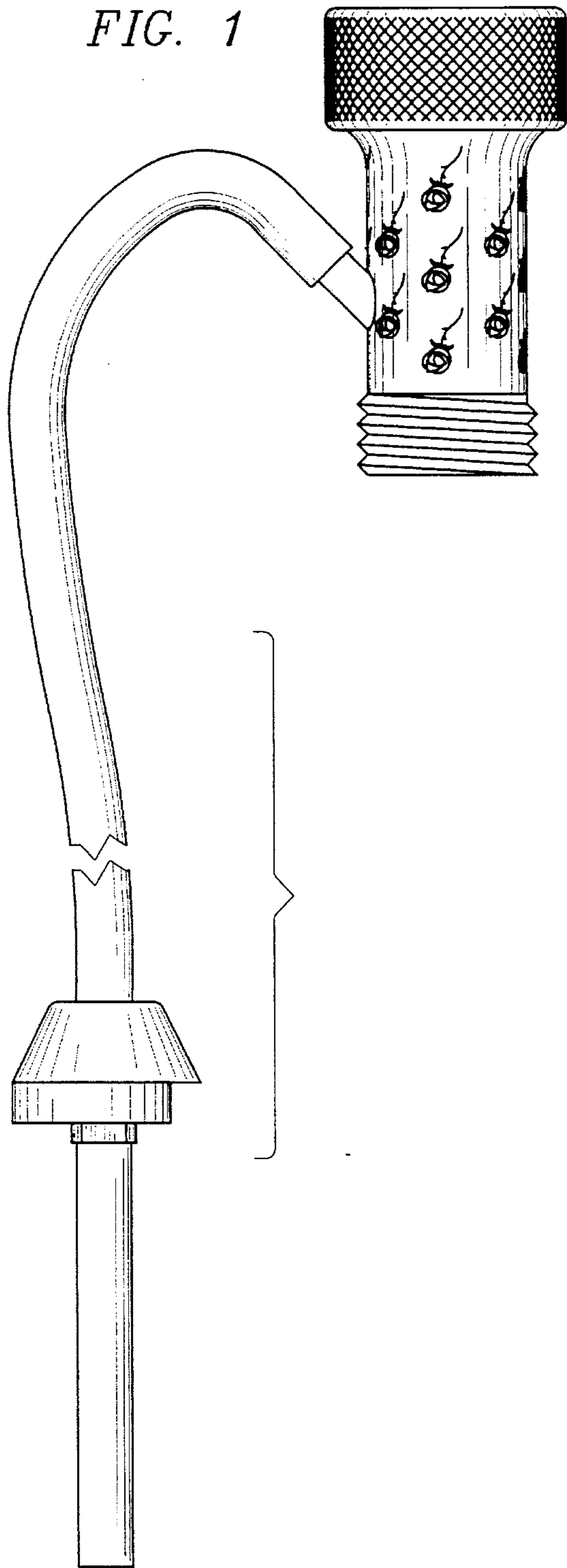


FIG. 2

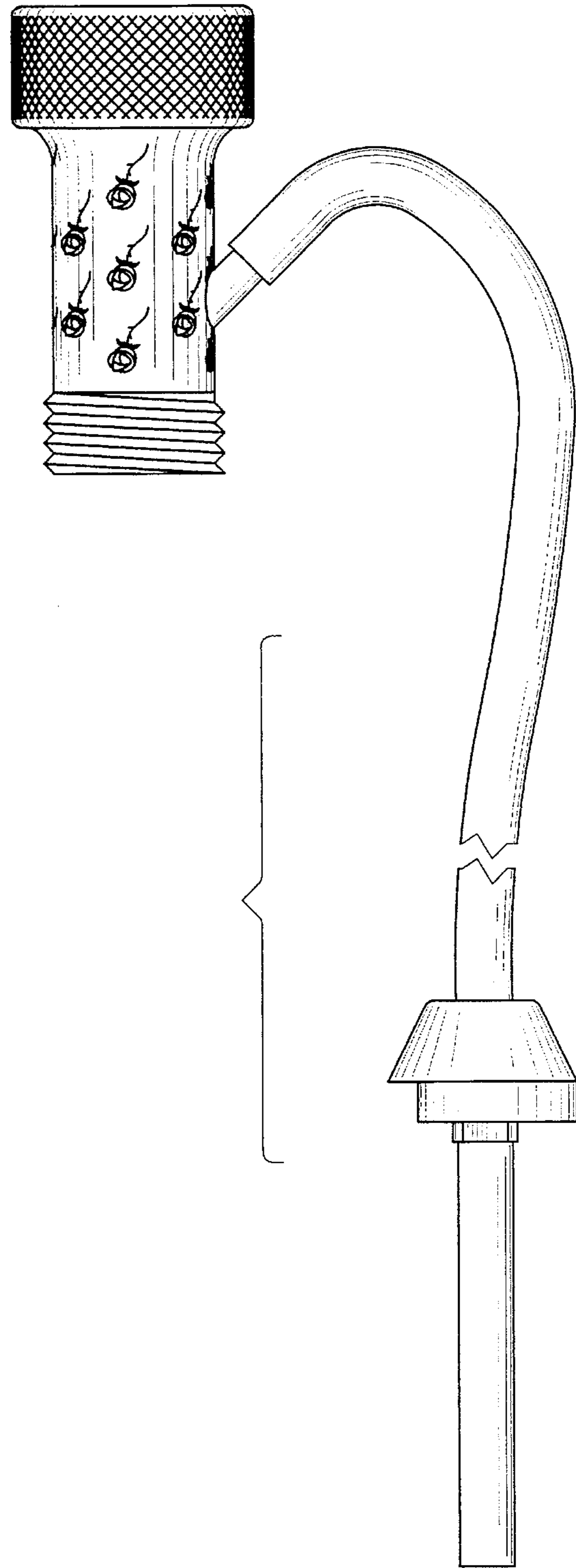


FIG. 3

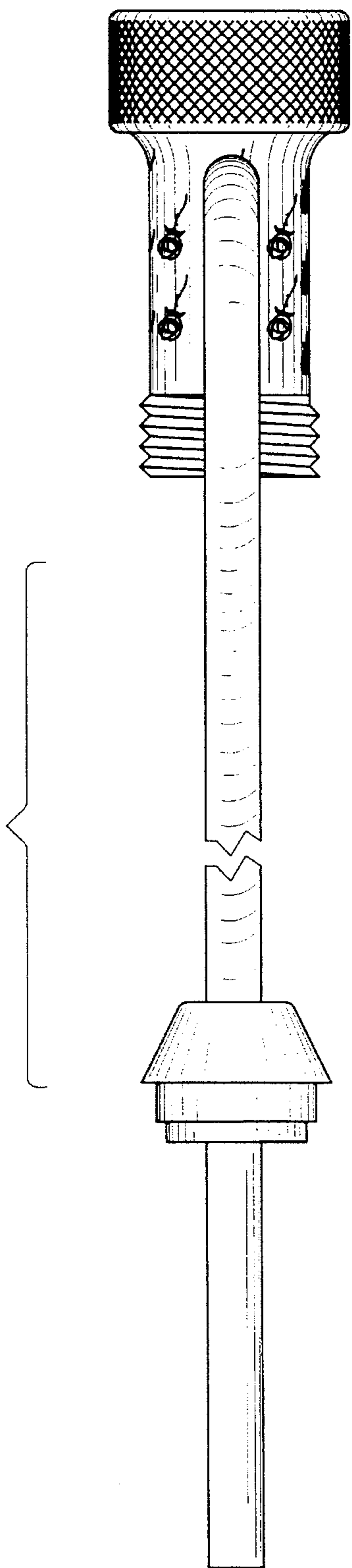


FIG. 4

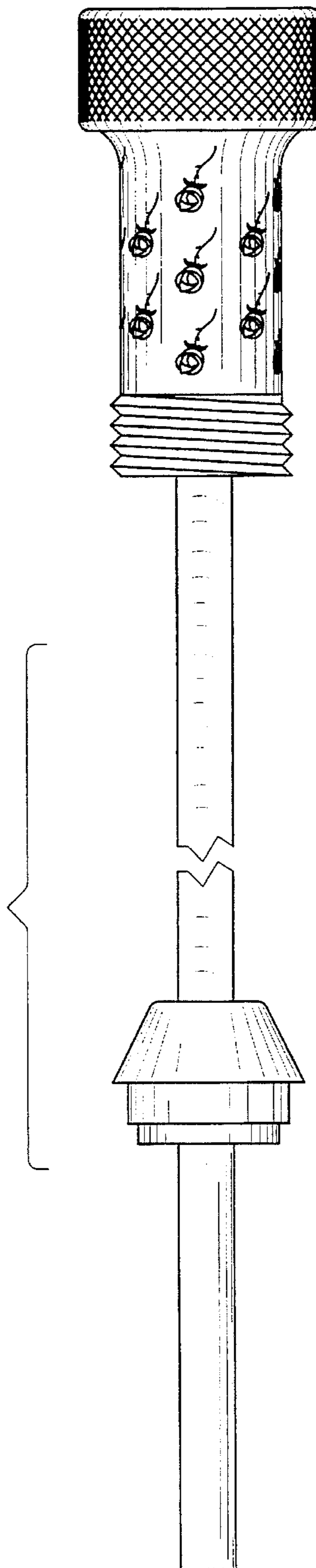


FIG. 5

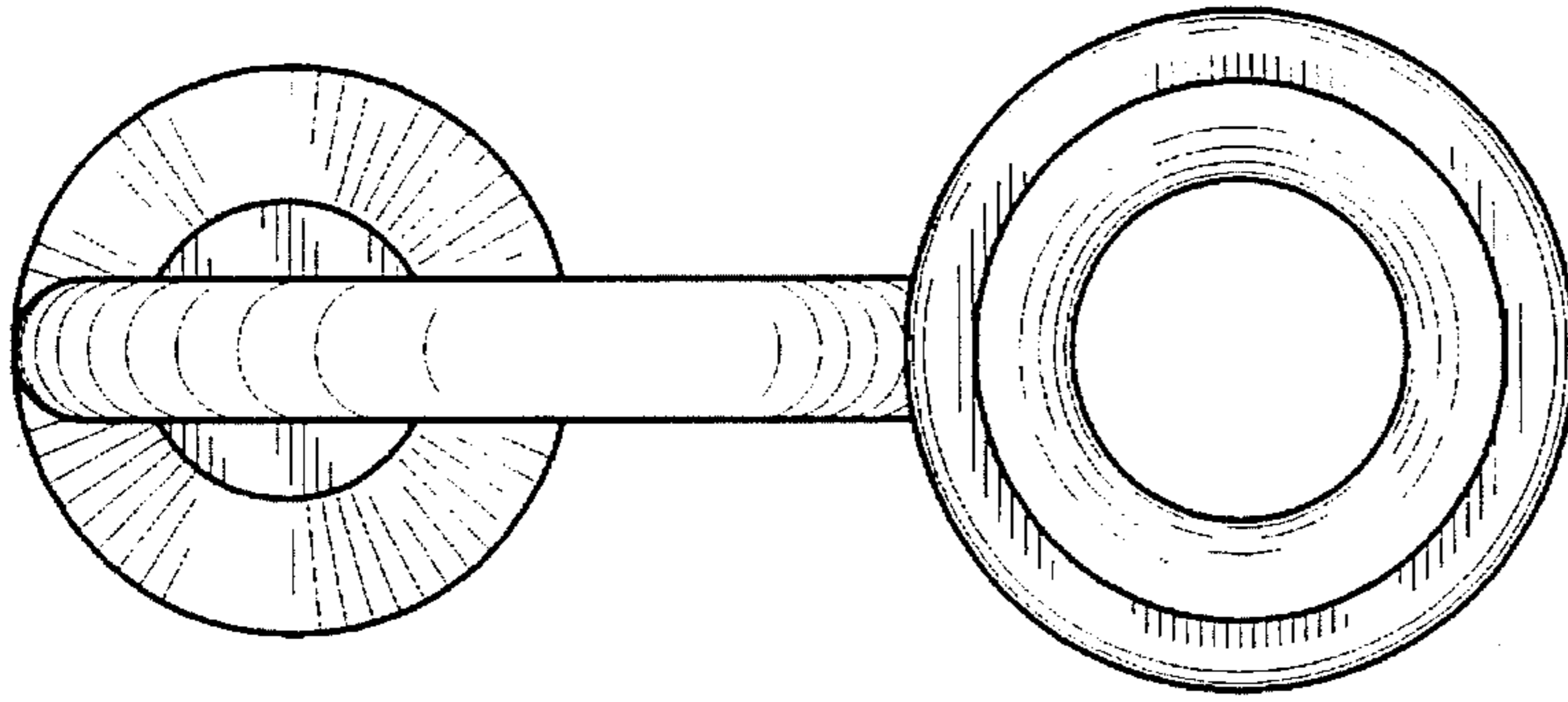


FIG. 6

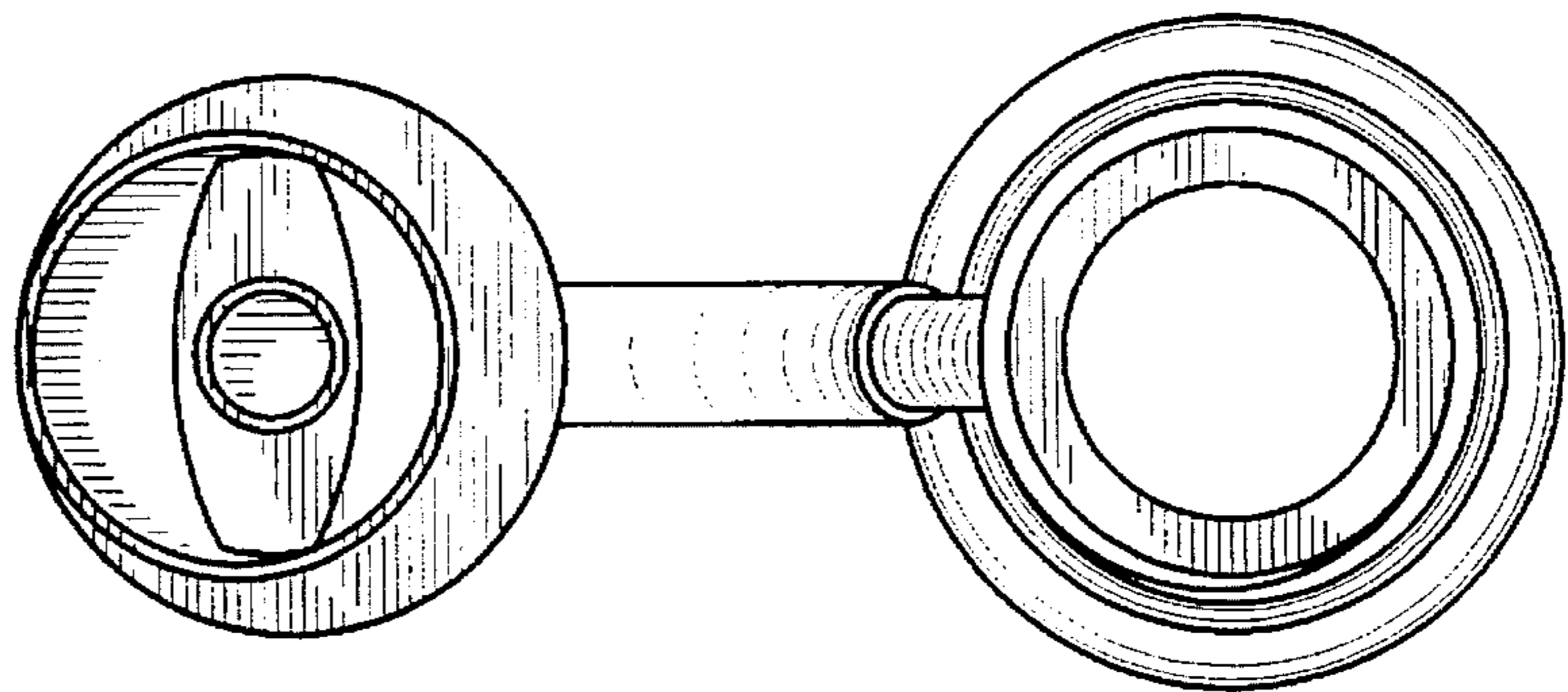


FIG. 7

