



US00D365624S

United States Patent [19]
Gottwald

[11] **Patent Number: Des. 365,624**
[45] **Date of Patent: **Dec. 26, 1995**

[54] **WALL-MOUNTED FAUCET**

D. 293,599 1/1988 Bergmann et al. D23/238
D. 312,118 11/1990 Sou D23/238

[75] Inventor: **Adolf Gottwald**, Iserlohn, Germany

[73] Assignee: **Friedrich Grohe Aktiengesellschaft**,
Hemer, Germany

Primary Examiner—Stella Reid
Assistant Examiner—Eric Watterson
Attorney, Agent, or Firm—Herbert Dubno

[**] Term: **14 Years**

[57] **CLAIM**

[21] Appl. No.: **36,941**

The ornamental design for a wall-mounted faucet, as shown and described.

[22] Filed: **Mar. 31, 1995**

DESCRIPTION

[30] **Foreign Application Priority Data**

FIG. 1 is a top, front, left-side perspective view of a wall-mounted faucet showing my new design;
FIG. 2 is a left side elevational view, the opposite side being a mirror thereto;
FIG. 3 is a front view thereof;
FIG. 4 is a bottom view thereof;
FIG. 5 is a top view thereof; and,
FIG. 6 is a rear view thereof.

Oct. 31, 1994 [DE] Germany M9408505.6

[52] **U.S. Cl.** **D23/238**

[58] **Field of Search** D23/238-243,
D23/250-258; 4/623, 675-678; 137/801

[56] **References Cited**

U.S. PATENT DOCUMENTS

D. 149,344 4/1948 Filter D23/240

1 Claim, 6 Drawing Sheets

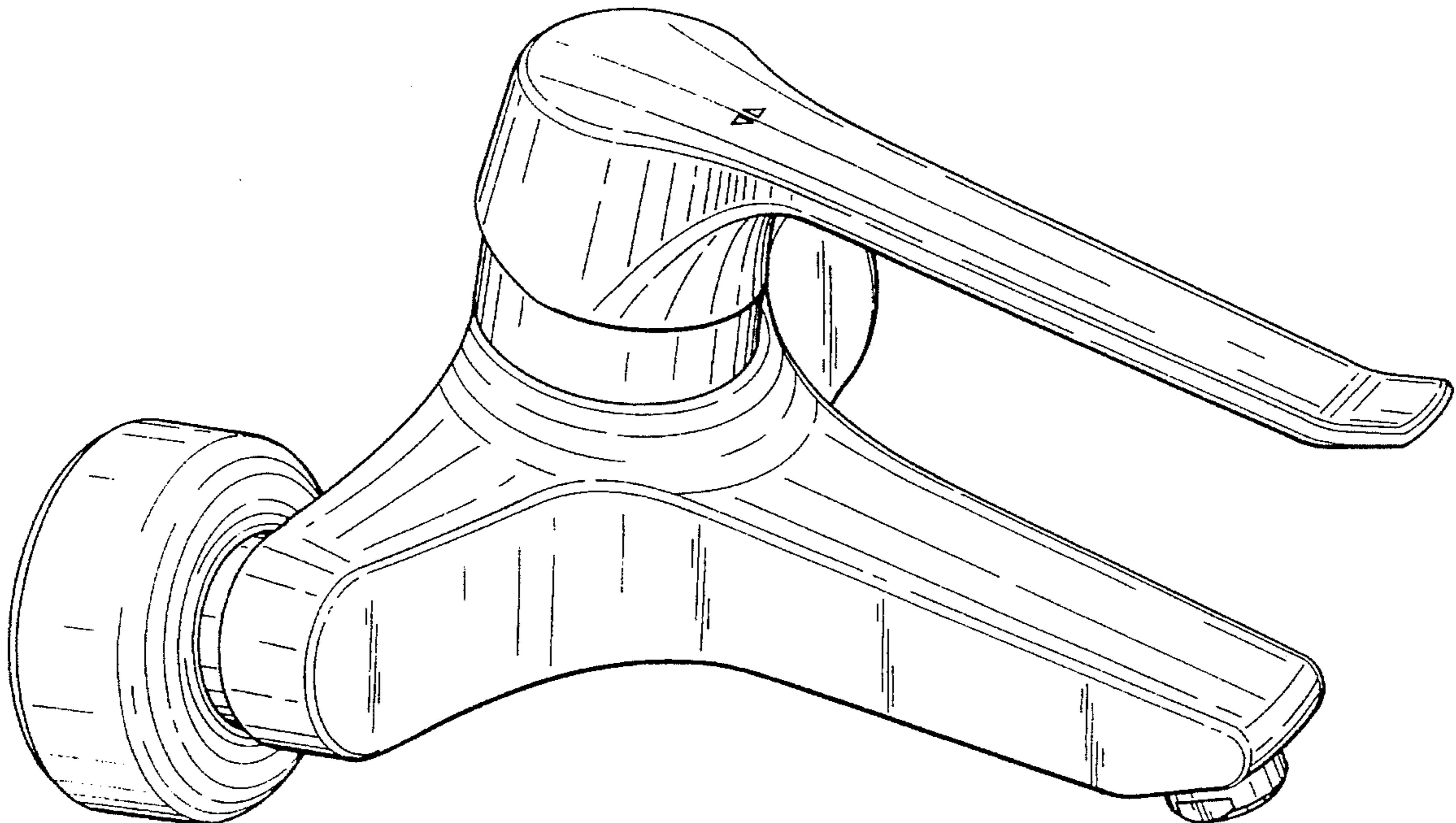
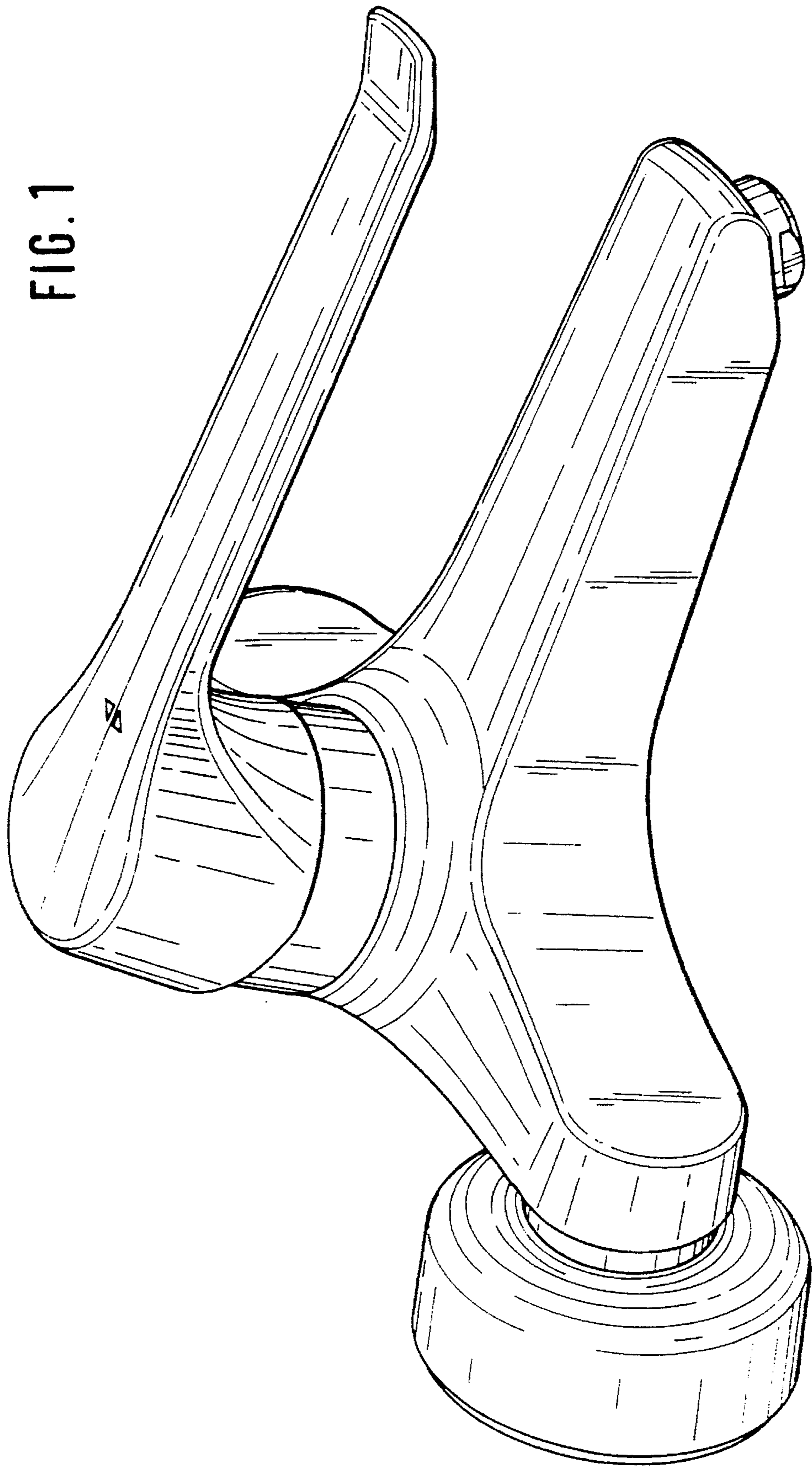


FIG. 1



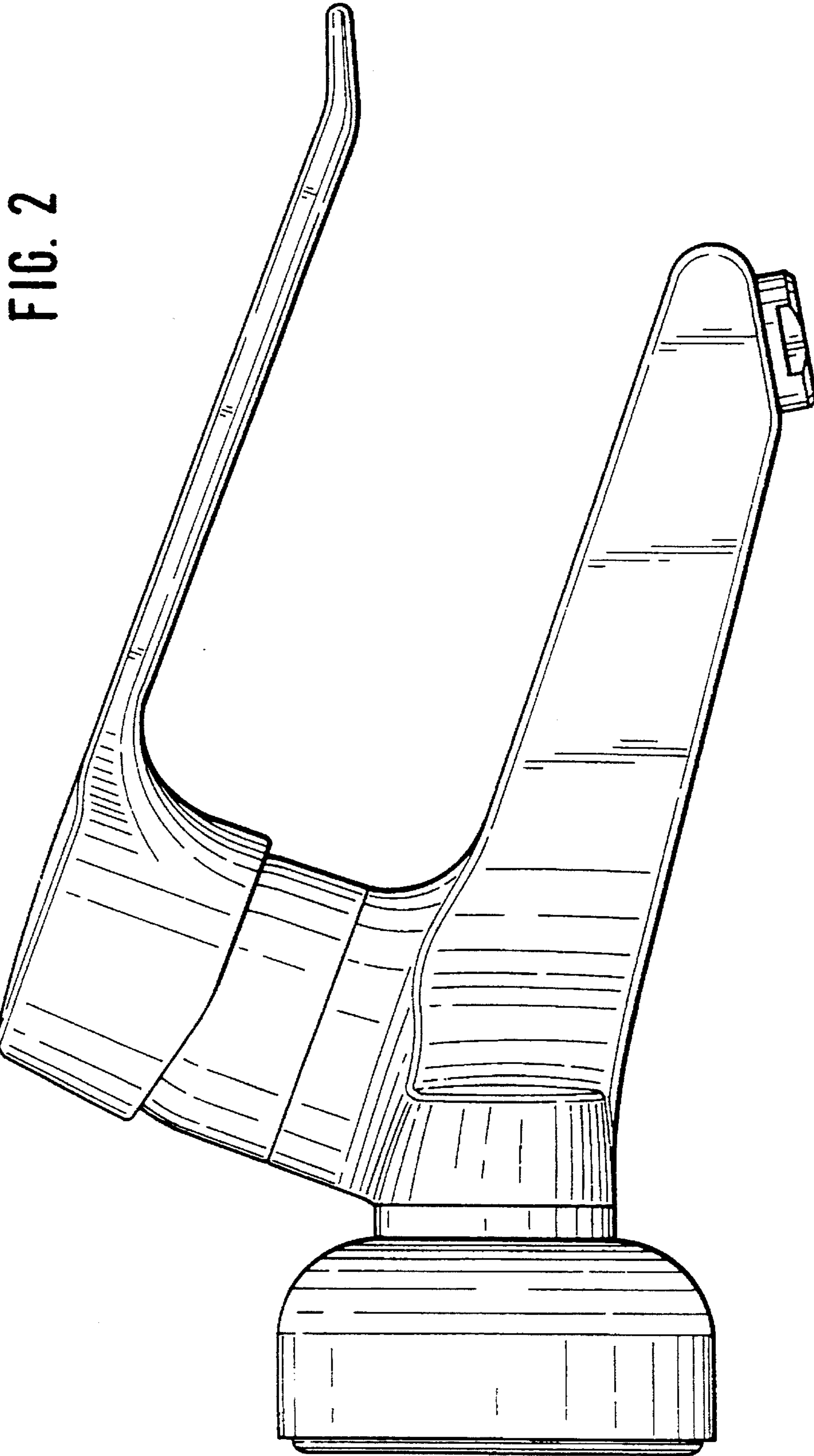


FIG. 2

FIG. 3

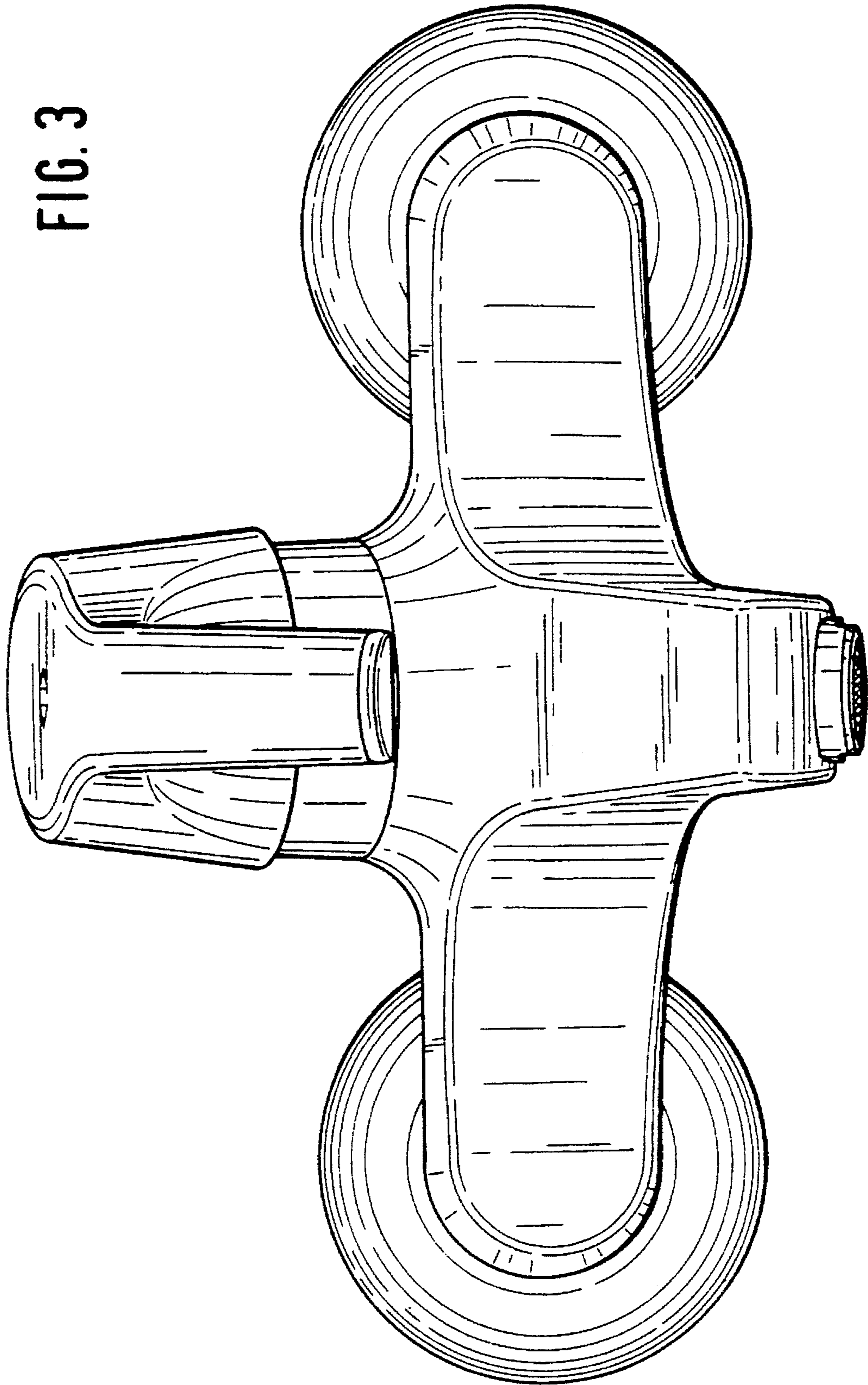


FIG. 4

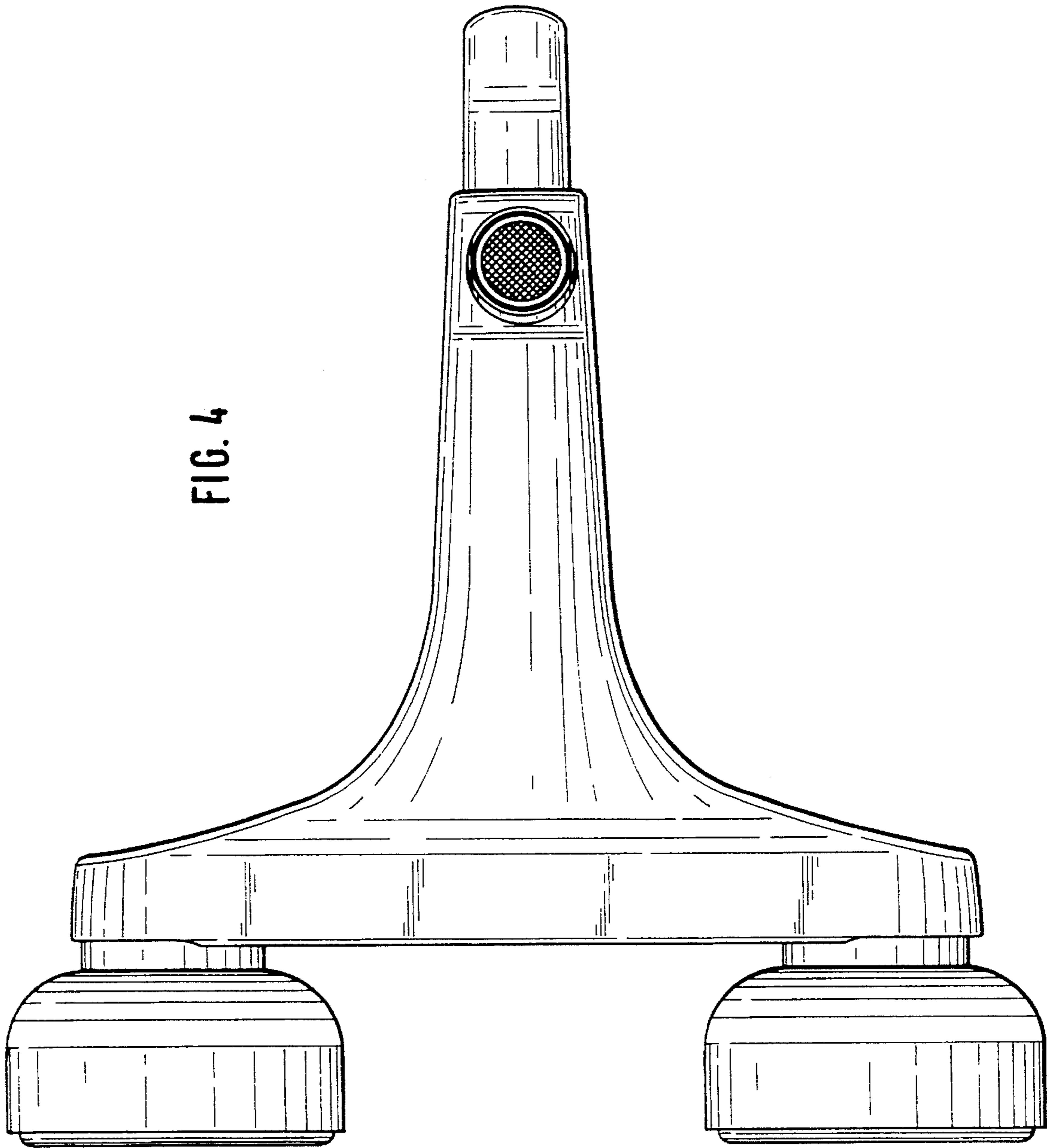


FIG. 5

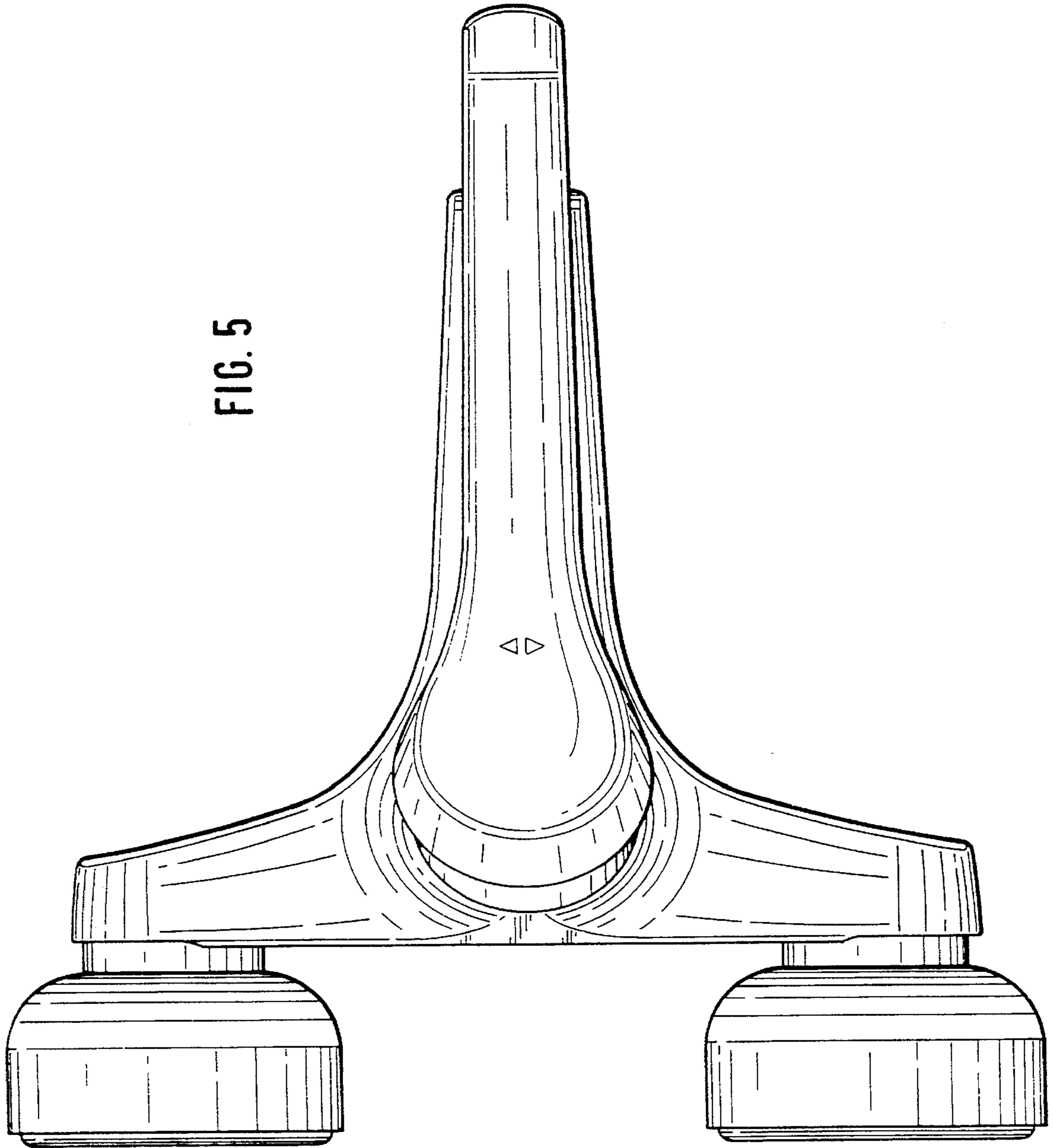


FIG. 6

