



US00D365623S

United States Patent [19]
De Souza

[11] **Patent Number: Des. 365,623**
[45] **Date of Patent: **Dec. 26, 1995**

[54] **WATER PURIFIER**
[75] Inventor: **Dacio M. De Souza**, Sao Paulo, Brazil
[73] Assignee: **Brasfilter Industria E Comercio Ltda.**, Sao Paulo, Brazil
[**] Term: **14 Years**

3,378,170 4/1968 Reynolds et al. 261/DIG. 7
5,082,143 1/1992 Schramm, Jr. 222/129.1 X

Primary Examiner—Cathy Anne MacCormac
Assistant Examiner—Monica A. Hannon
Attorney, Agent, or Firm—Steinberg, Raskin & Davidson

[21] Appl. No.: **27,295**
[22] Filed: **Aug. 18, 1994**
[52] U.S. Cl. **D23/207; D23/209**
[58] **Field of Search** D23/200–209;
210/192, 222, 223, 257.2, 282, 446, 448,
744; 220/1.5, 4.21, 633; 222/185, 189,
129.1; 99/323.1; 261/DIG. 7

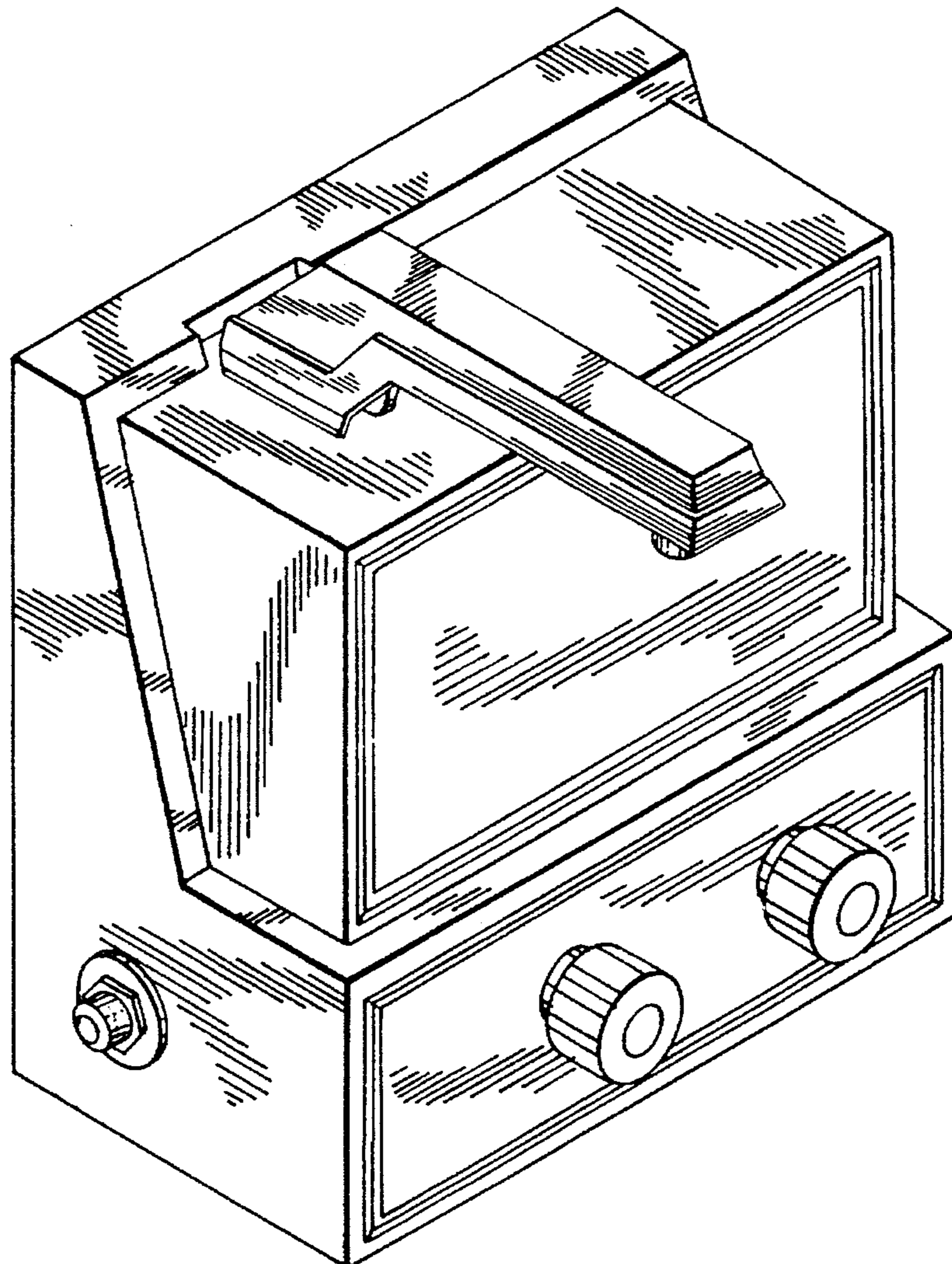
[57] **CLAIM**
The ornamental design for a water purifier, as shown and described.

DESCRIPTION

FIG. 1 is a perspective view of a water purifier showing my new design;
FIG. 2 is a front view thereof;
FIG. 3 is a rear view thereof;
FIG. 4 is a right side view thereof;
FIG. 5 is a left side view thereof;
FIG. 6 is a top view thereof; and,
FIG. 7 is a bottom view thereof.

[56] **References Cited**
U.S. PATENT DOCUMENTS
D. 230,358 2/1974 Mann D23/209
3,343,726 9/1967 Johanningmeier 261/DIG. 7 X
3,355,068 11/1967 Harland et al. 222/129.1 X

1 Claim, 6 Drawing Sheets



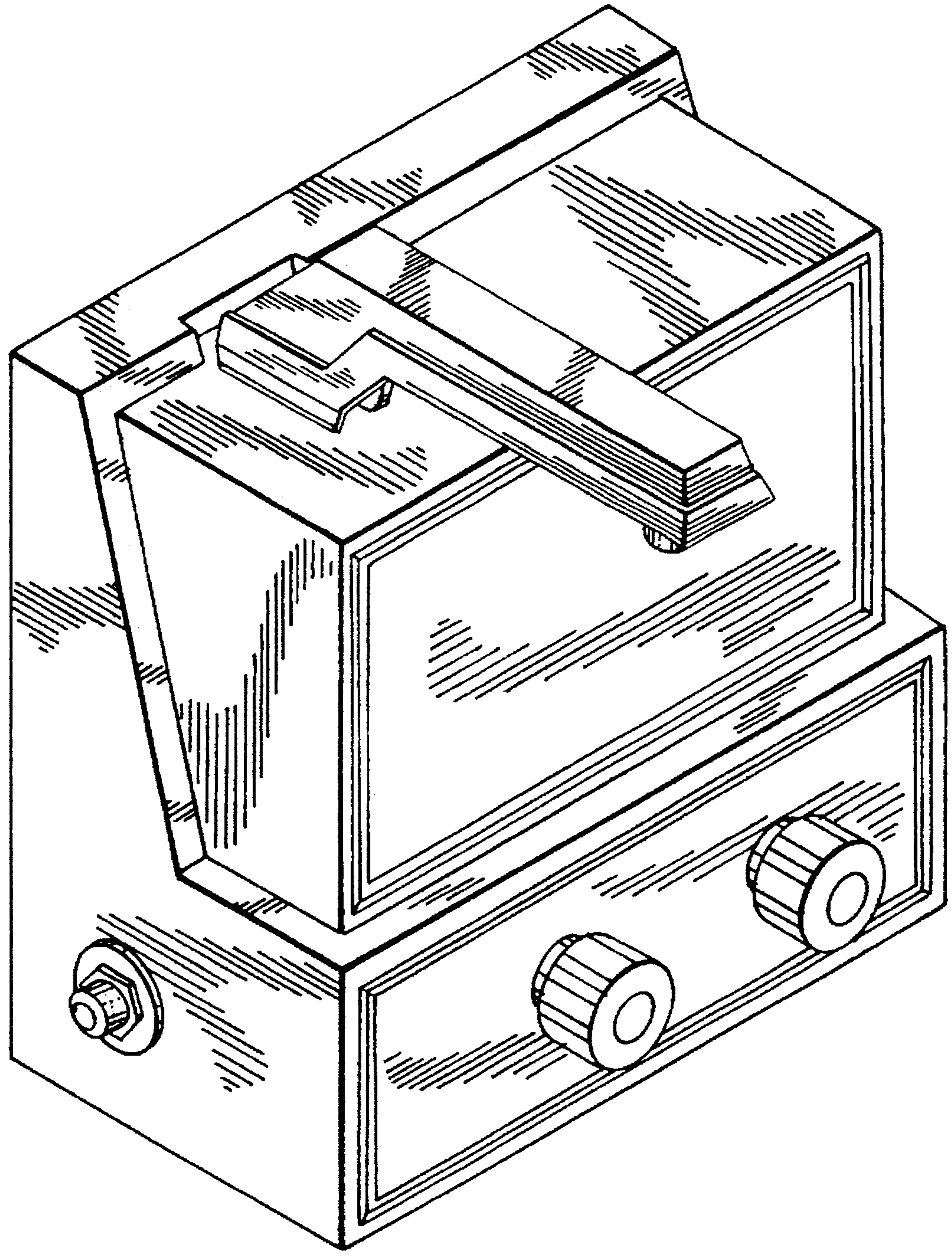


FIG. 1

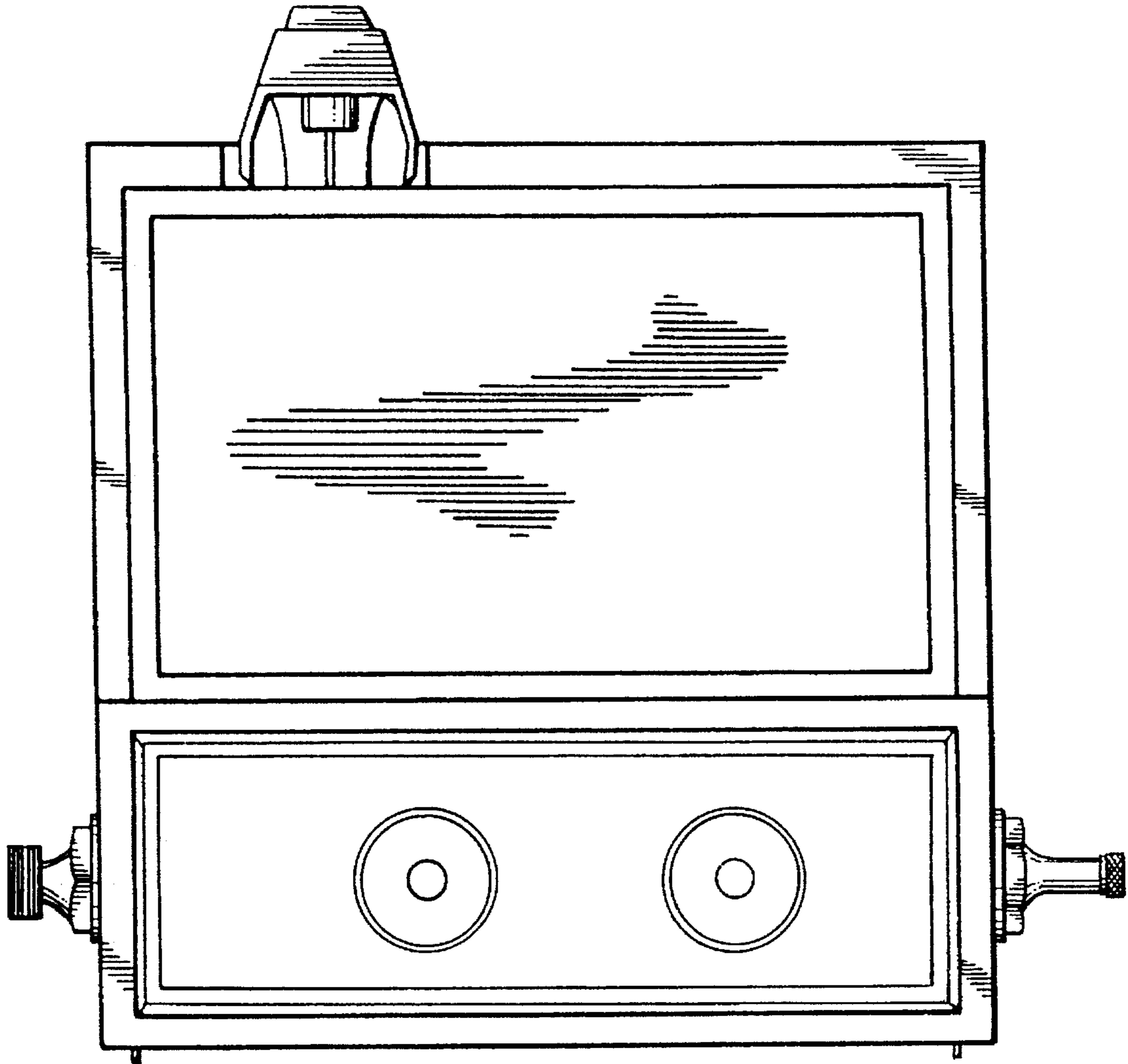


FIG. 2

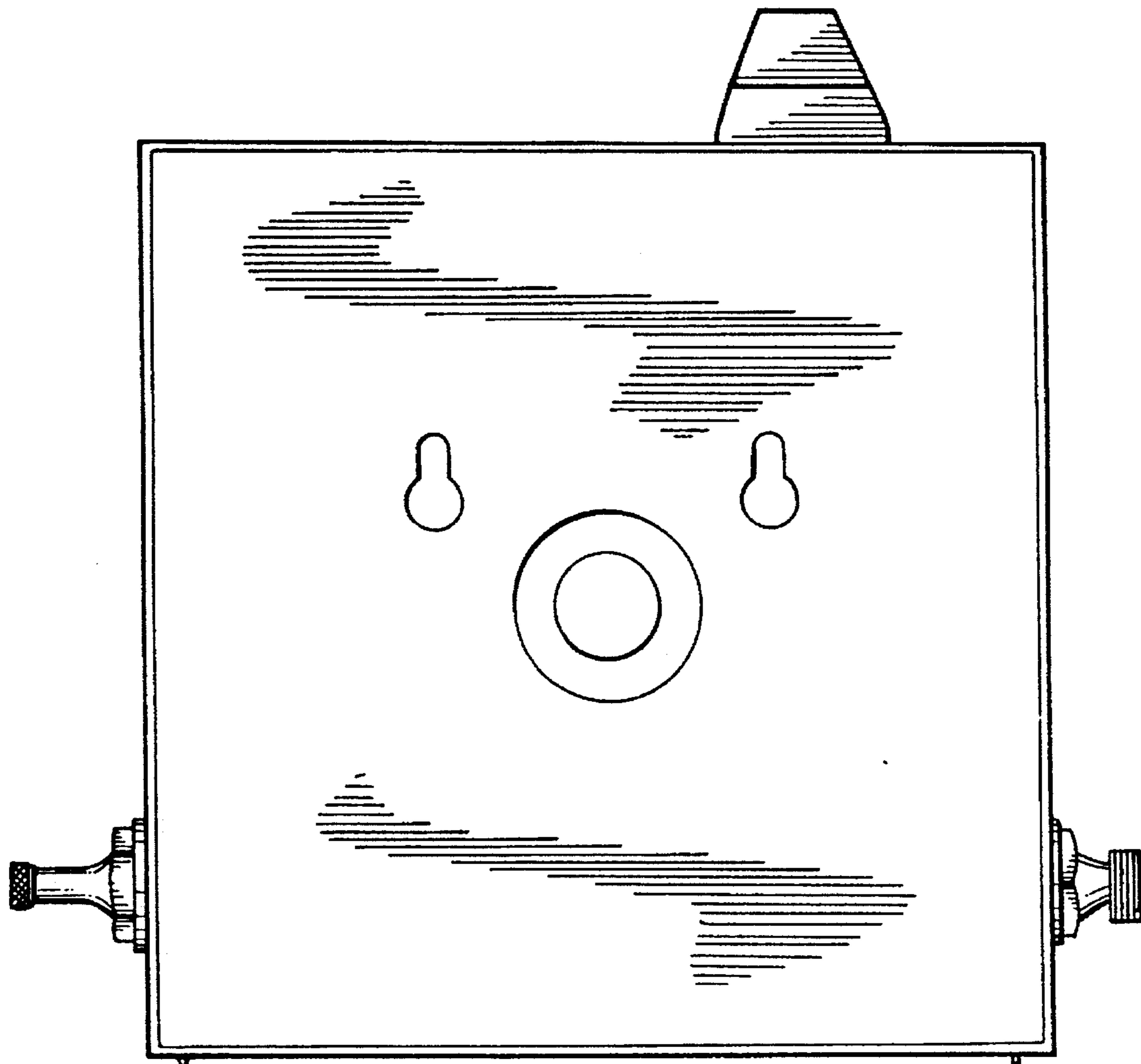


FIG. 3

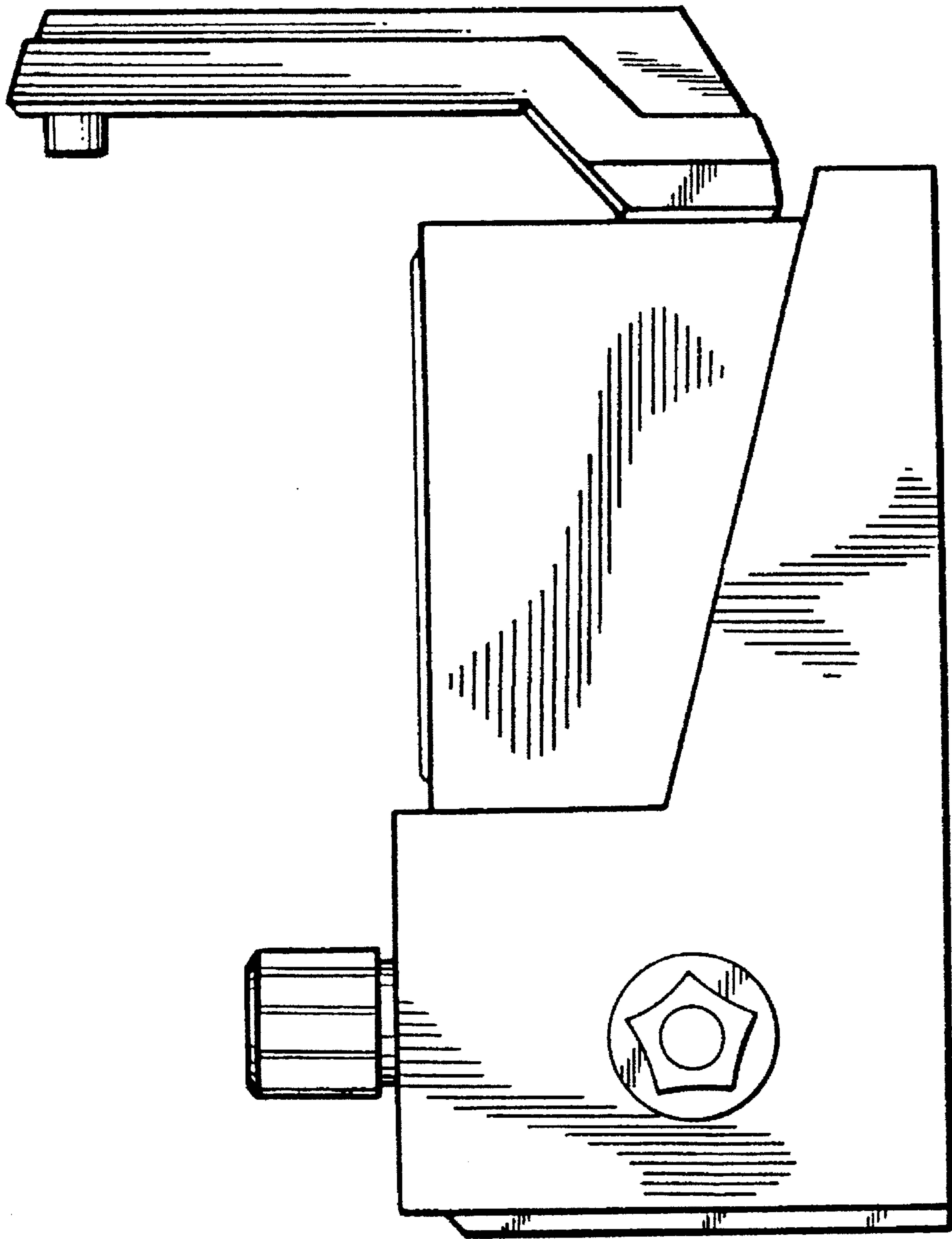


FIG. 4

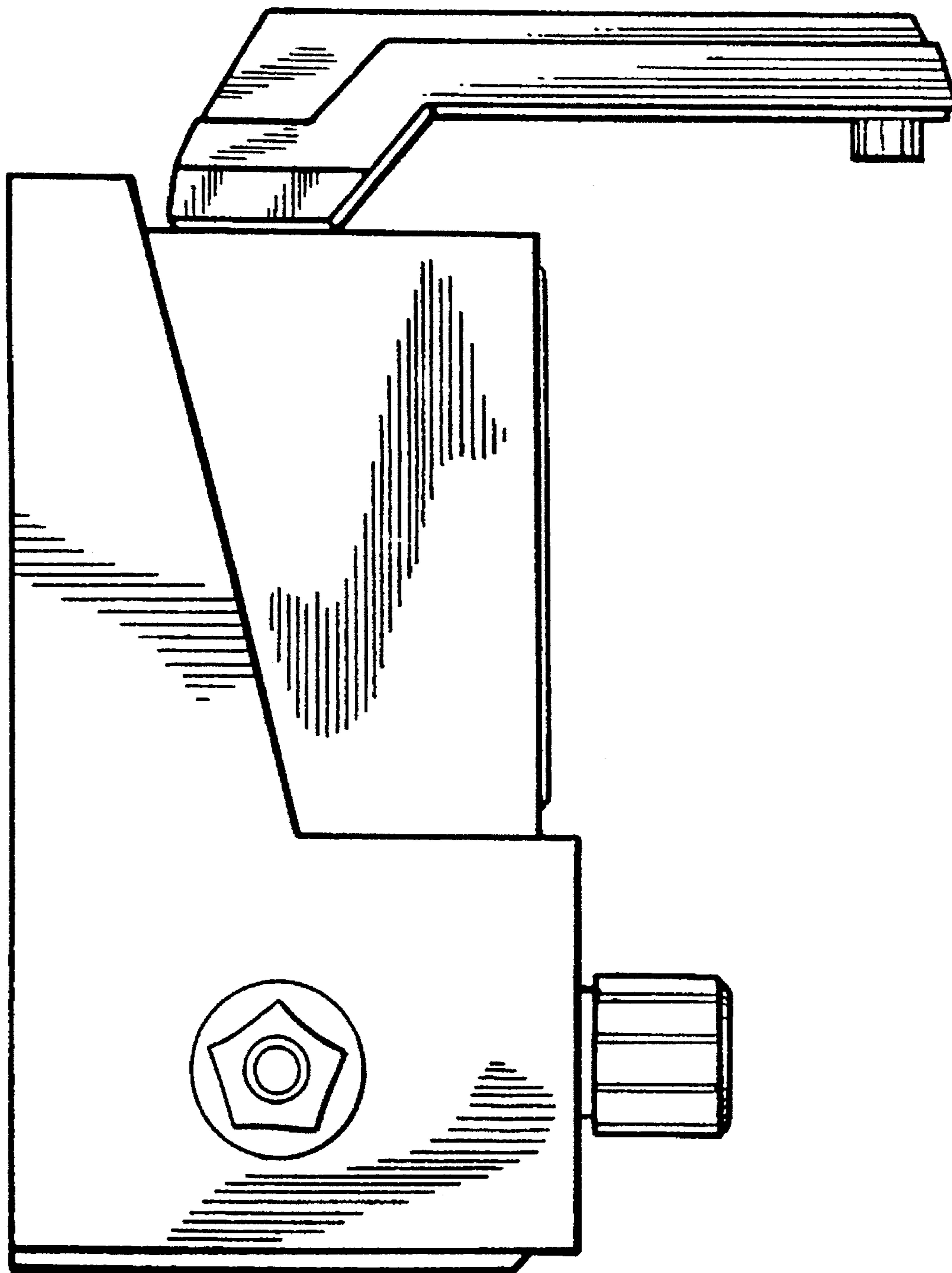


FIG. 5

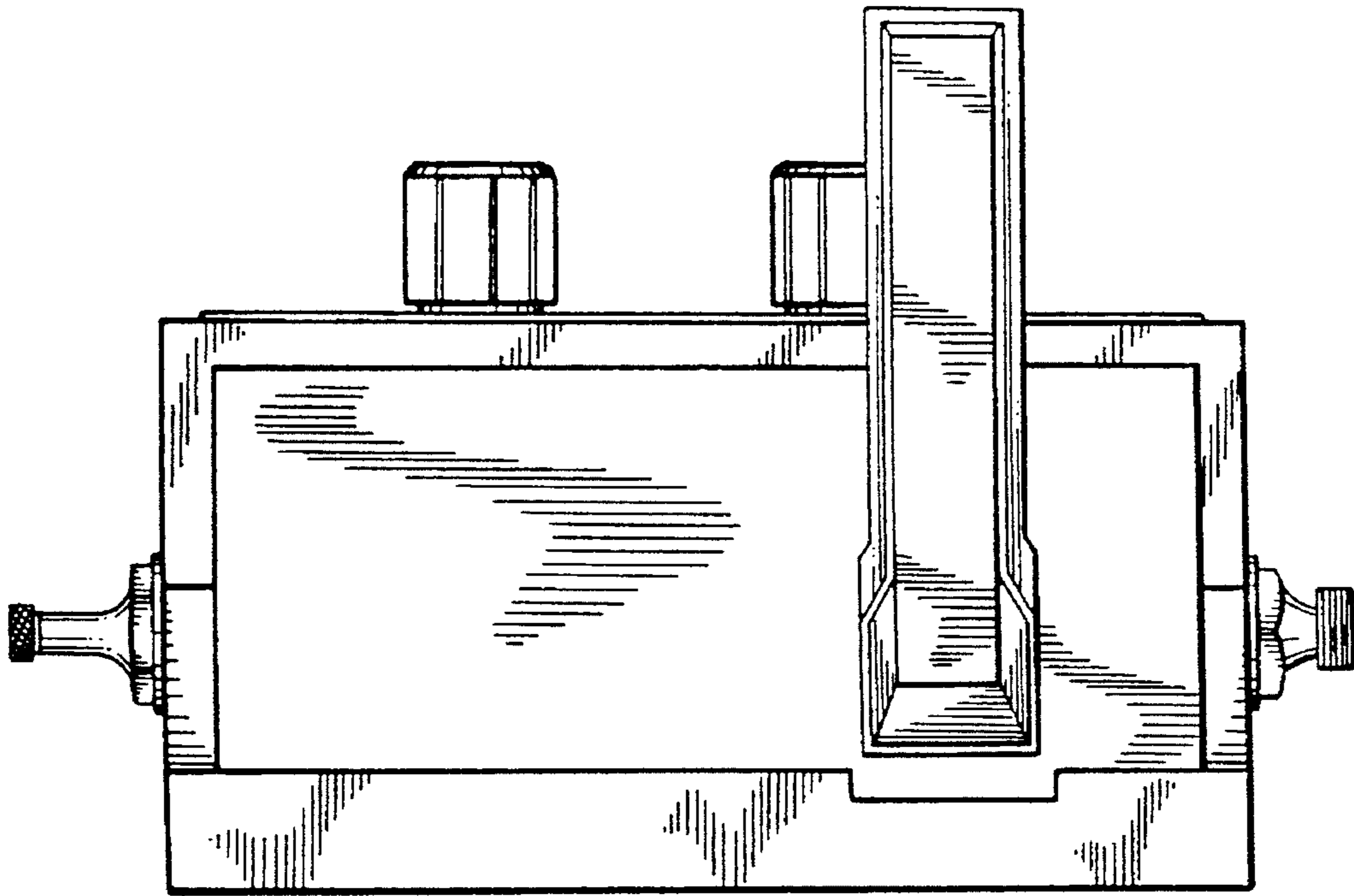


FIG. 6

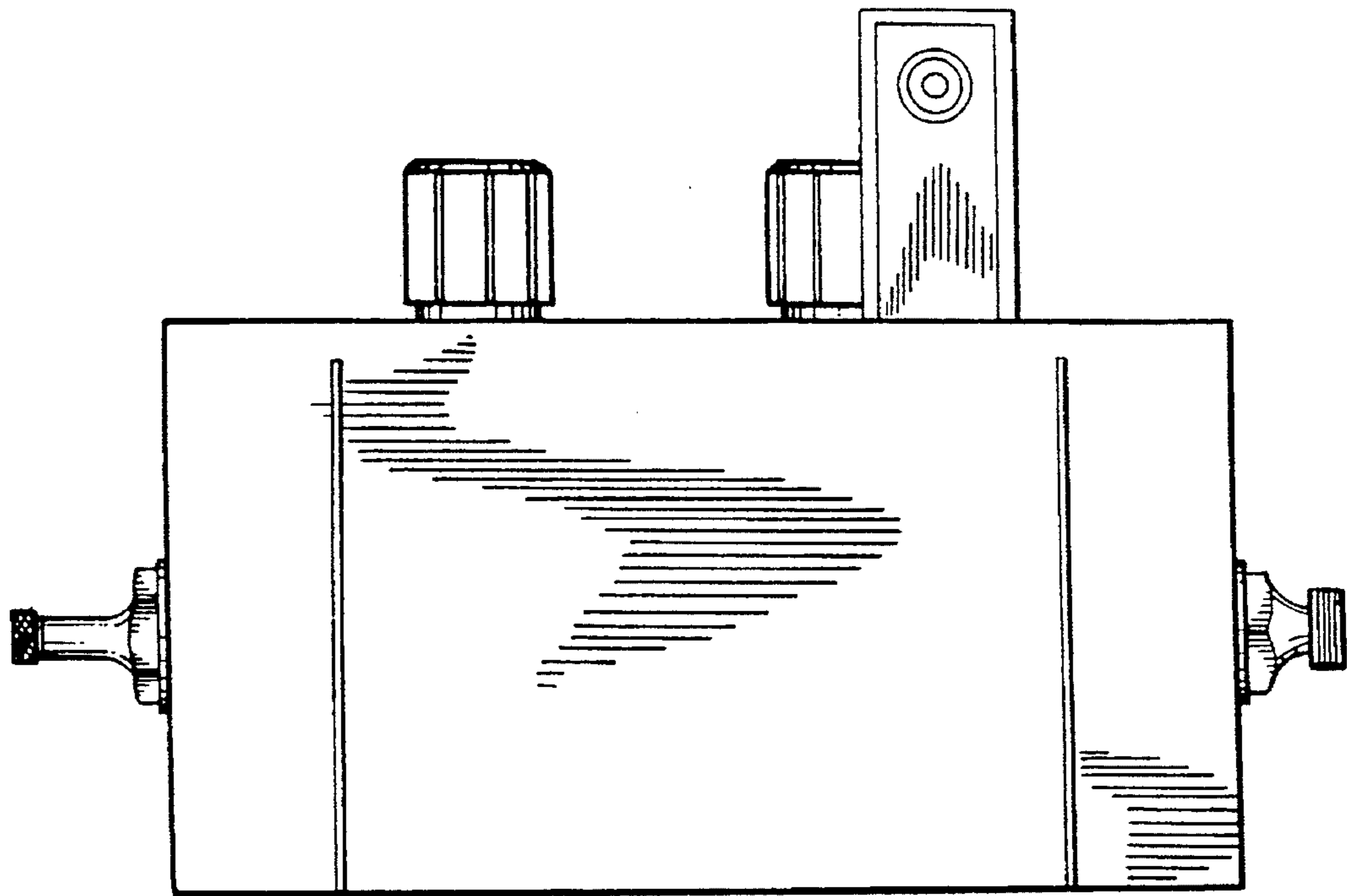


FIG. 7