



US00D365621S

United States Patent [19]

[11] Patent Number: **Des. 365,621**

Coste

[45] Date of Patent: ****Dec. 26, 1995**

[54] COMBINATION FLASHLIGHT AND LASER SIGHT MOUNT

[75] Inventor: **Juergen Coste**, Danville, Calif.

[73] Assignee: **Alpec Team, Inc.**, Livermore, Calif.

[**] Term: **14 Years**

[21] Appl. No.: **35,850**

[22] Filed: **Mar. 8, 1995**

[52] U.S. Cl. **D22/109**; D16/132

[58] Field of Search D22/104, 107, D22/108, 109; 42/100, 101, 103; 33/245, 246; 362/110, 111, 112, 113, 114; D16/130-136

[56] References Cited

U.S. PATENT DOCUMENTS

D. 138,423	8/1944	Mossberg	D22/109
2,546,243	3/1951	Stinson	42/103 X
5,033,219	7/1991	Johnson et al.	42/103
5,359,779	11/1994	Polk et al.	42/103 X
5,400,540	3/1995	Solinsky et al.	42/103

FOREIGN PATENT DOCUMENTS

202540	10/1908	Germany	362/110
--------	---------	---------	-------	---------

OTHER PUBLICATIONS

Alpec Team, Inc. Catalog A, Jan. 1995.

Primary Examiner—Lou Zarfaz

Assistant Examiner—Monica A. Hannon

Attorney, Agent, or Firm—Townsend and Townsend and Crew

[57] CLAIM

The ornamental design for a combination flashlight and laser sight mount, as shown and described.

DESCRIPTION

FIG. 1 is a perspective view of a combination flashlight and laser sight mount showing my new design;

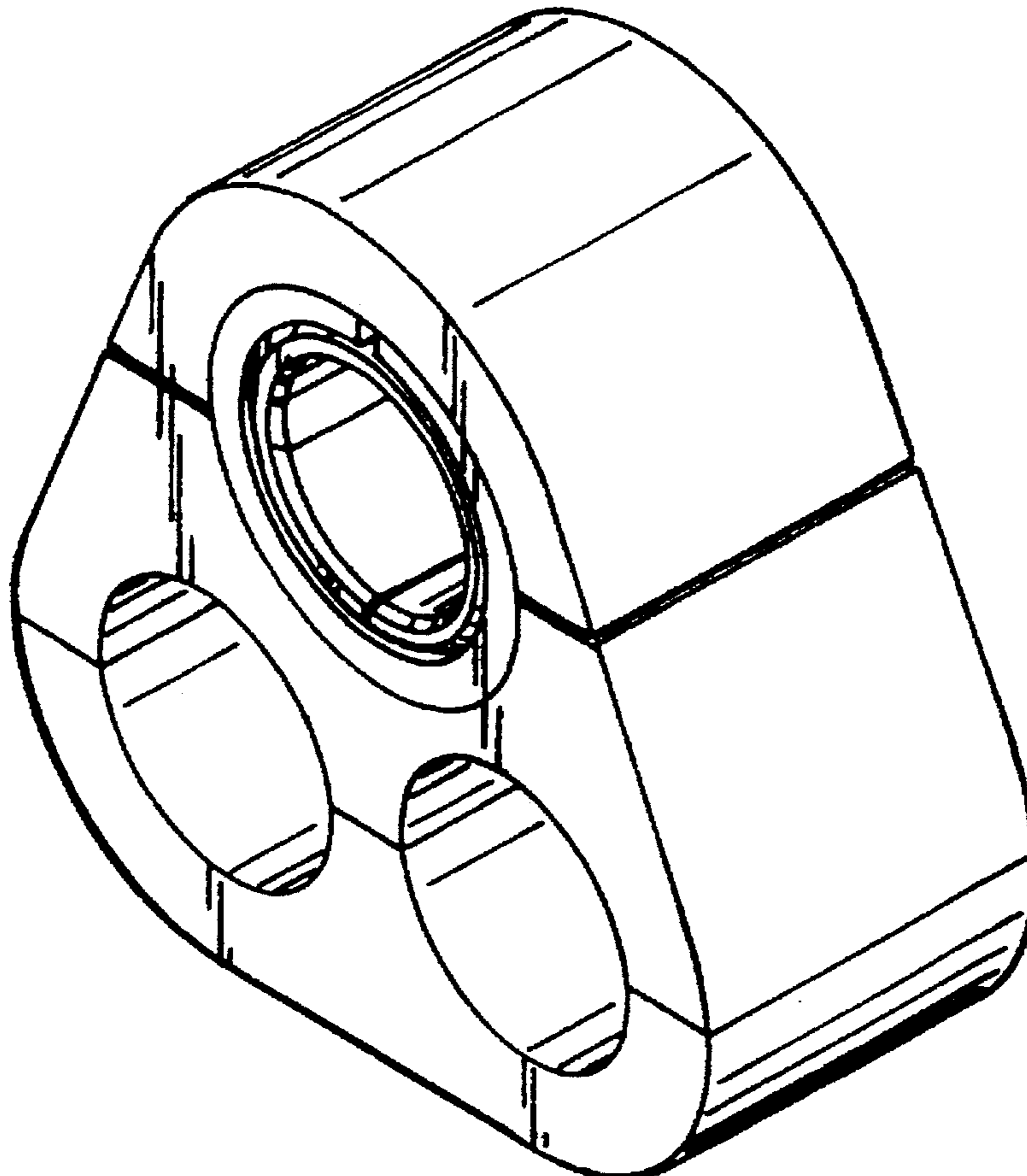
FIG. 2 is a top plan view thereof;

FIG. 3 is a front elevational view thereof, the rear elevational view being a mirror image;

FIG. 4 is a right side elevational view, the left side elevational view being a mirror image; and,

FIG. 5 is a bottom plan view thereof.

1 Claim, 1 Drawing Sheet



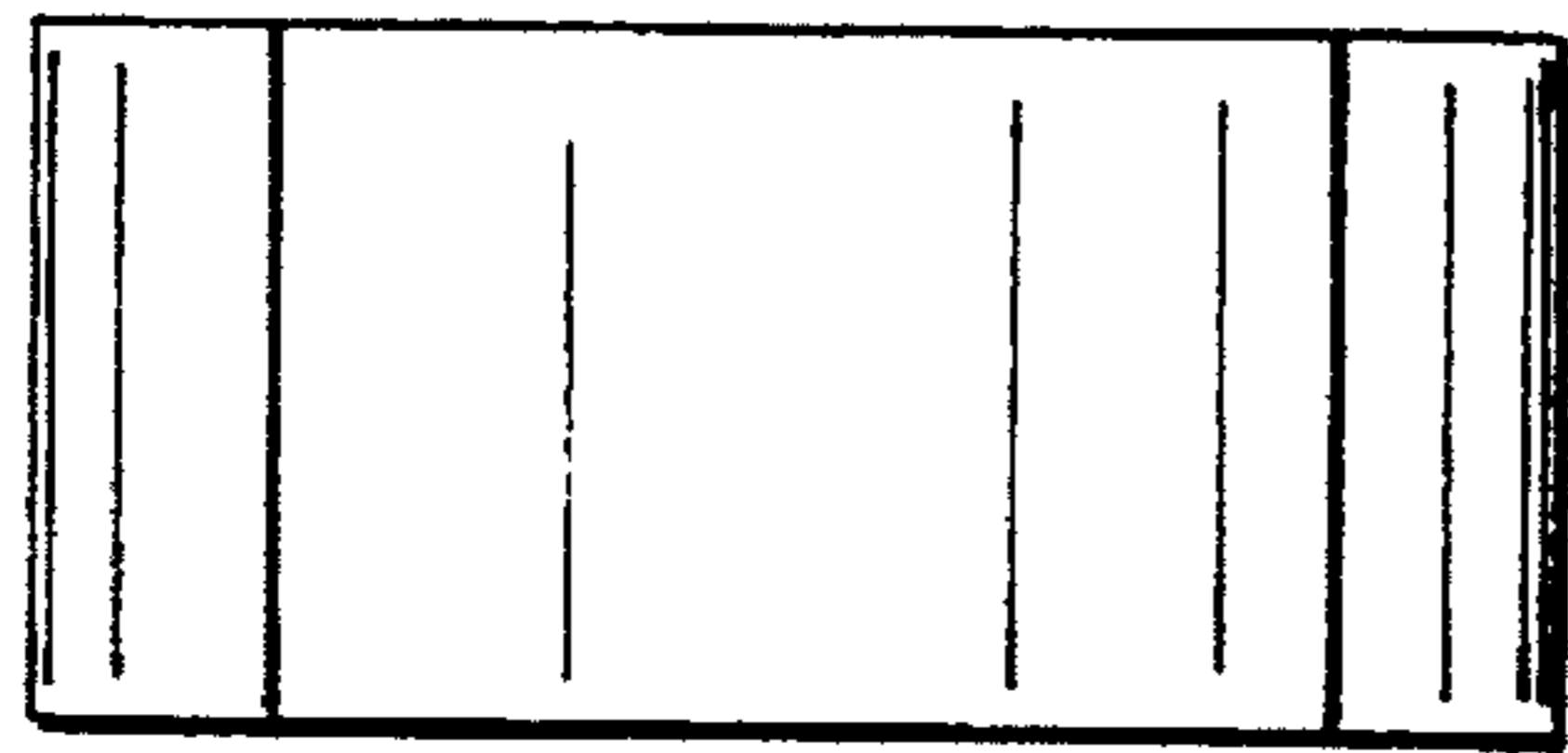


FIG. 2.

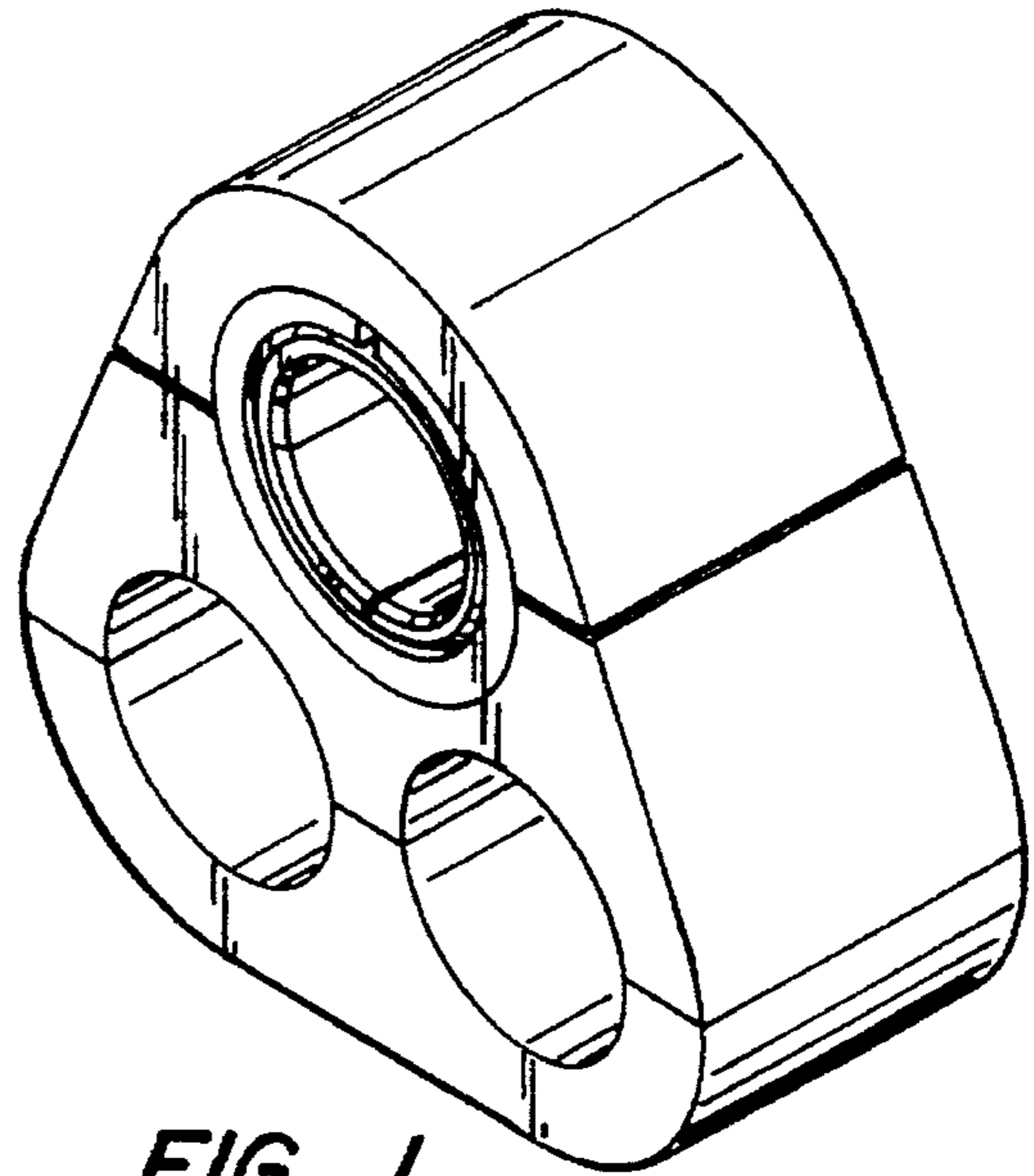


FIG. 1.

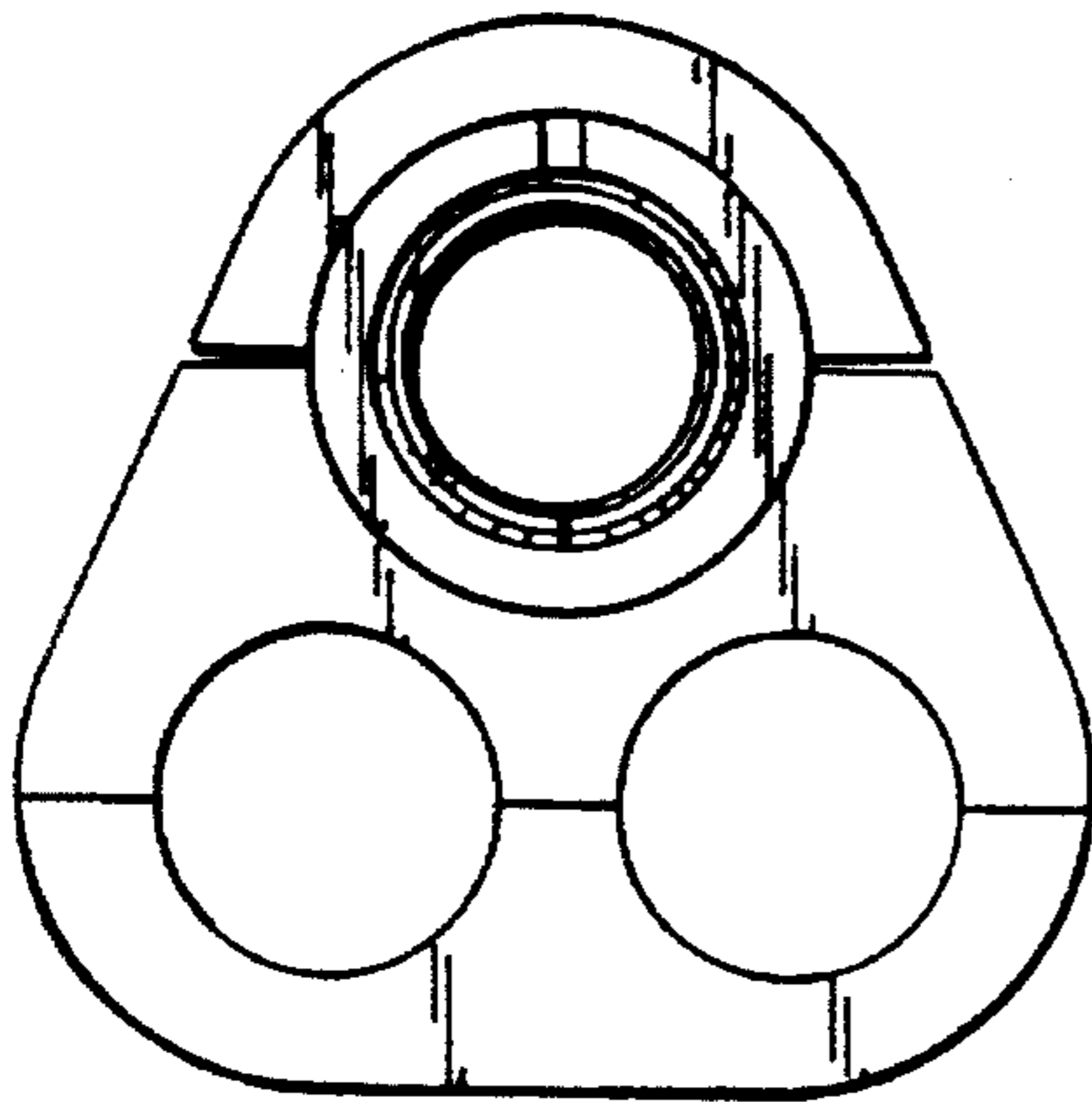


FIG. 3.

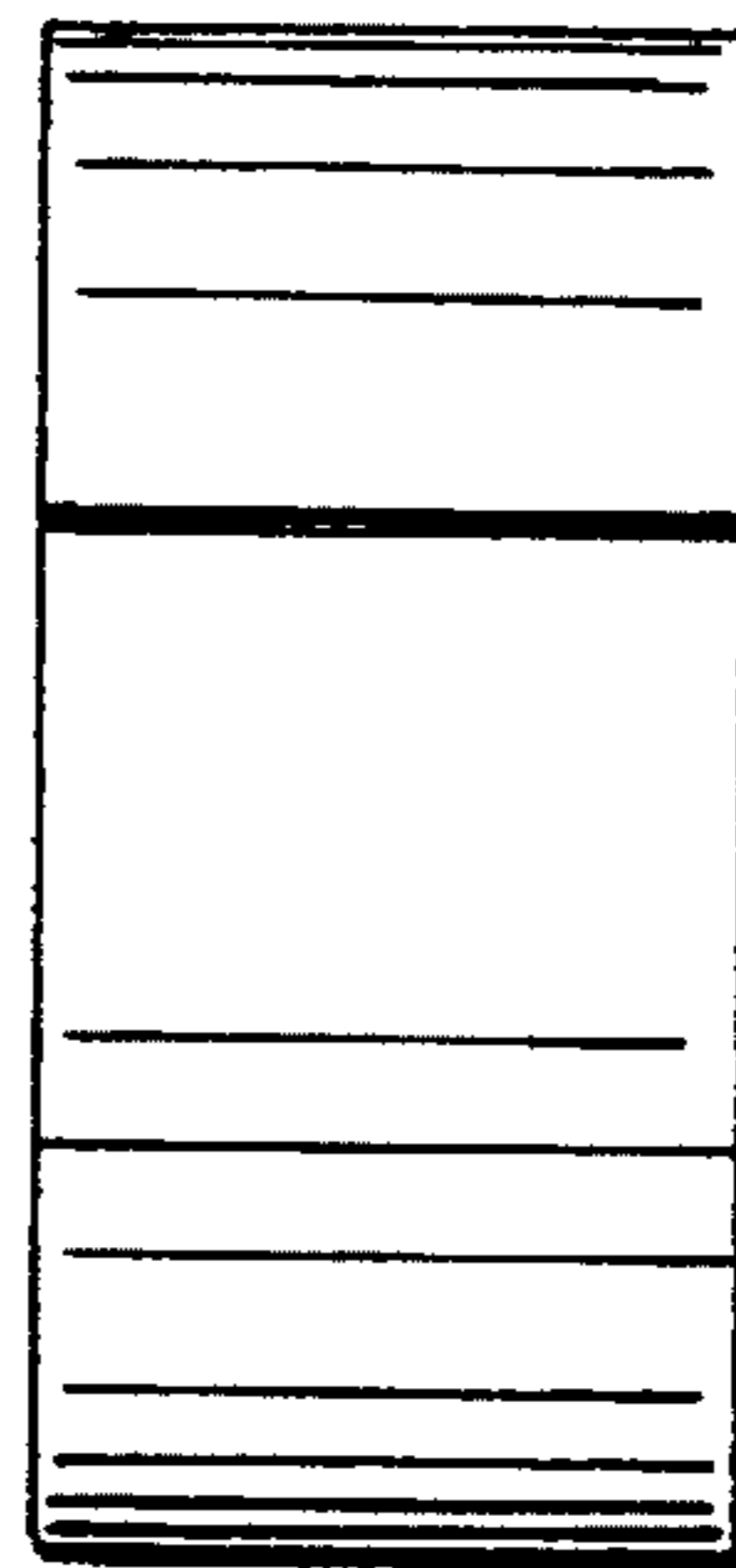


FIG. 4.

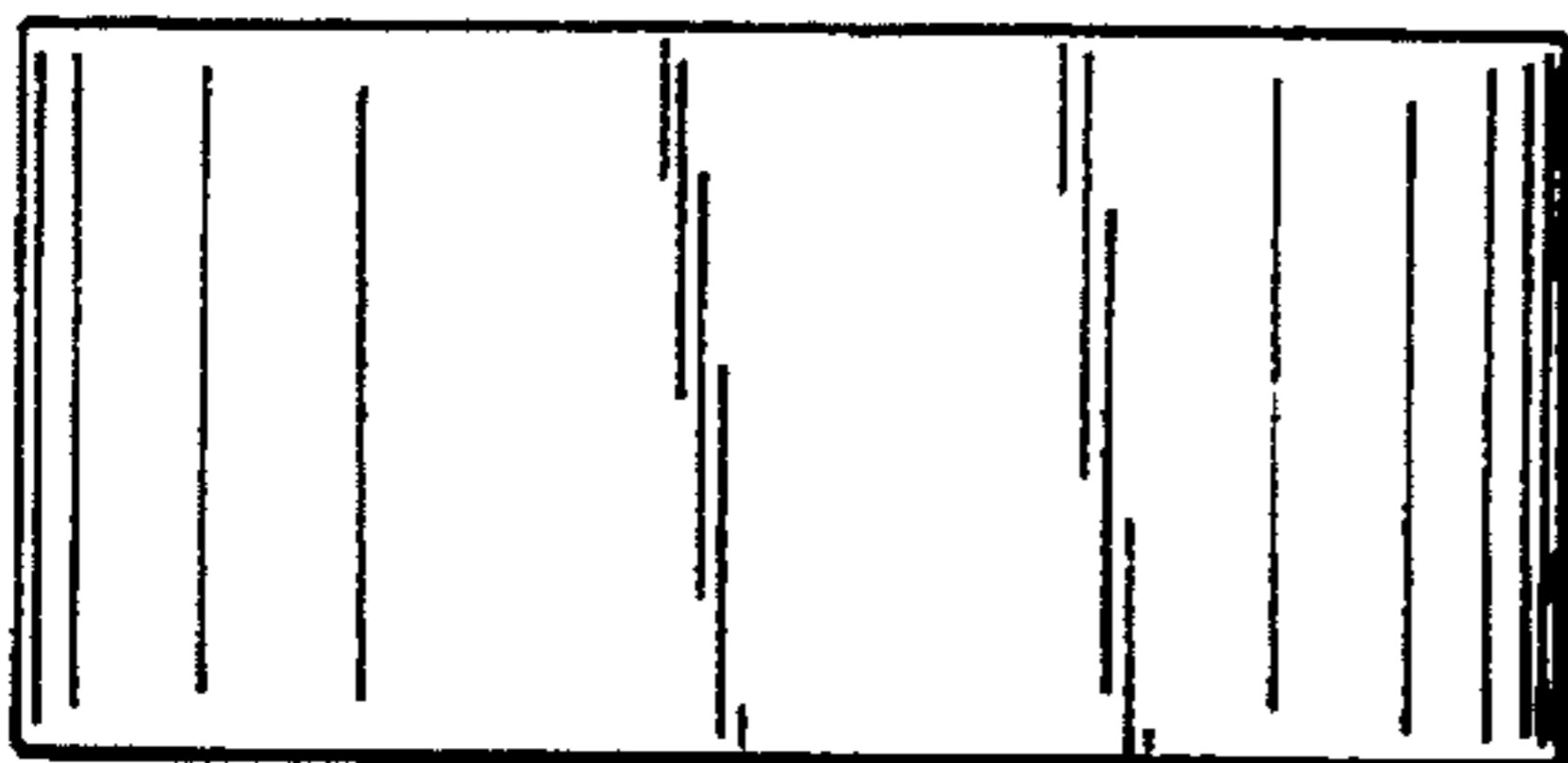


FIG. 5.