



US00D365618S

United States Patent [19]
King et al.

[11] **Patent Number: Des. 365,618**

[45] **Date of Patent: **Dec. 26, 1995**

[54] **COMBINED PUTTER AND VENT**

[76] Inventors: **Jimmy W. King; Annie L. King**, both
of 2417 Elliot St., Decatur, Ala. 35601

[**] Term: **14 Years**

[21] Appl. No.: **27,408**

[22] Filed: **Aug. 18, 1994**

[52] U.S. Cl. **D21/234; D23/389; D23/393**

[58] **Field of Search** D21/234, 8; 273/178 R,
273/178 A, 178 B, 180, 34 R, 34 A, 34 B;
454/289, 290, 291; D23/388, 389, 393

[56] **References Cited**

U.S. PATENT DOCUMENTS

D. 164,166	8/1951	Griswold	D21/234
D. 315,790	3/1991	Koessler	D23/388
D. 340,964	11/1993	Dunphy	D21/234
D. 353,193	12/1994	Porter	D23/393
4,275,886	6/1981	Bannon .	
4,826,174	5/1989	Hoyt, Jr. .	

4,997,189	3/1991	Perkins .	
5,042,814	8/1991	Bennett .	
5,120,063	6/1992	Birchler et al. .	
5,275,405	1/1994	Ridge .	
5,312,298	5/1994	Myers	454/290

Primary Examiner—Ted Shooman
Assistant Examiner—Cheri Cohen
Attorney, Agent, or Firm—Dennis H. Lambert

[57] **CLAIM**

The ornamental design for a combined putter and vent, as shown and described.

DESCRIPTION

FIG. 1 is a perspective view of a combined putter and vent showing our new design;

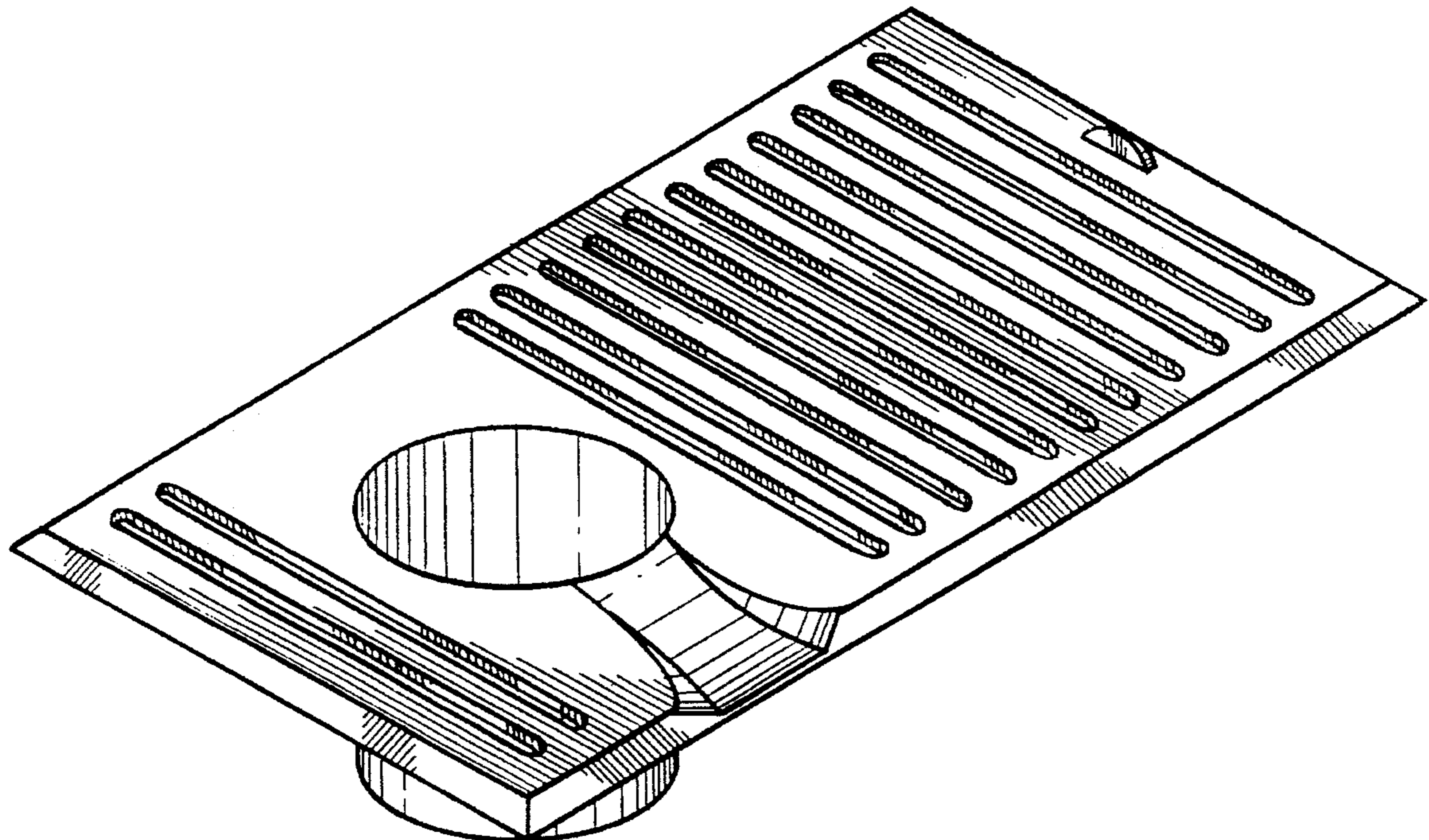
FIG. 2 is a front elevational view thereof;

FIG. 3 is an end elevational view thereof, the opposite end being a mirror image thereof;

FIG. 4 is a top plan view thereof; and,

FIG. 5 is a bottom plan view thereof.

1 Claim, 3 Drawing Sheets



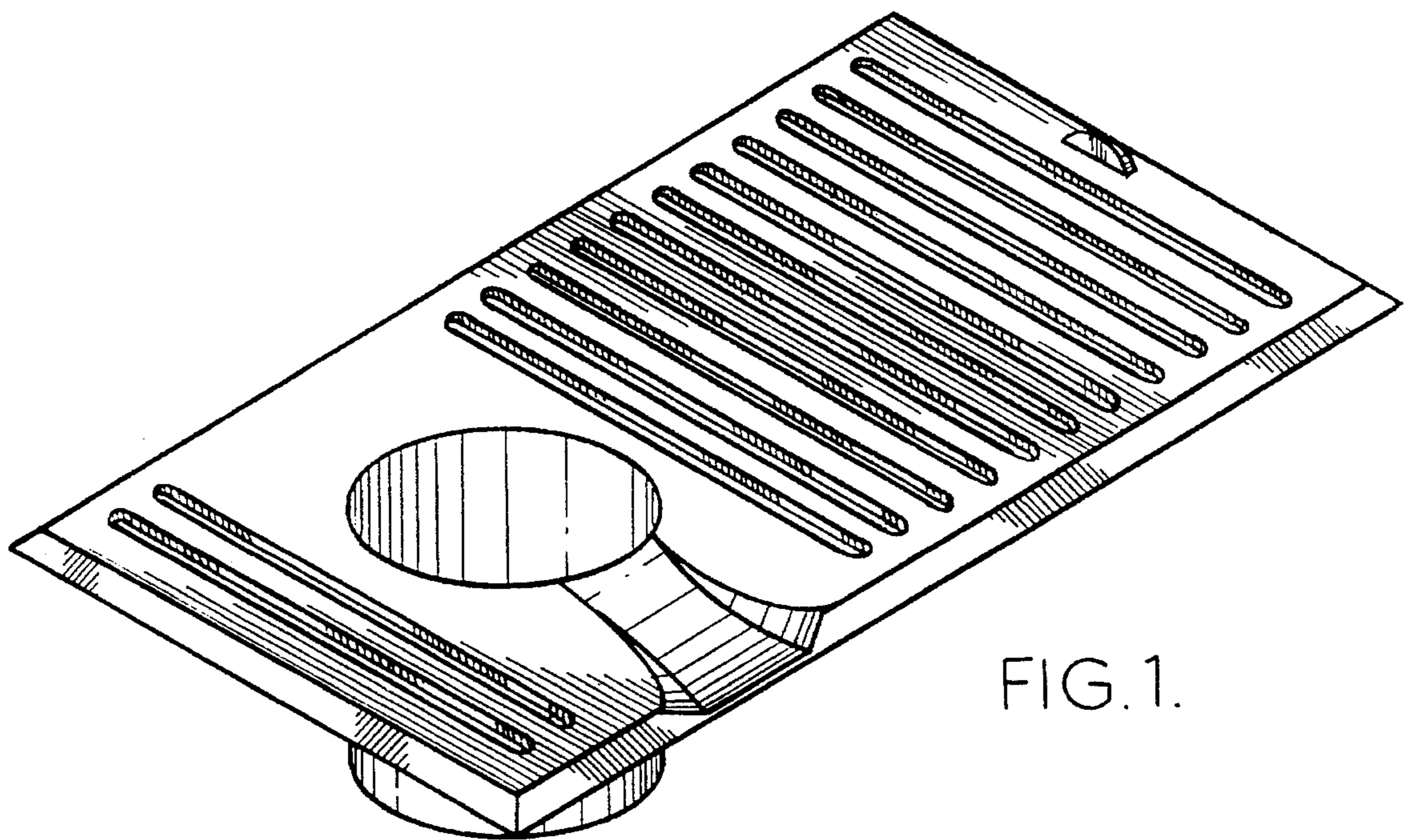


FIG. 1.

FIG. 4.

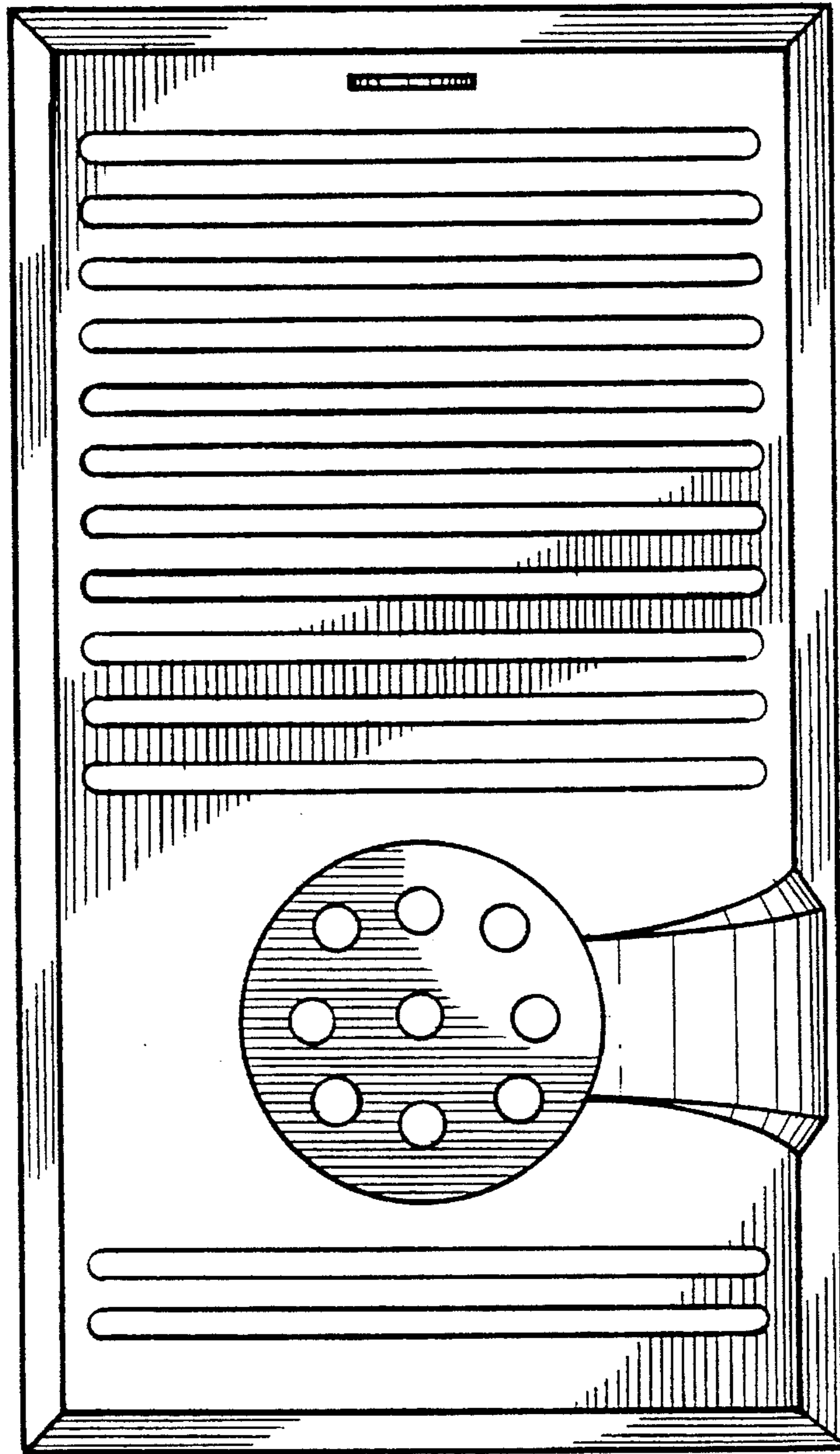


FIG. 2.

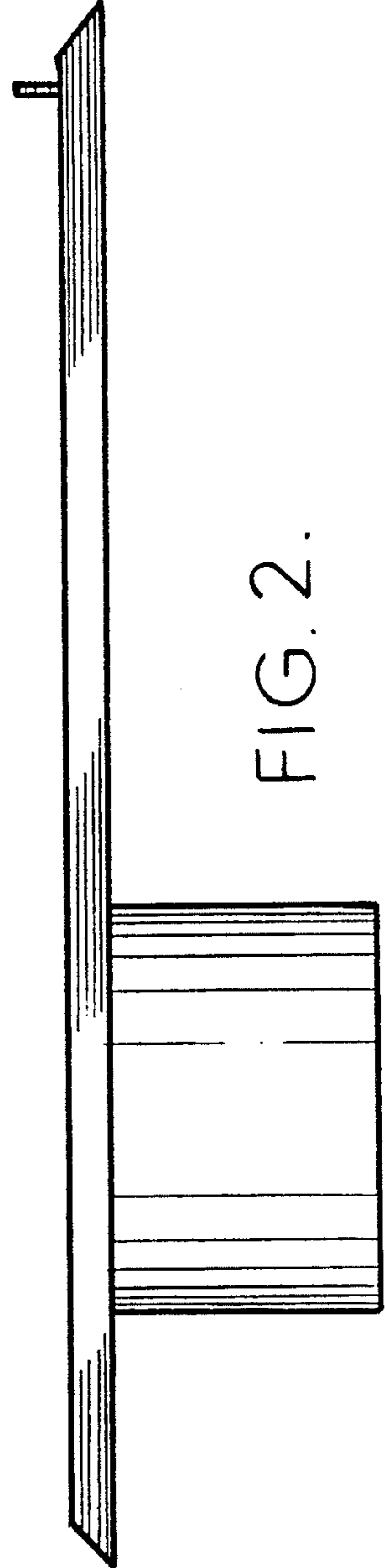


FIG. 5.

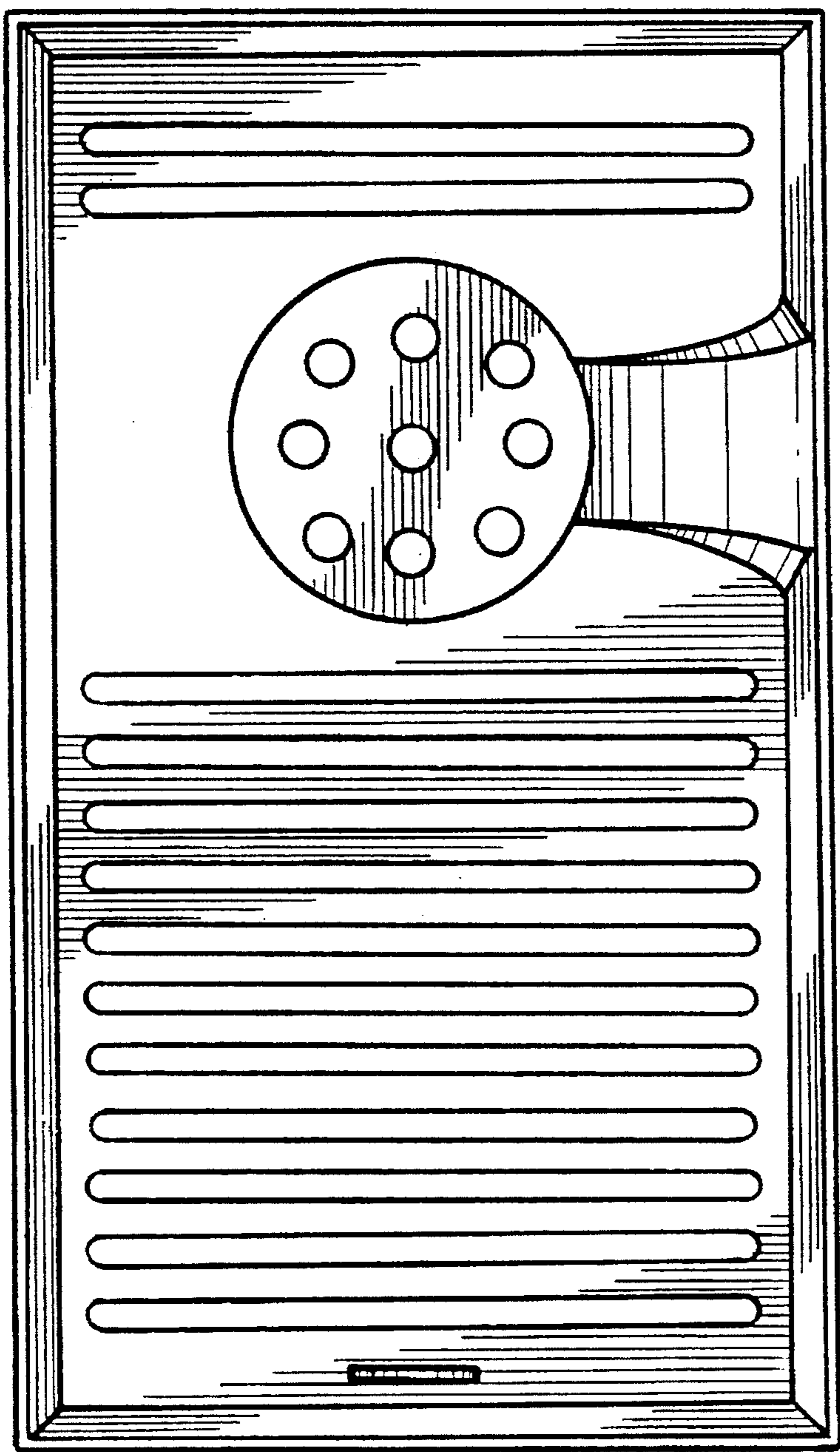


FIG. 3.

