



US00D365611S

United States Patent [19] Hung

[11] Patent Number: **Des. 365,611**

[45] Date of Patent: ****Dec. 26, 1995**

[54] **EXERCISER TREADMILL**

5,102,380 4/1992 Jacobson et al. 482/54

[76] Inventor: **Michael Hung**, 9-16, Nan Kan Hsia,
Nan Kan, Lu Chu Hsiang, Tao Yuan
County, Taiwan

[**] Term: **14 Years**

[21] Appl. No.: **25,501**

[22] Filed: **Jul. 5, 1994**

[52] U.S. Cl. **D21/192**

[58] Field of Search D21/191, 192,
D21/195; 482/51, 54

[56] **References Cited**

U.S. PATENT DOCUMENTS

D. 313,826	1/1991	Birrell et al.	D21/192
D. 318,699	7/1991	Jacobson et al.	D21/192
D. 323,199	1/1992	Dalebout et al.	D21/192
D. 330,399	10/1992	Furline	D21/192
D. 333,330	2/1993	Clem	D21/192
D. 344,557	2/1994	Ashby	D21/192
4,842,266	6/1989	Sweeney, Sr. et al.	482/54

OTHER PUBLICATIONS

Service Merchandise Catalog, 1993, p. 499, Treadmills.

Primary Examiner—Ted Shooman

Assistant Examiner—Philip Hyder

Attorney, Agent, or Firm—Wenderoth, Lind & Ponack

[57] **CLAIM**

The ornamental design for an exerciser treadmill, as shown and described.

DESCRIPTION

FIG. 1 is a top, right front perspective view of an exerciser treadmill showing my new design;

FIG. 2 is a front elevational view thereof;

FIG. 3 is a rear elevational view thereof;

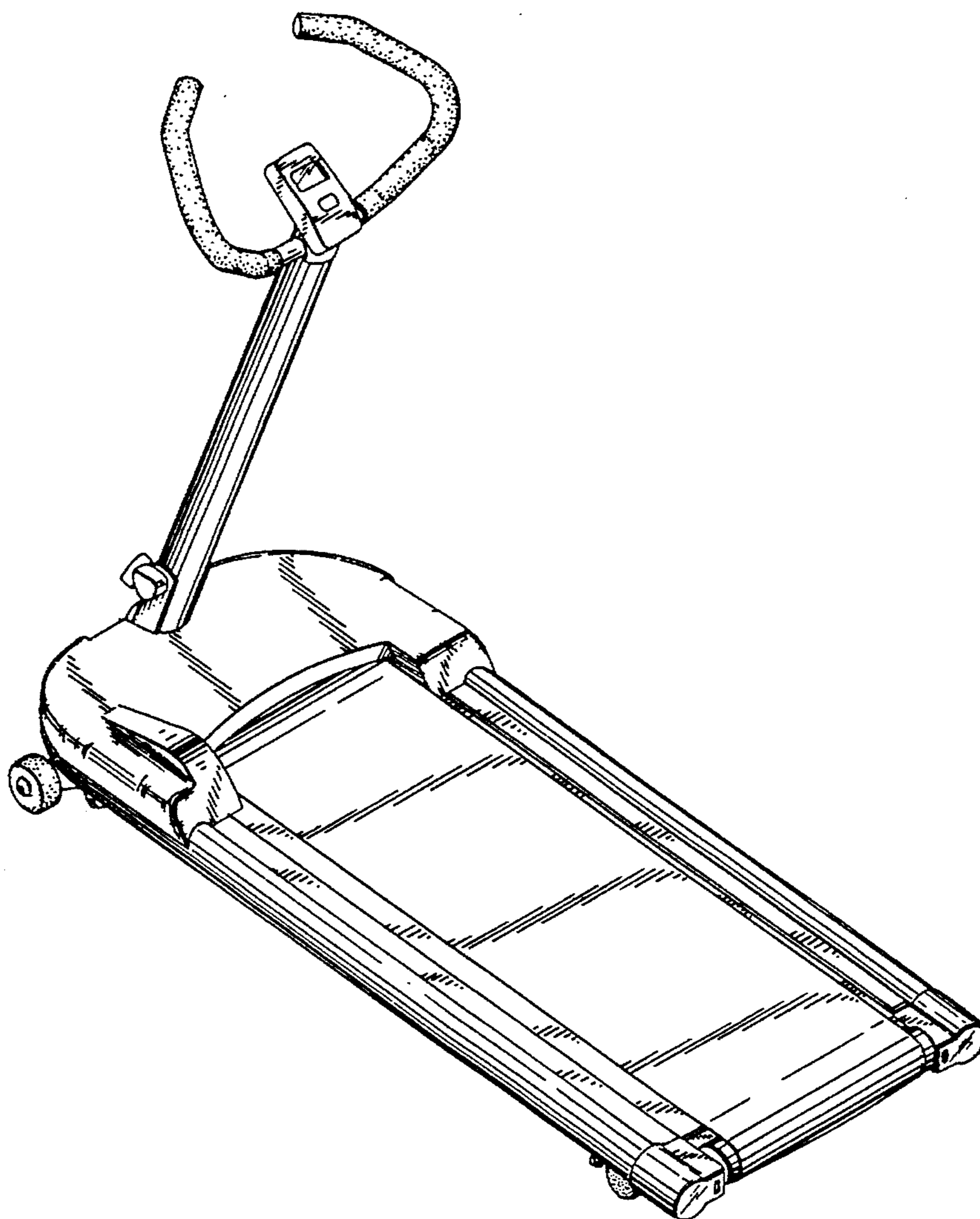
FIG. 4 is a left side elevational view thereof;

FIG. 5 is a right side elevational view thereof;

FIG. 6 is a top plan view thereof; and,

FIG. 7 is a bottom plan view thereof.

1 Claim, 5 Drawing Sheets



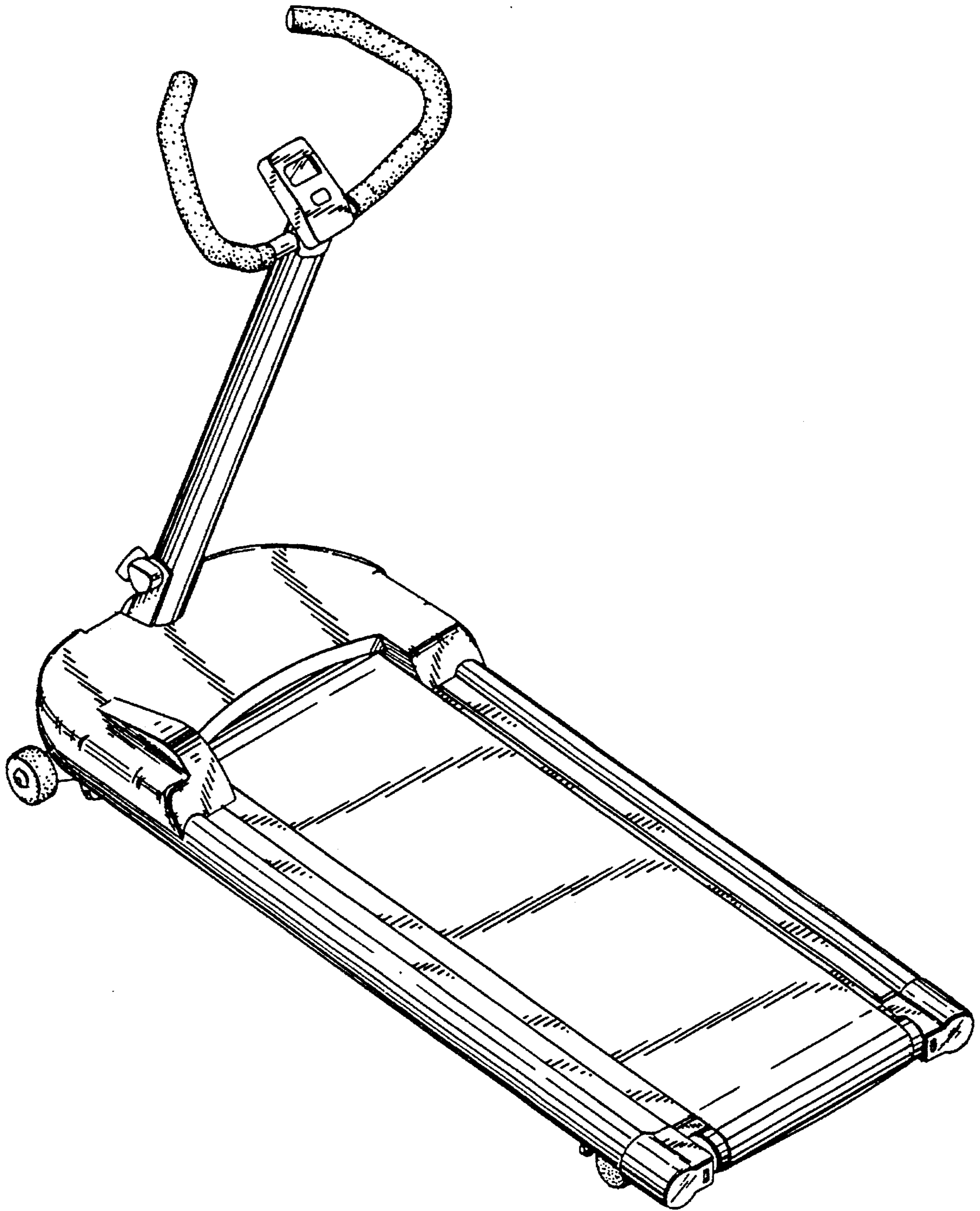
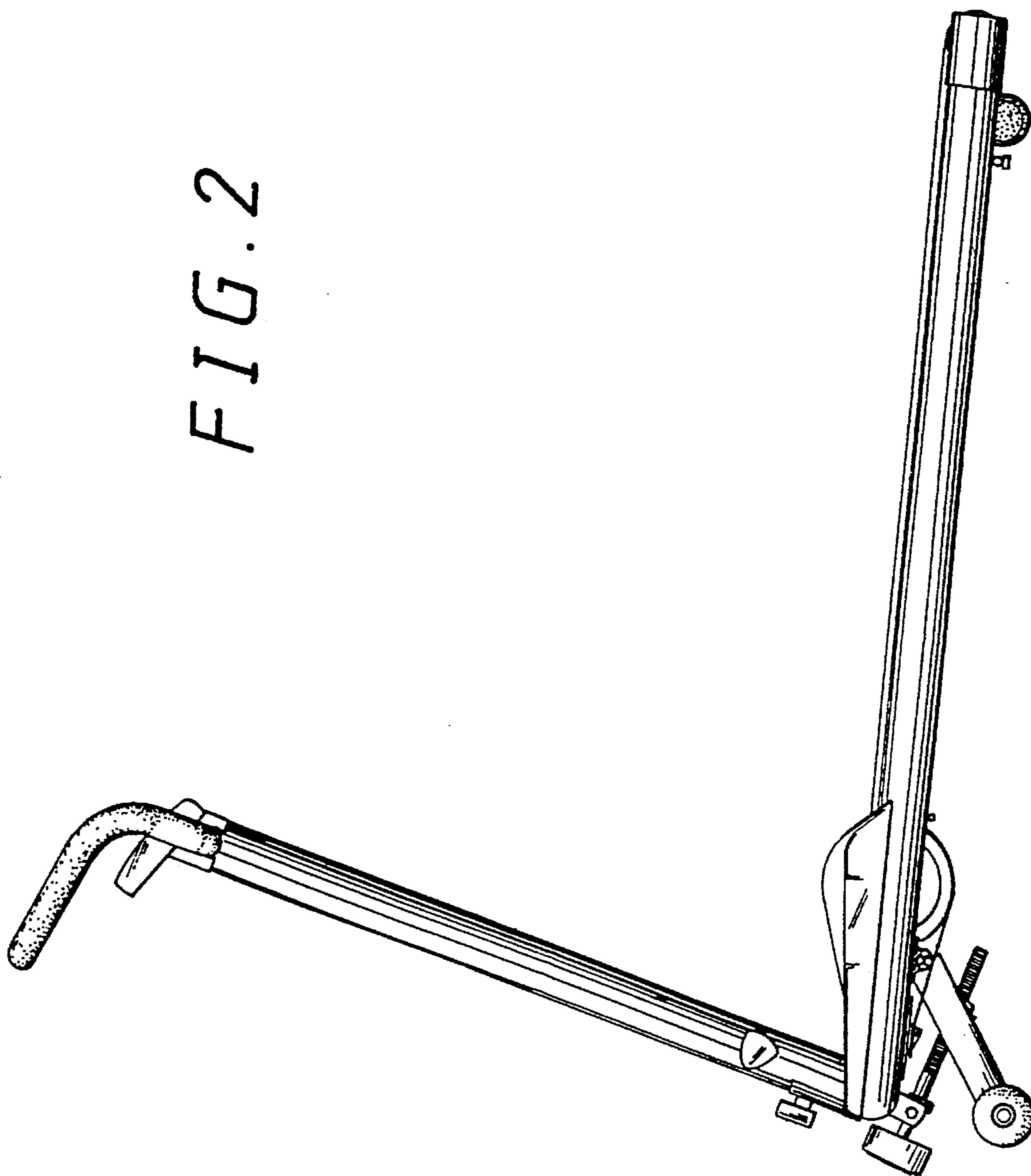


FIG. 1

FIG. 2



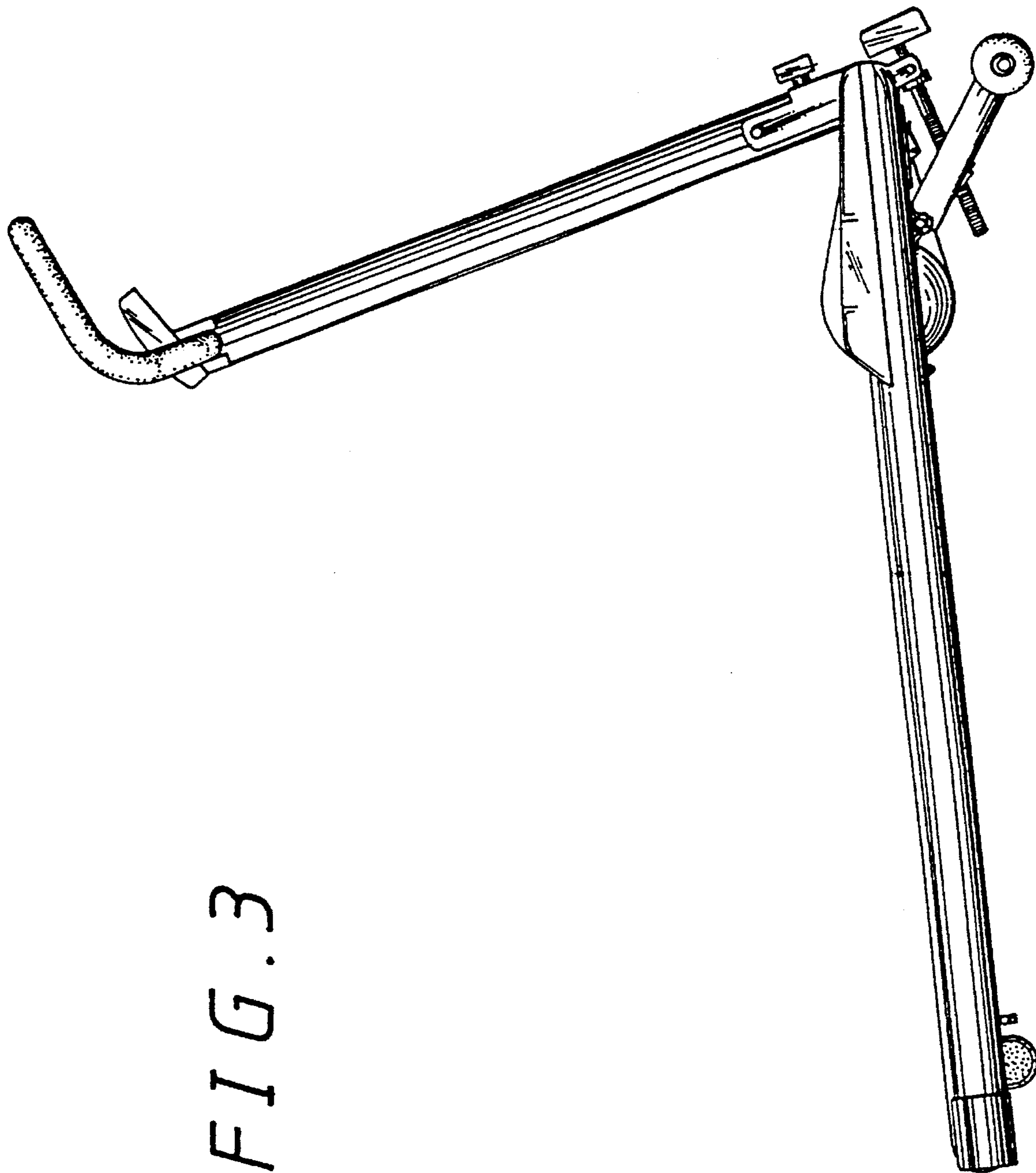


FIG. 3

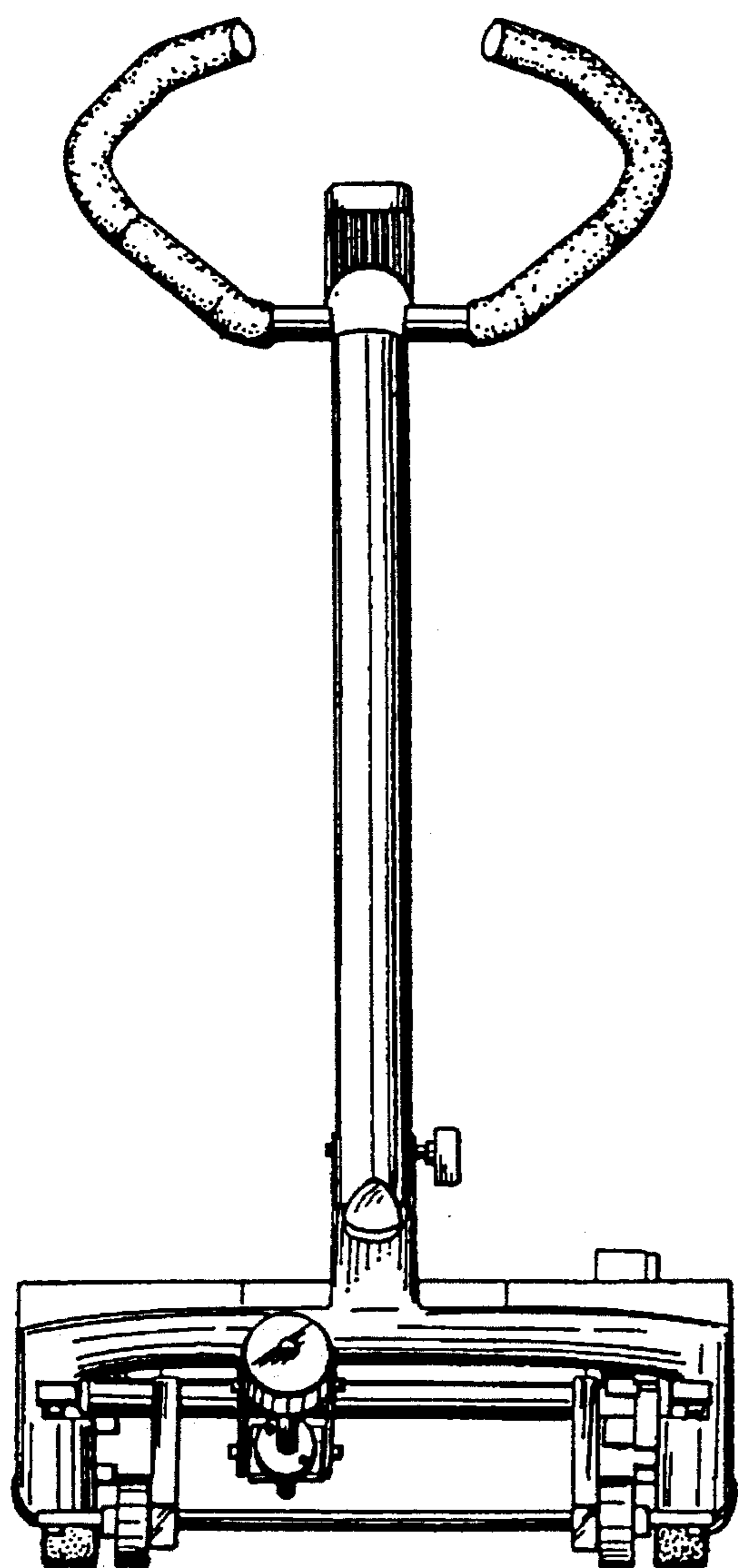


FIG. 4

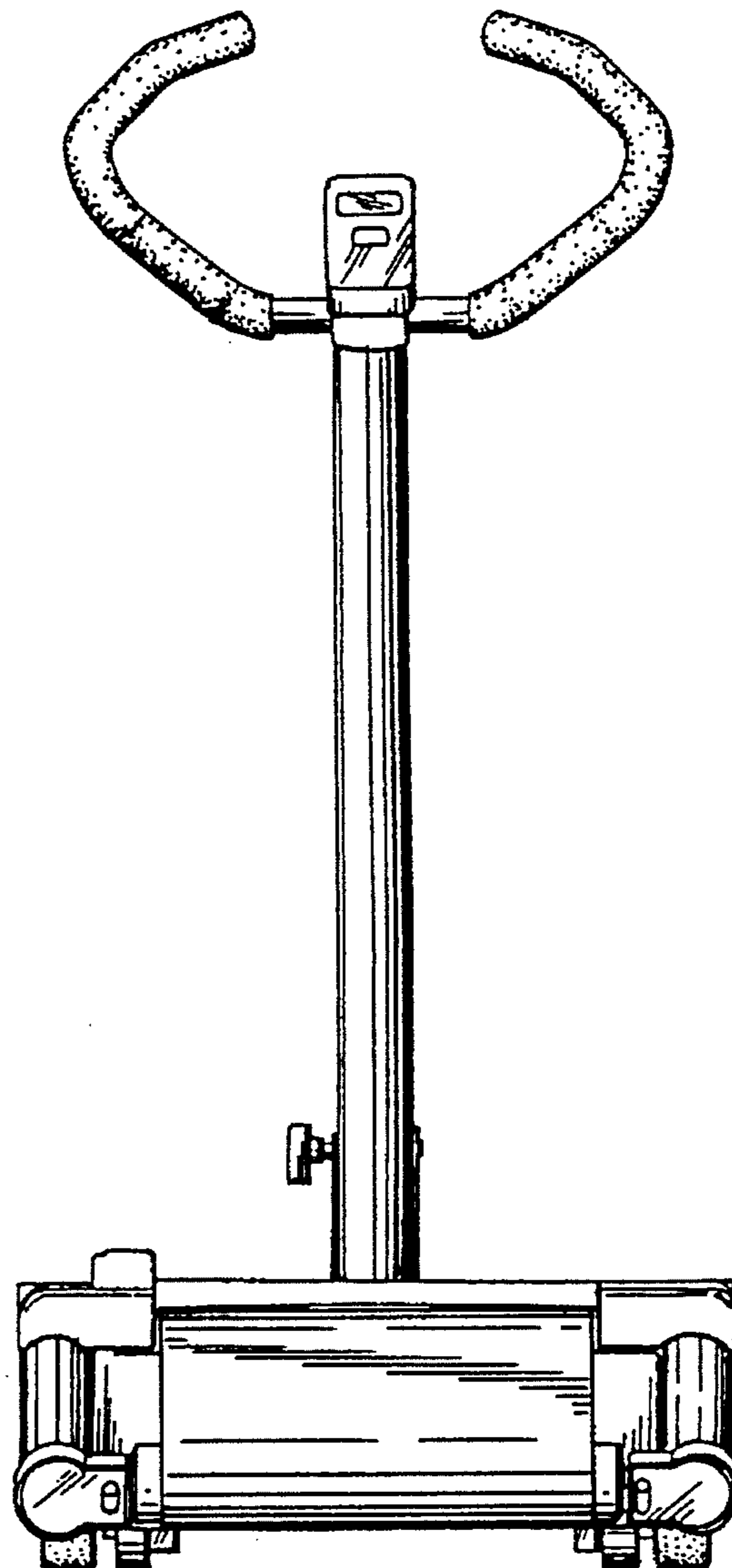


FIG. 5

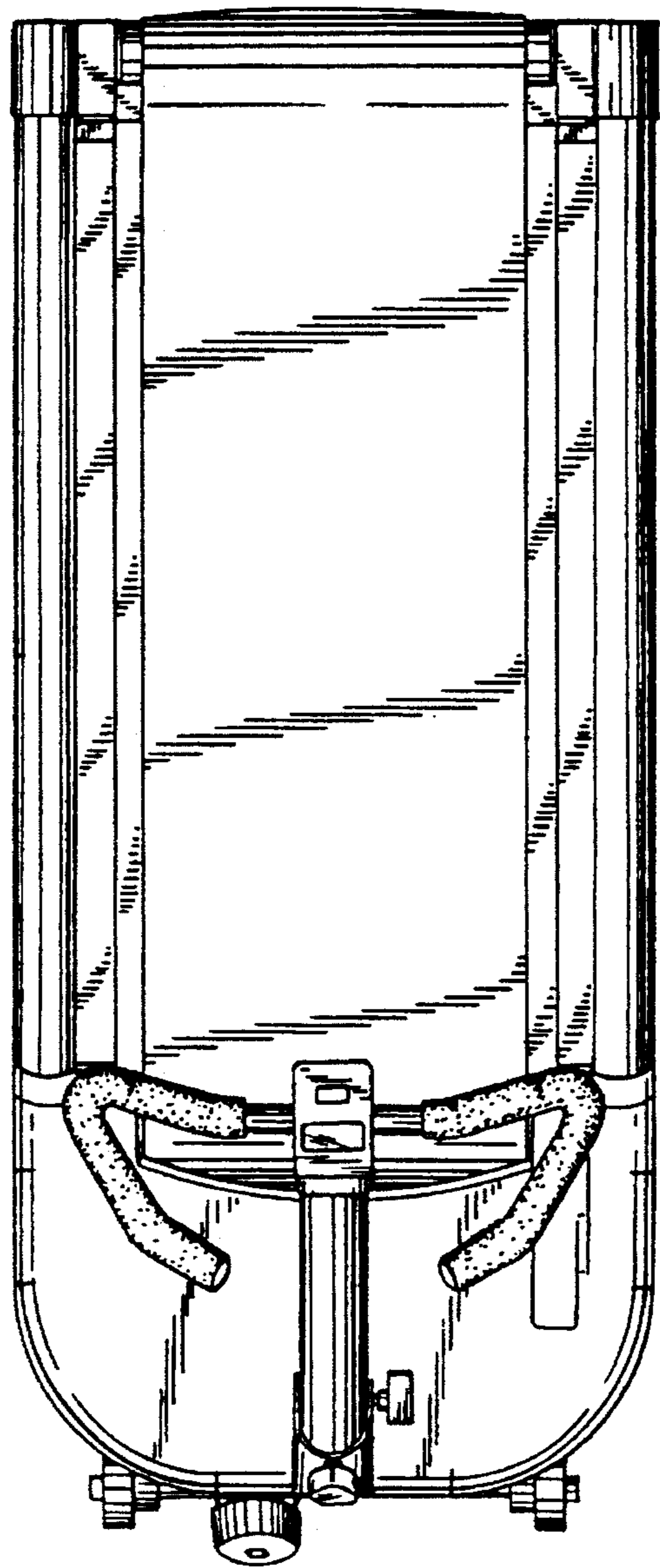


FIG. 6

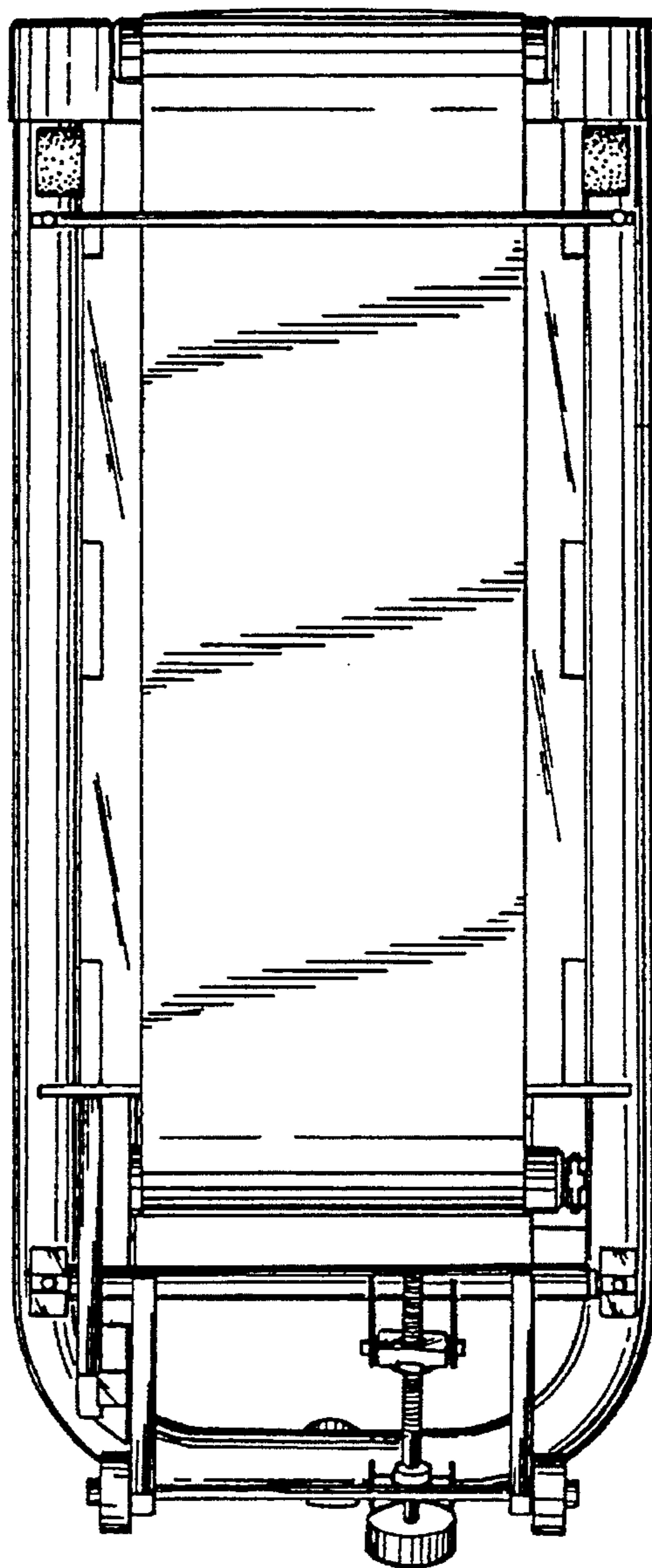


FIG. 7