



US00D365607S

United States Patent [19] Kino

[11] Patent Number: **Des. 365,607**

[45] Date of Patent: ****Dec. 26, 1995**

[54] **TOY SAND WHEEL**

[75] Inventor: **Moriya Kino**, Yokohama, Japan

[73] Assignee: **Royal Co., Ltd.**, Japan

[**] Term: **14 Years**

[21] Appl. No.: **17,131**

[22] Filed: **Dec. 29, 1993**

[52] U.S. Cl. **D21/120**

[58] Field of Search D21/59, 109, 120,
D21/132; D8/61, 1; 446/86, 144, 145, 166,
167, 168

[56] **References Cited**

U.S. PATENT DOCUMENTS

D. 26,325	11/1896	Scharles	446/166
D. 139,310	10/1944	Fisher	D21/132
1,511,211	10/1924	Baublitz	446/166
2,491,706	12/1949	Borza	446/166
3,030,731	4/1962	Marchus et al.	446/166

OTHER PUBLICATIONS

Catalogue including "E (Sand and Water Wheel)", issued 1993 by Early Learning Centre.

Catalogue including Product's No. 7141, issued 1989 by Wader.

Catalogue "Danish Design" including Product's No. 255, issued 1988-1989 by Bambola.

Catalogue including Product's No. 1610, issued 1989/1990 by HP Plast.

Catalogue "Sunny Park" including Toy water wheel with tank II and Toy water wheel with tank and Toy sand wheel, issued 1990 by Royal Co., Ltd.

Catalogue including Product's No. 6902 and No. 6901, issued 1989 by Spielstabil.

Primary Examiner—Theodore M. Shooman

Assistant Examiner—R. Barkai

Attorney, Agent, or Firm—Ostrolenk, Faber, Gerb & Soffen

[57] **CLAIM**

The ornamental design for a toy sand wheel, as shown and described.

DESCRIPTION

FIG. 1 is a front elevational view of a toy sand wheel showing a first embodiment of my new design and is also a mirror image of rear elevational view thereof;

FIG. 2 is a left side elevational view thereof;

FIG. 3 is a right side elevational view thereof;

FIG. 4 is a top plan view thereof;

FIG. 5 is a bottom plan view thereof;

FIG. 6 is a front elevational view of a toy sand wheel showing a second embodiment of my new design and is also a mirror image of rear elevational view thereof;

FIG. 7 is a left side elevational view thereof;

FIG. 8 is a right side elevational view thereof;

FIG. 9 is a top plan view thereof;

FIG. 10 is a bottom plan view thereof;

FIG. 11 is a front elevational view of a toy sand wheel showing a third embodiment of my new design and is also a mirror image of rear elevational view thereof;

FIG. 12 is a left side elevational view thereof;

FIG. 13 is a right side elevational view thereof;

FIG. 14 is a top plan view thereof; and,

FIG. 15 is a bottom plan view thereof.

1 Claim, 12 Drawing Sheets

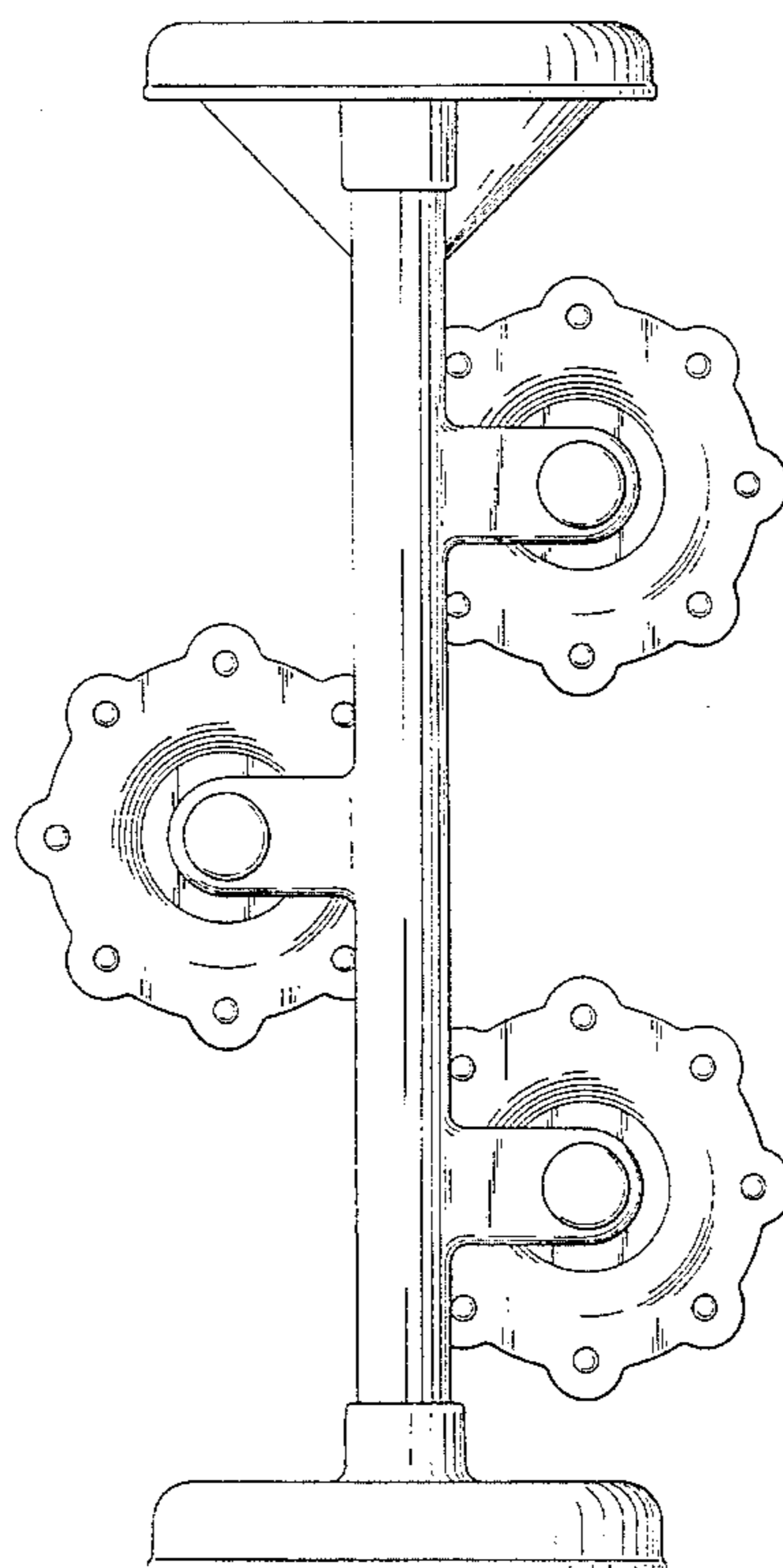


Fig. 1

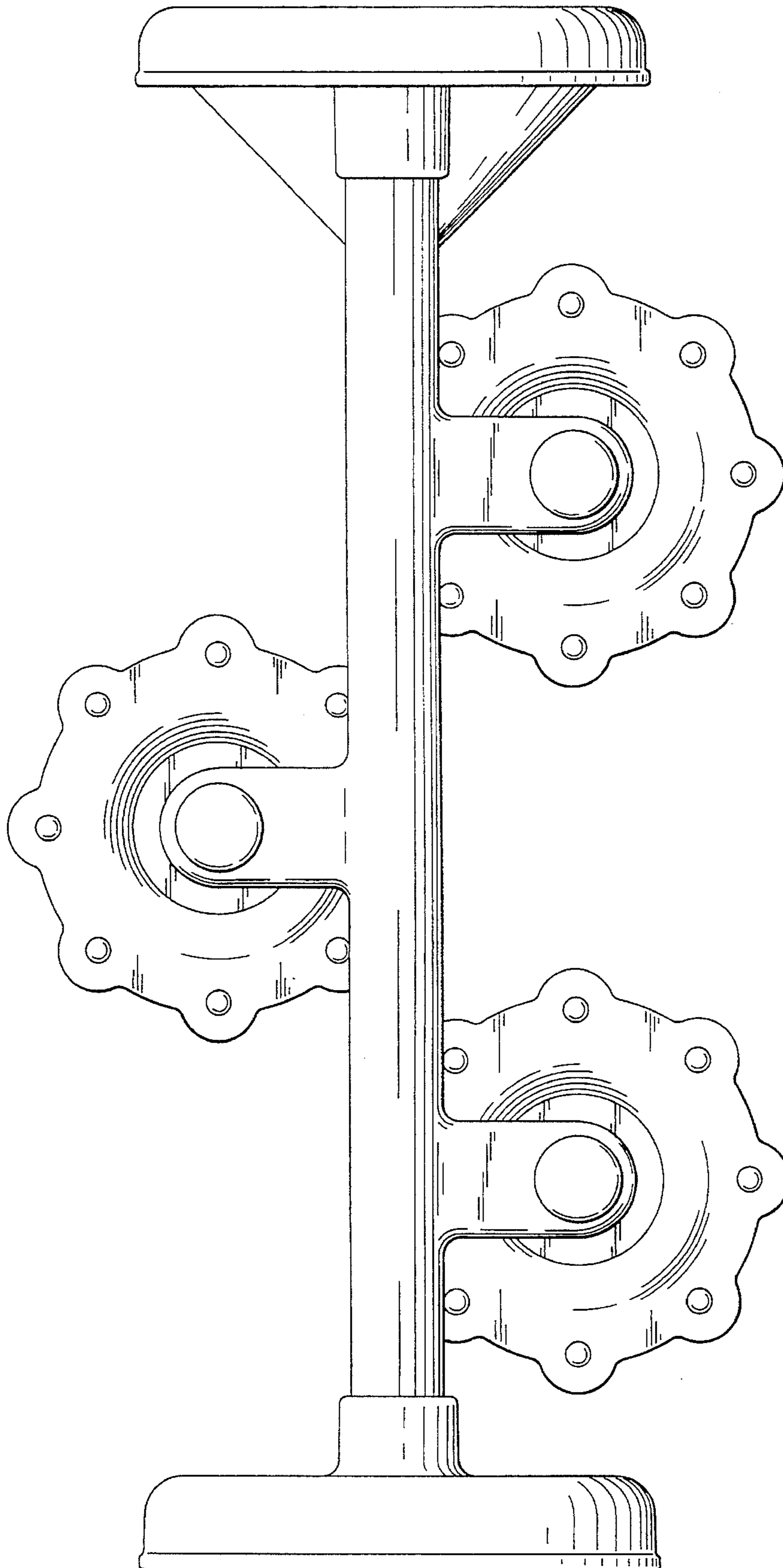


Fig. 2

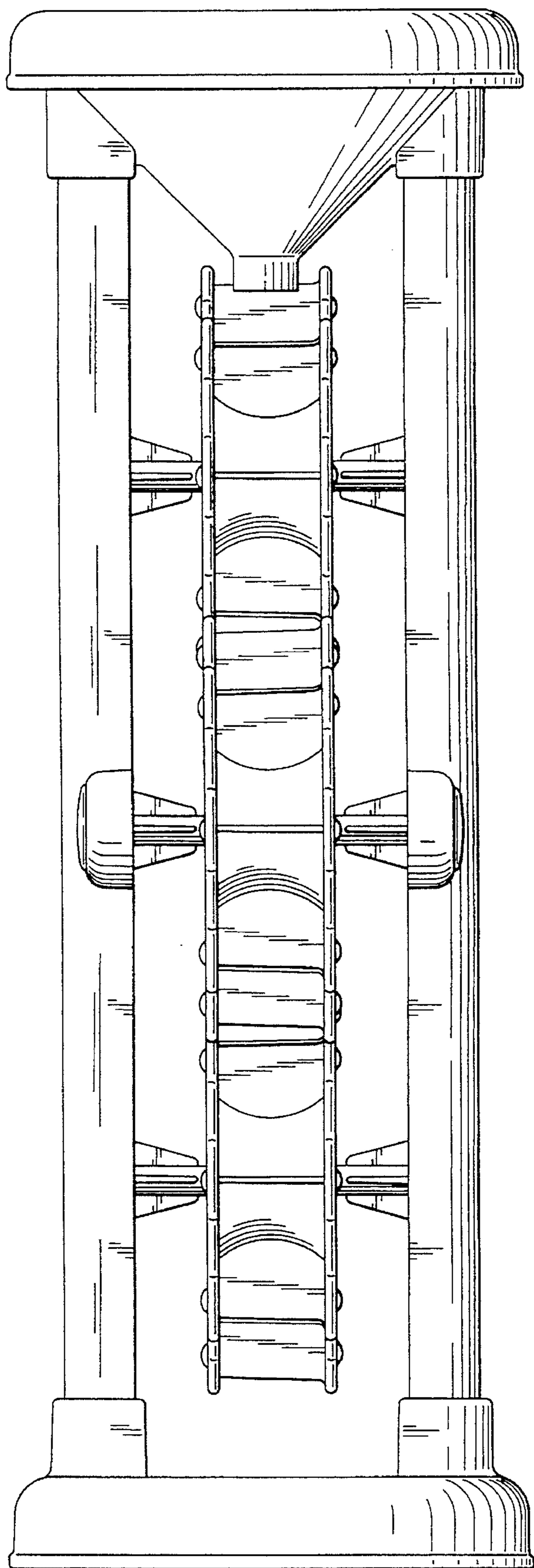


Fig. 3

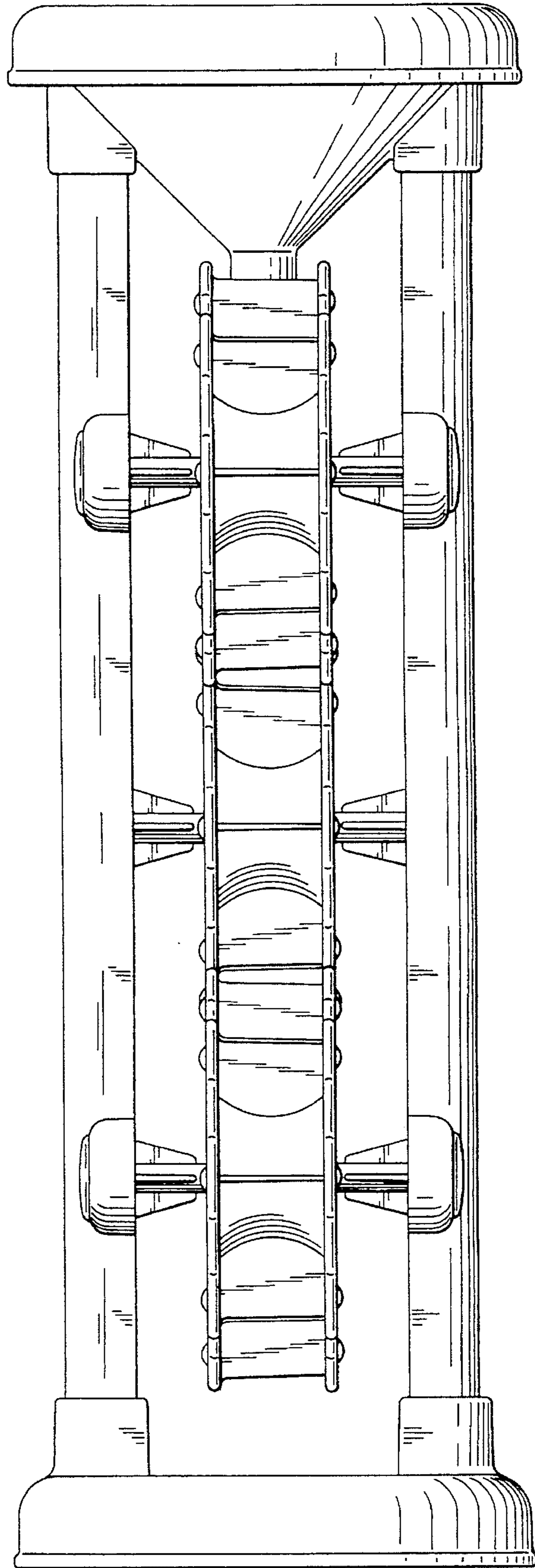


Fig. 4

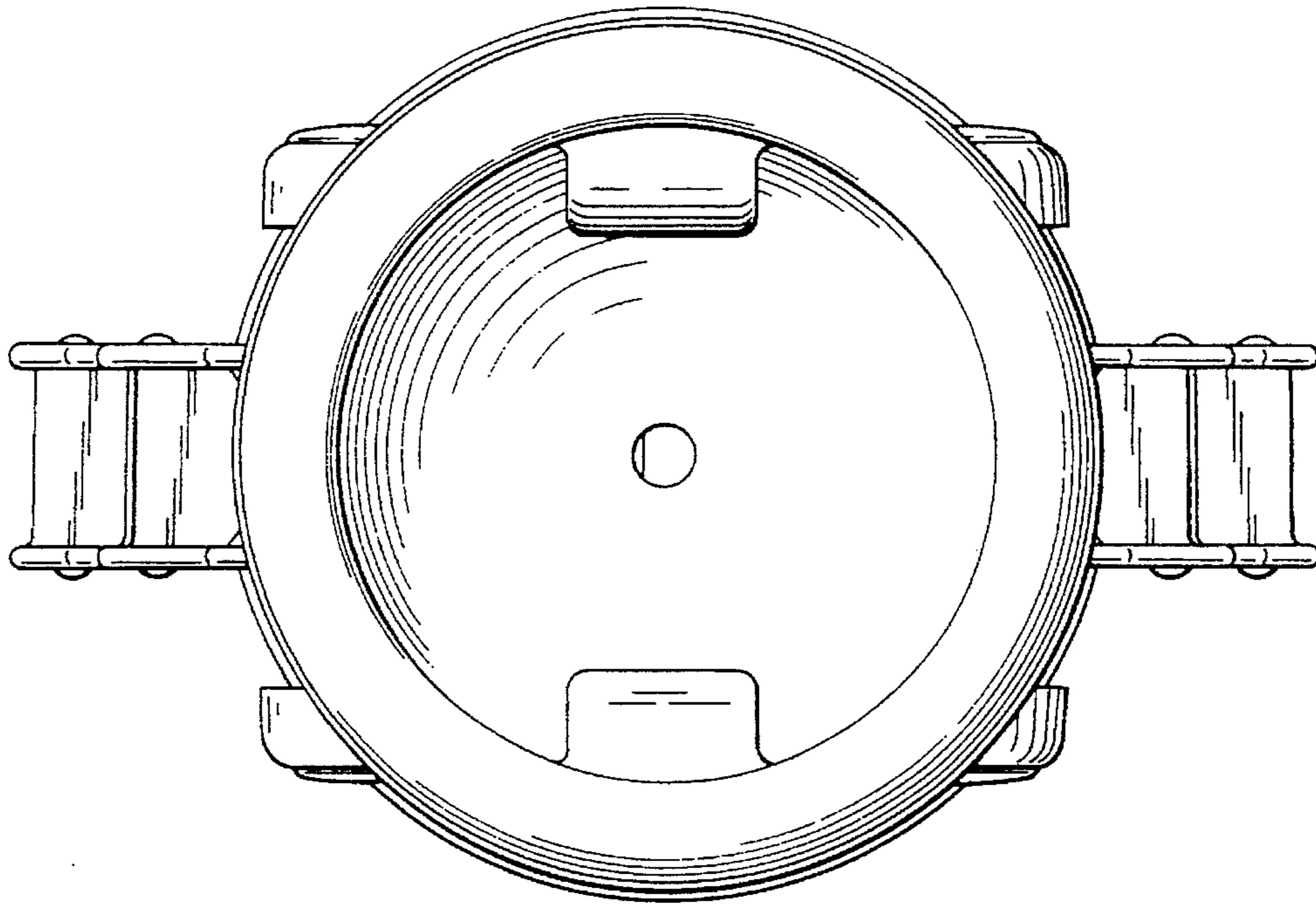


Fig. 5

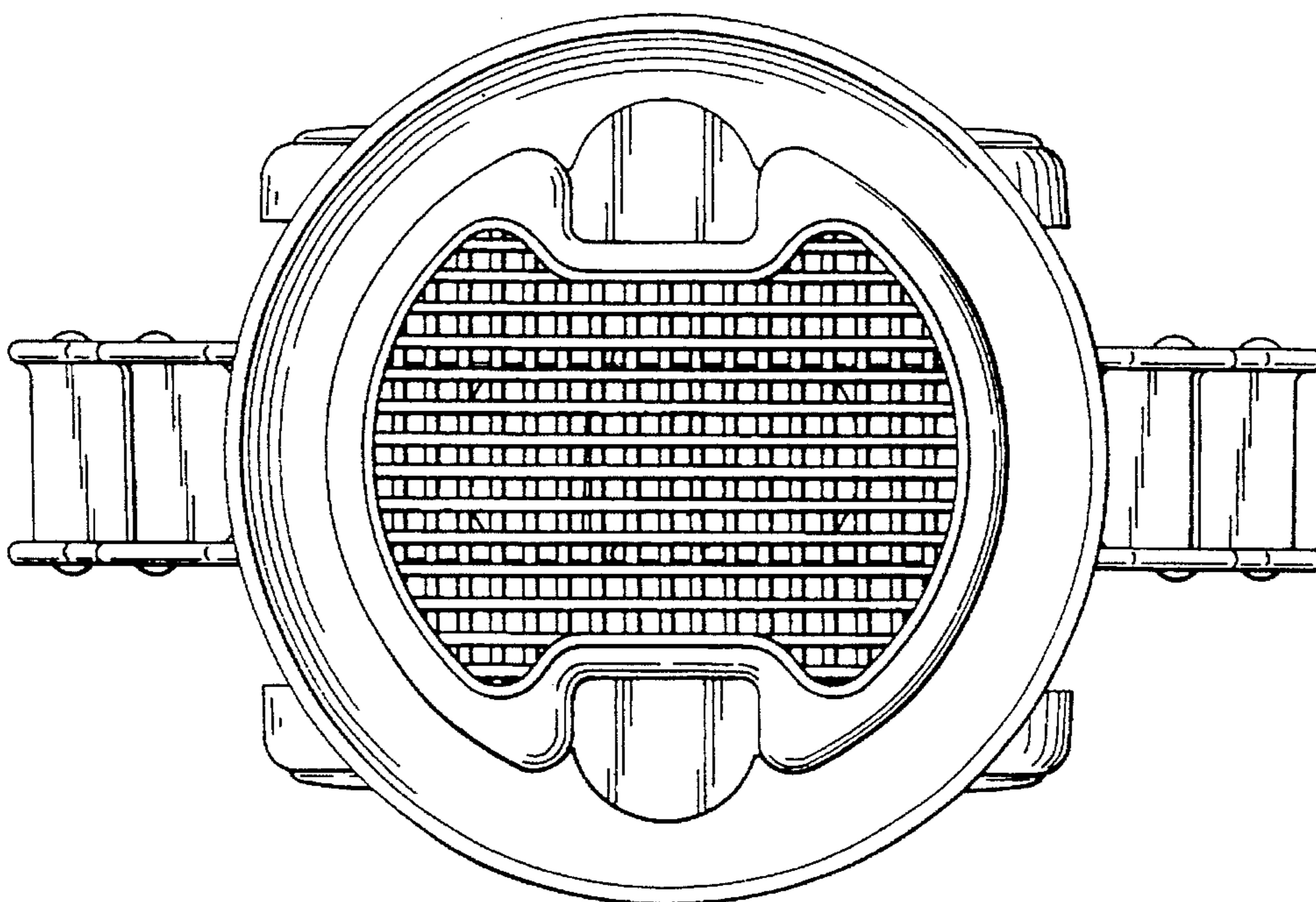


Fig. 6

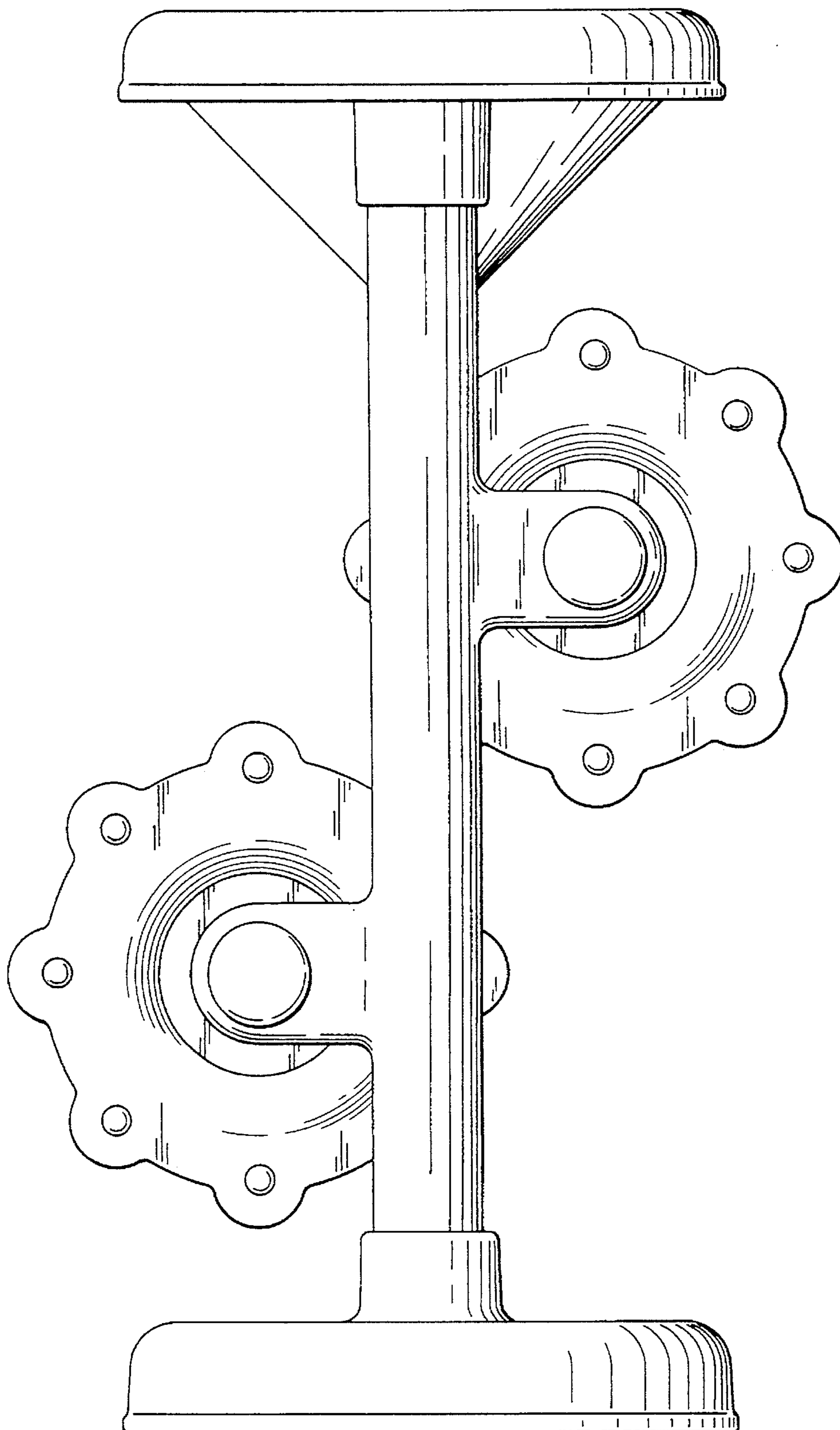


Fig. 7

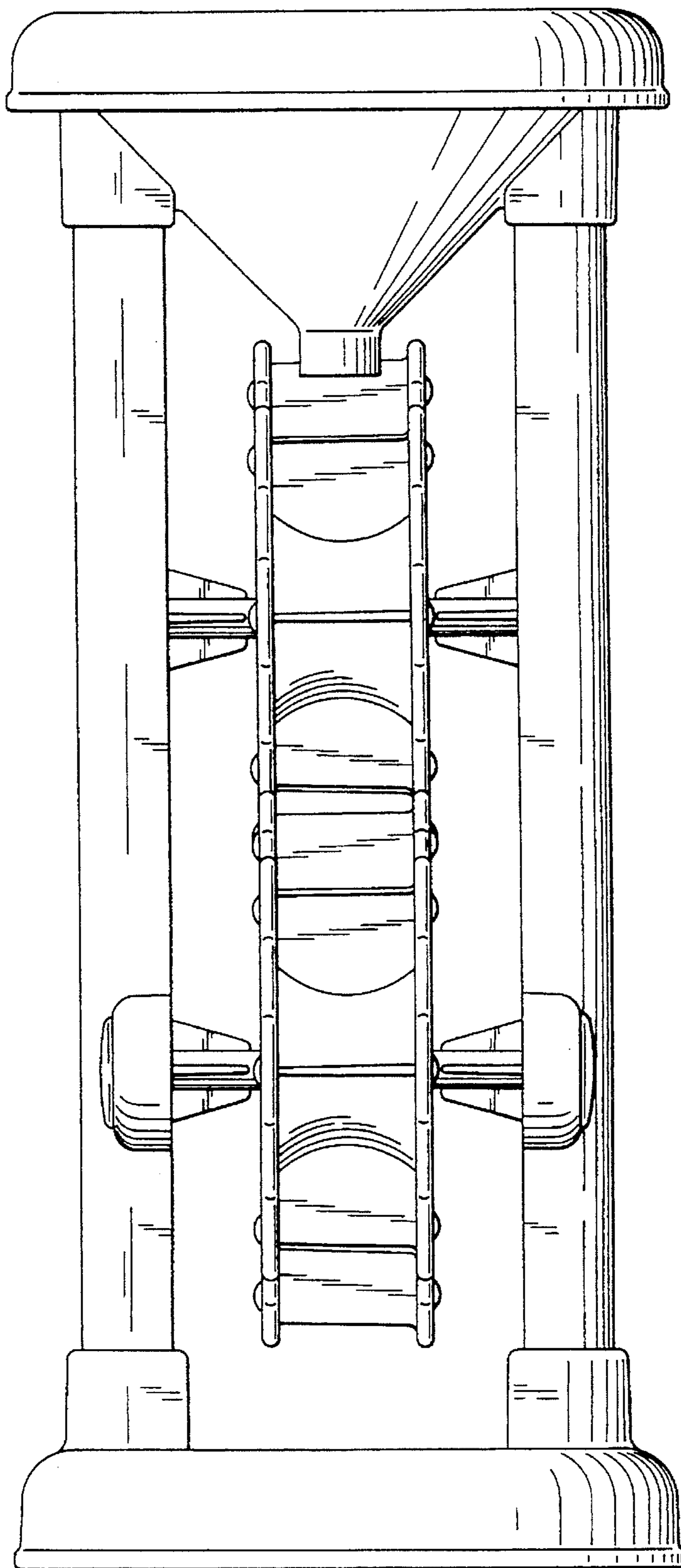


Fig. 8

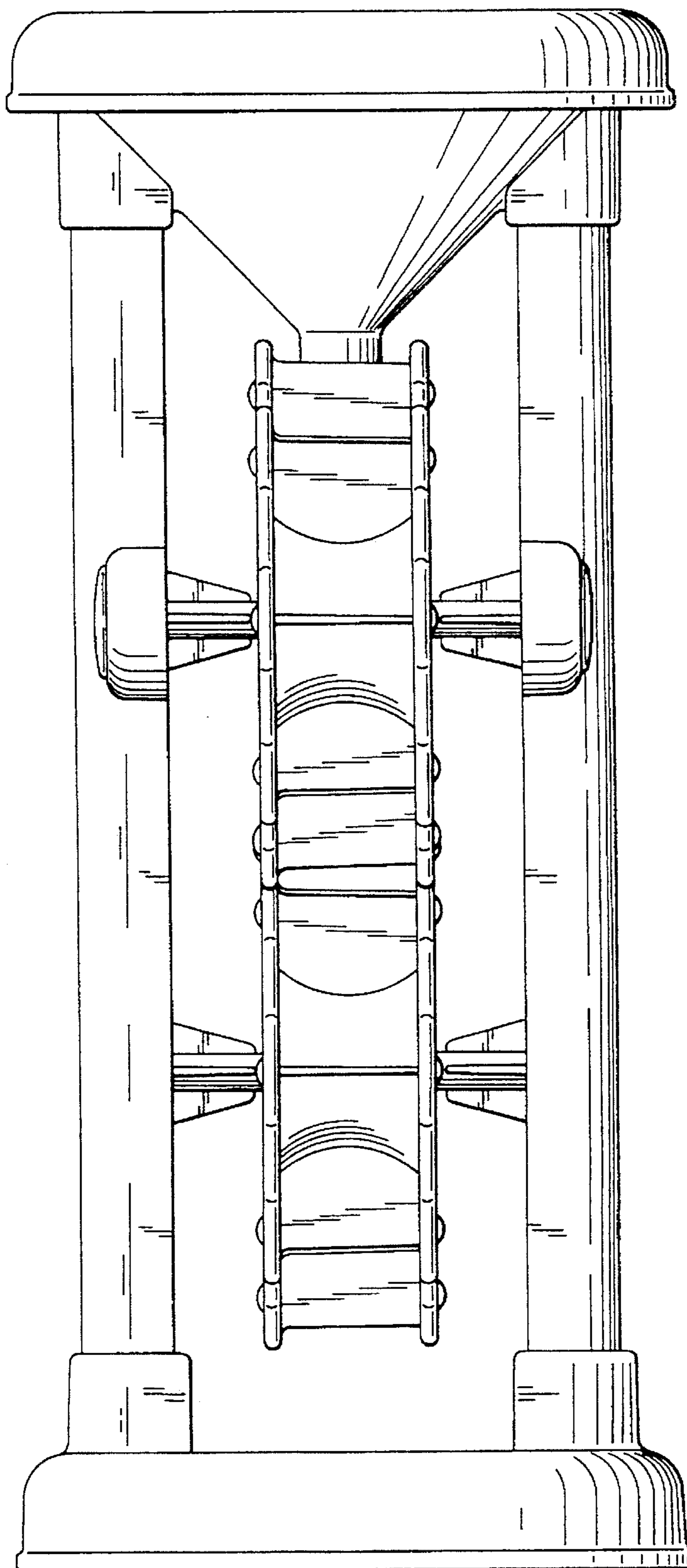


Fig. 9

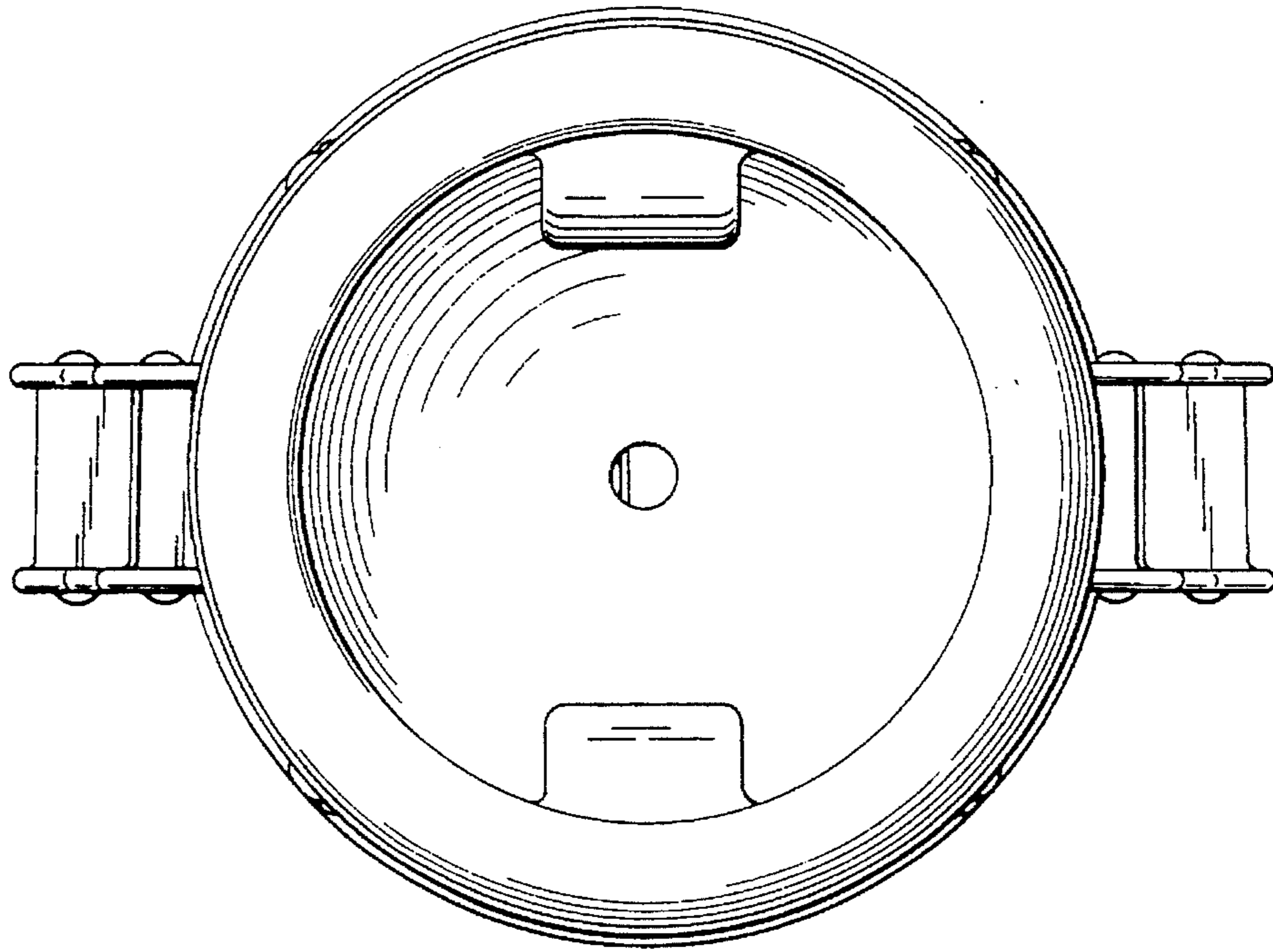


Fig. 10

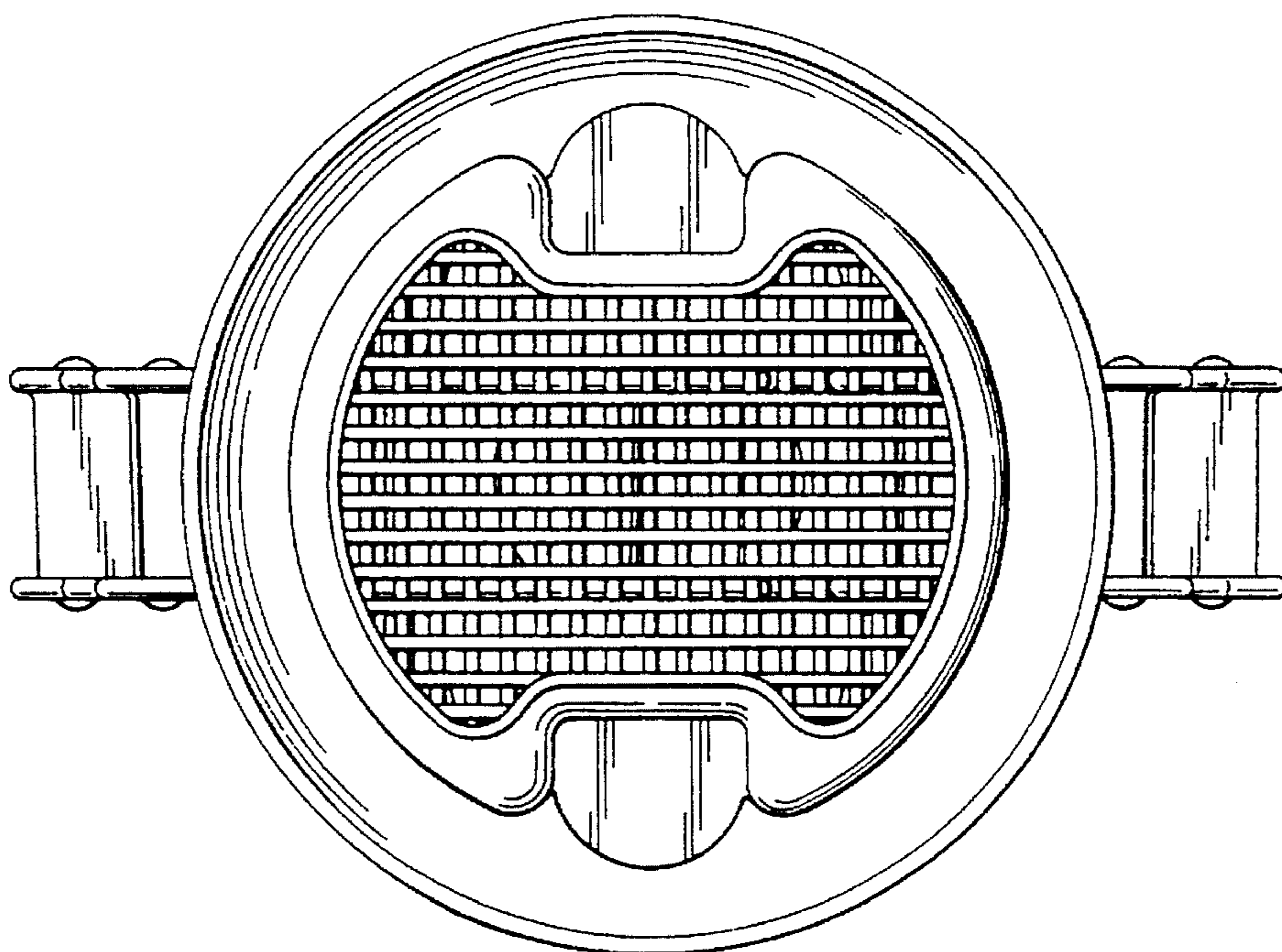


Fig. 11

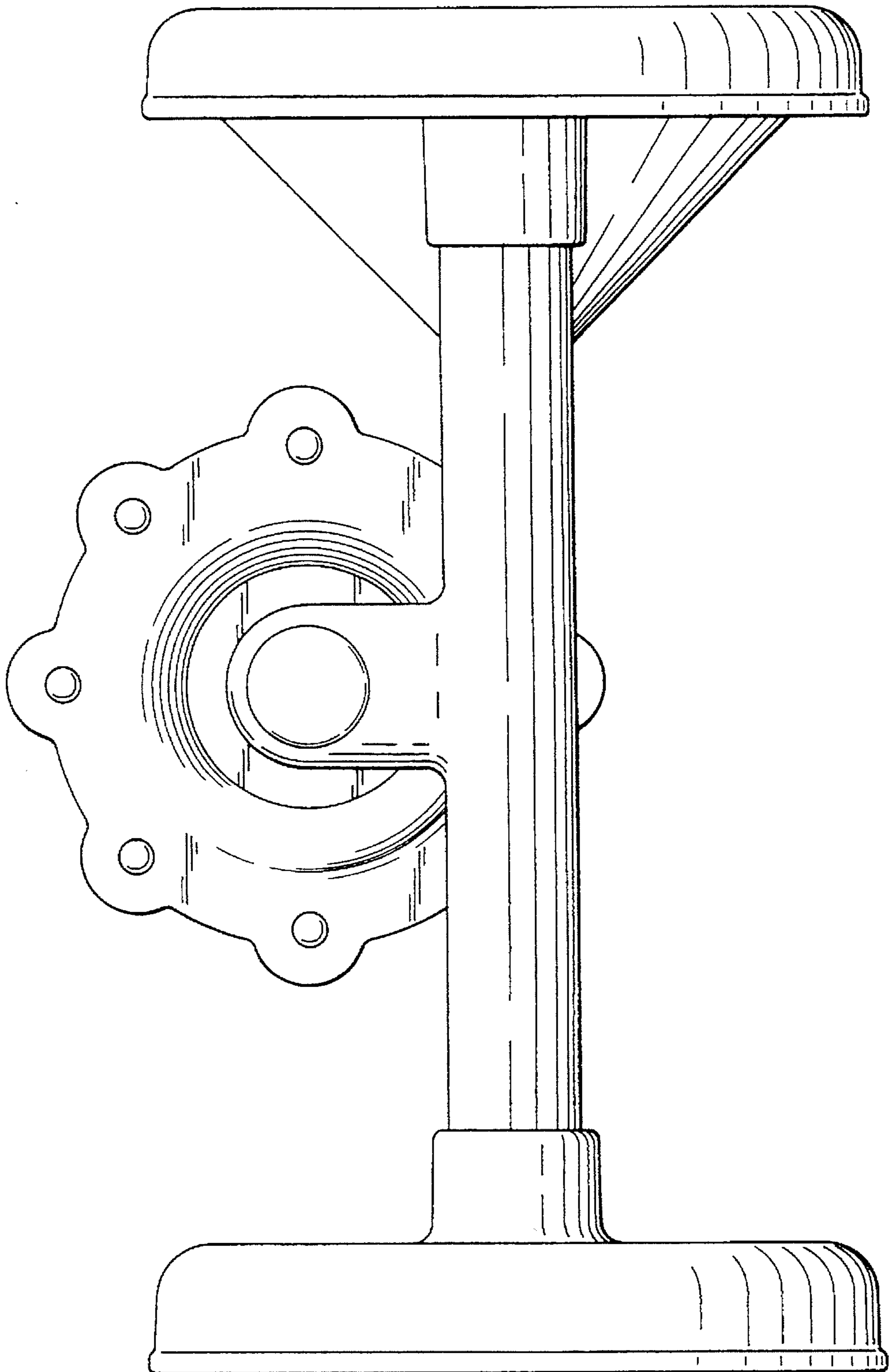


Fig. 12

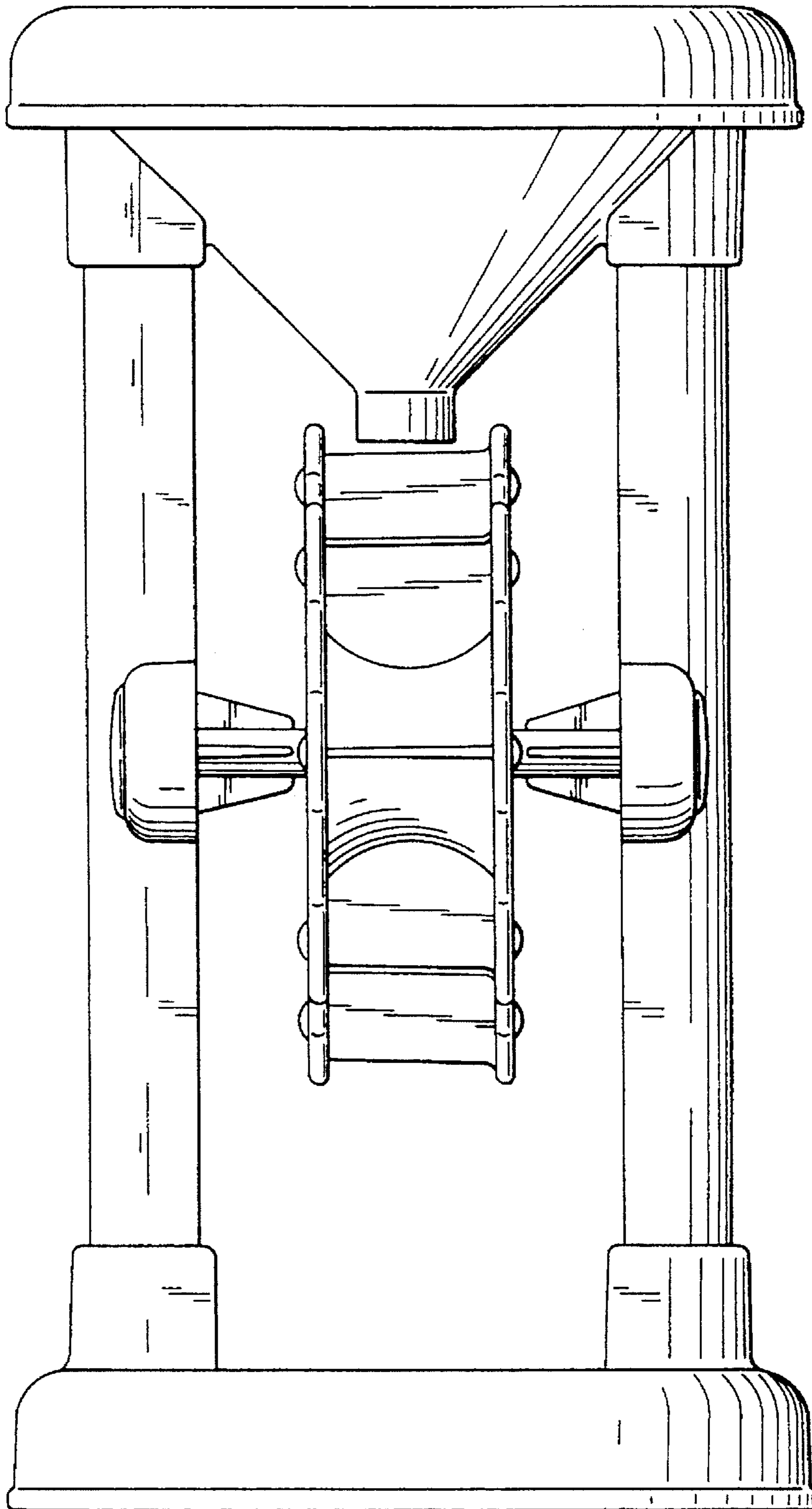


Fig. 13

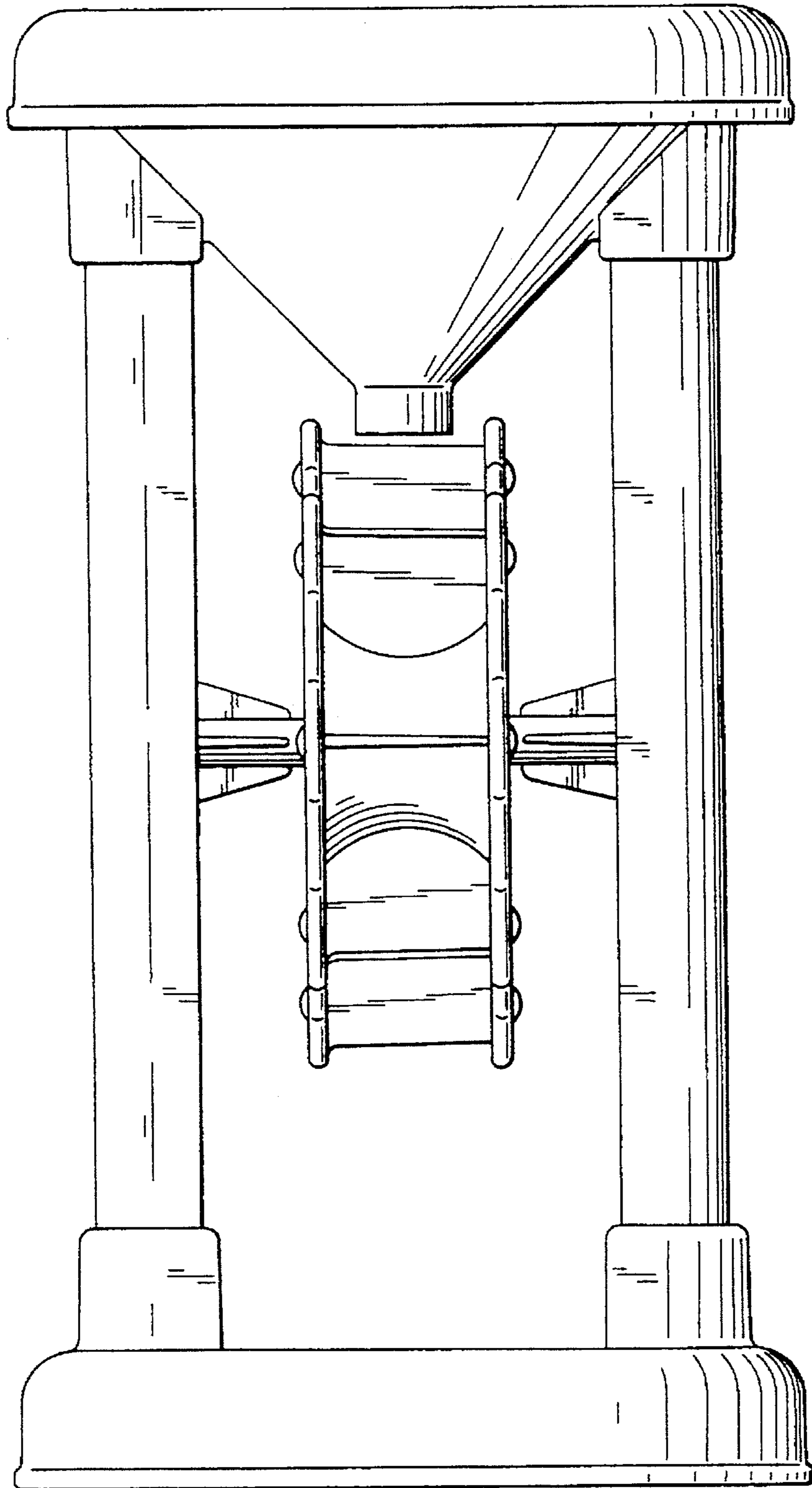


Fig. 14

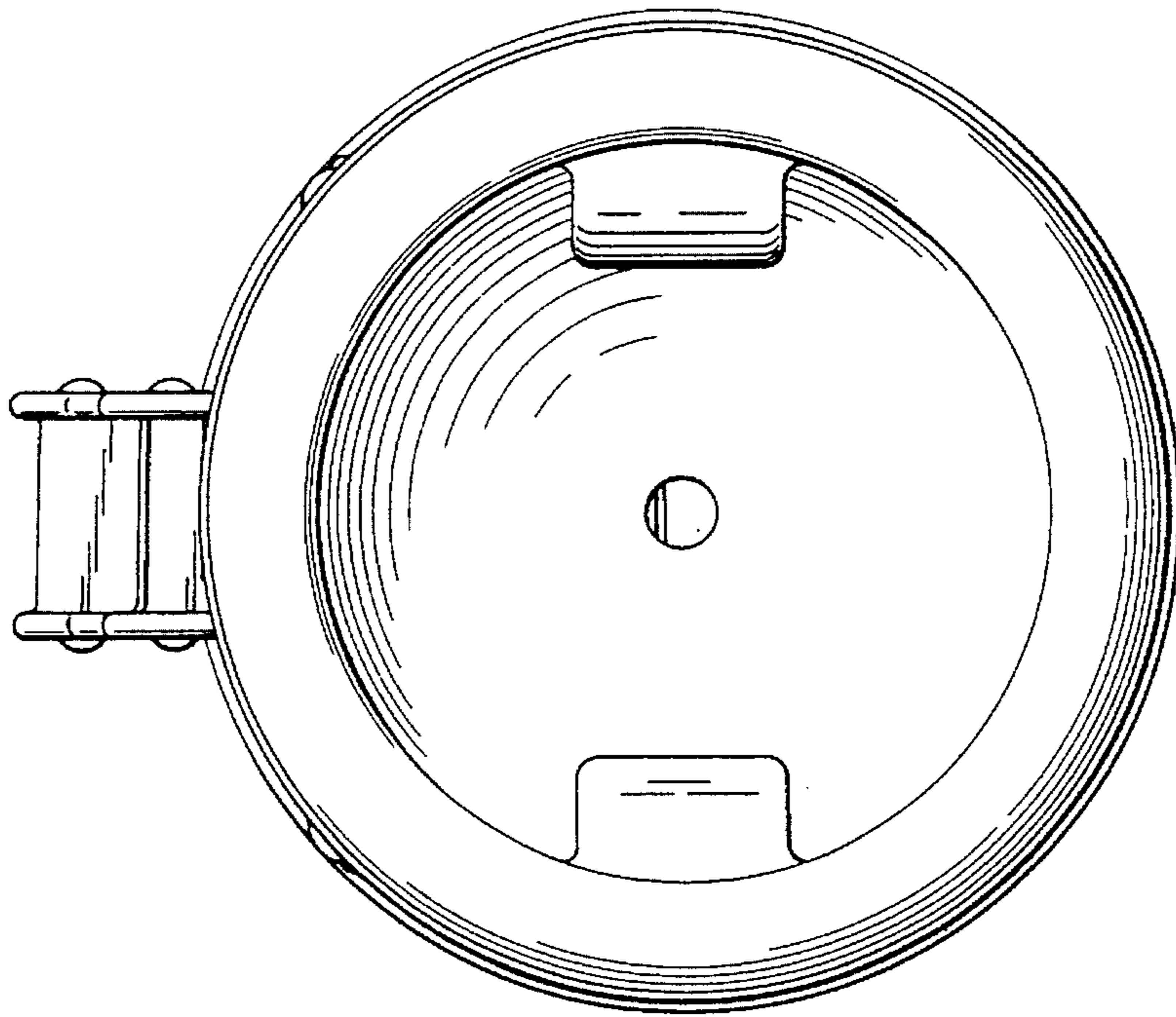


Fig. 15

