



US00D365605S

United States Patent [19]

[11] Patent Number: Des. 365,605

Jensen et al.

[45] Date of Patent: **Dec. 26, 1995

[54] JOYSTICK WITH CONTROL BUTTONS

[75] Inventors: **Christopher Jensen; Grant E. Brightman**, both of Hillsboro, Oreg.

[73] Assignee: **Thrustmaster, Inc.**, Tigard, Oreg.

[**] Term: **14 Years**

[21] Appl. No.: **33,168**

[22] Filed: **Jan. 5, 1995**

[52] U.S. Cl. **D21/48**

[58] Field of Search D21/13, 48; 273/148 B, 273/433-438, DIG. 28; D14/217

[56] References Cited

U.S. PATENT DOCUMENTS

D. 340,479	10/1993	Ho	D21/48
D. 351,625	10/1994	Carter et al.	D21/48
D. 352,739	10/1994	Ho	D21/48
D. 354,092	1/1995	Ho	D21/48
D. 357,712	4/1995	Ho	D21/48
4,501,424	2/1985	Stone et al.	273/148 B
4,658,666	4/1987	Liu	273/438 X

OTHER PUBLICATIONS

Brochure advertising QS202 Squadron Commander; QS205 Interceptor, Quicknews, Sep.-Oct. 1994, QuickShot Technology, Inc., Milpitas, Calif.
 Tiger Software Catalog, vol. IV, No. 11, p. 75, WingMan Joystick, Logitech Inc., Fremont, Calif.
 Brochure for WingMan Extreme Joystick, 1994, Logitech Inc., Fremont, Calif.

Gioveti, Alfred, "Christmas Controller Cornucopia," PC Simulations, vol. 2, No. 5, 1994, p. 77, Flightstick Pro by CH Products, Vista, Calif.

Advertising for Firefox Series PC-800 PC Analogue Joystick-Competition Pro, Happ Controls, Inc., Elk Grove, Ill., Consumer Electronics Show, Jan. 6-9, 1995, Las Vegas, Nev.

Advertising for Pistol Stick II, Winner Products, Walnut, Calif.

"Advanced Gravis Gives Joysticks a New Twist," Phoenix Control System by Advanced Gravis, Computer Game Review, Nov. 1994, pp. 60-61.

Vending Times, Jul. 1982, p. 40.

Merchandising, Mar. 1983, p. 53.

Primary Examiner—Prabhakar G. Deshmukh

Attorney, Agent, or Firm—Marger, Johnson, McCollom & Stolowitz

[57] CLAIM

The ornamental design for a joystick with control buttons, as shown and described.

DESCRIPTION

FIG. 1 is a right rear perspective view of joystick with control buttons showing our new design;
 FIG. 2 is a bottom plan view thereof;
 FIG. 3 is a left side elevational view thereof; the right side elevational view being a mirror image thereof;
 FIG. 4 is a top plan view thereof;
 FIG. 5 is a rear elevational view thereof; and,
 FIG. 6 is front elevational view thereof.

1 Claim, 3 Drawing Sheets

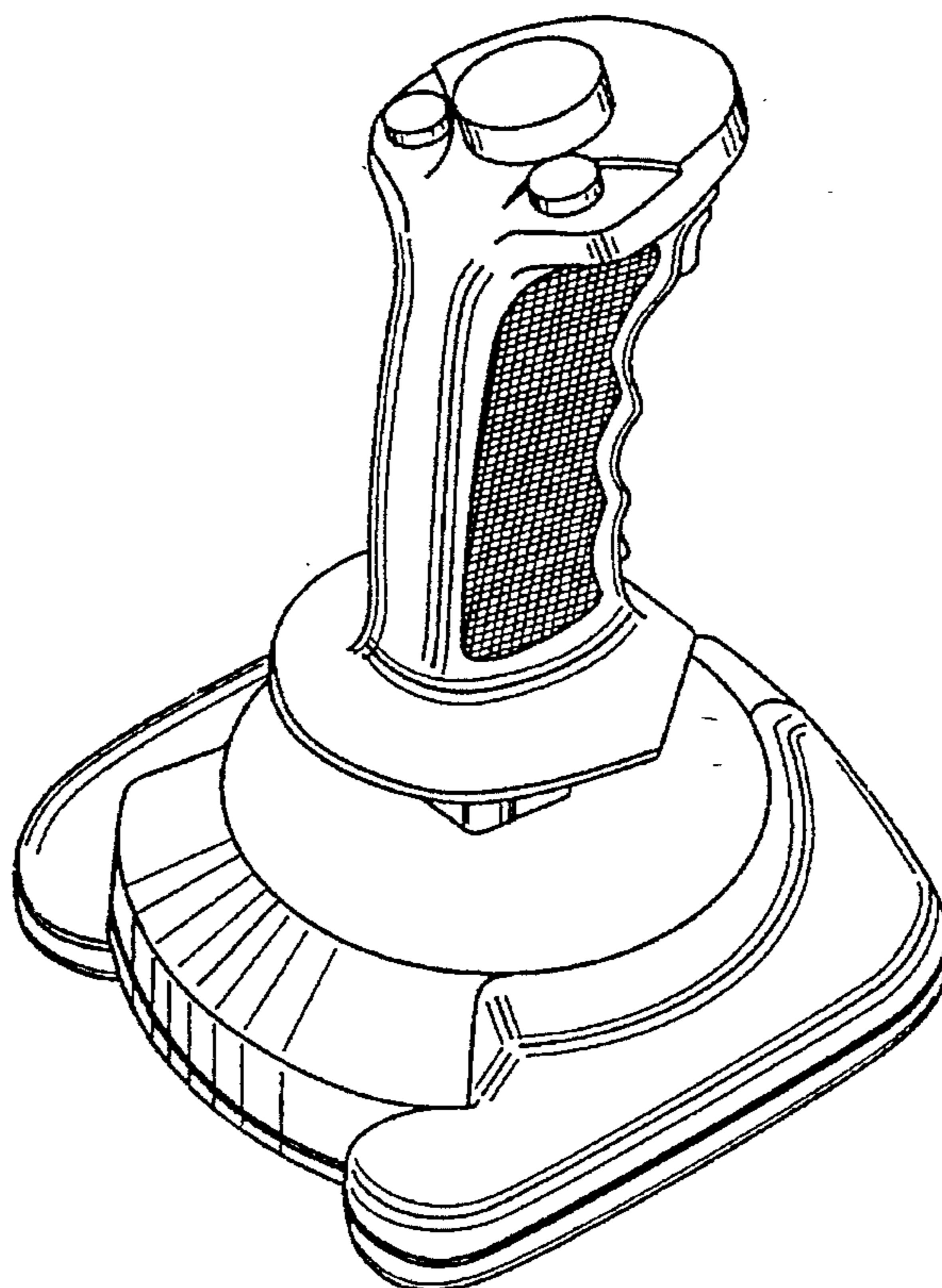


FIG. 1

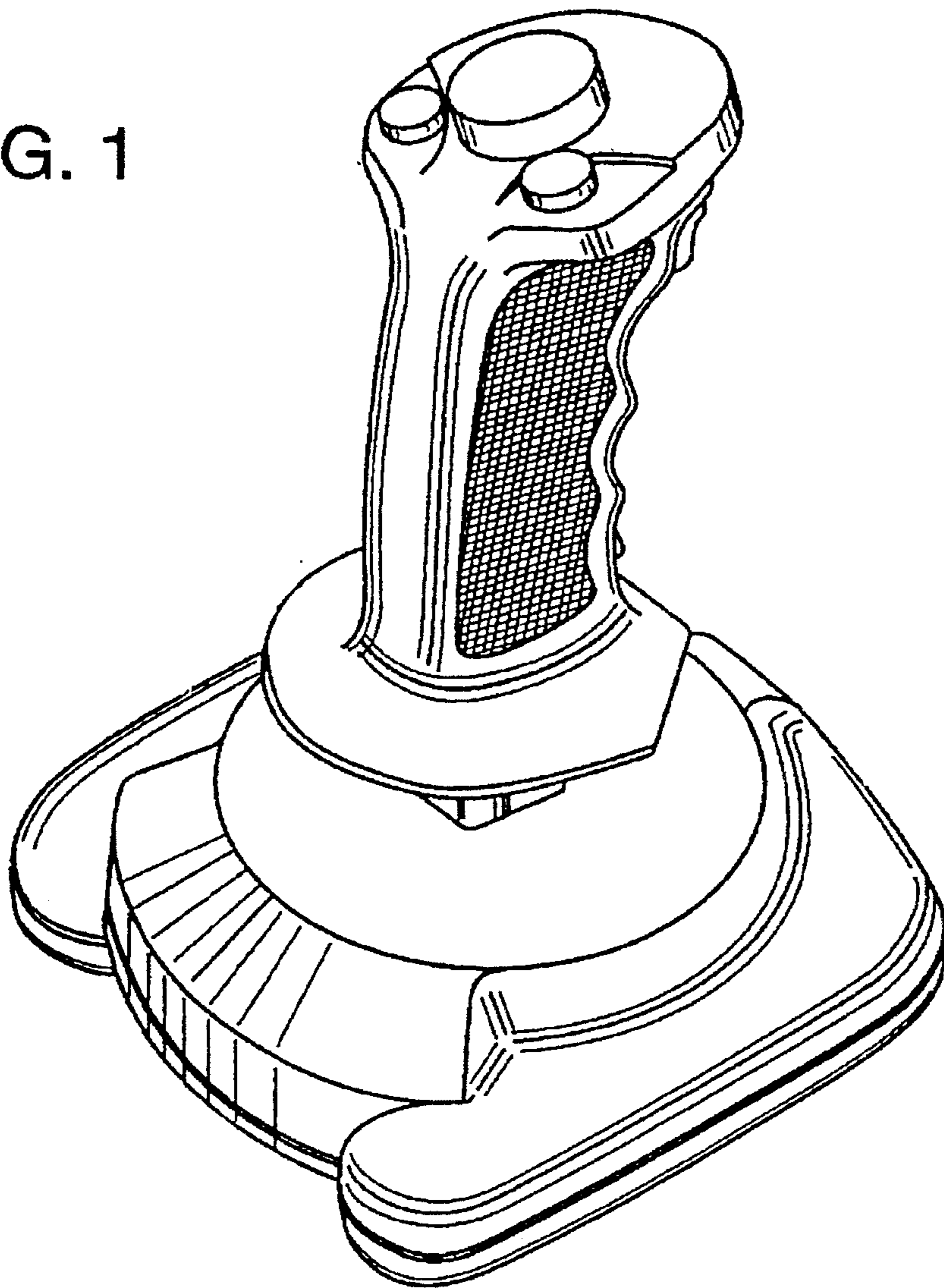
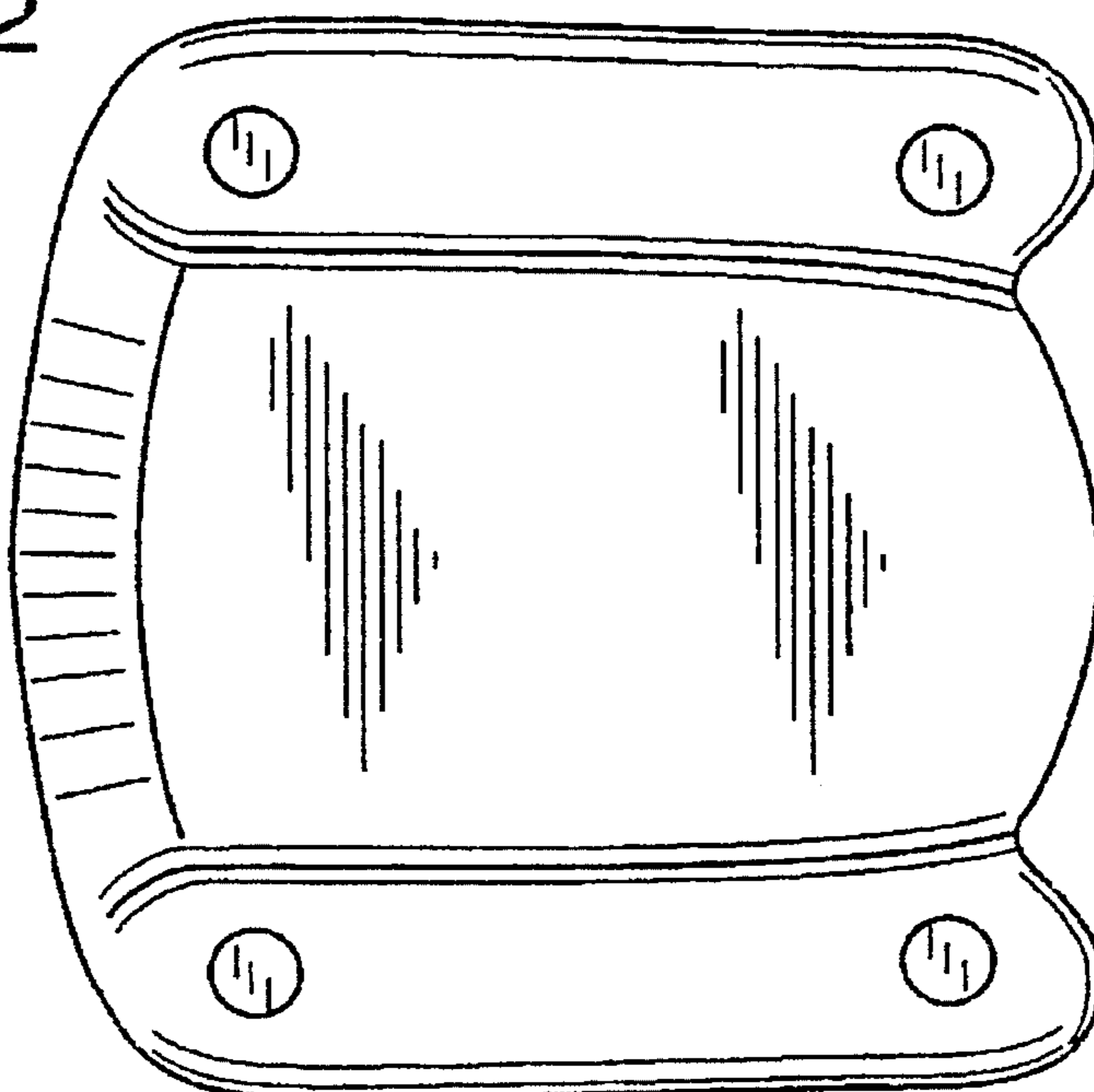


FIG. 2



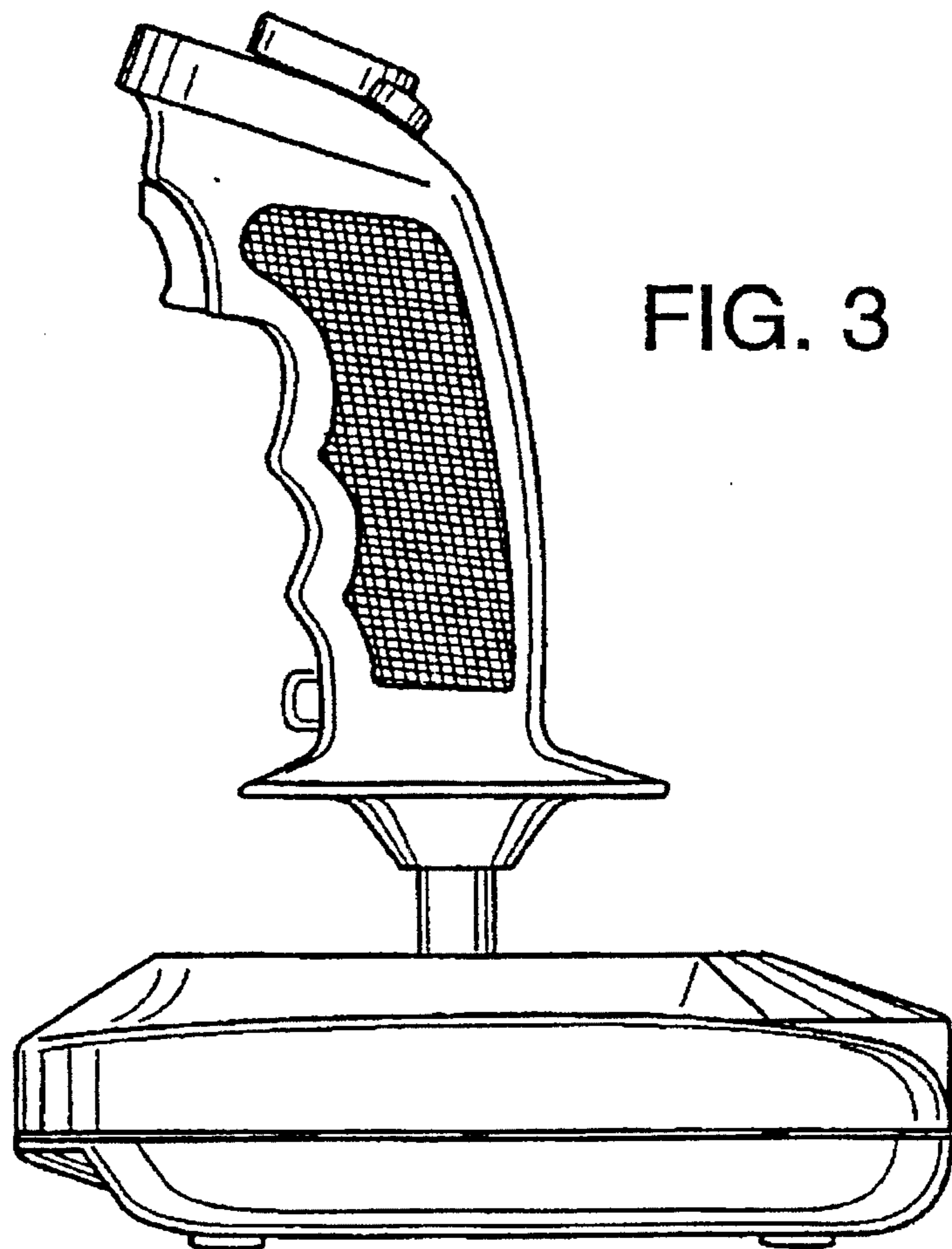


FIG. 3

FIG. 4

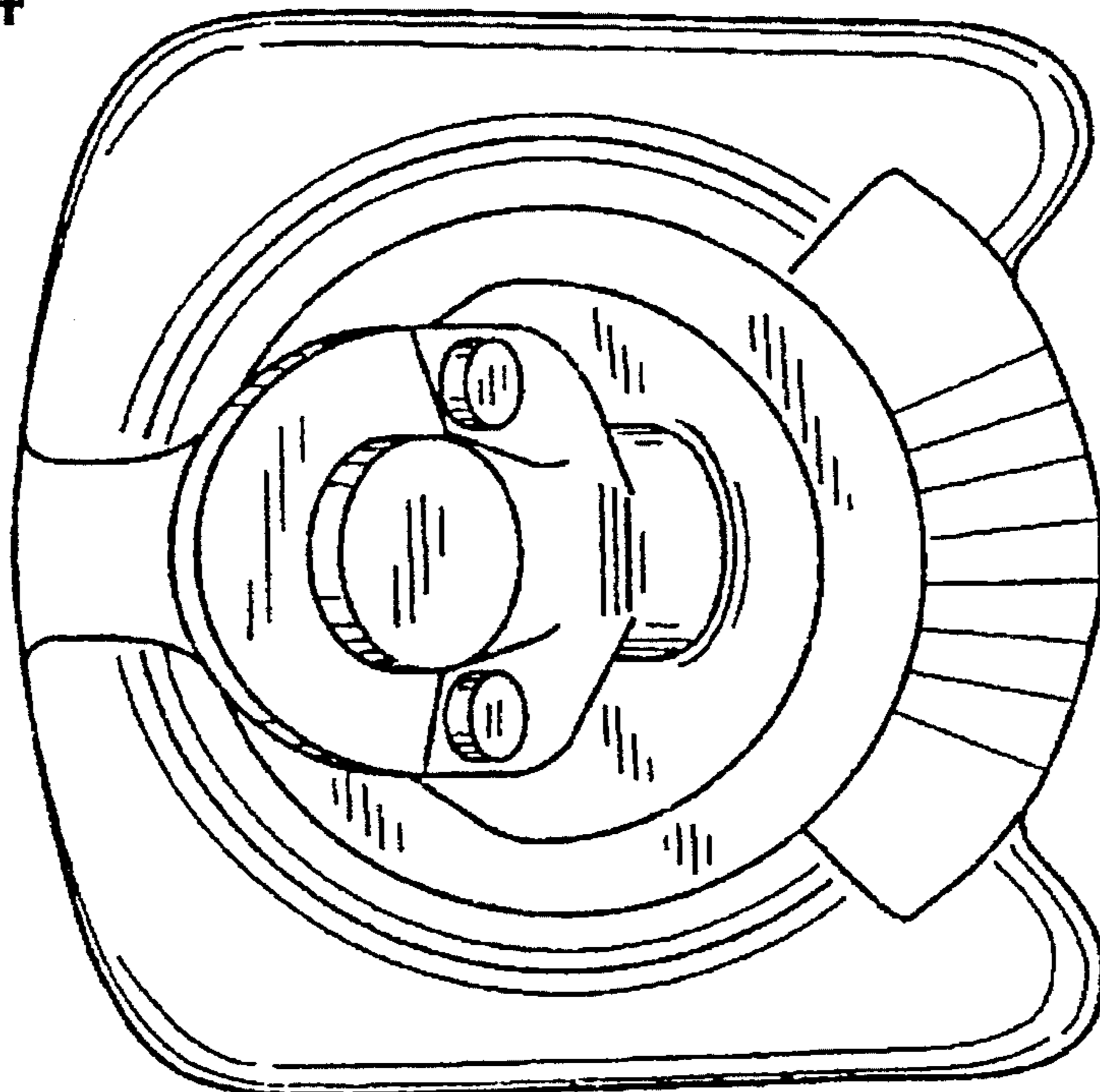


FIG. 5

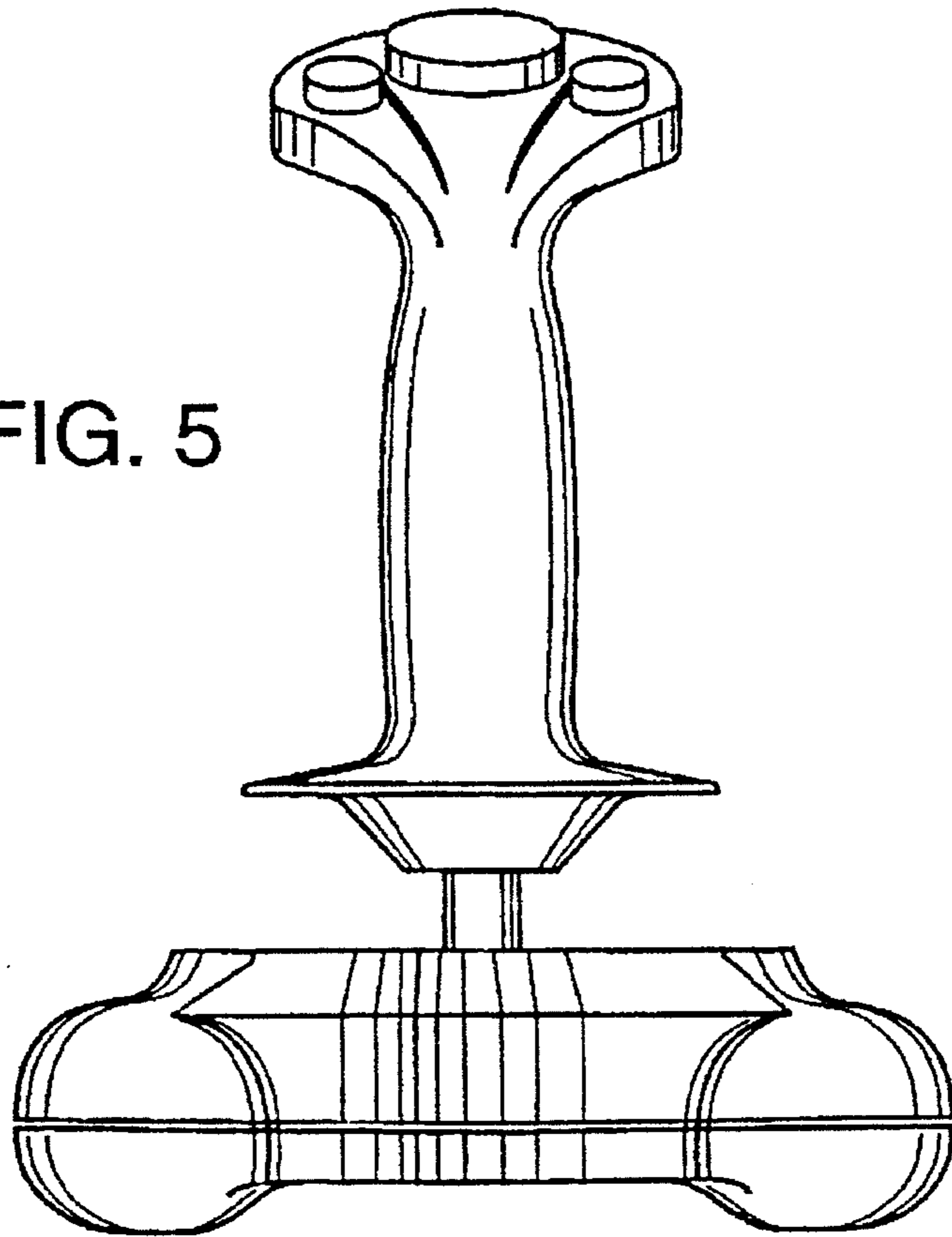


FIG. 6

