



US00D365604S

# United States Patent [19]

[11] Patent Number: **Des. 365,604**

Carter et al.

[45] Date of Patent: **\*\*Dec. 26, 1995**

[54] **SIDE-MOUNTED THROTTLE AND WEAPONS CONTROLLER FOR VIDEO GAMES AND FLIGHT SIMULATORS**

### OTHER PUBLICATIONS

[75] Inventors: **Robert L. Carter**, Vancouver, Wash.; **Christopher J. Jensen**, Hillsboro, Oreg.

Merchandising, Mar. 1983, p. 53.  
Hong Kong Enterprise, Oct. 1990, p. 813.  
Brochure advertising QS202 Squadron Commander; QS205 Interceptor, Quicknews, Sep.-Oct. 1994, QuickShot Technology, Inc., Milpitas, Calif.

[73] Assignee: **Thrustmaster, Inc.**, Tigard, Oreg.

*Primary Examiner*—Prabhakar G. Deshmukh  
*Attorney, Agent, or Firm*—Marger, Johnson, McCollum & Stolowitz

[\*\*] Term: **14 Years**

### [57] CLAIM

[21] Appl. No.: **30,469**

The ornamental design for a side-mounted throttle and weapons controller for video games and flight simulators, as shown and described.

[22] Filed: **Oct. 31, 1994**

[52] U.S. Cl. .... **D21/48**

### DESCRIPTION

[58] **Field of Search** ..... D21/48, 13, 1; 273/433-438, 148 B, DIG. 28, 310, 311, 316; 348/157; 434/37, 43, 45; 74/471 XY; D14/114, 125, 124

FIG. 1 is a right side perspective view of a side mounted throttle and weapons controller for computer video games and flight simulators, according to the design of the present invention;

### [56] References Cited

#### U.S. PATENT DOCUMENTS

D. 313,251	12/1990	Hayes	.....	D21/48
D. 330,230	10/1992	Carter	.	
D. 334,415	3/1993	Carter et al.	.	
D. 351,625	10/1994	Carter et al.	.	
4,659,313	4/1987	Kuster et al.	.....	434/45
4,815,733	3/1989	Yokoi	.....	273/438
4,820,162	4/1989	Ross	.....	273/438 X
5,142,931	9/1992	Mehahem	.....	74/471 X
5,245,320	9/1993	Bouton	.....	273/148 B X

FIG. 2 is a right side elevation view of the controller of FIG. 1;

FIG. 3 is a left side elevation view of the controller of FIG. 1;

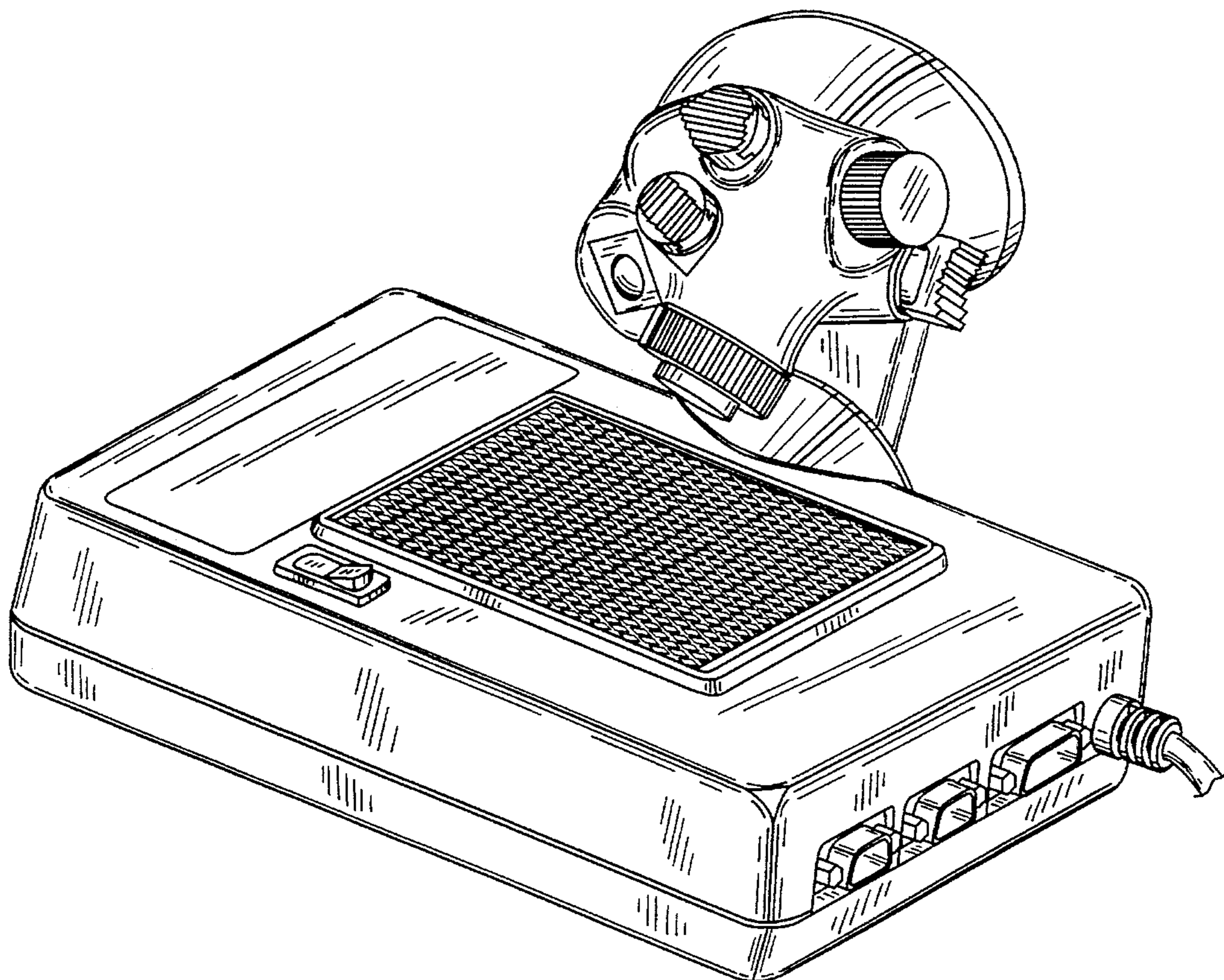
FIG. 4 is a rear elevation view of the controller of FIG. 1;

FIG. 5 is a front elevation view of the controller of FIG. 1;

FIG. 6 is a top plan view of the controller of FIG. 1; and,

FIG. 7 is a bottom plan view thereof.

**1 Claim, 7 Drawing Sheets**



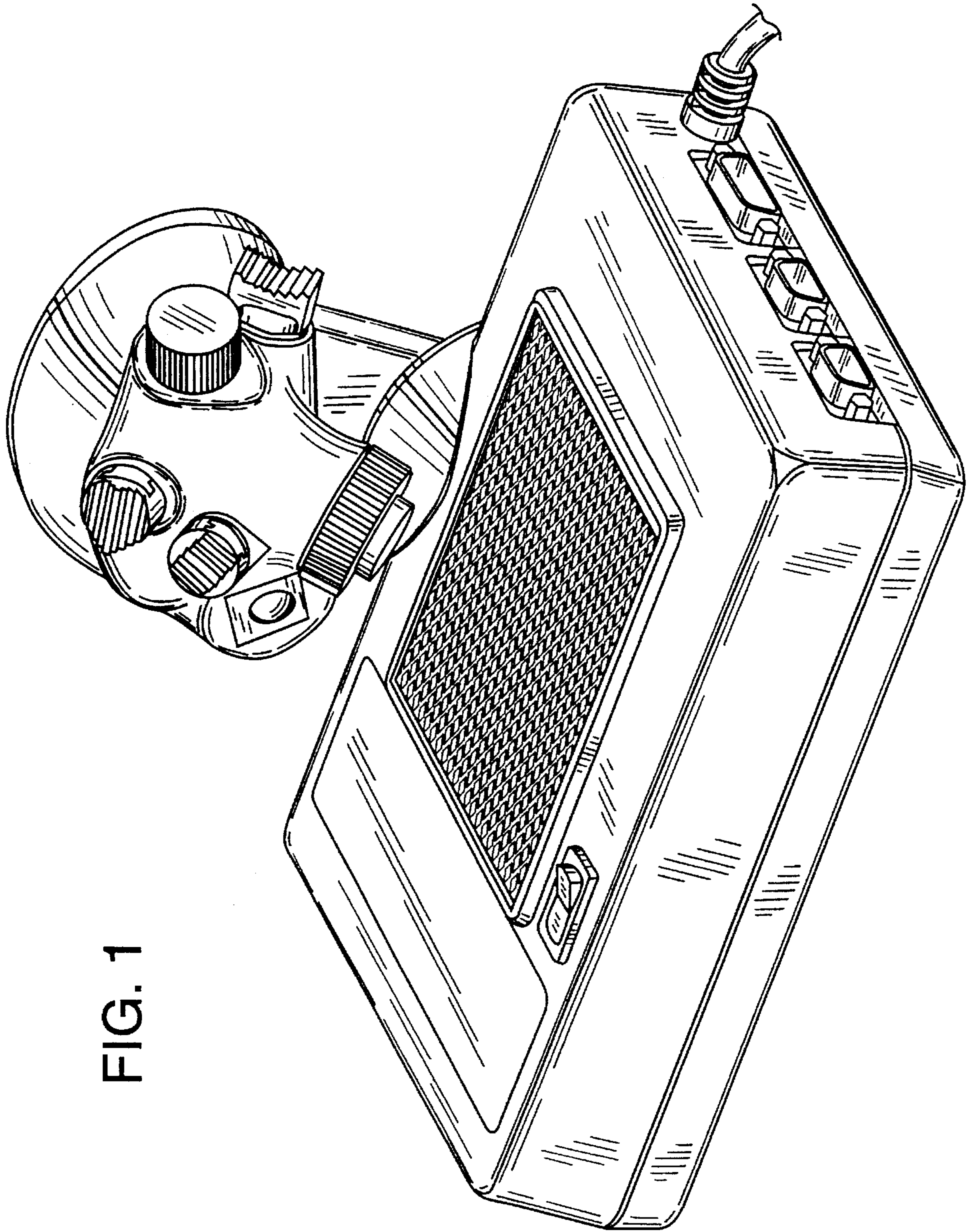


FIG. 1

FIG. 2

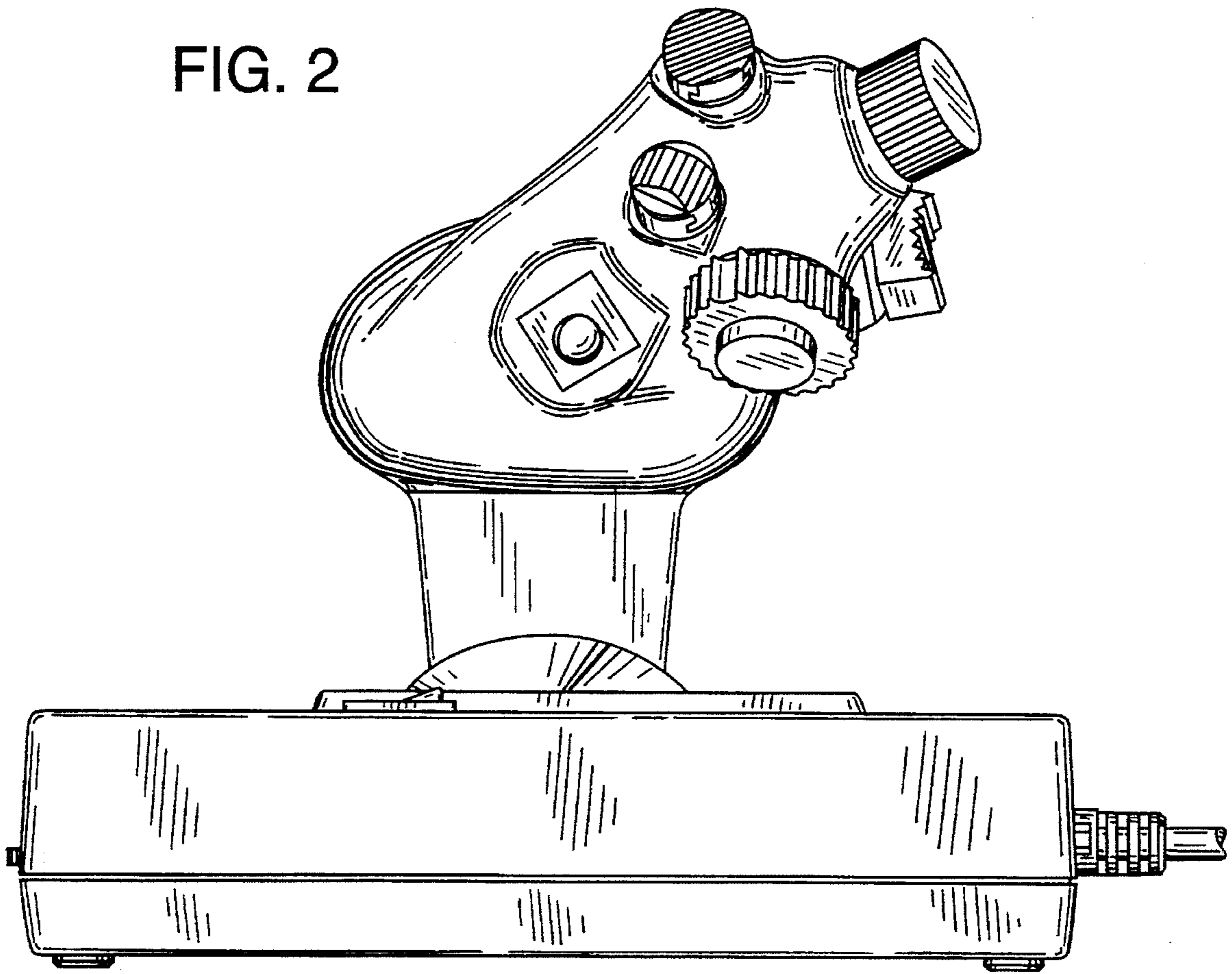


FIG. 3

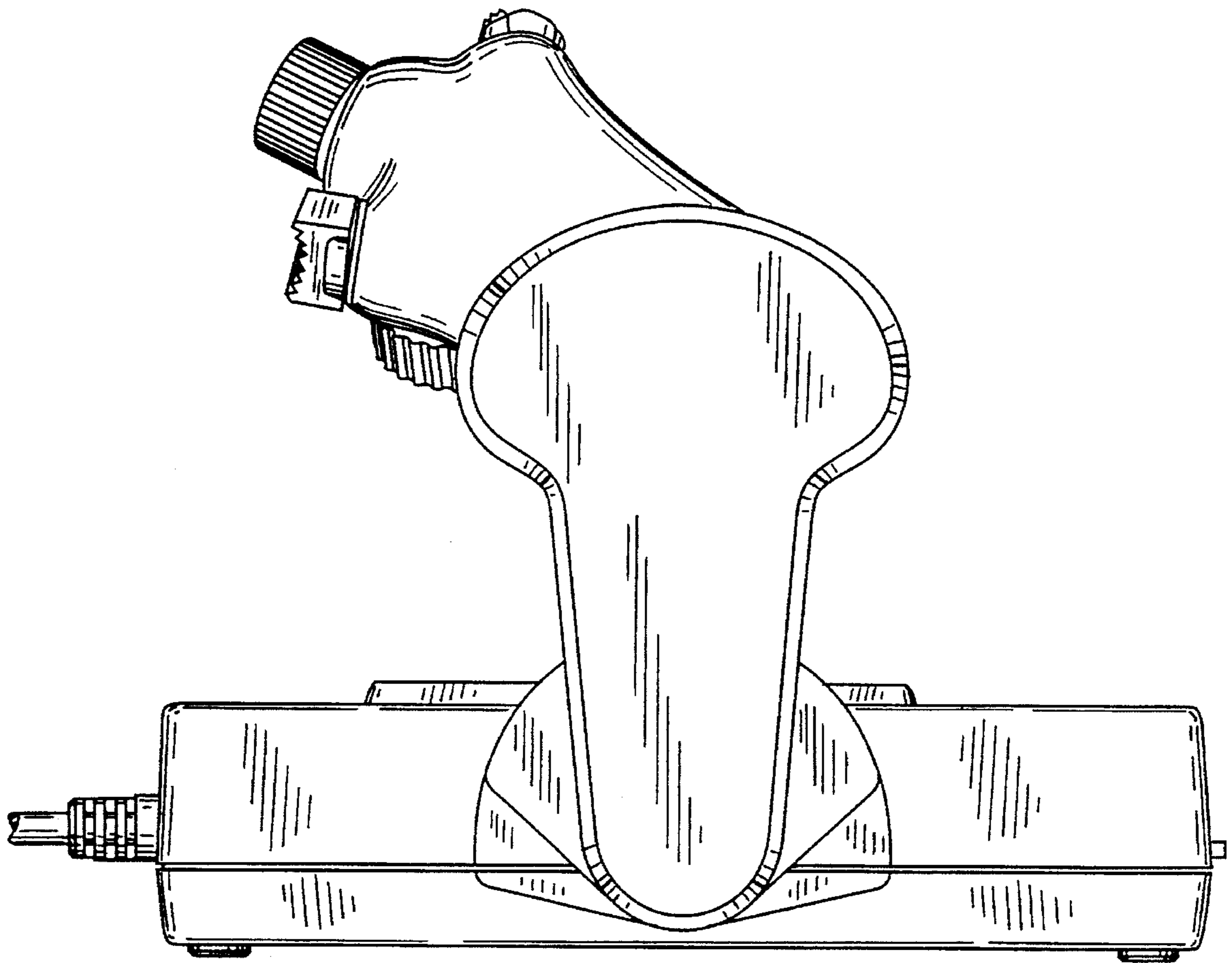


FIG. 4

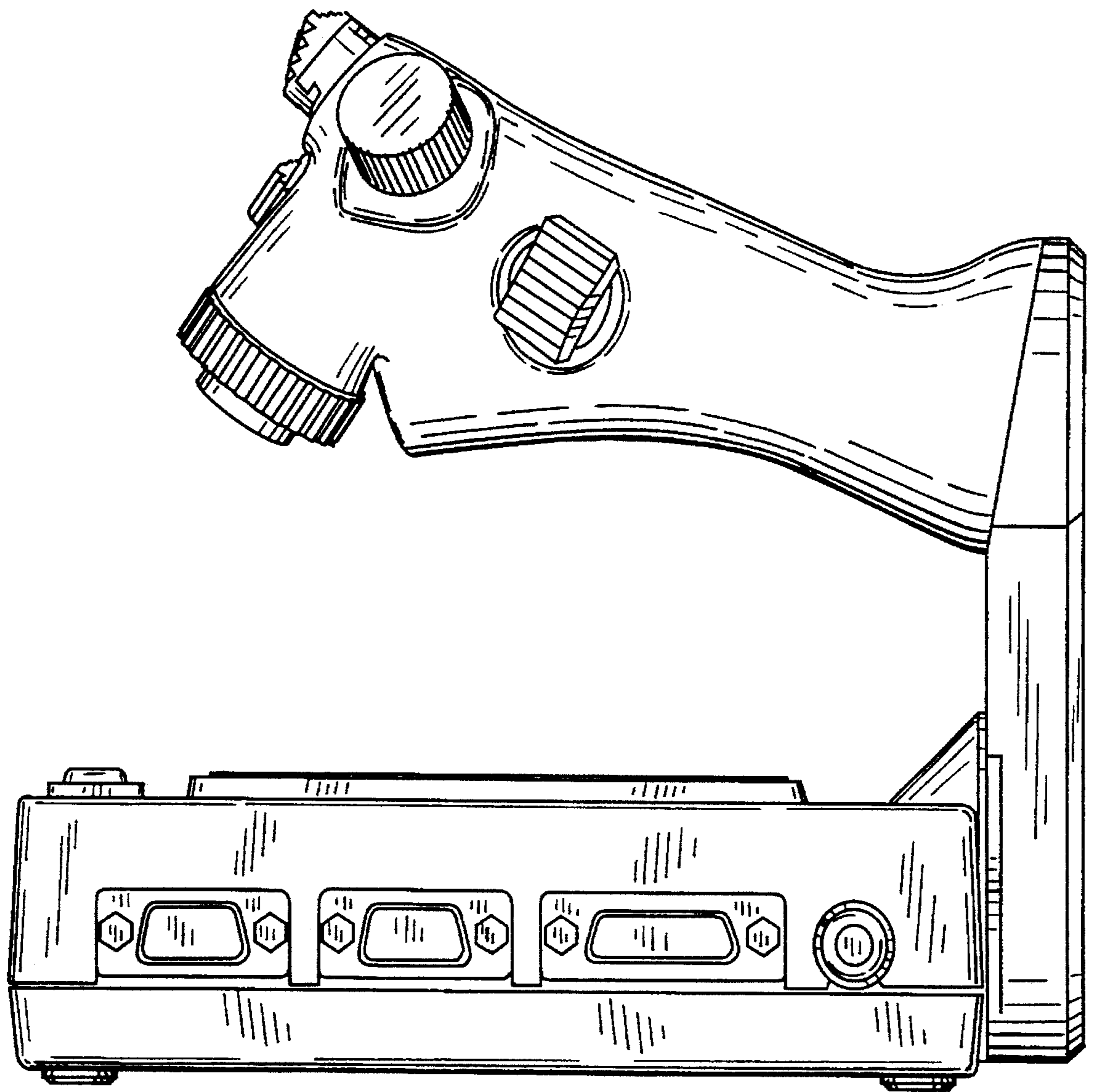


FIG. 5

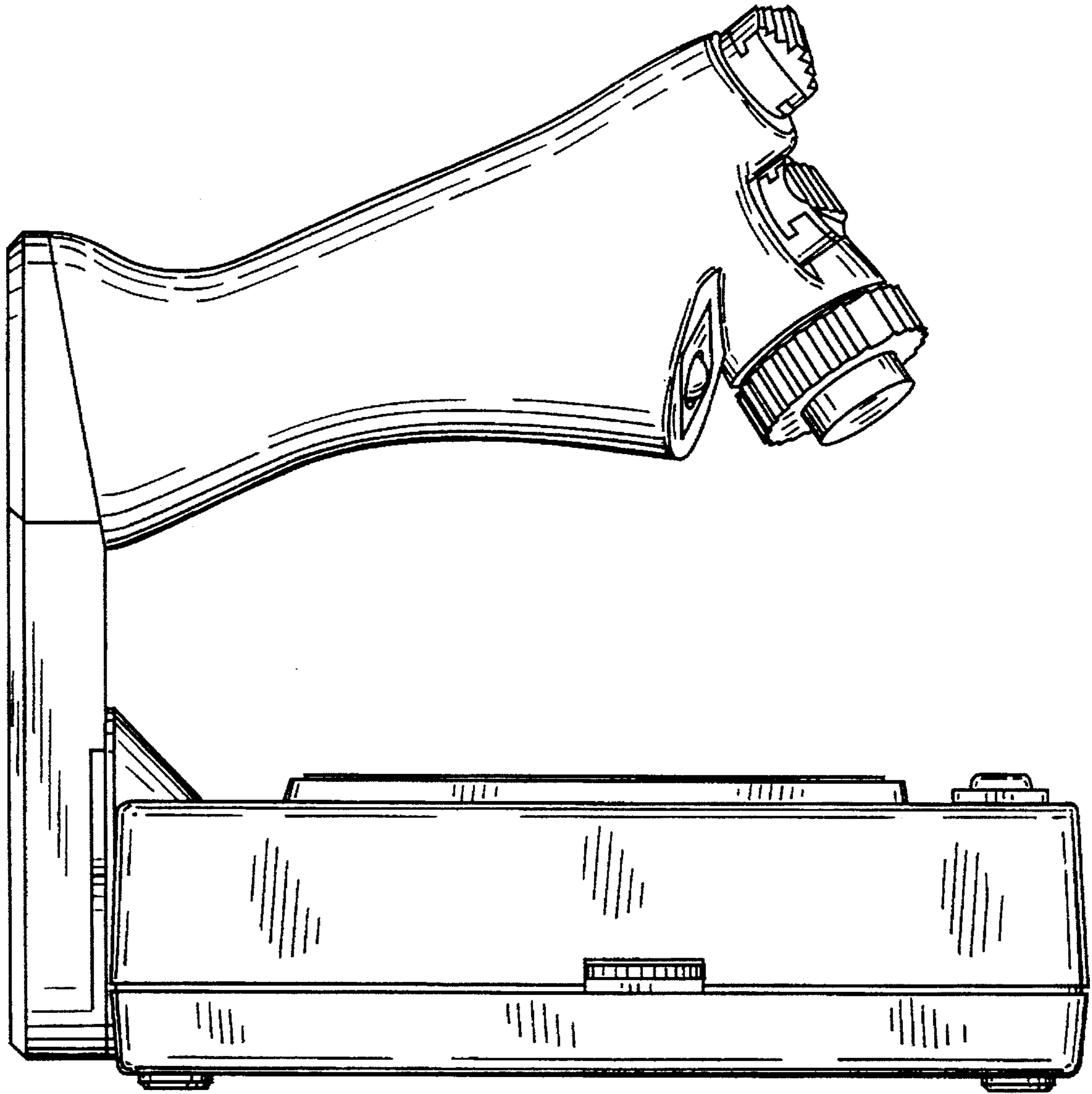


FIG. 6

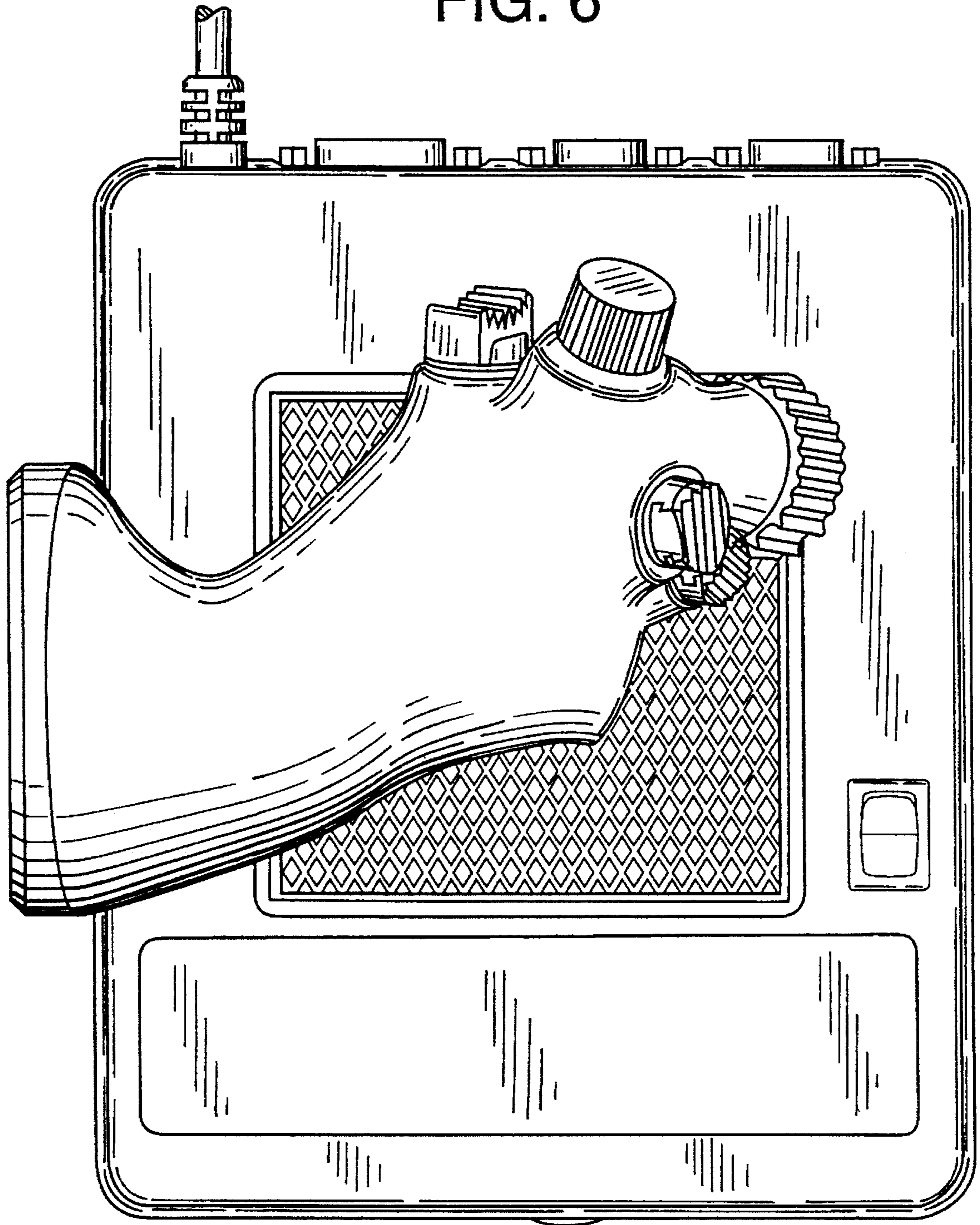


FIG. 7

