



US00D365596S

United States Patent [19]

Miyazawa et al.

[11] Patent Number: **Des. 365,596**

[45] Date of Patent: ****Dec. 26, 1995**

[54] INK CARTRIDGE FOR INK JET PRINTER

[75] Inventors: **Hisashi Miyazawa; Takao Kobayashi; Tatsuya Seshimo; Seiji Mochizuki**, all of Suwa, Japan

[73] Assignee: **Seiko Epson Corporation**, Tokyo, Japan

[**] Term: **14 Years**

[21] Appl. No.: **23,928**

[22] Filed: **Jun. 3, 1994**

[52] U.S. Cl. **D18/56**; 347/86

[58] Field of Search D18/12, 56; 347/86, 347/87, 85; 400/208, 234

[56] References Cited

U.S. PATENT DOCUMENTS

D. 279,581	7/1985	Juliana et al.	D18/56
D. 351,190	10/1994	Oshima et al.	D18/56
4,156,244	5/1979	Erikson et al.	347/86
4,491,433	1/1985	Shiurila et al.	347/85
4,679,058	7/1987	Hori	347/86
4,920,360	4/1990	Terasawa et al.	347/86
4,969,759	11/1990	Suzuki et al.	400/124
5,119,115	6/1992	Buat et al.	347/86
5,153,612	10/1992	Dunn et al.	347/87
5,187,498	2/1993	Burger	347/86
5,231,425	7/1993	Masuda et al.	347/87
5,314,257	5/1994	Cheng	D18/56

FOREIGN PATENT DOCUMENTS

523635	1/1993	European Pat. Off.	347/87
594124	4/1994	European Pat. Off.	347/87
3239062	10/1988	Japan	347/87
3101945	4/1991	Japan	347/87
5000514	1/1993	Japan	347/87
61-26976	5/1994	Japan	347/86

OTHER PUBLICATIONS

Hewlett Packard Journal ©1988; cover sheet; Color Thermal Print Cartridge.

Primary Examiner—Cathy Anne MacCormac
Attorney, Agent, or Firm—Stroock & Stroock & Lavan

[57] CLAIM

The ornamental design for an ink cartridge for ink jet printer, as shown.

DESCRIPTION

FIG. 1 is a perspective view of the ink cartridge for ink jet printer in accordance with my new design; FIG. 2 is a front elevational view thereof; FIG. 3 is a rear elevational view thereof; FIG. 4 is a left side view thereof; FIG. 5 is a right side view thereof; FIG. 6 is a top plan view thereof; and, FIG. 7 is a bottom plan view thereof.

1 Claim, 2 Drawing Sheets

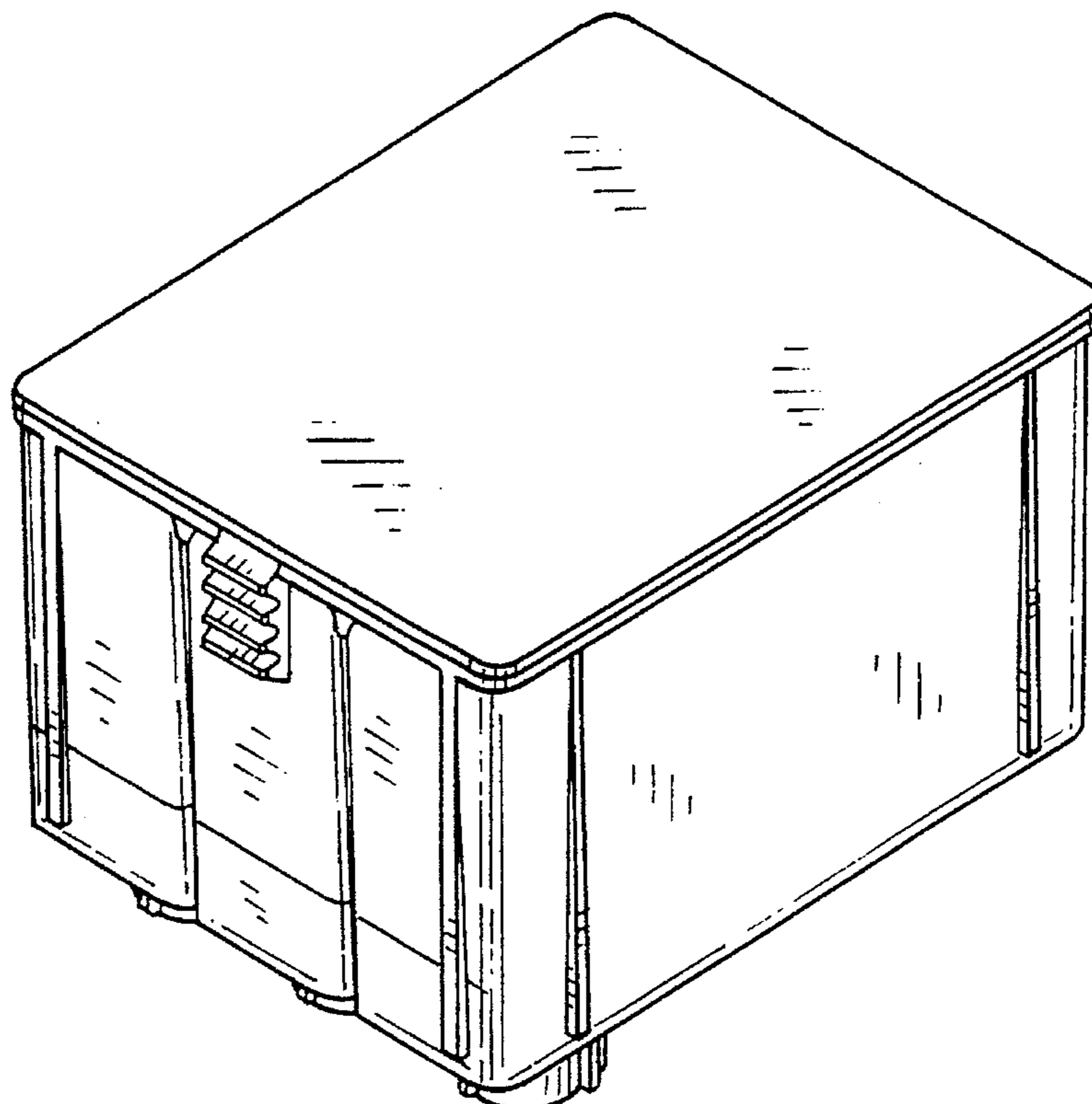


FIG. 1

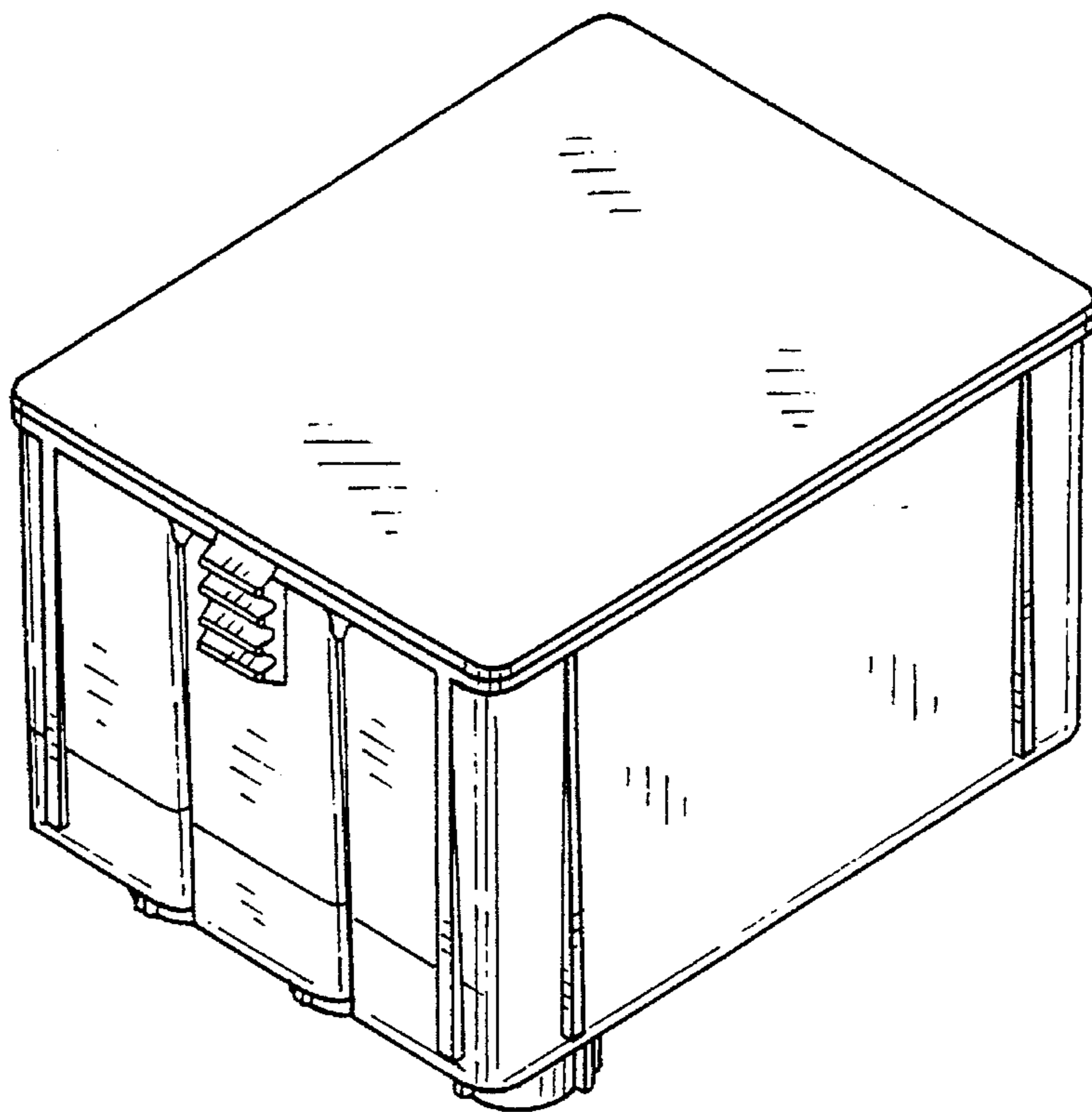


FIG. 2

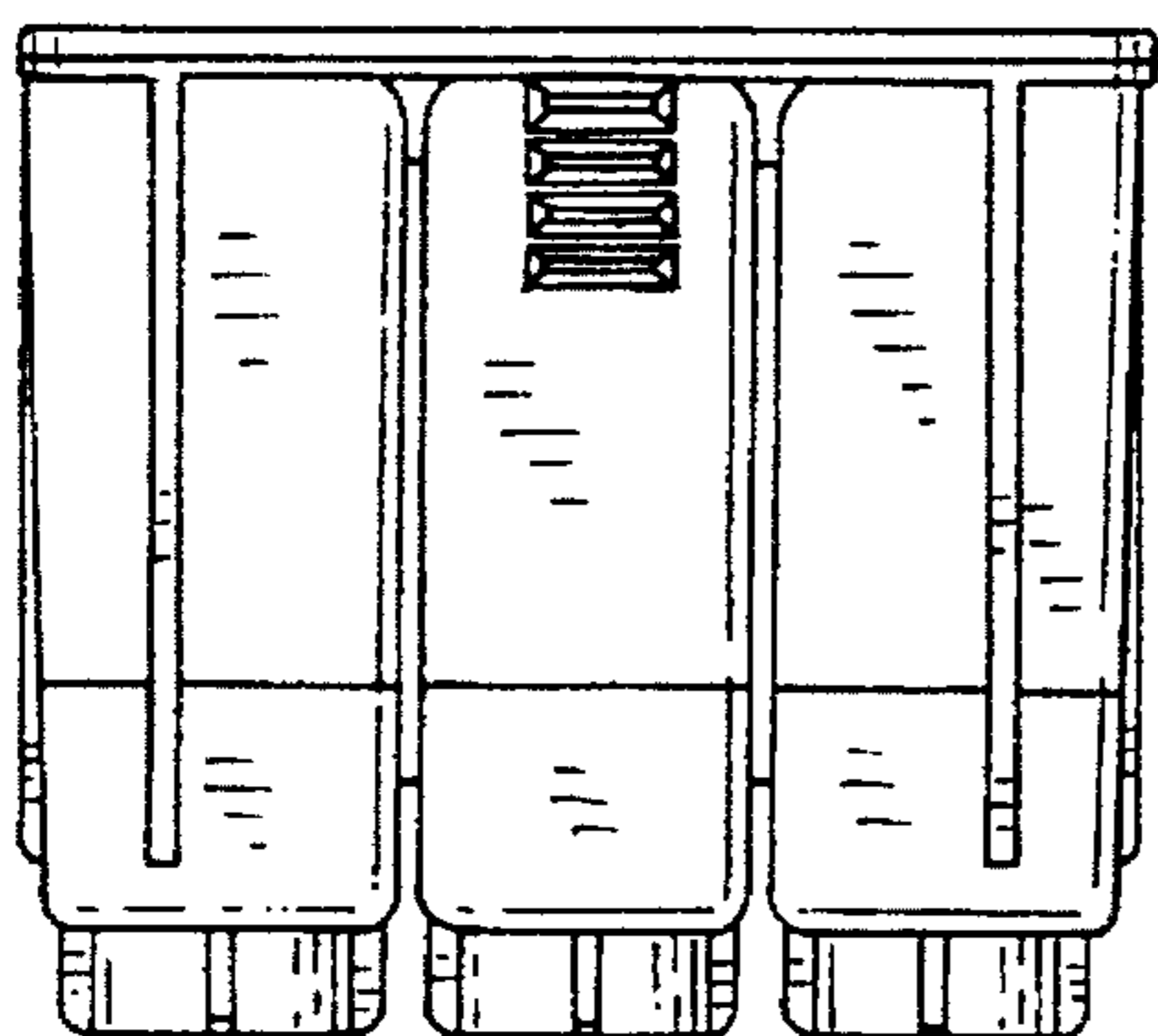


FIG. 3

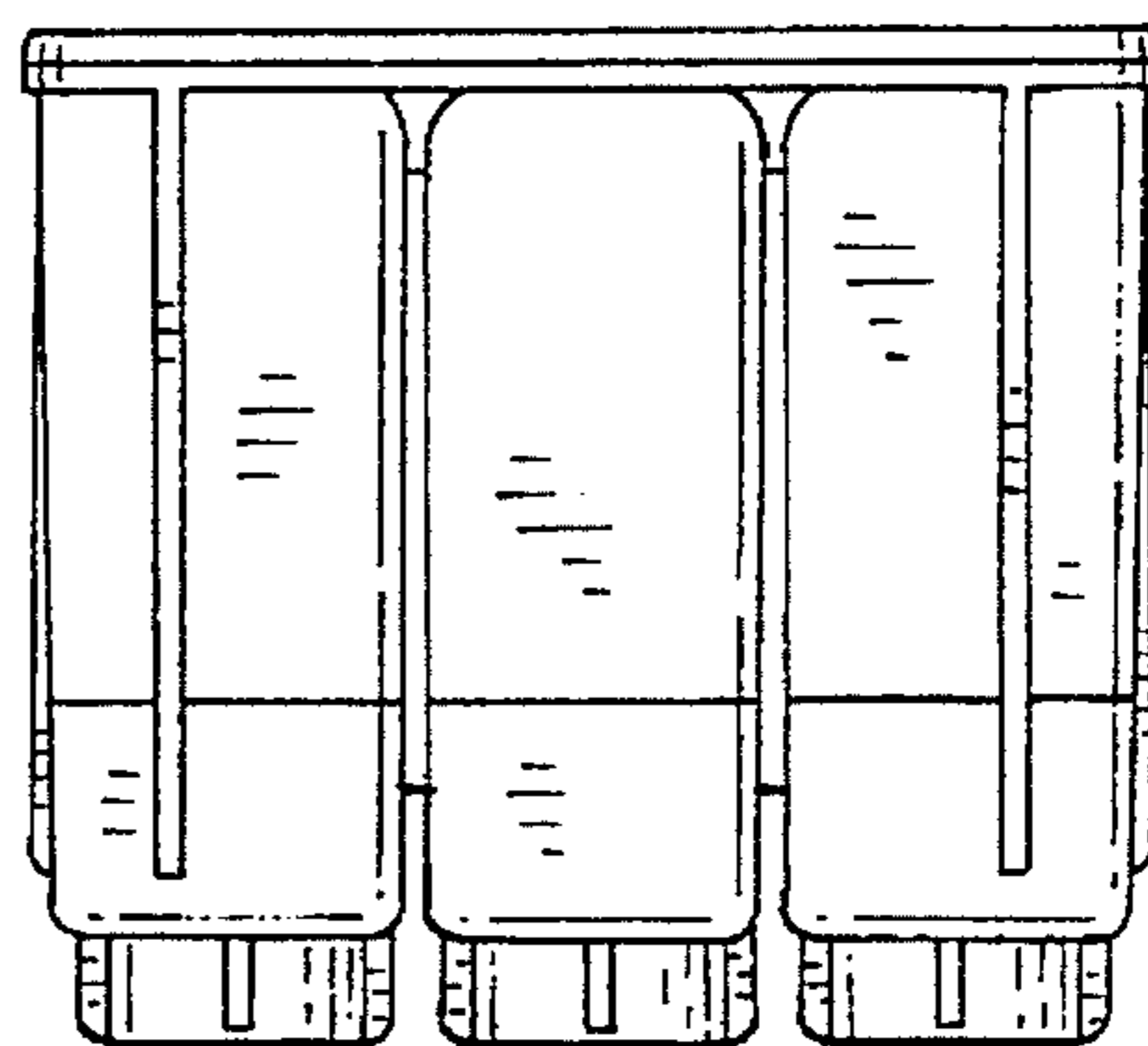


FIG. 4

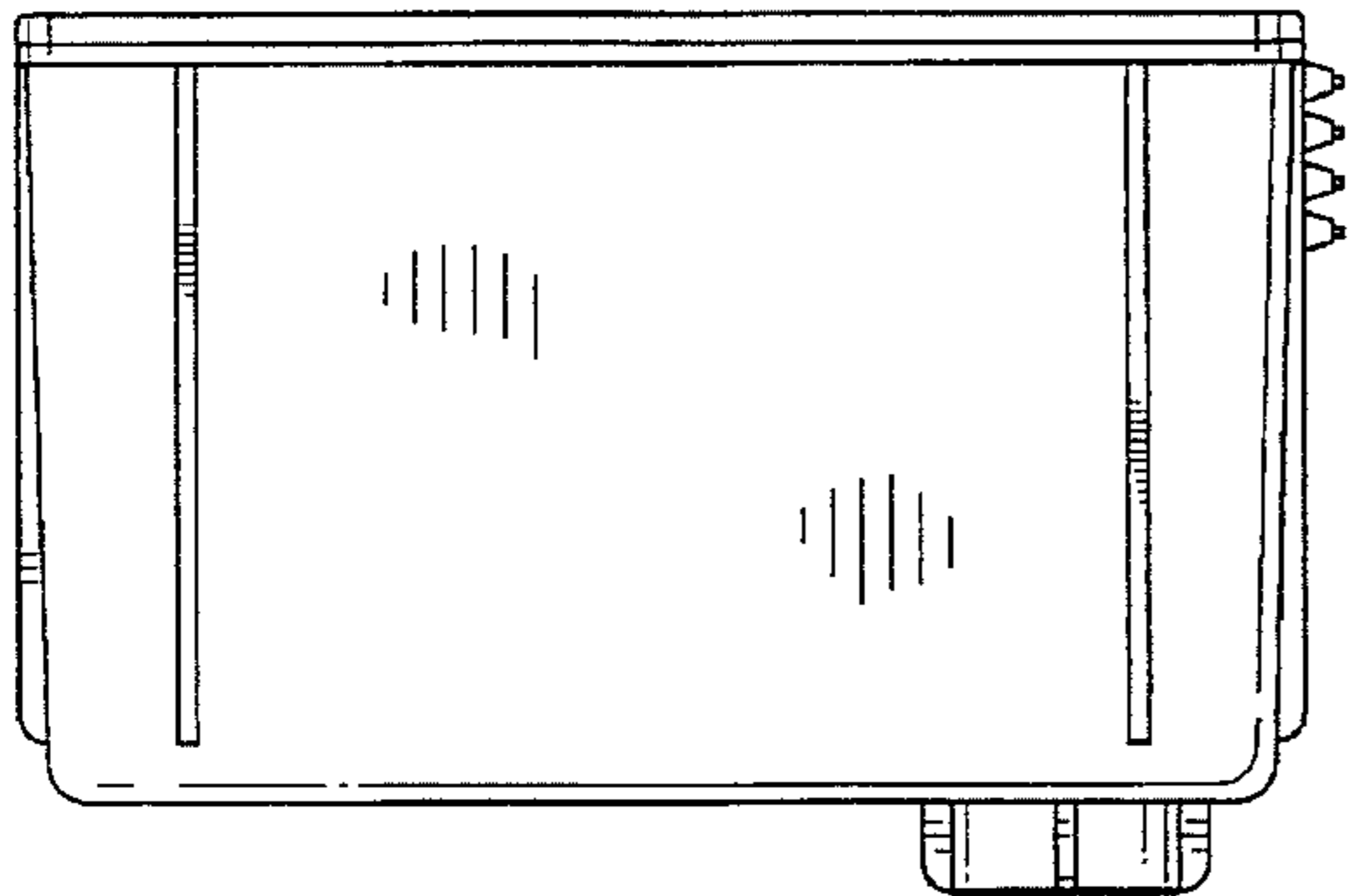


FIG. 5

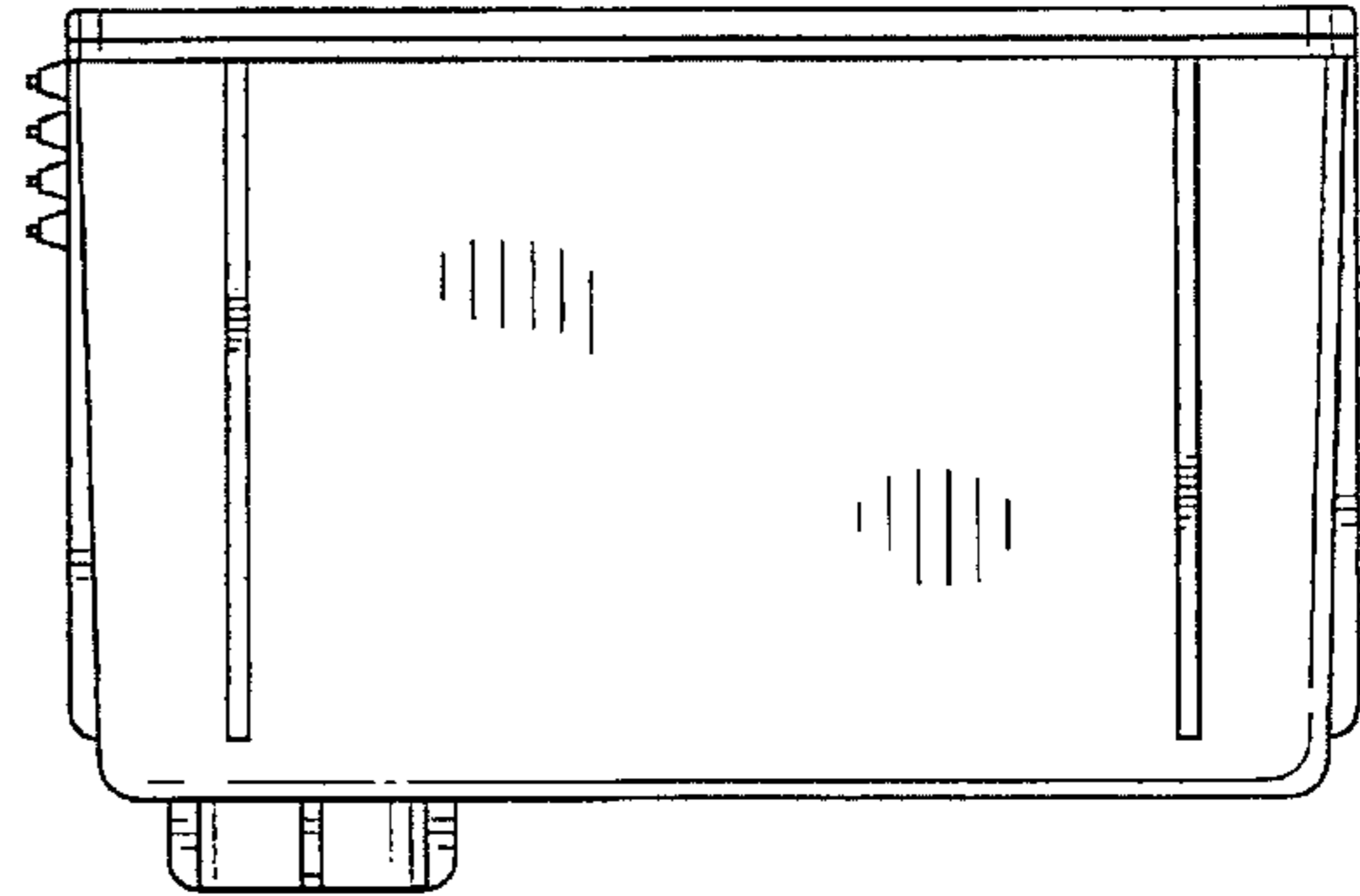


FIG. 6

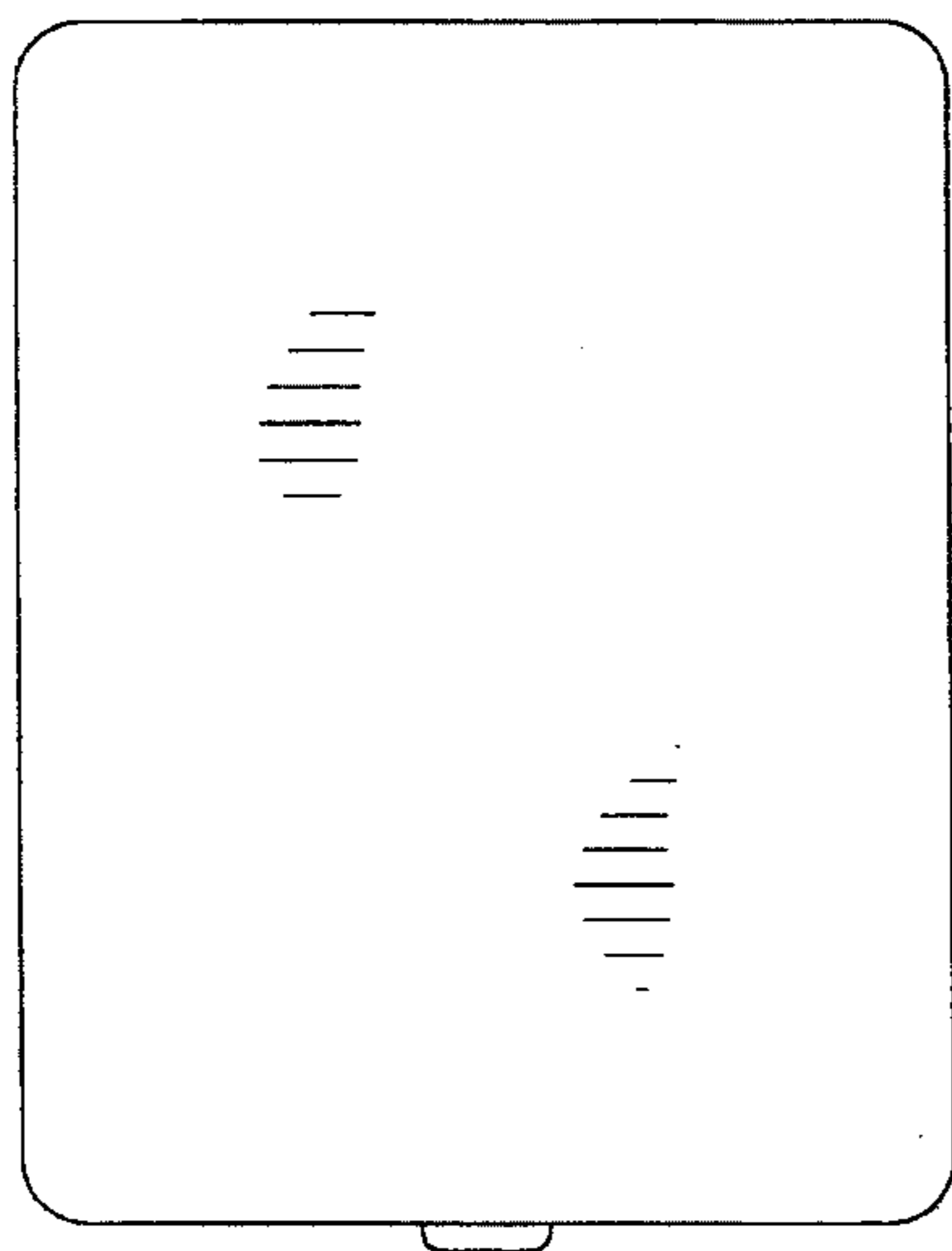


FIG. 7

