



US00D365593S

United States Patent [19] Leonardi

[11] Patent Number: **Des. 365,593**

[45] Date of Patent: ****Dec. 26, 1995**

[54] **SPORTS PAD FOR EYEWEAR FRAMES**

[75] Inventor: **Peter F. Leonardi**, Gloversville, N.Y.

[73] Assignee: **Halo Sports and Safety, Inc.**,
Gloversville, N.Y.

[**] Term: **14 Years**

[21] Appl. No.: **18,701**

[22] Filed: **Feb. 14, 1994**

[52] U.S. Cl. **D16/330**

[58] Field of Search D16/101, 300,
D16/309, 311, 314, 330, 335, 336, 339,
900; 351/111, 119, 121, 123, 157, 158,
48, 58, 59; 2/425, 430, 431, 436, 439, 440,
14, 426, 438, 450, 452

[56] **References Cited**

U.S. PATENT DOCUMENTS

D. 256,290	8/1980	Solari	D16/311
D. 342,536	12/1993	Korny	D16/330
1,288,140	12/1918	Nixson	2/439
1,344,474	6/1920	Beattey .	
1,754,694	4/1930	Neuwirth	2/440
2,406,608	8/1946	Joyce	2/450
2,482,144	9/1949	Allen	D16/330
2,504,524	4/1950	Hayward	2/452
2,545,428	3/1951	Liautaud	2/14
2,554,630	5/1951	Miller	351/158
2,755,803	7/1956	Dorsey	2/426
3,584,939	6/1971	Olson et al.	351/132
3,993,403	11/1976	Brown	351/178
4,176,410	12/1979	Matthias	2/436
4,222,640	9/1980	Bononi	351/83
4,229,837	10/1980	Solari	2/439
4,367,561	1/1983	Solari	2/439
4,688,272	8/1987	Leonardi	2/431
5,016,293	5/1991	Lickle	2/436
5,033,837	7/1991	Leonardi	351/121
5,042,094	8/1991	Sadowsky	2/439
5,046,198	9/1991	Hunnebeck	2/440
5,056,163	10/1991	Chou	2/431
5,137,342	8/1992	Jannard et al.	351/123
5,138,723	8/1992	Bollé	2/430
5,184,354	2/1993	Alfaro et al.	2/425

FOREIGN PATENT DOCUMENTS

1535556 7/1968 France .
215693 5/1924 United Kingdom .
8600012 1/1986 WIPO 351/114 .

Primary Examiner—Ted Shooman
Assistant Examiner—R. Barkay
Attorney, Agent, or Firm—Roylance, Abrams, Berdo & Goodman

[57] **CLAIM**

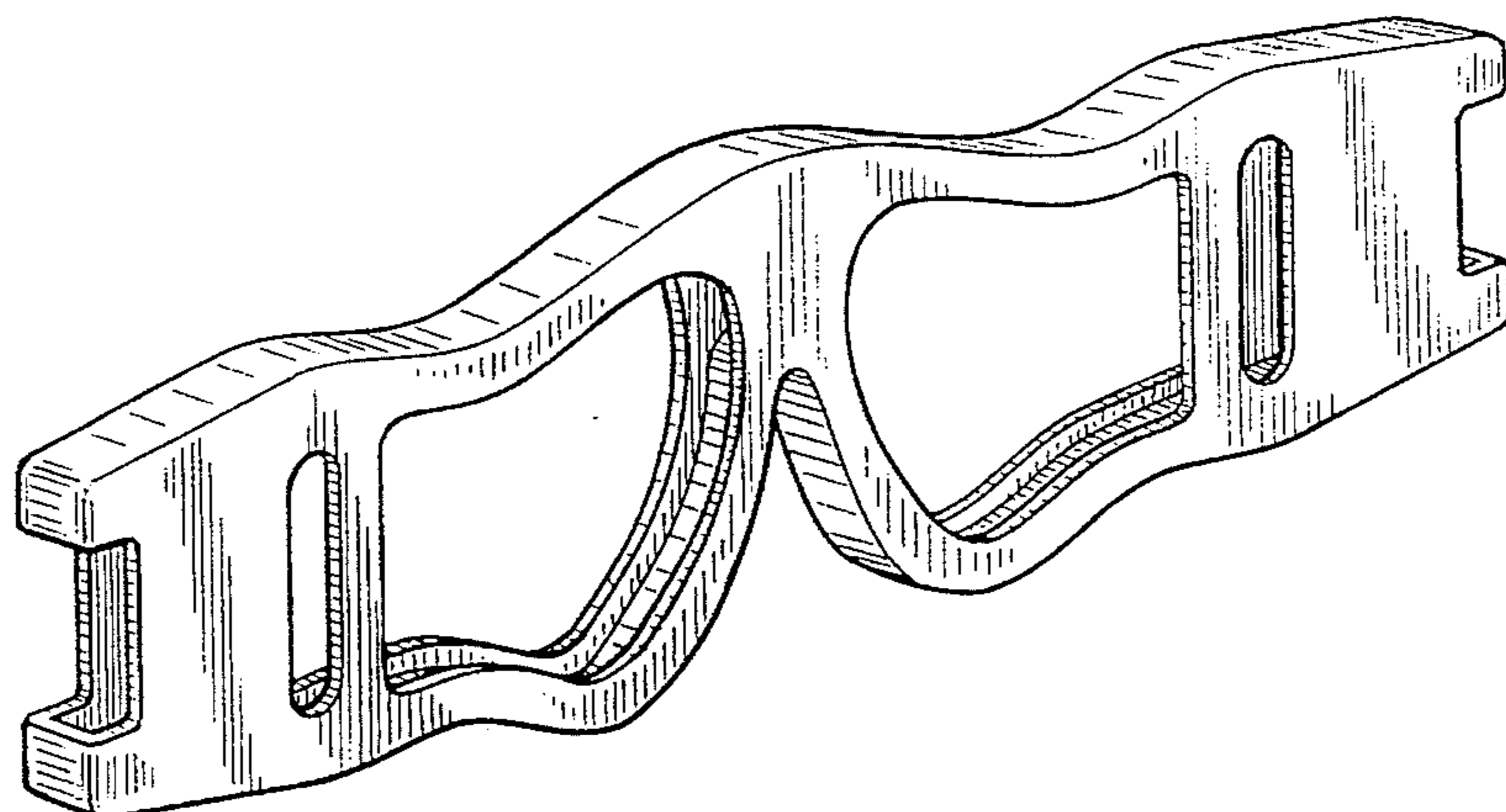
The ornamental design for a sports pad for eyewear frames, as shown and described.

DESCRIPTION

FIG. 1 is a front elevational view of the sports pad of my design in its normal, unstretched state prior to being stretched over a sports eyewear frame;
FIG. 2 is a rear elevational view of the sports pad shown in FIG. 1 in its normal unstretched state prior to being stretched over a sports eyewear frame;
FIG. 3 is a front perspective view of the sports pad shown in FIGS. 1 and 2 in its normal unstretched state;
FIG. 4 is a rear perspective view of the sports pad shown in FIGS. 1-3 in its normal unstretched state;
FIG. 5 is a front perspective view of the sports pad shown in FIGS. 1-4 in its stretched state with the sports eyewear frame removed for clarity;
FIG. 6 is a rear perspective view of the stretched sports pad shown in FIG. 5 with the sports eyewear frame removed for clarity;
FIG. 7 is a front perspective view of the stretched sports pad of my new design in combination with a sports eyewear frame shown in broken lines;
FIG. 8 is a rear elevational view of the stretched sports pad positioned over sports eyewear frame shown in FIG. 7;
FIG. 9 is a right end elevational view of the stretched sports pad positioned over the sports eyewear frame shown in FIG. 7 and 8; and,
FIG. 10 is a top plan view of the stretched sports pad positioned over the sports eyewear frame shown in FIGS. 7-9.

The broken line showing of the eyewear frame in FIGS. 7-9 is for illustrative purposes only and forms no part of the claimed design.

1 Claim, 5 Drawing Sheets



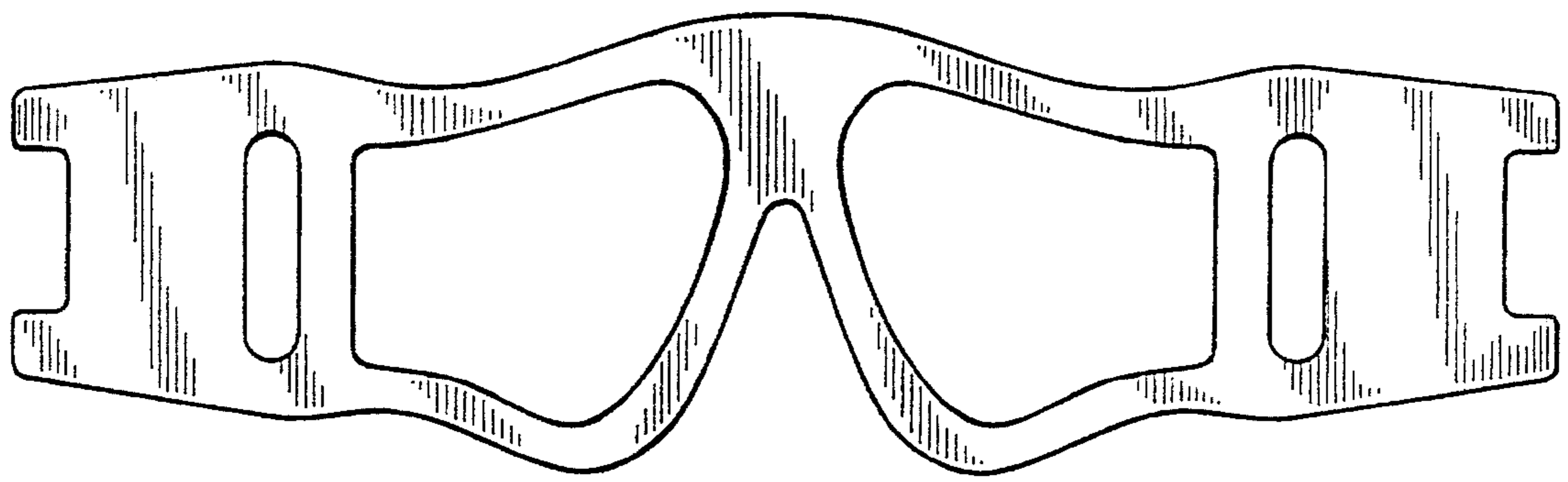


FIG. 1

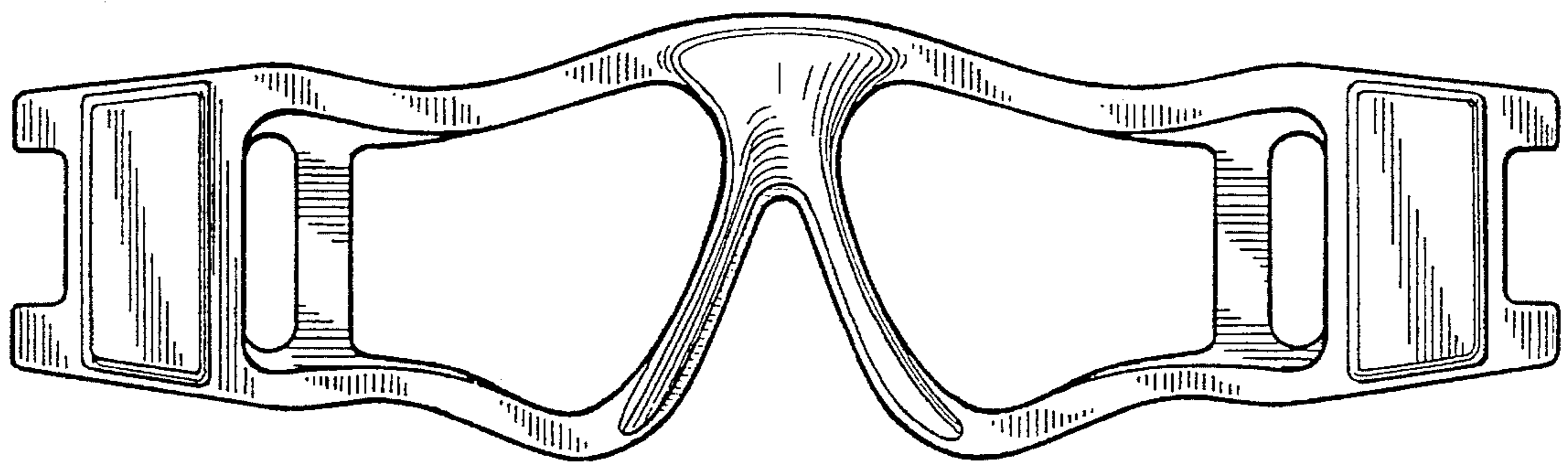


FIG. 2

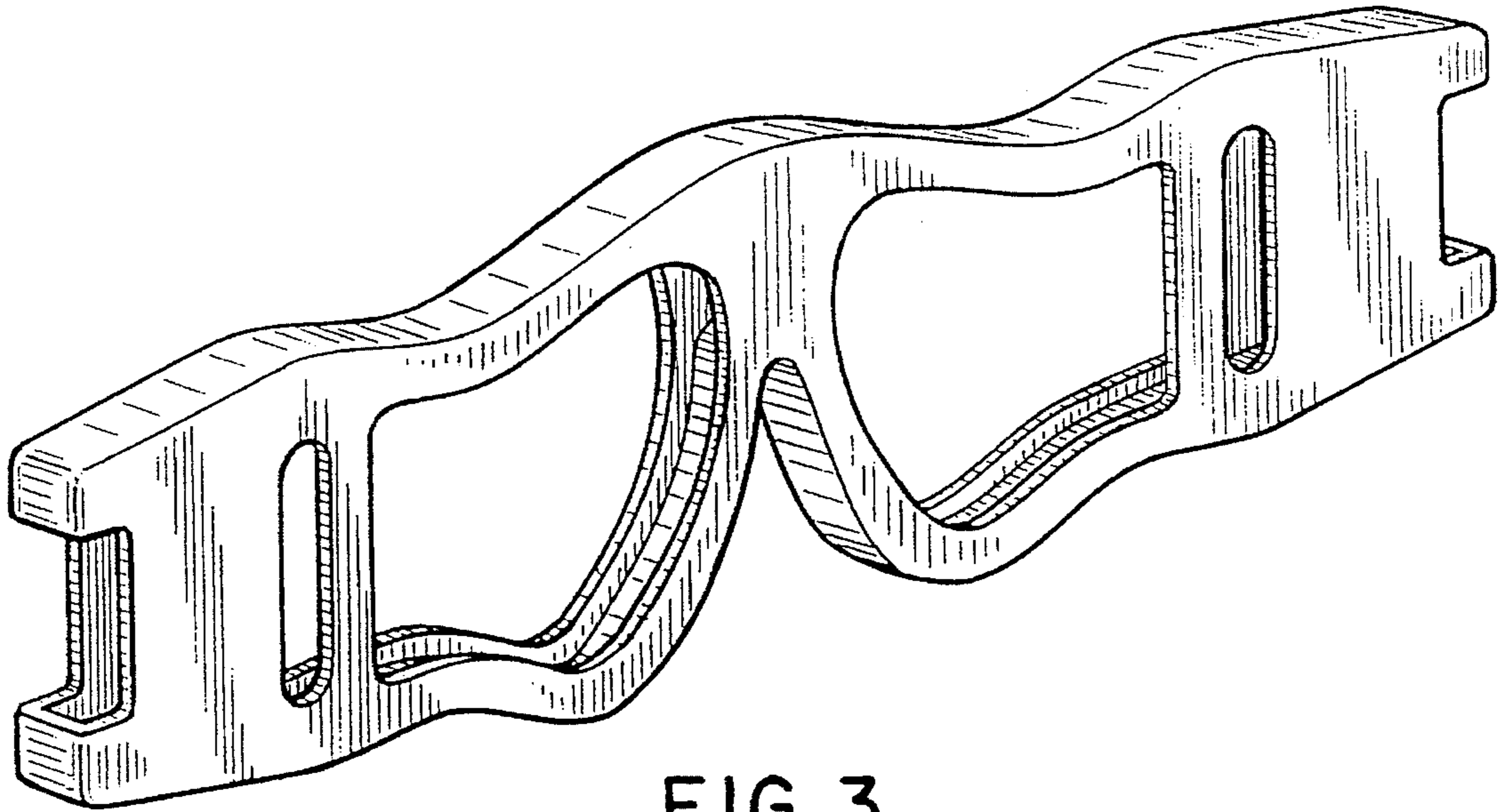


FIG. 3

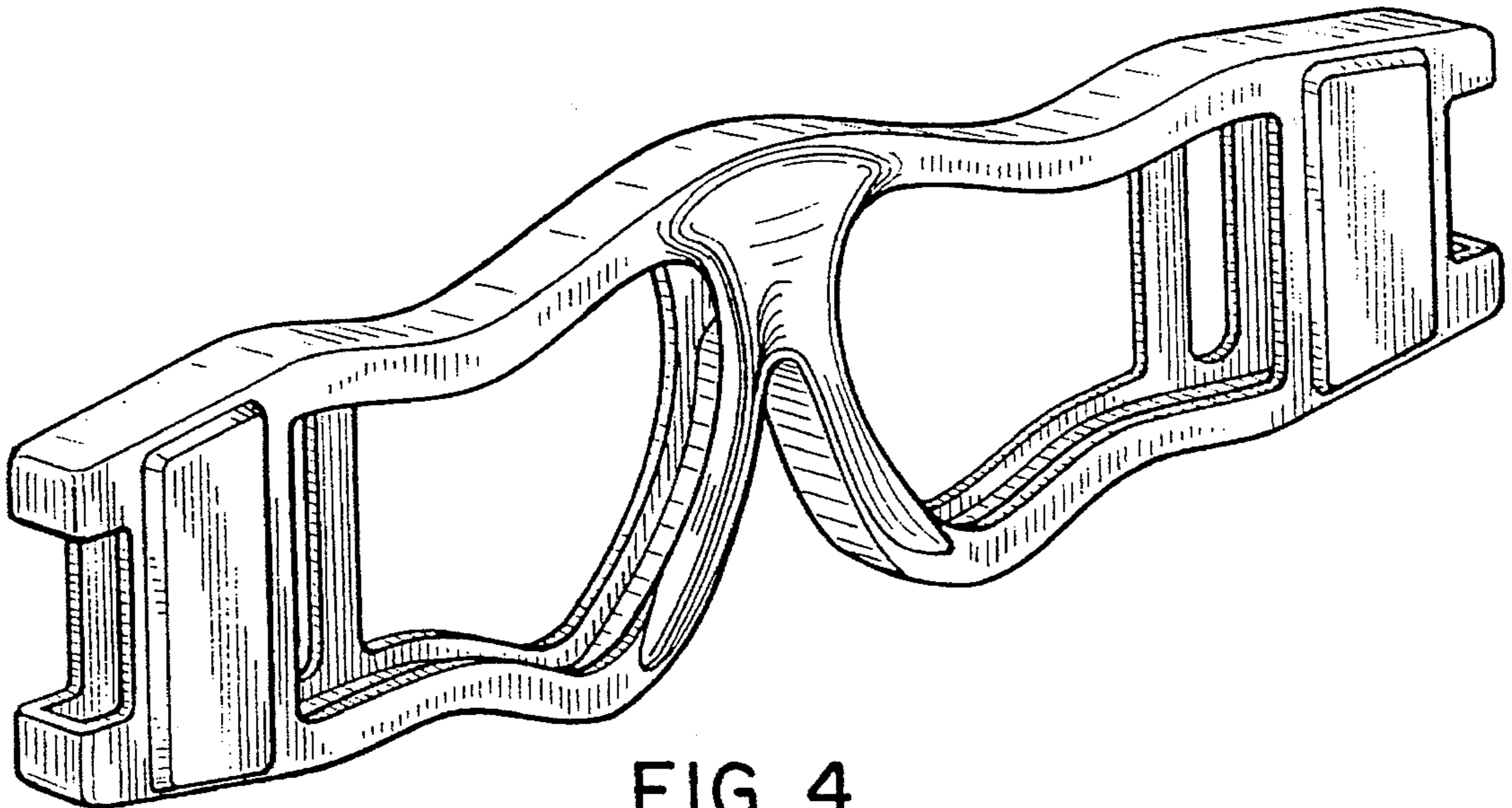


FIG. 4

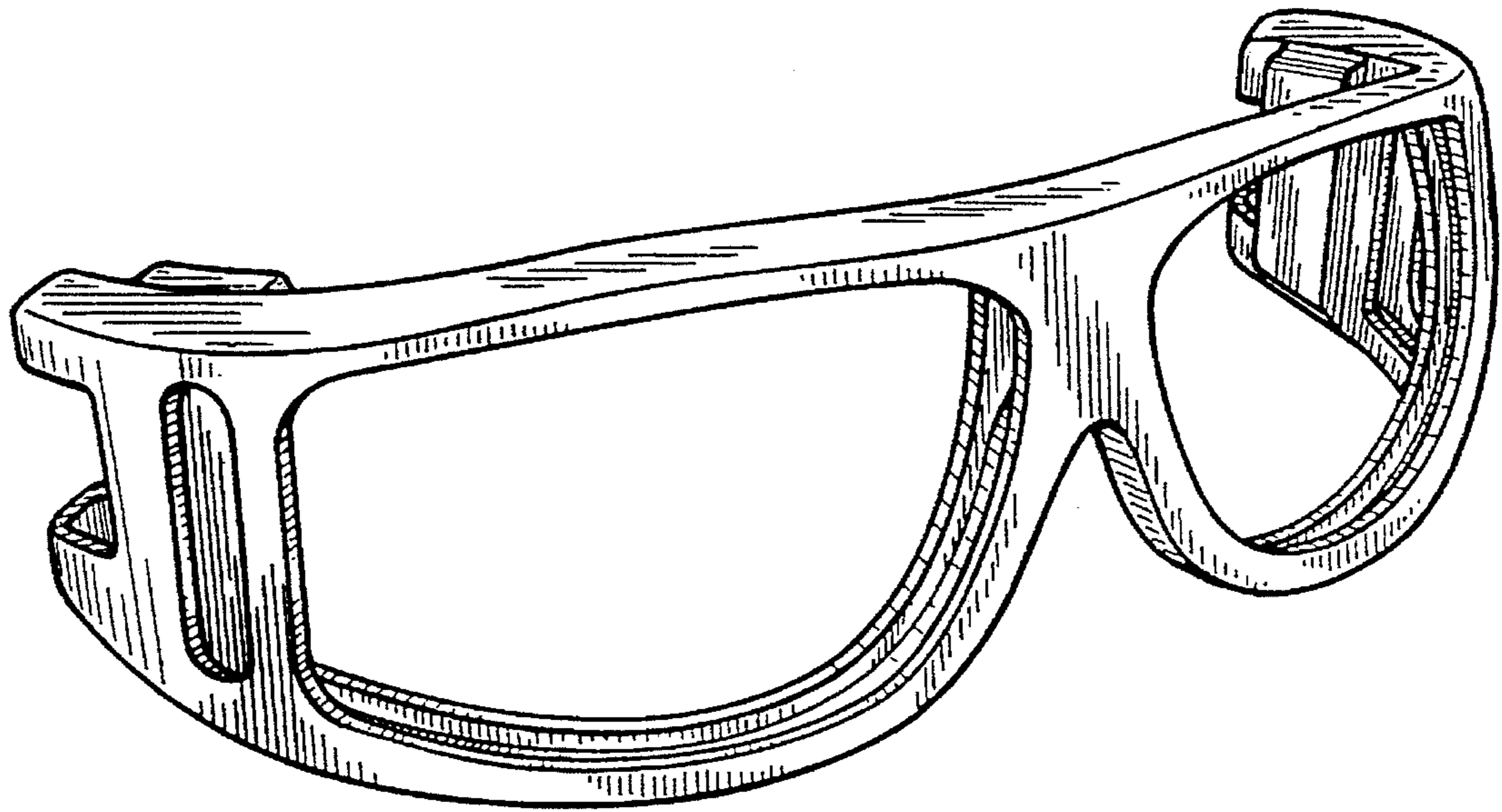


FIG. 5

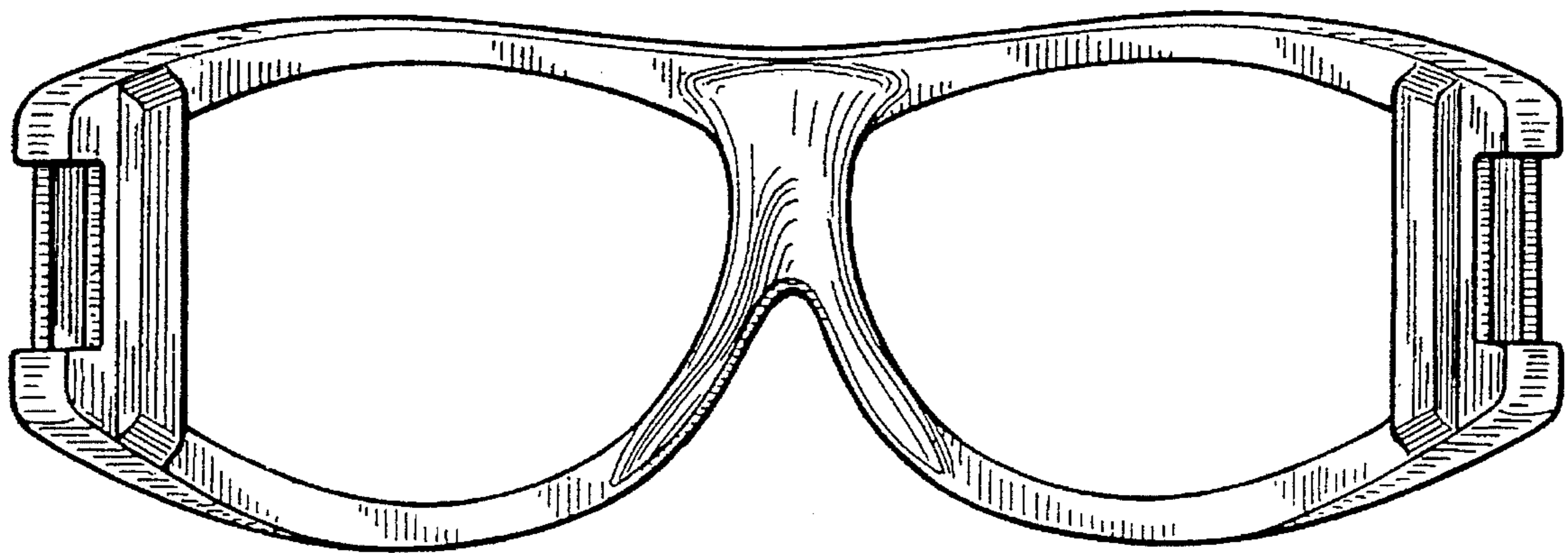


FIG. 6

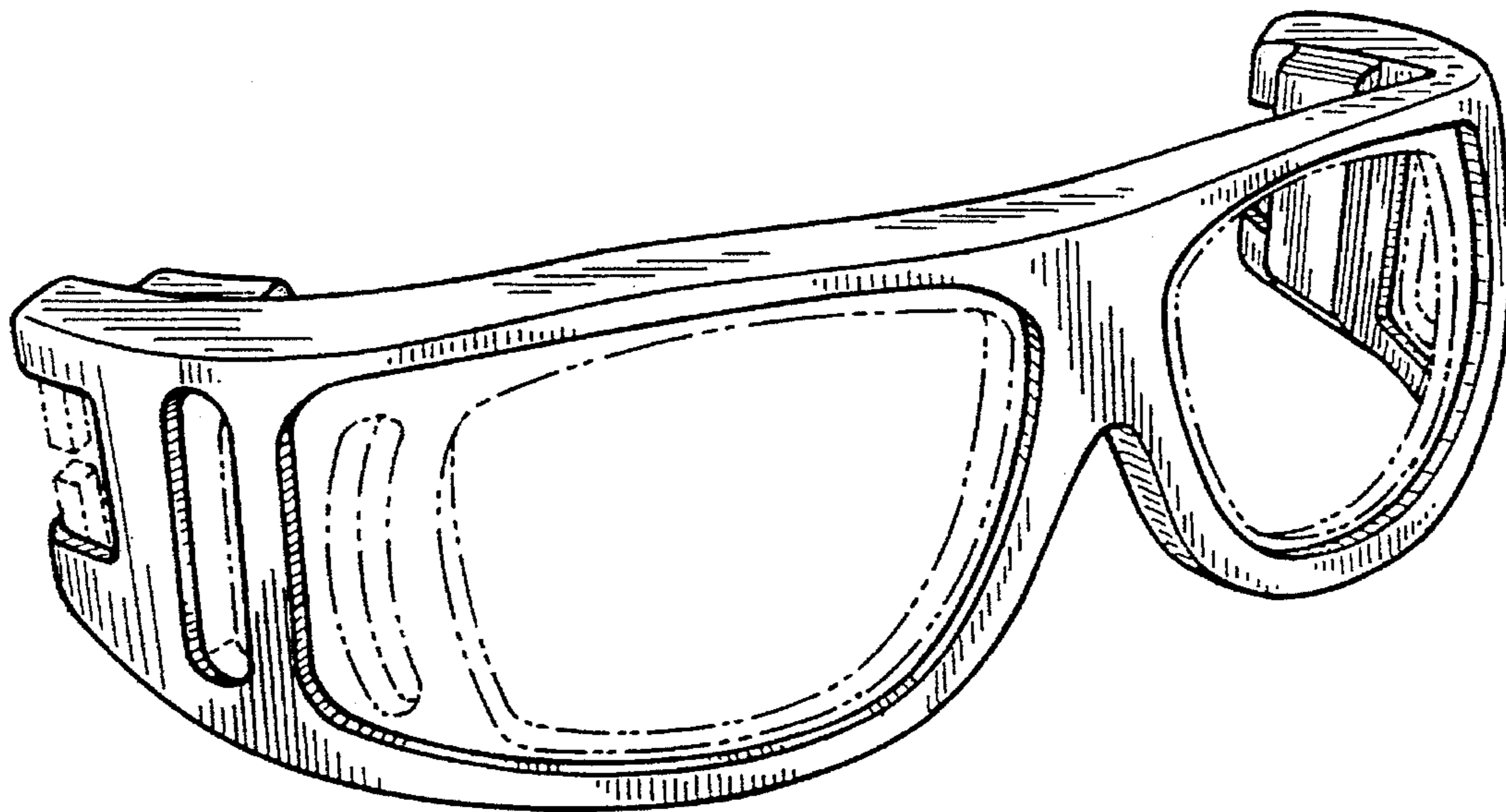


FIG. 7

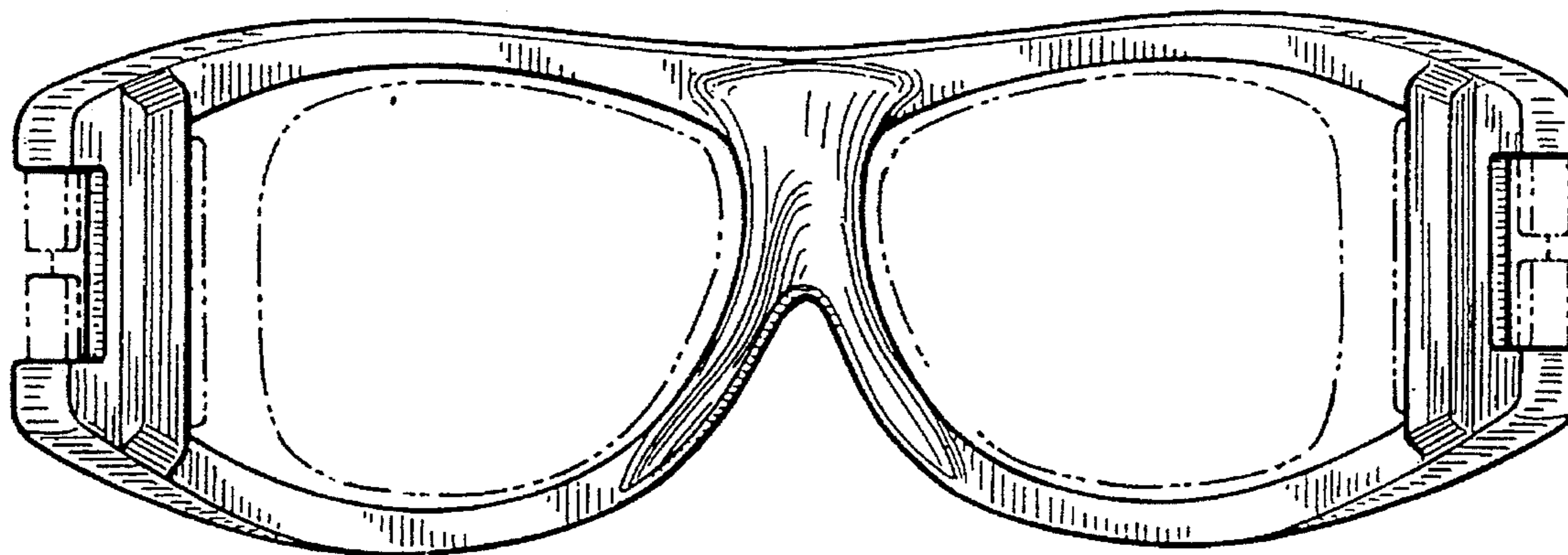


FIG. 8

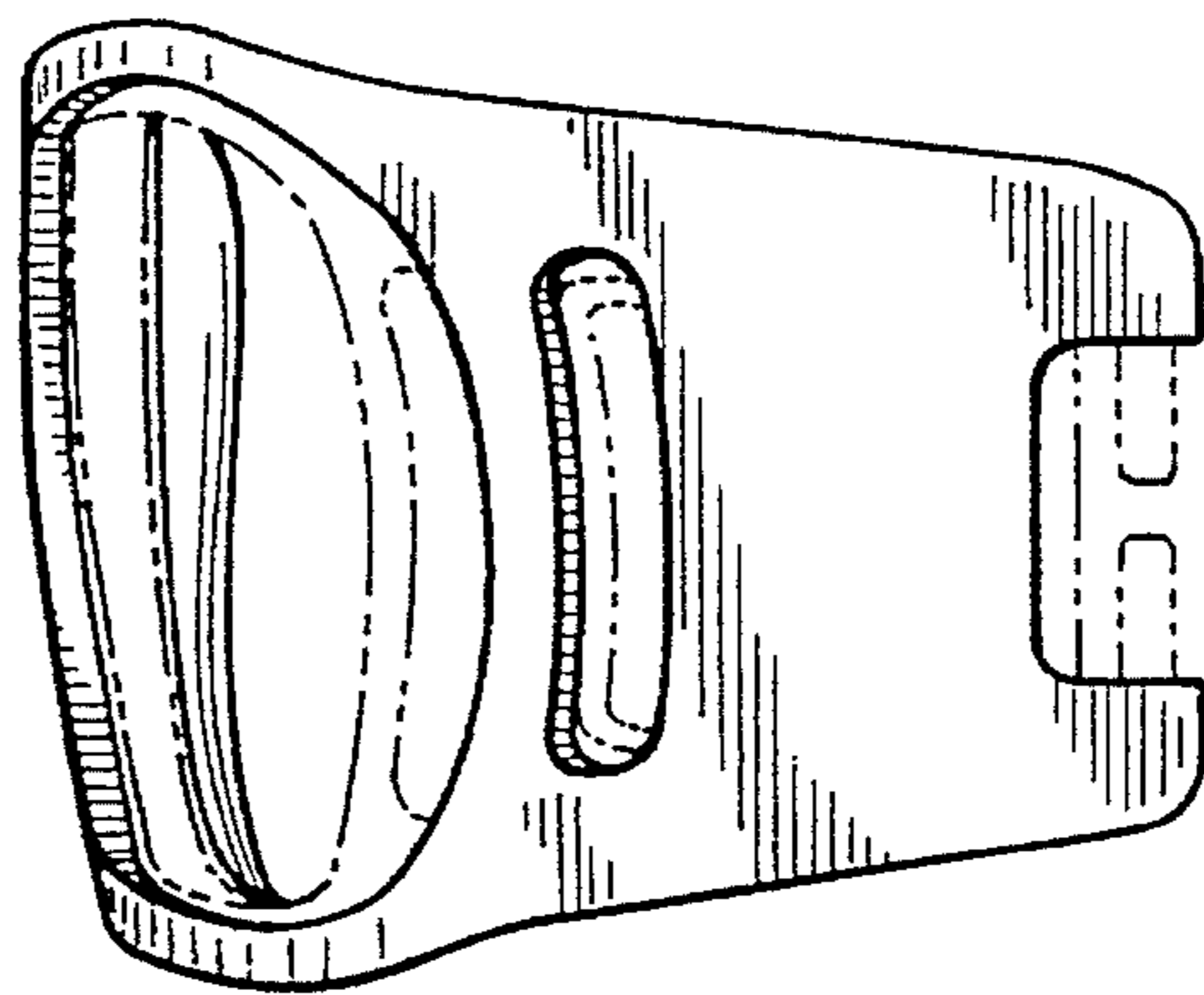


FIG. 9

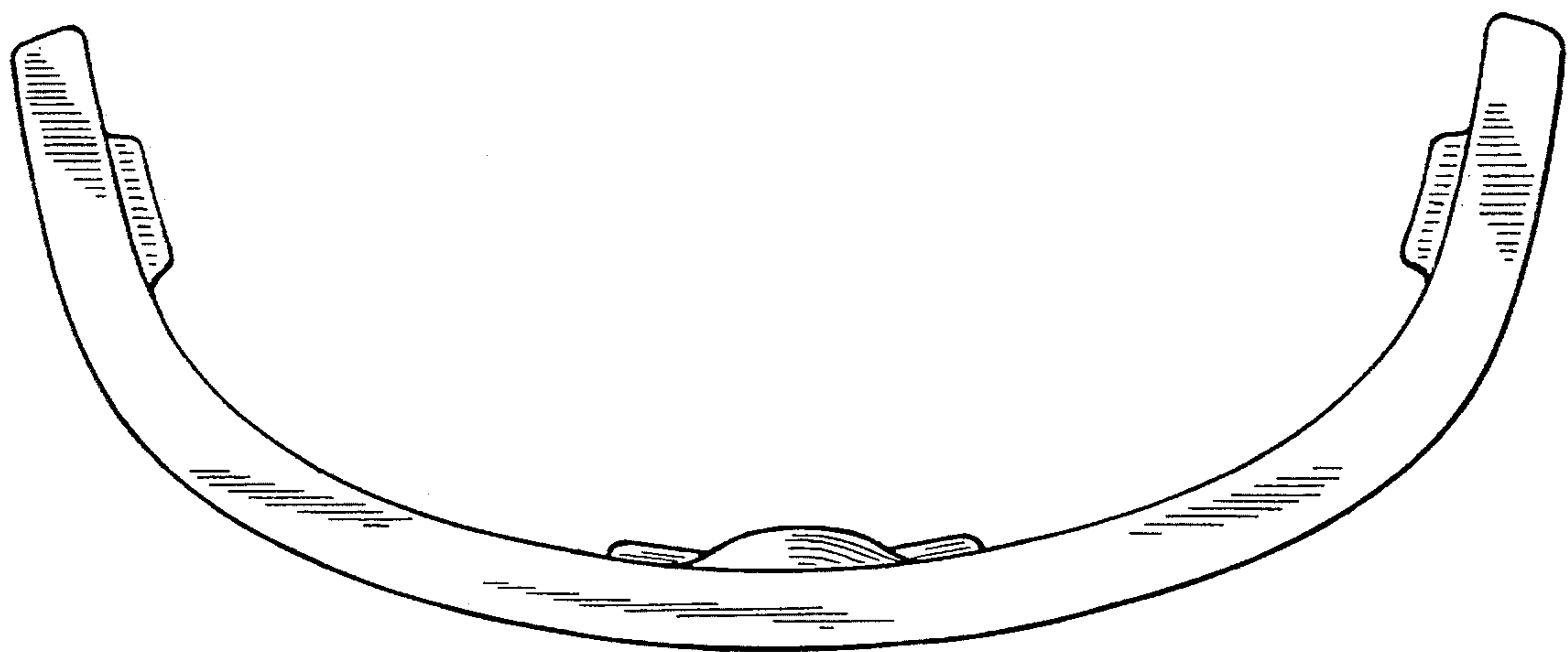


FIG. 10