



US00D365589S

United States Patent [19]

[11] Patent Number: **Des. 365,589**

Whitley et al.

[45] Date of Patent: ****Dec. 26, 1995**

[54] **MASK-STYLE FRAME FOR SUNGLASSES**

[76] Inventors: **James M. Whitley**, 2963 Morley Rd.;
William N. Whitley, 19315 Shaker
Blvd., both of Shaker Heights, Ohio
44122

[**] Term: **14 Years**

[21] Appl. No.: **16,626**

[22] Filed: **Dec. 20, 1993**

[52] U.S. Cl. **D16/311**

[58] Field of Search D16/301, 303,
D16/304, 306, 309, 311, 312; D21/190,
240; 446/27

[56] **References Cited**

U.S. PATENT DOCUMENTS

D. 112,614	12/1938	Payne	D16/311
D. 132,442	5/1942	Montgomery	D16/311
D. 150,474	8/1948	Stangl	D16/311
D. 158,020	4/1950	Spier	D16/301
D. 170,499	9/1953	Gloeckler	D21/190
D. 178,328	7/1956	Tilton	D16/311
D. 181,976	1/1958	Hanft	D21/190
377,835	2/1888	Lyman et al.	D16/301
1,274,257	7/1918	Furlong	446/27
1,596,019	8/1926	Nelson	D15/311
3,119,195	1/1964	Braunhut	446/27

FOREIGN PATENT DOCUMENTS

2595919	9/1987	France	446/27
---------	--------	--------------	--------

OTHER PUBLICATIONS

Washington Star Mag. Nov. 29, 1953, p. 31 "R11C".
Details, Mitchell B. Fox (Publisher), New York, Jun.-Jul.
1990 Issue, See Photos on pp. 2, 12, 15, 23, 44, 47, 48, 66,

68, 121, 123, 126, 135-139 & 154.

Pan Oceanic Eyewear Ltd, New York, 2-page brochure
(undated but believed to be prior to Dec. 1993).

Primary Examiner—Ted Shooman
Assistant Examiner—R. Barkai
Attorney, Agent, or Firm—David A. Burge

[57] **CLAIM**

The ornamental design for a mask-style frame for sun-
glasses, as shown and described.

DESCRIPTION

FIG. 1 is a perspective view of a mask-style frame for
sunglasses showing our new design;

FIG. 2 is a front elevational view thereof;

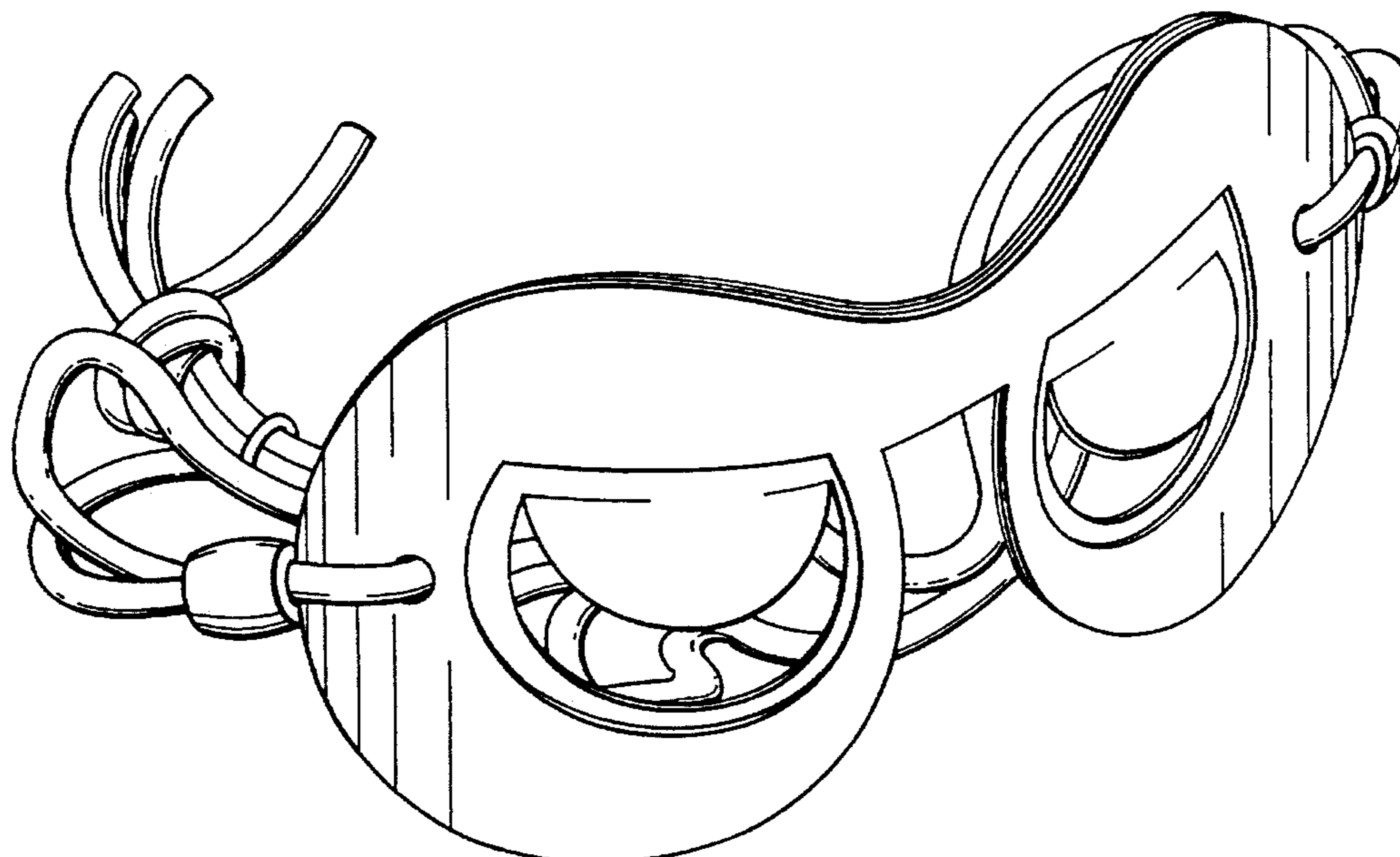
FIG. 3 is a top plan view thereof;

FIG. 4 is a sectional view as seen from a plane indicated by
a line 4—4 in FIG. 3, with broken lines depicting, for
illustrative purposes only, where a thin sheet of darkened
sunglass lens material typically extends across portions of
the rear face of the mask to cover eye openings that are
defined by the mask;

FIG. 5 is a right side elevational view thereof, with broken
lines depicting for illustrative purposes only portions of a
human head on which the sunglasses are positioned; and,

FIG. 6 is a front elevational view of a modified embodiment
of the design shown in FIGS. 1-5.

1 Claim, 4 Drawing Sheets



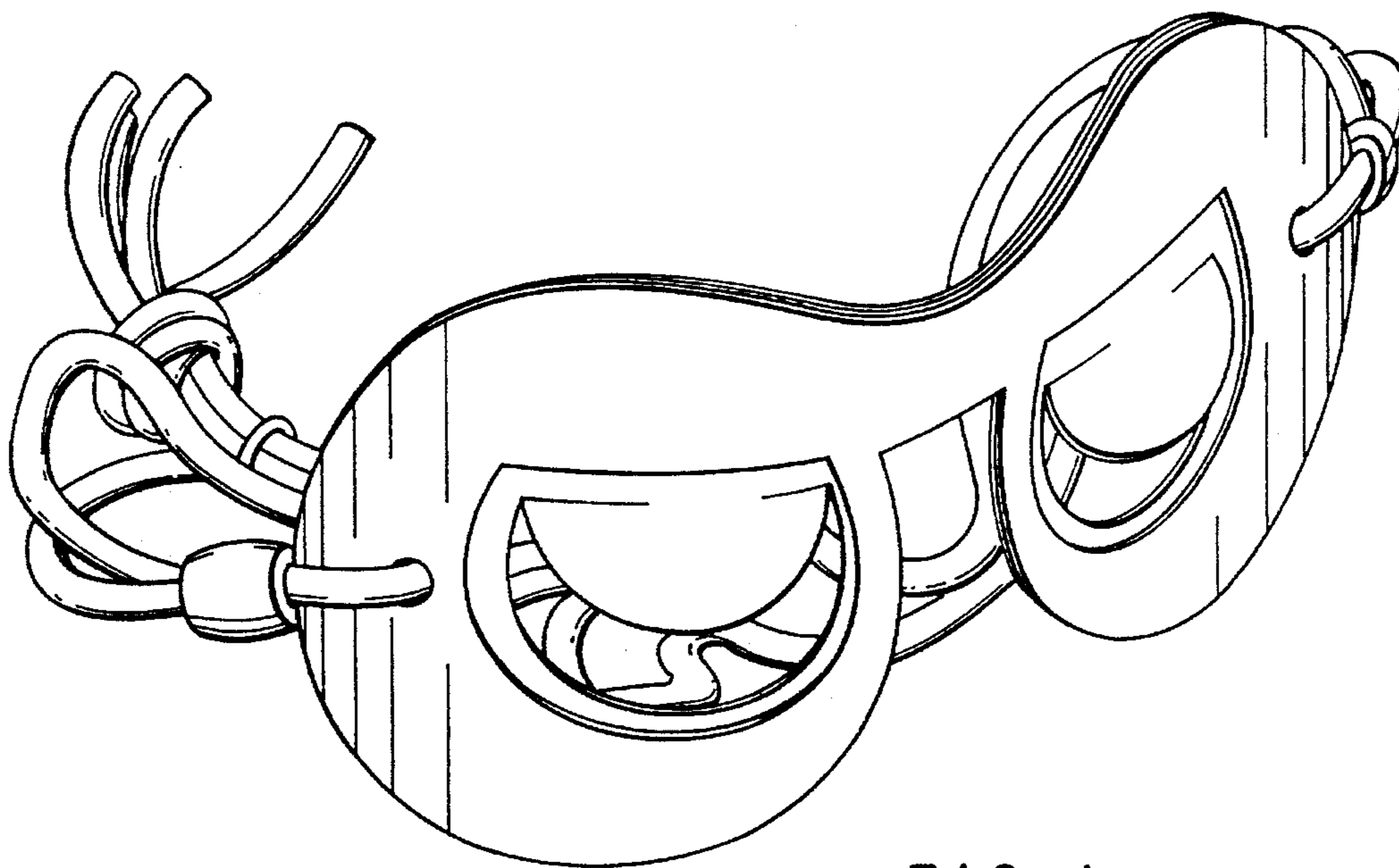


FIG. 1

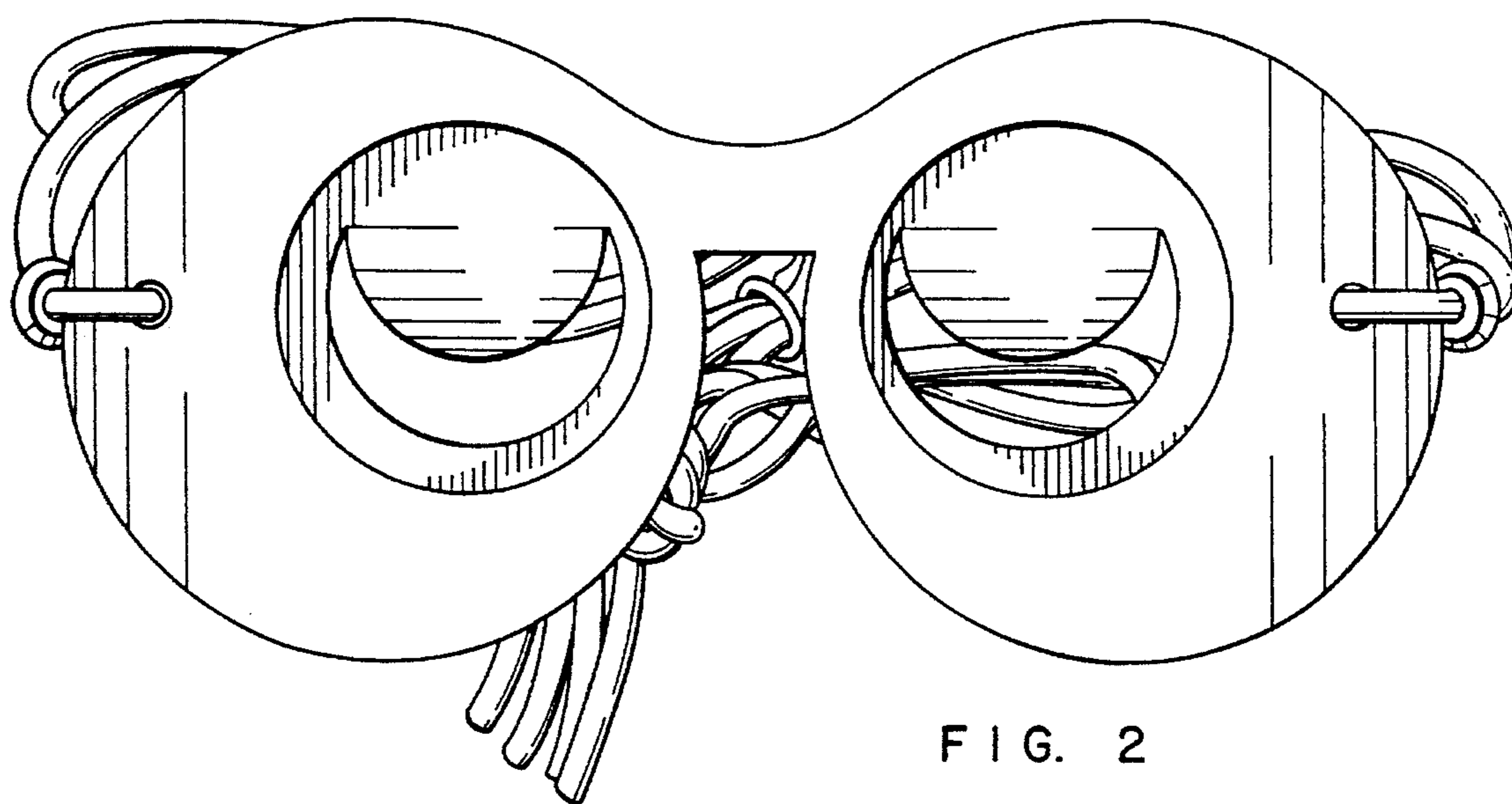


FIG. 2

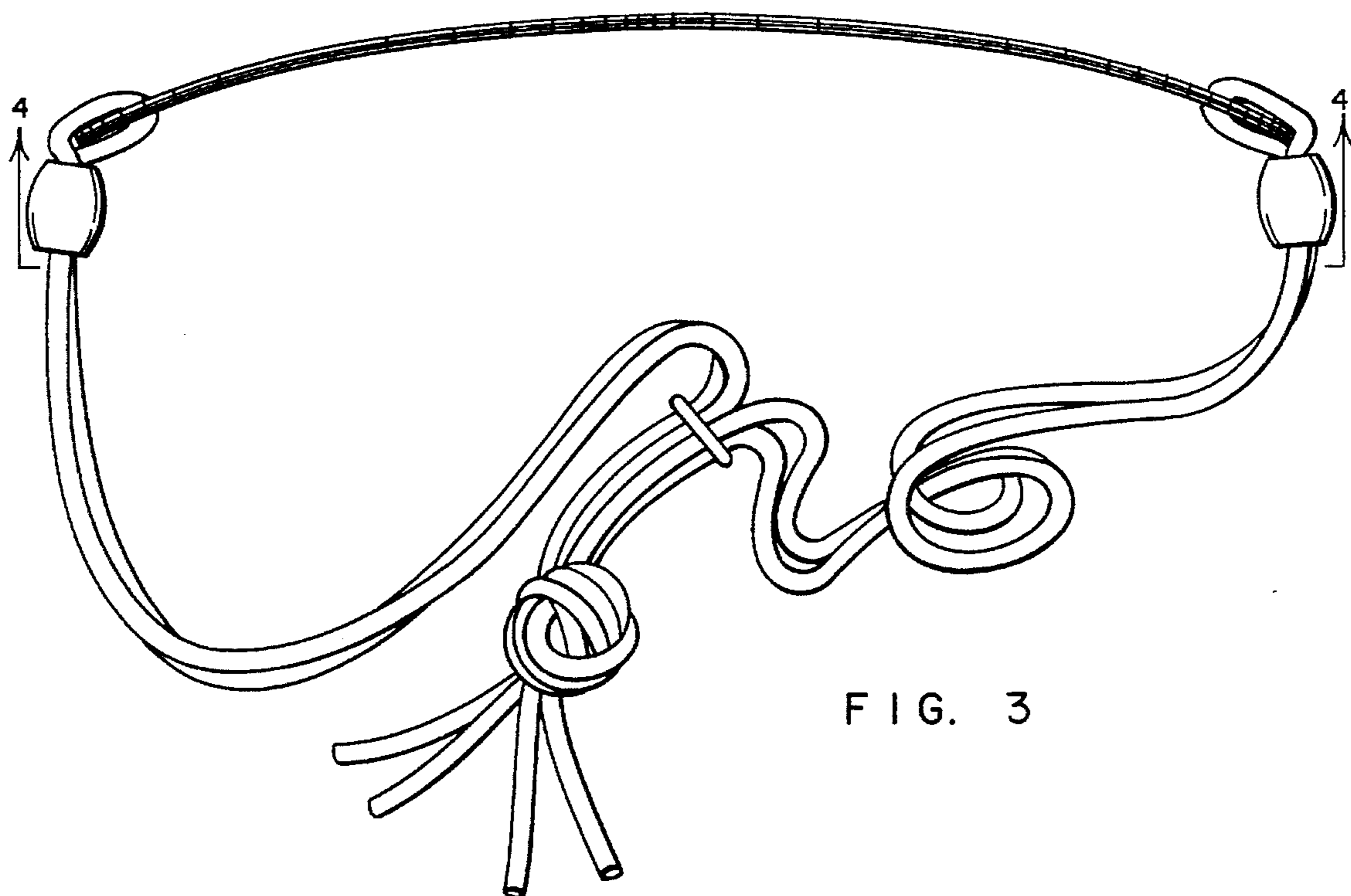


FIG. 3

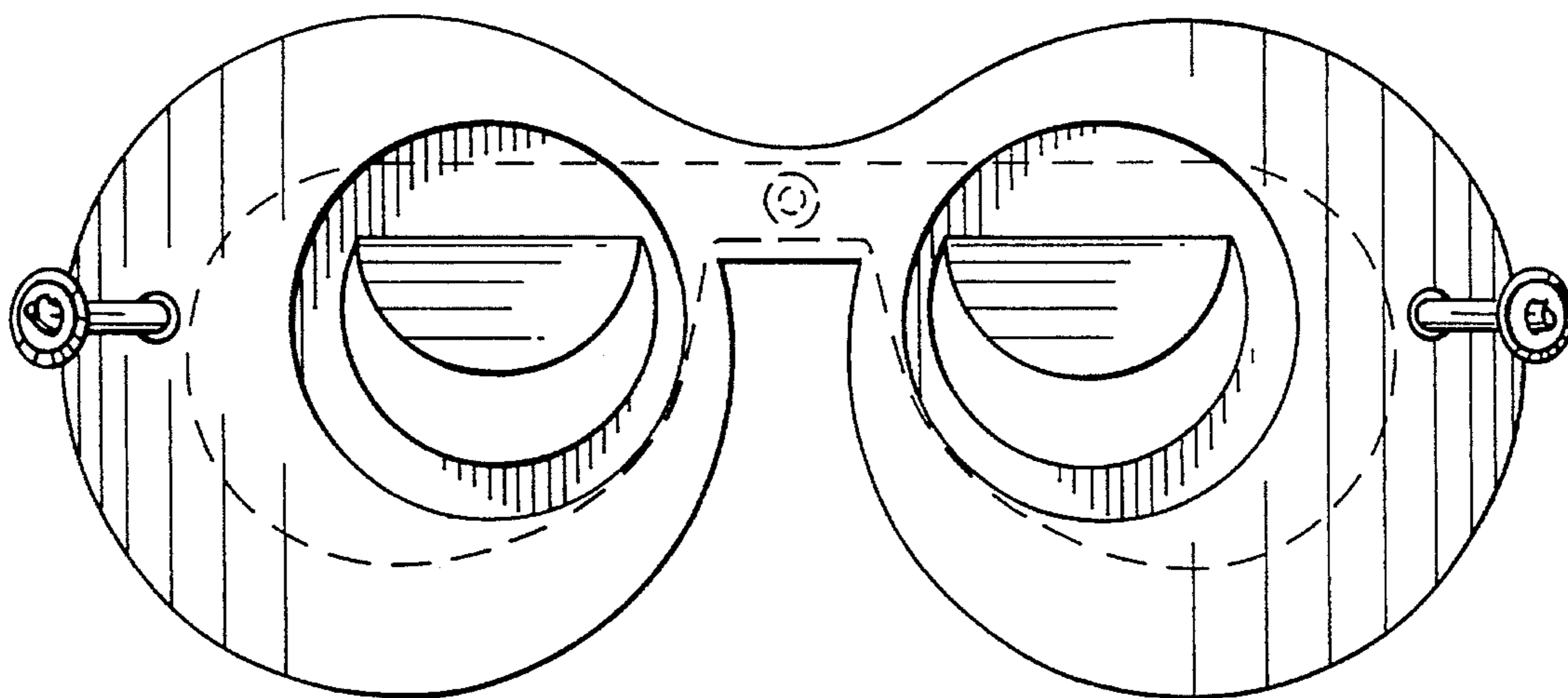


FIG. 4

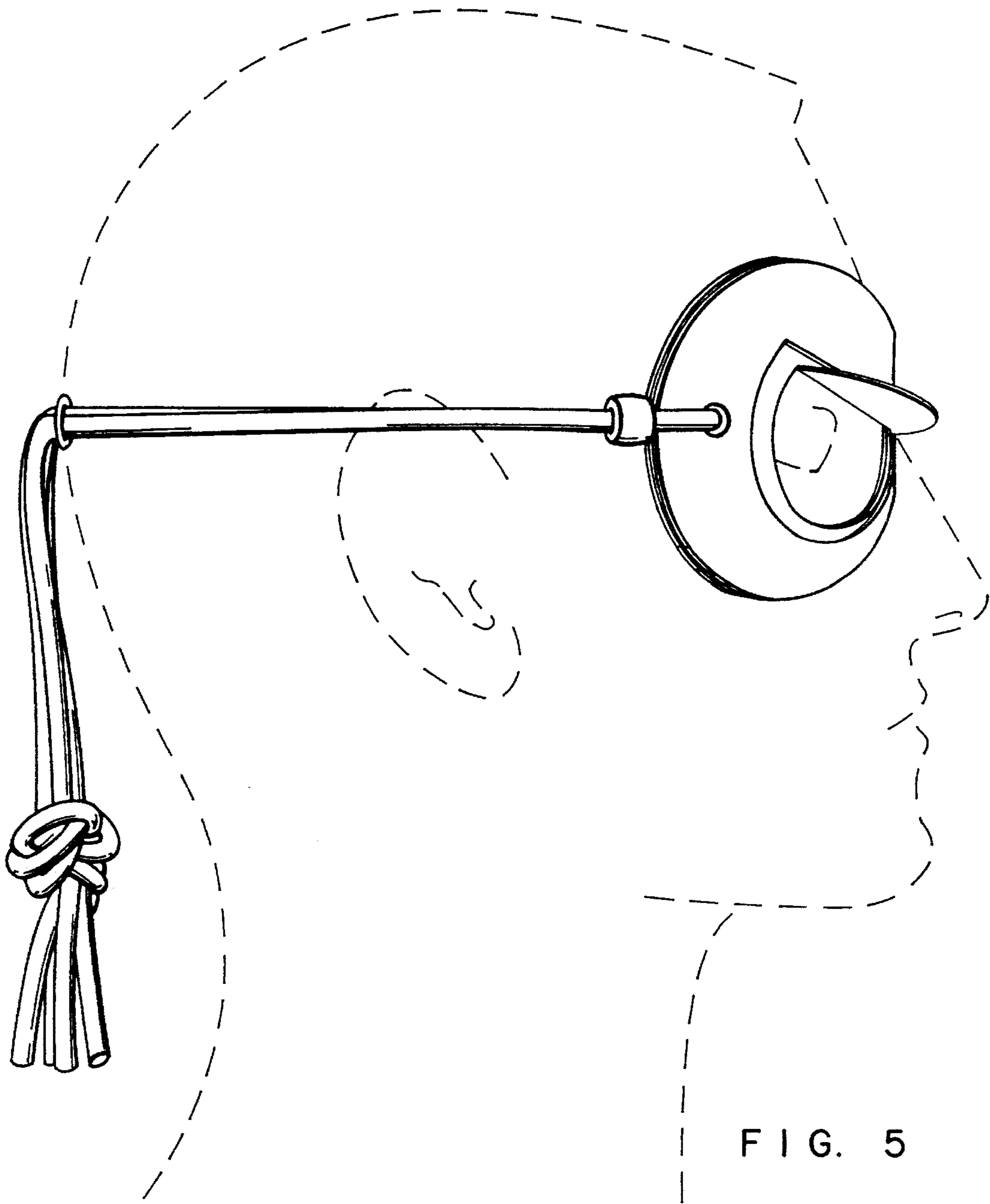


FIG. 5

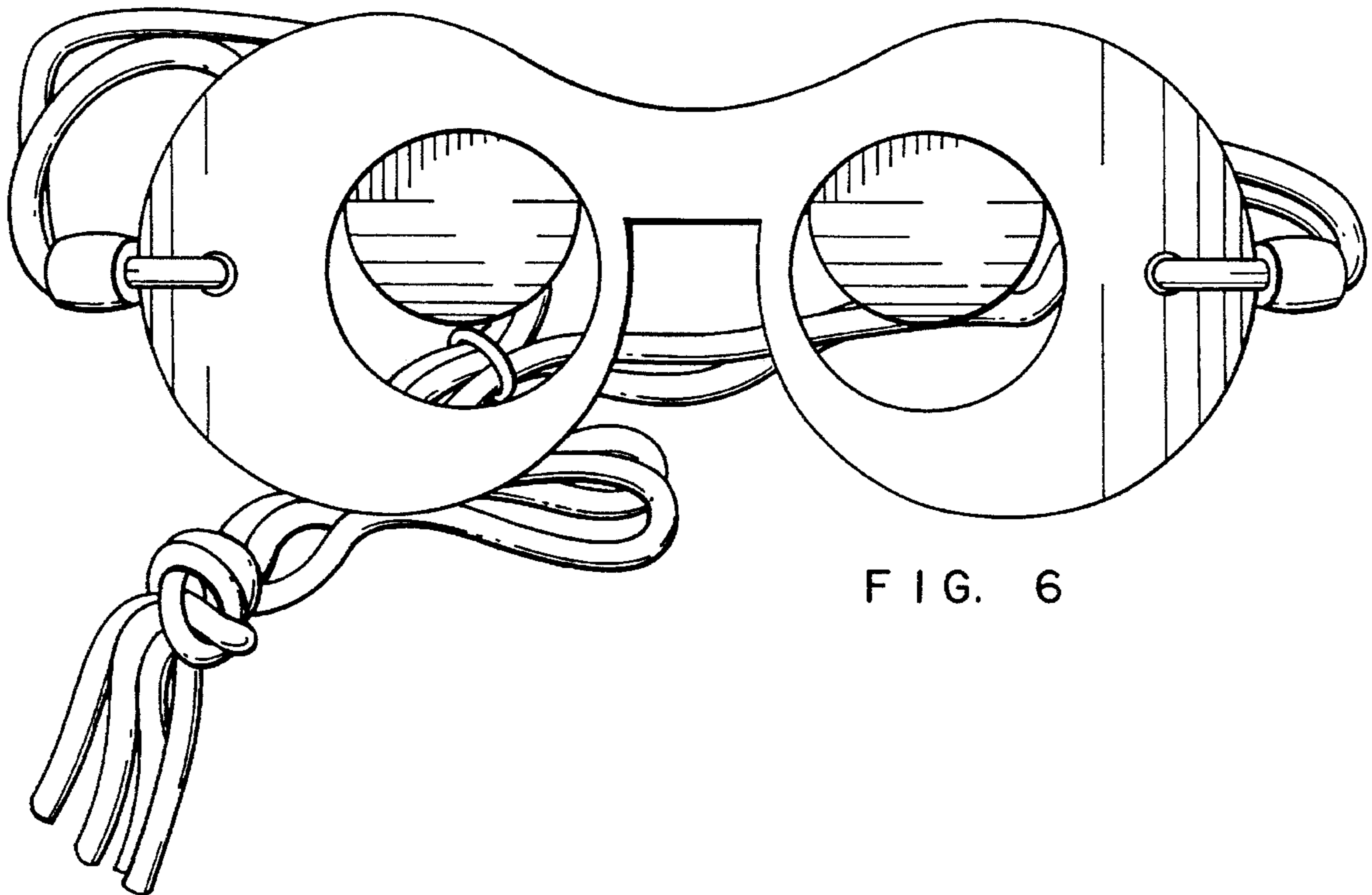


FIG. 6