



US00D365586S

United States Patent [19]
Miyashita

[11] **Patent Number: Des. 365,586**

[45] **Date of Patent: **Dec. 26, 1995**

[54] **VIDEO CAMERA COMBINED WITH A VIDEO TAPE RECORDER**

[75] Inventor: **Shin Miyashita**, Tokyo, Japan

[73] Assignee: **Sony Corporation**, Tokyo, Japan

[**] Term: **14 Years**

[21] Appl. No.: **25,758**

[22] Filed: **Jul. 11, 1994**

[30] **Foreign Application Priority Data**

Jan. 20, 1994 [JP] Japan 6-689

[52] **U.S. Cl.** **D16/202**

[58] **Field of Search** D16/200-206,
D16/208; 352/34, 242, 243; 354/81, 22,
288; 348/373-376; 358/906

[56] **References Cited**

U.S. PATENT DOCUMENTS

D. 315,915	4/1991	Morimiya	D16/202
D. 342,960	1/1994	Kurata	D16/202
D. 346,615	5/1994	Sumita	D16/202
5,121,147	6/1992	Wada et al.	354/81

FOREIGN PATENT DOCUMENTS

1-106585 4/1989 Japan H04N 5/225

OTHER PUBLICATIONS

Ritz Camera Catalog, p. 7 (Sony's CCD-546, Item C).
Video Magazine, Jan. 1993 p. 3 (Yashica's Hi8 kx-H3).

Primary Examiner—Ted Shooman
Assistant Examiner—Adir Aronovich
Attorney, Agent, or Firm—Beveridge, DeGrandi, Weilacher & Young

[57] **CLAIM**

The ornamental design for a video camera combined with a video tape recorder, as shown and described.

DESCRIPTION

FIG. 1 is a top, front and right side perspective view of a video camera combined with a video tape recorder showing my new design;

FIG. 2 is a top, front and left side perspective view of the video camera combined with a video tape recorder in an open position;

FIG. 3 is a front elevational view of the video camera combined with a video tape recorder;

FIG. 4 is a rear elevational view of the video camera combined with a video tape recorder;

FIG. 5 is a top plan view of the video camera combined with a video tape recorder;

FIG. 6 is a bottom plan view of the video camera combined with a video tape recorder;

FIG. 7 is a left side view of the video camera combined with a video tape recorder; and,

FIG. 8 is a right side view of the video camera combined with a video tape recorder.

1 Claim, 3 Drawing Sheets

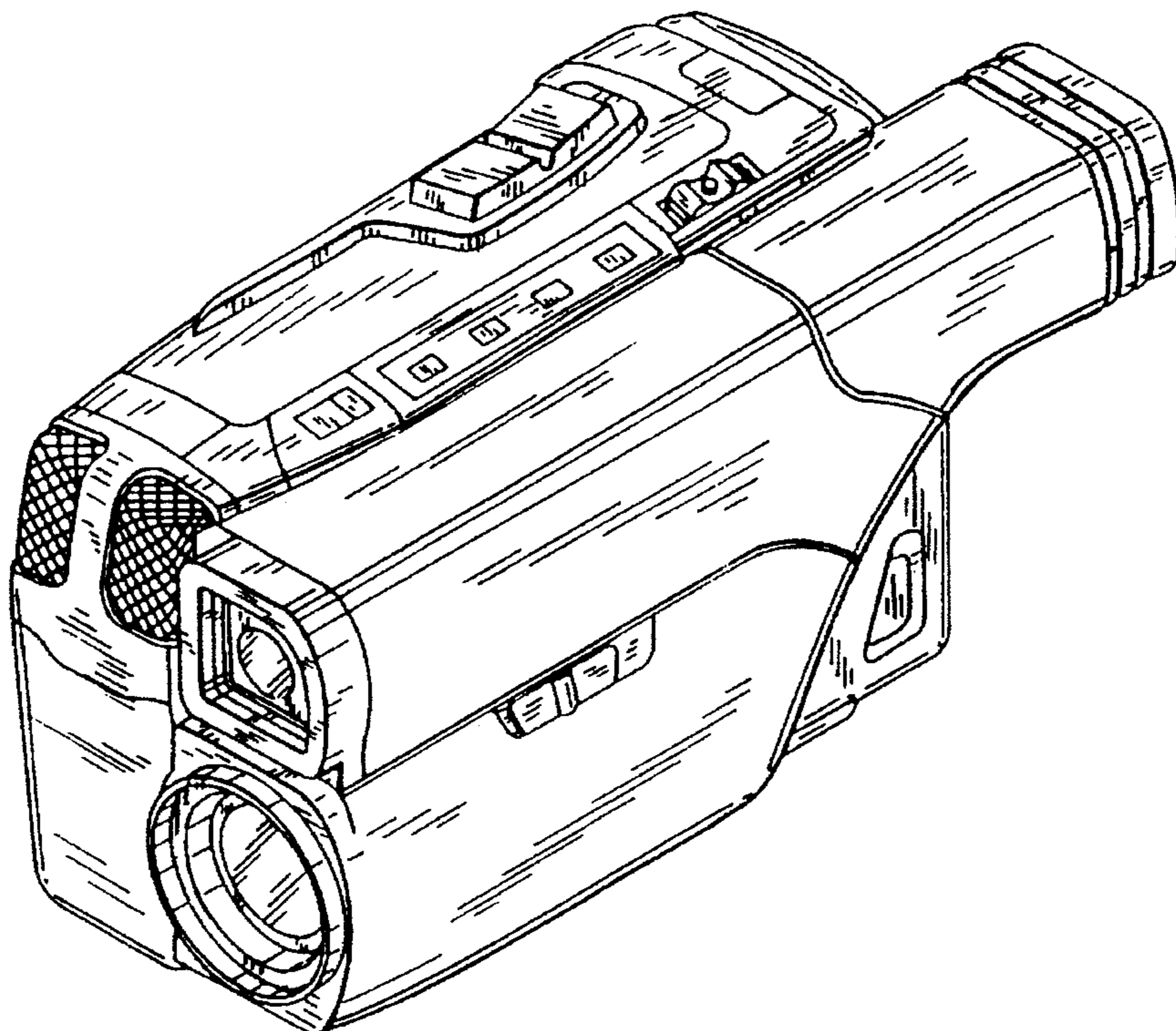


FIG. 1

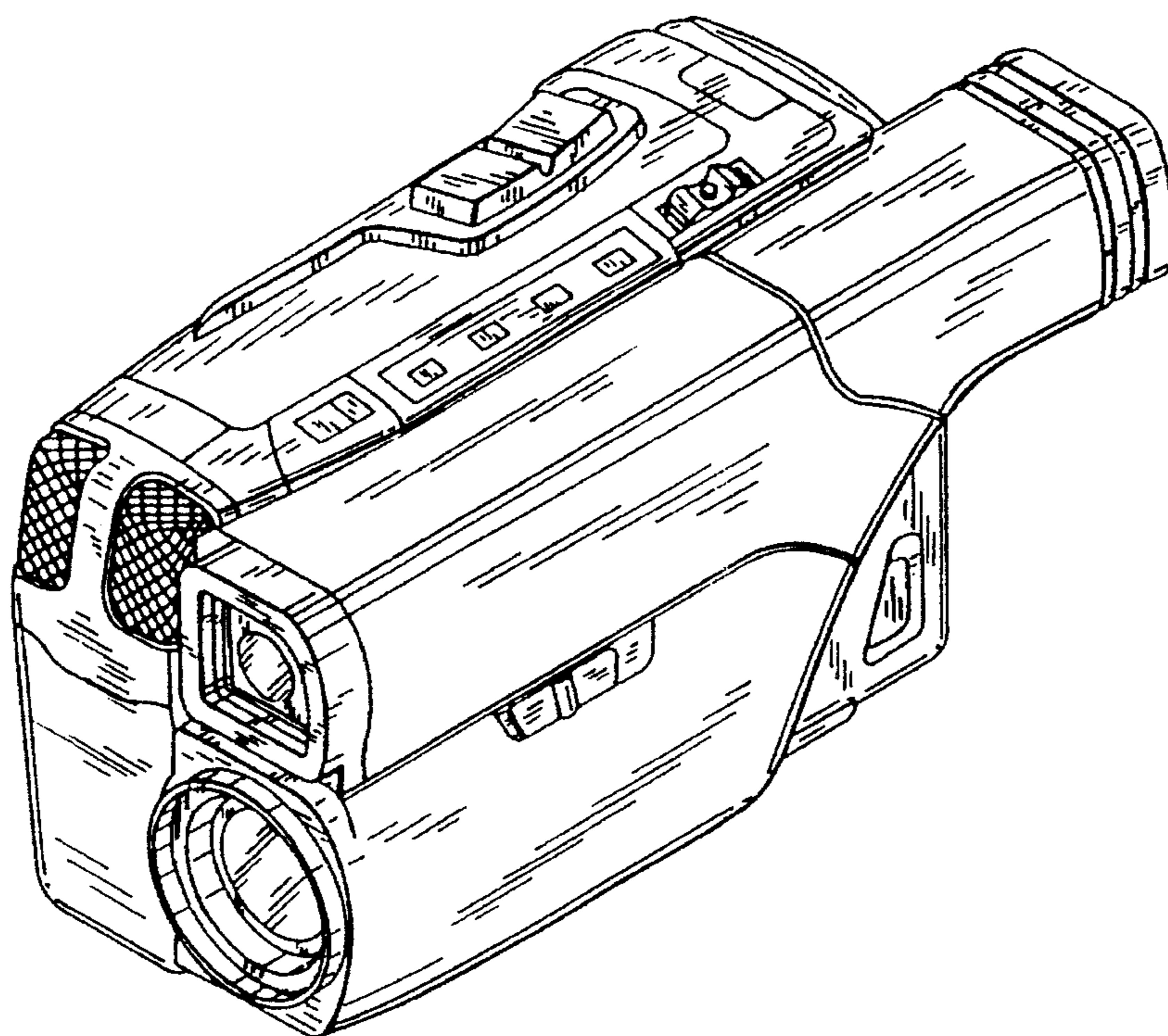


FIG. 2

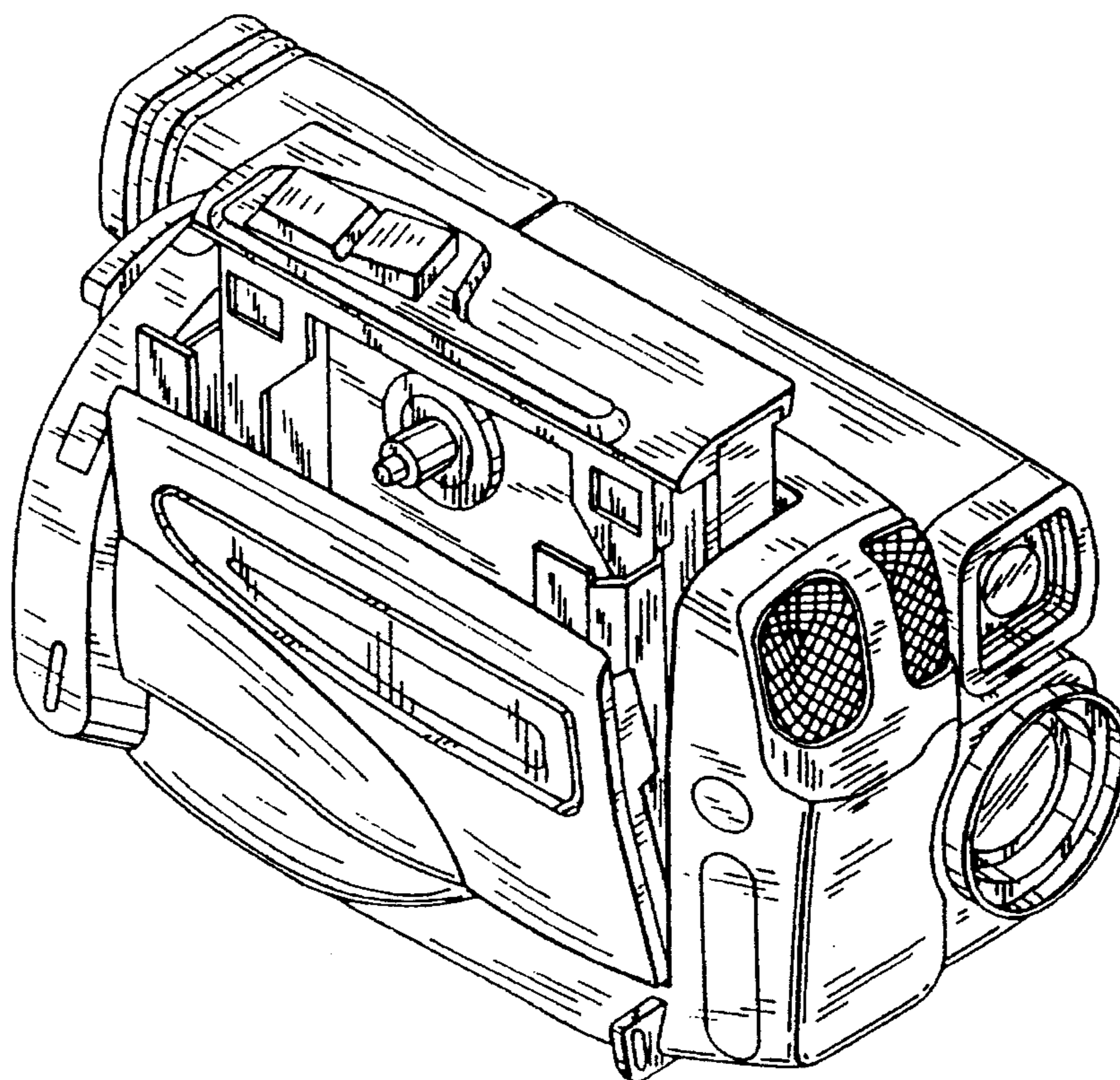


FIG. 3

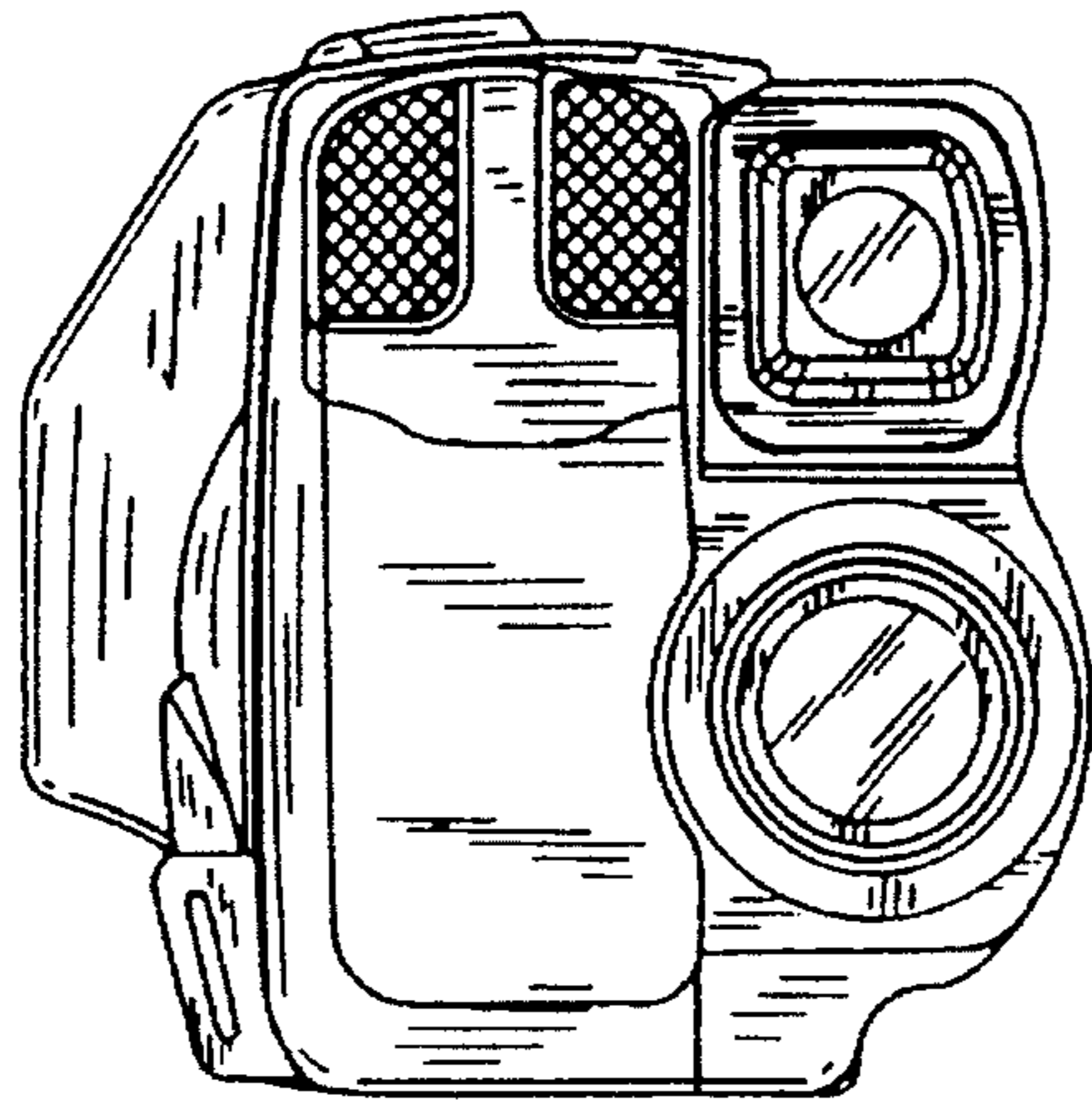


FIG. 4

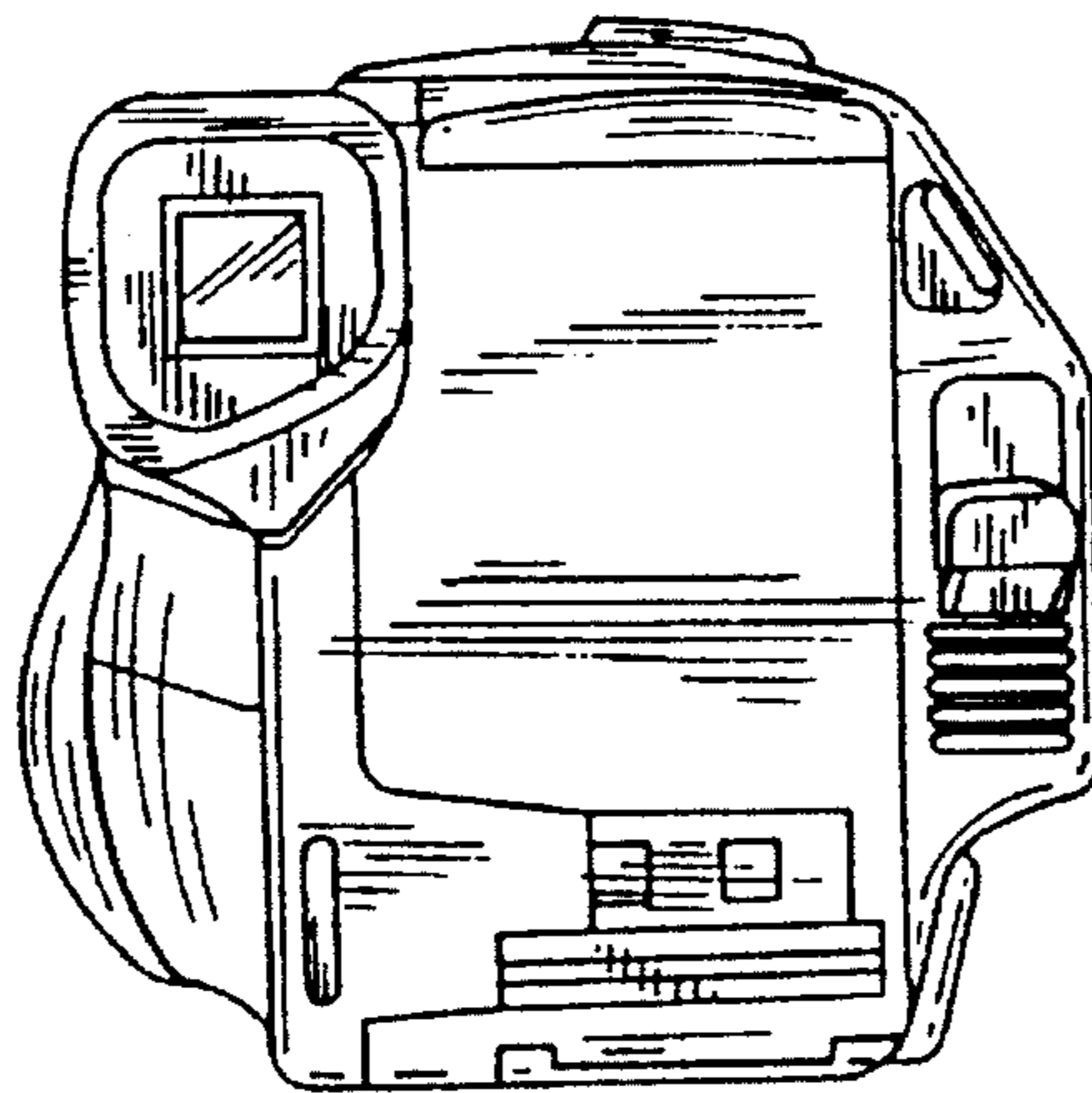


FIG. 8

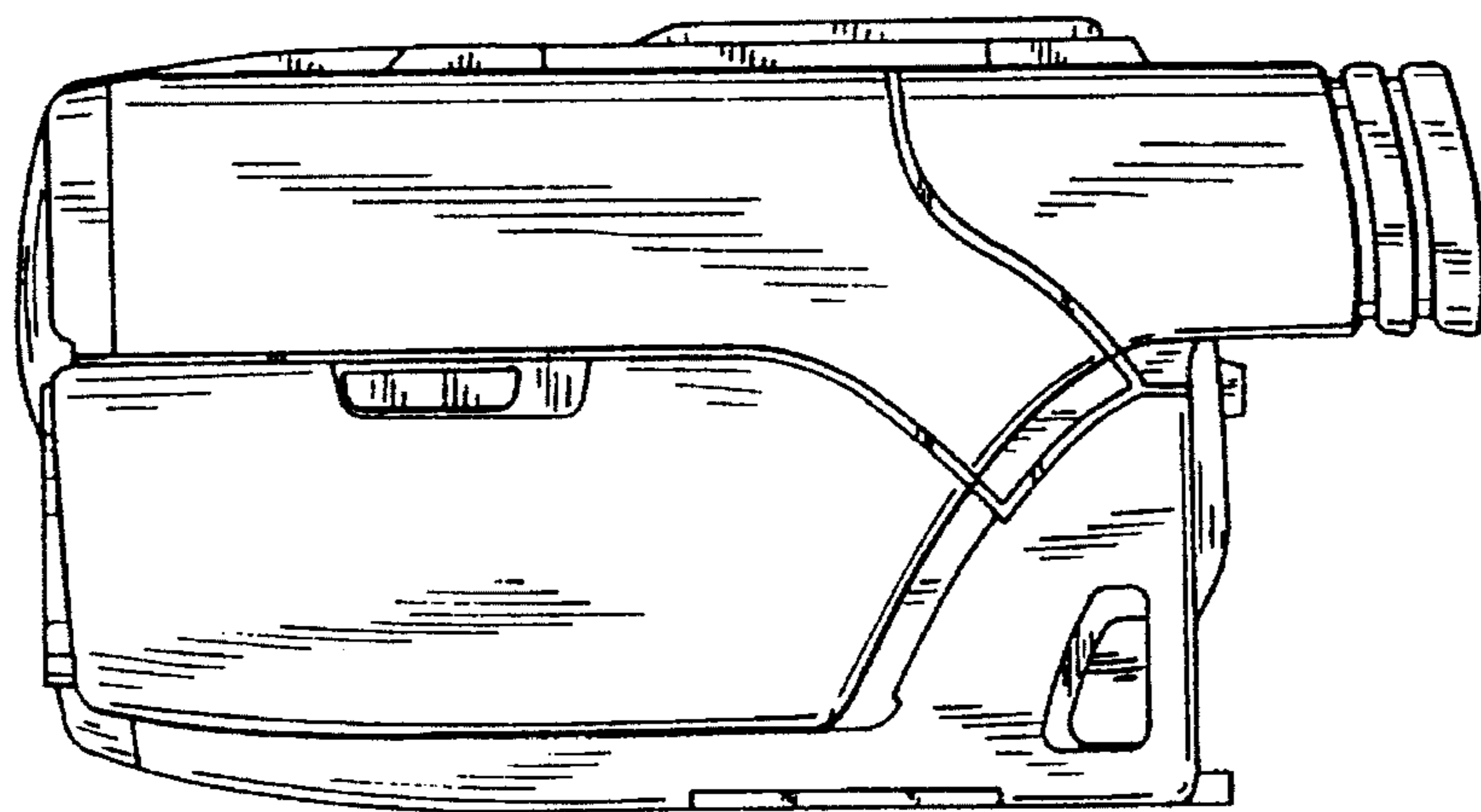


FIG.5

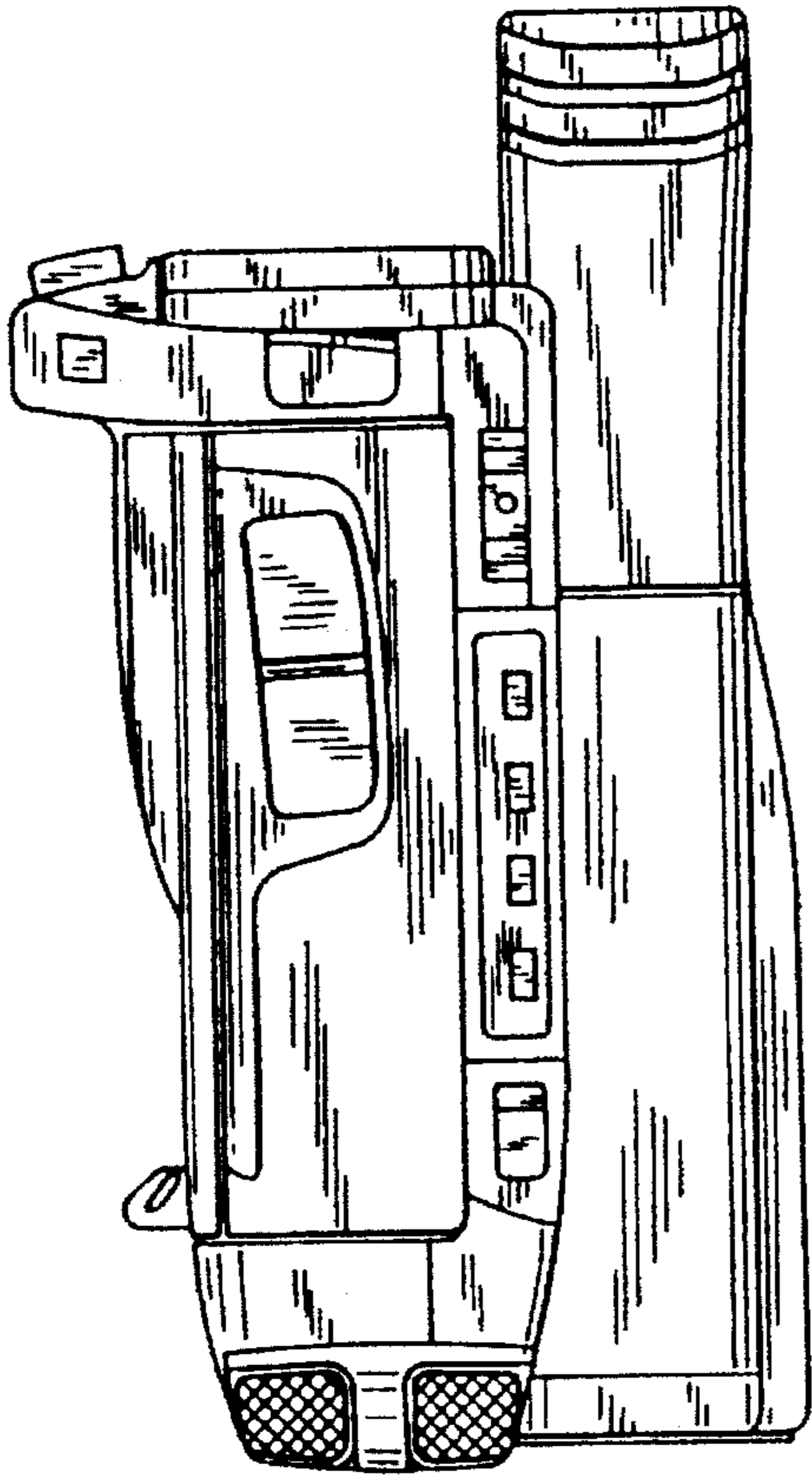


FIG.6

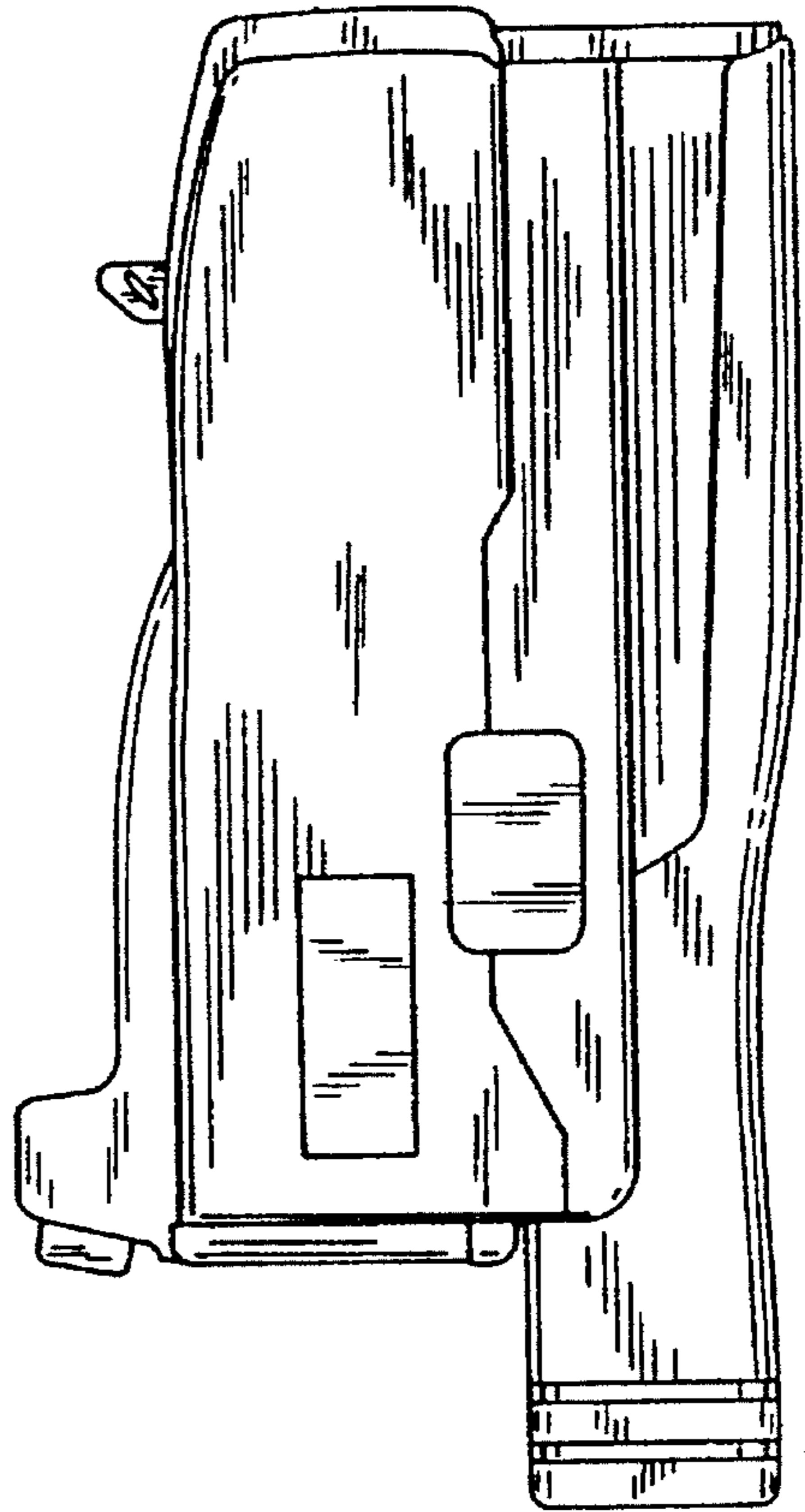


FIG.7

