



US00D365585S

United States Patent [19]
Ray

[11] **Patent Number: Des. 365,585**
[45] **Date of Patent: **Dec. 26, 1995**

[54] **VIDEO CAMERA USED WITH PERSONAL COMPUTER**

Assistant Examiner—Adir Aronovich
Attorney, Agent, or Firm—Sterne, Kessler, Goldstein & Fox

[75] Inventor: **Brian J. Ray**, San Jose, Calif.

[57] **CLAIM**

[73] Assignee: **Silicon Graphics, Inc.**, Mountain View, Calif.

The ornamental design for a video camera used with personal computer, as shown and described.

[**] Term: **14 Years**

DESCRIPTION

[21] Appl. No.: **15,506**

FIG. 1 is a front elevational view of a video camera used with personal computer showing my new design;

[22] Filed: **Nov. 18, 1993**

[52] U.S. Cl. **D16/202**

FIG. 2 is a left side elevational view thereof;

[58] **Field of Search** D14/107, 130;
D16/200-205; 348/13-20, 143, 207, 373-376;
354/288; 352/34, 242; H04N 5/225

FIG. 3 is a right side elevational view thereof;

FIG. 4 is a top plan view thereof;

FIG. 5 is a bottom plan view thereof;

[56] **References Cited**

U.S. PATENT DOCUMENTS

D. 241,656	9/1976	Haworth	D14/130
D. 355,921	2/1995	Crouch et al.	D16/202
5,359,362	10/1994	Lewis et al.	348/20
5,374,952	12/1994	Flohr	348/15

FIG. 6 is a rear elevational view thereof;

FIG. 7 is a front elevational view thereof, with the camera cover in an open position;

FIG. 8 is a top plan view thereof;

OTHER PUBLICATIONS

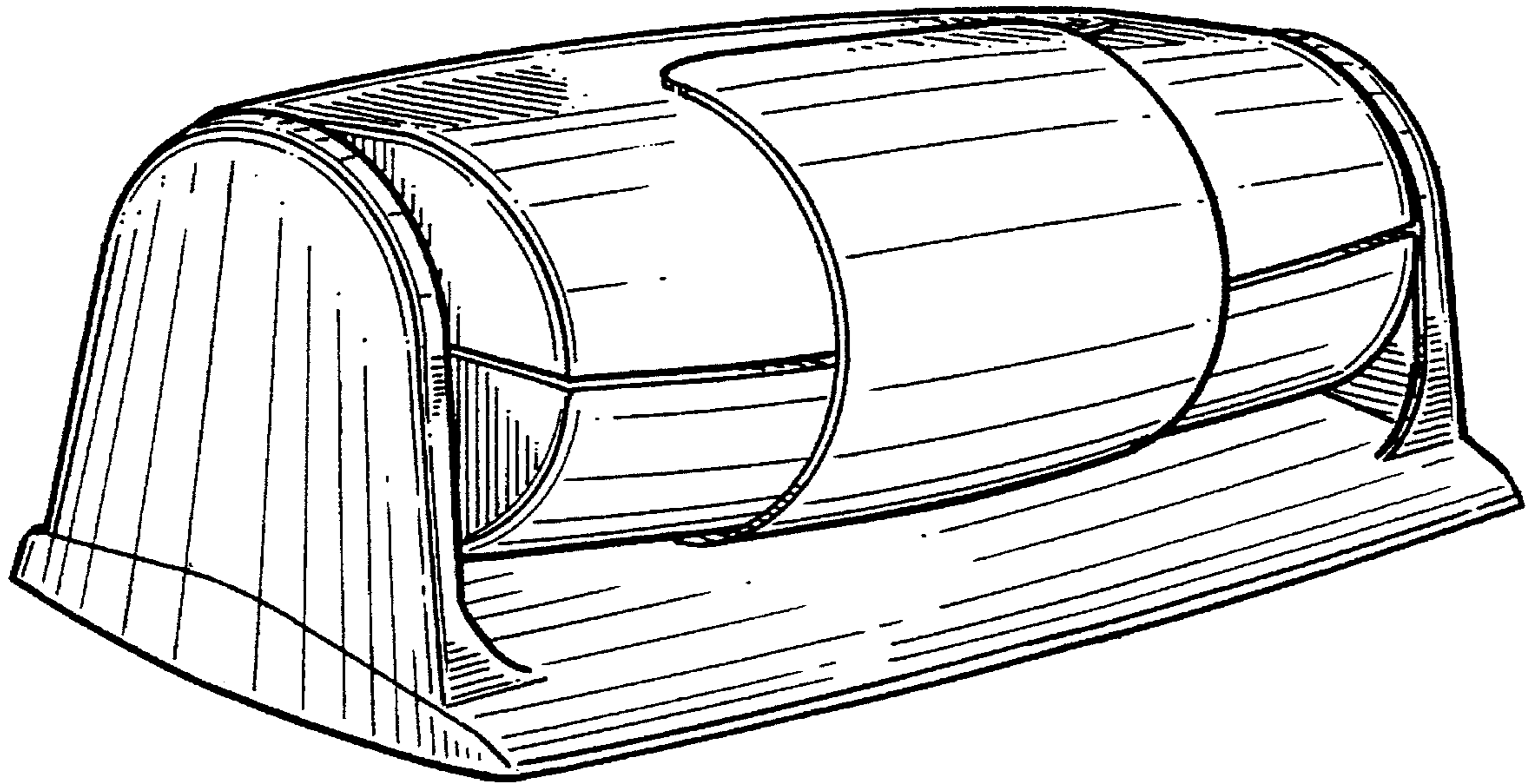
Computers and Communications, Mar. 1988 p. 10.
Harris Corporation Catalog, 1990.

FIG. 9 is a top and front perspective view with the camera lens cover in a closed position; and,

FIG. 10 is a bottom and rear perspective view thereof.

Primary Examiner—Ted Shooman

1 Claim, 6 Drawing Sheets



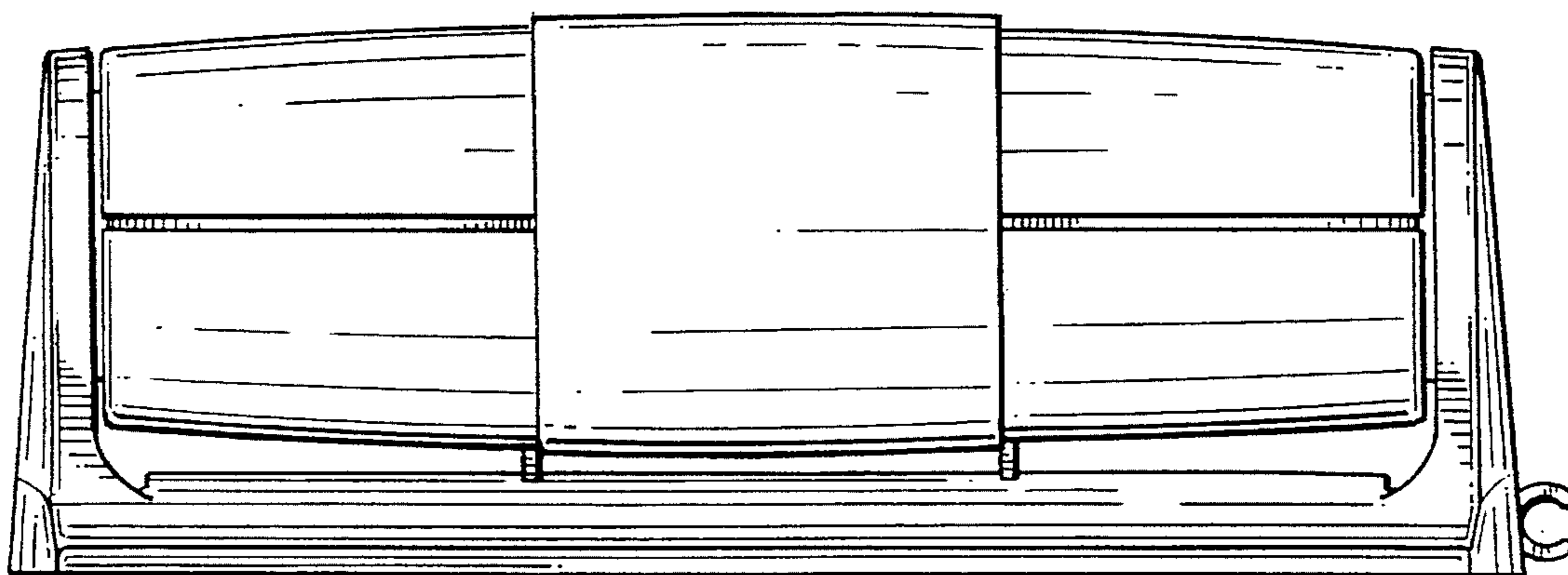


FIG. 1

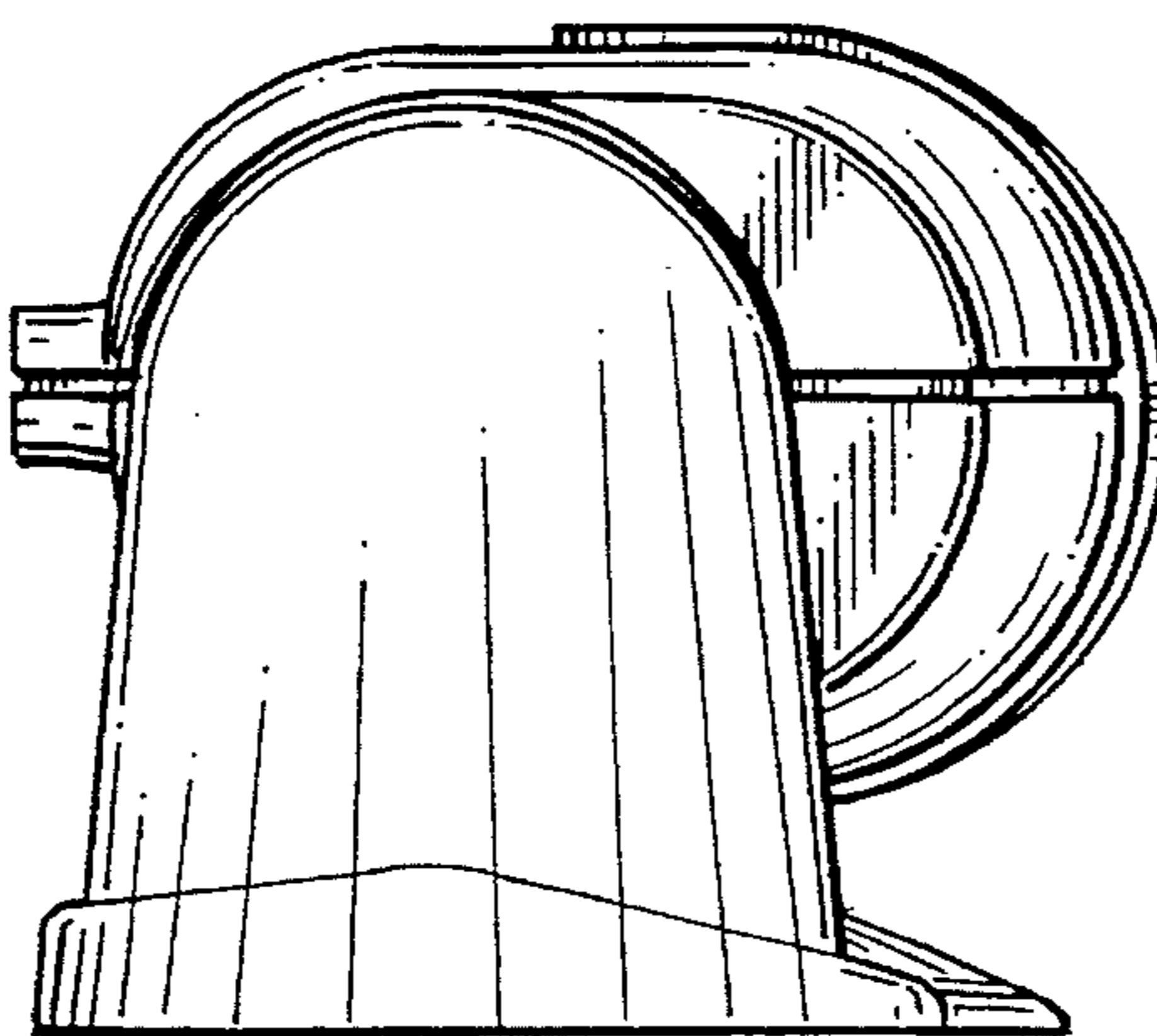


FIG. 2

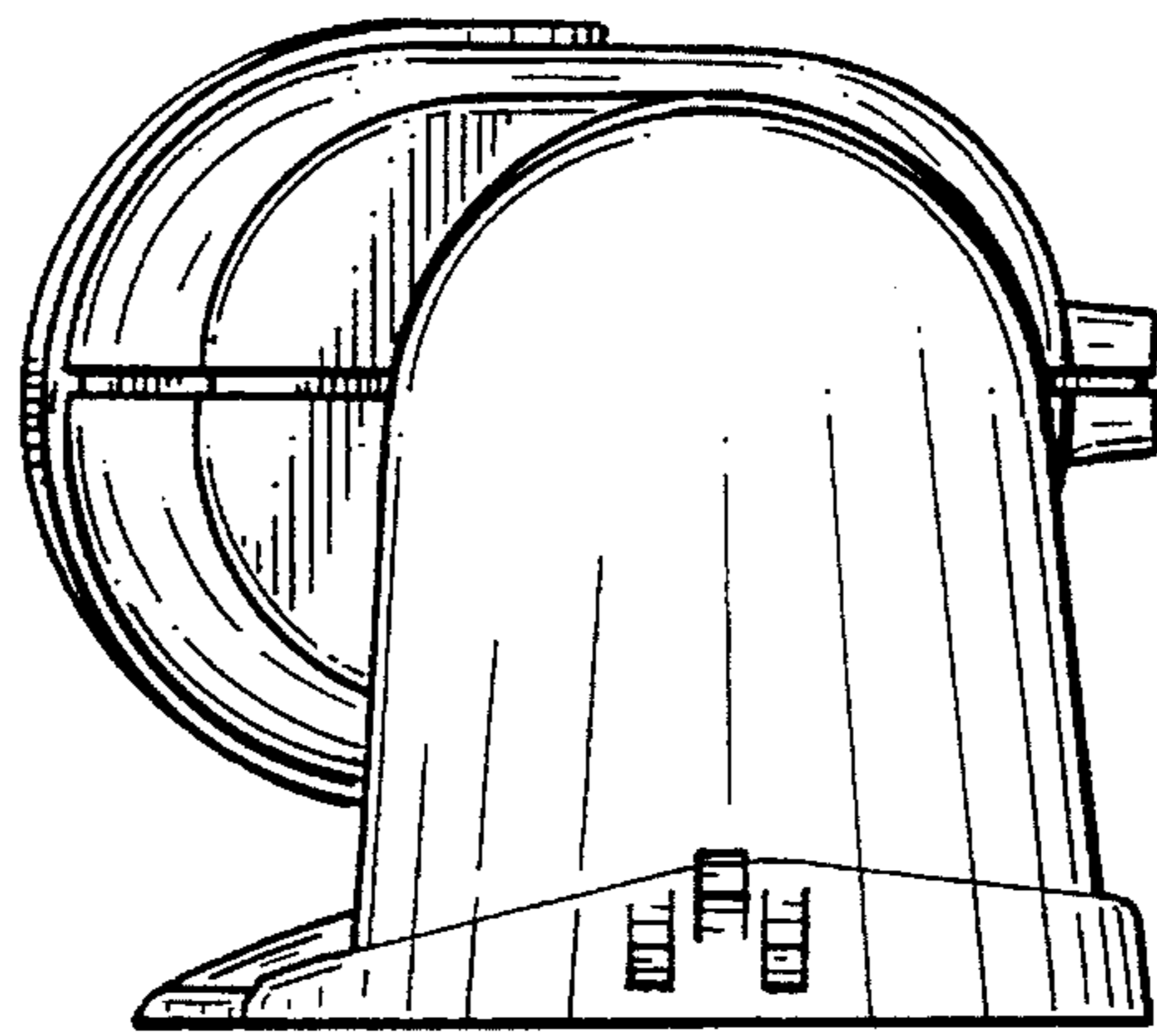


FIG. 3

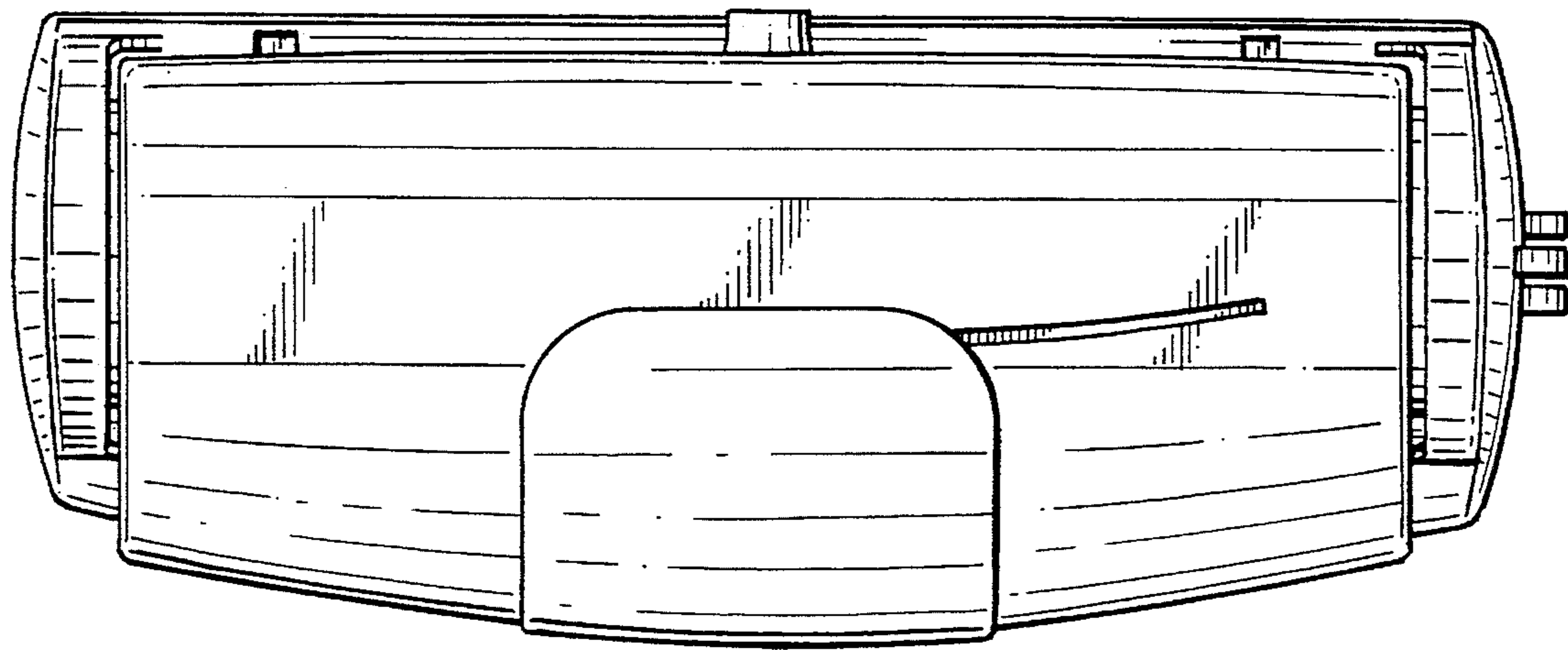


FIG. 4

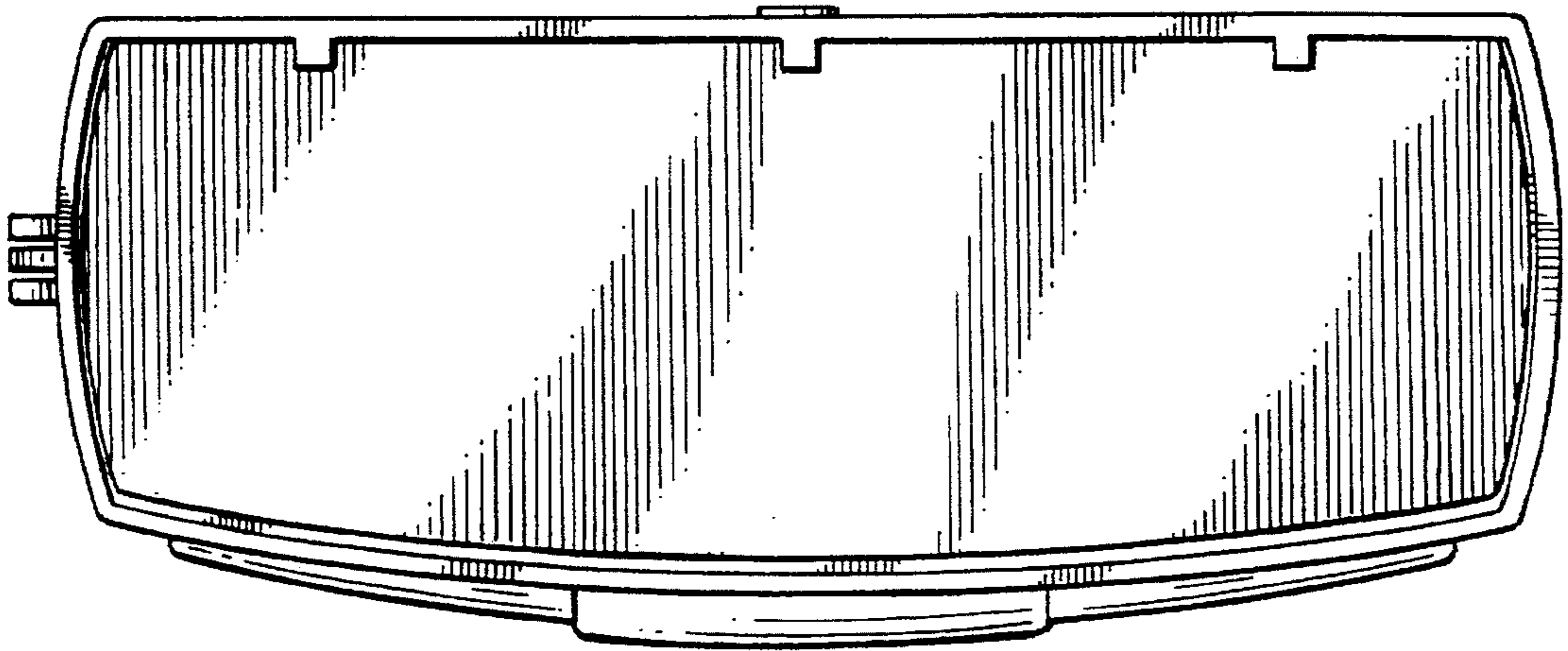


FIG. 5

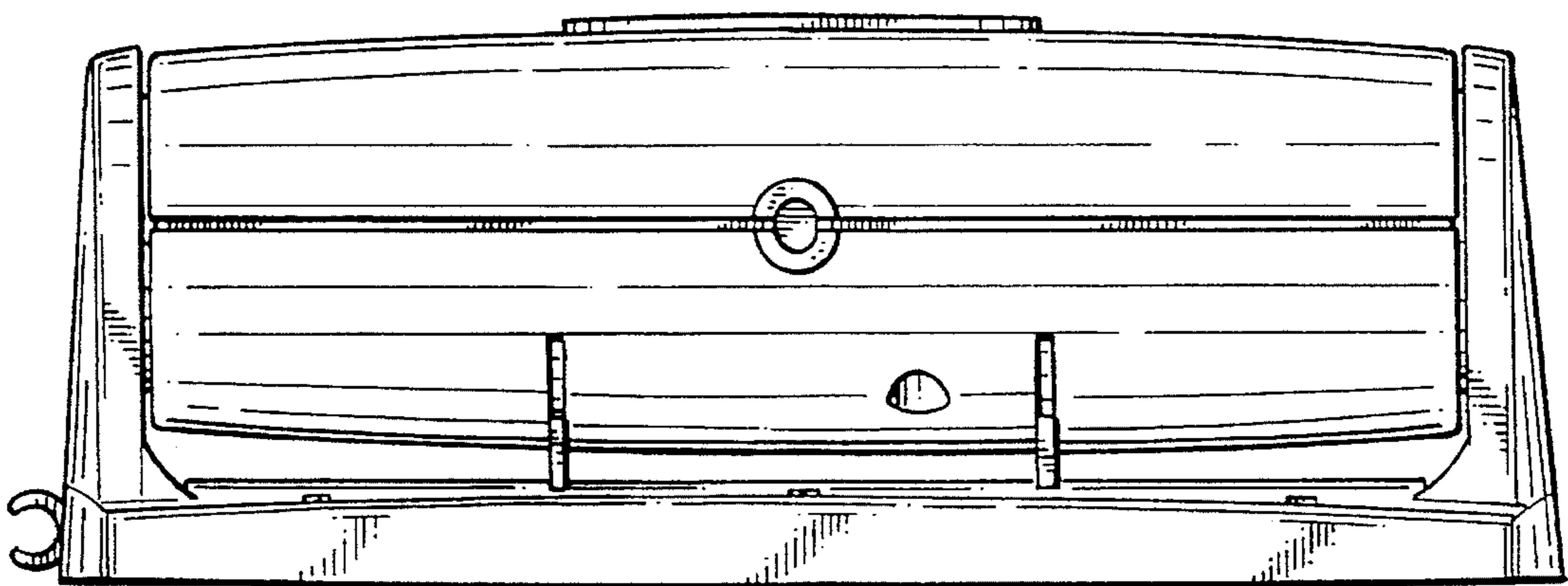


FIG. 6

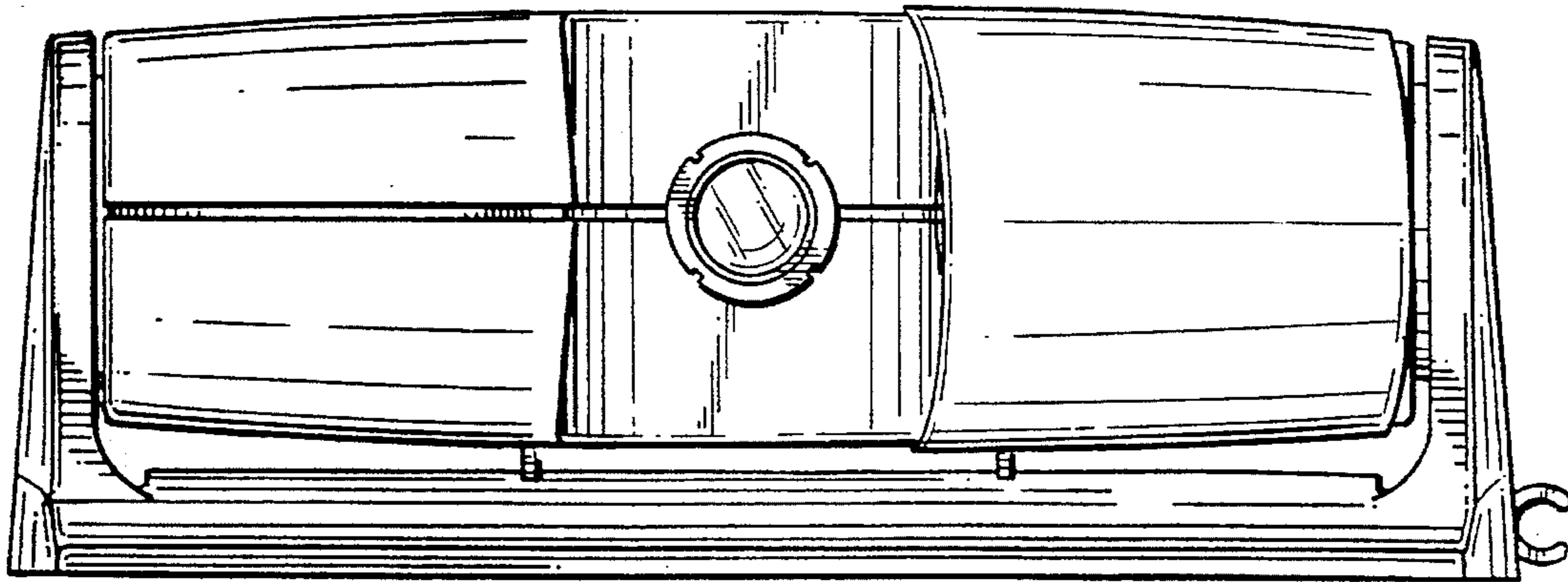


FIG. 7

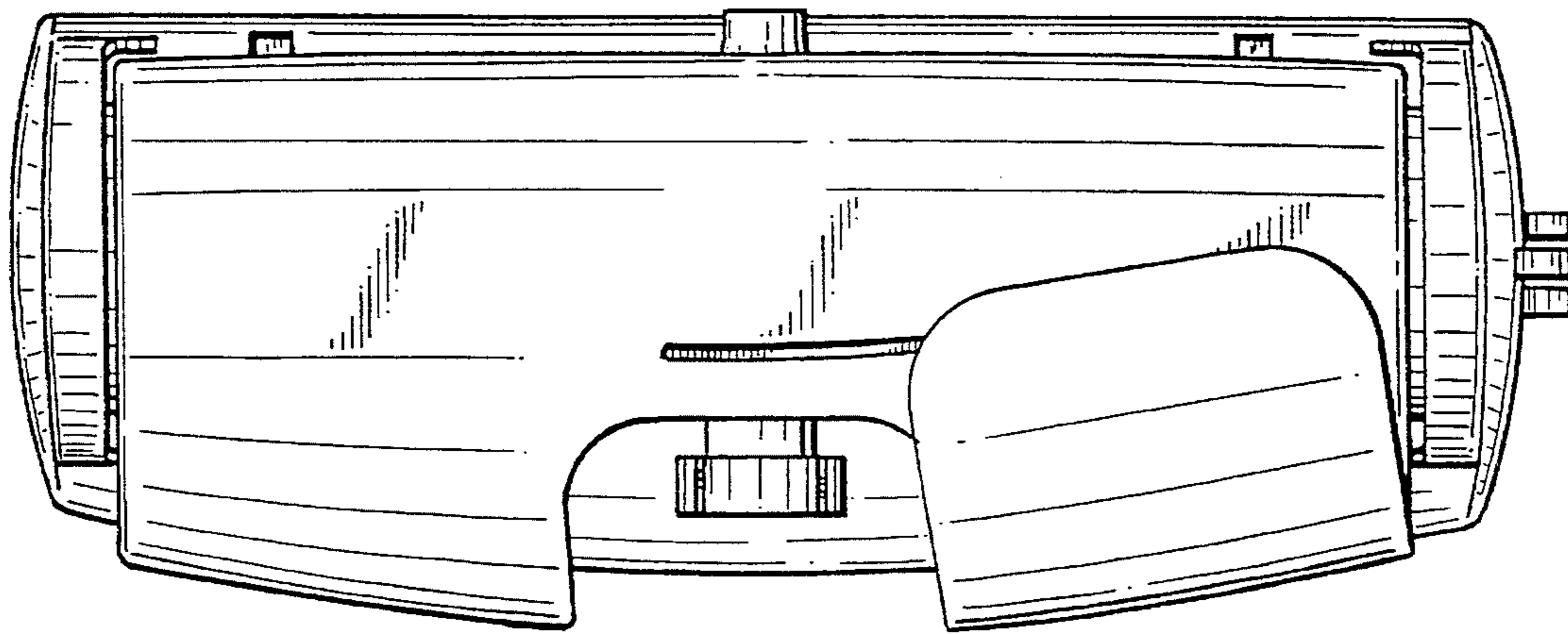


FIG. 8

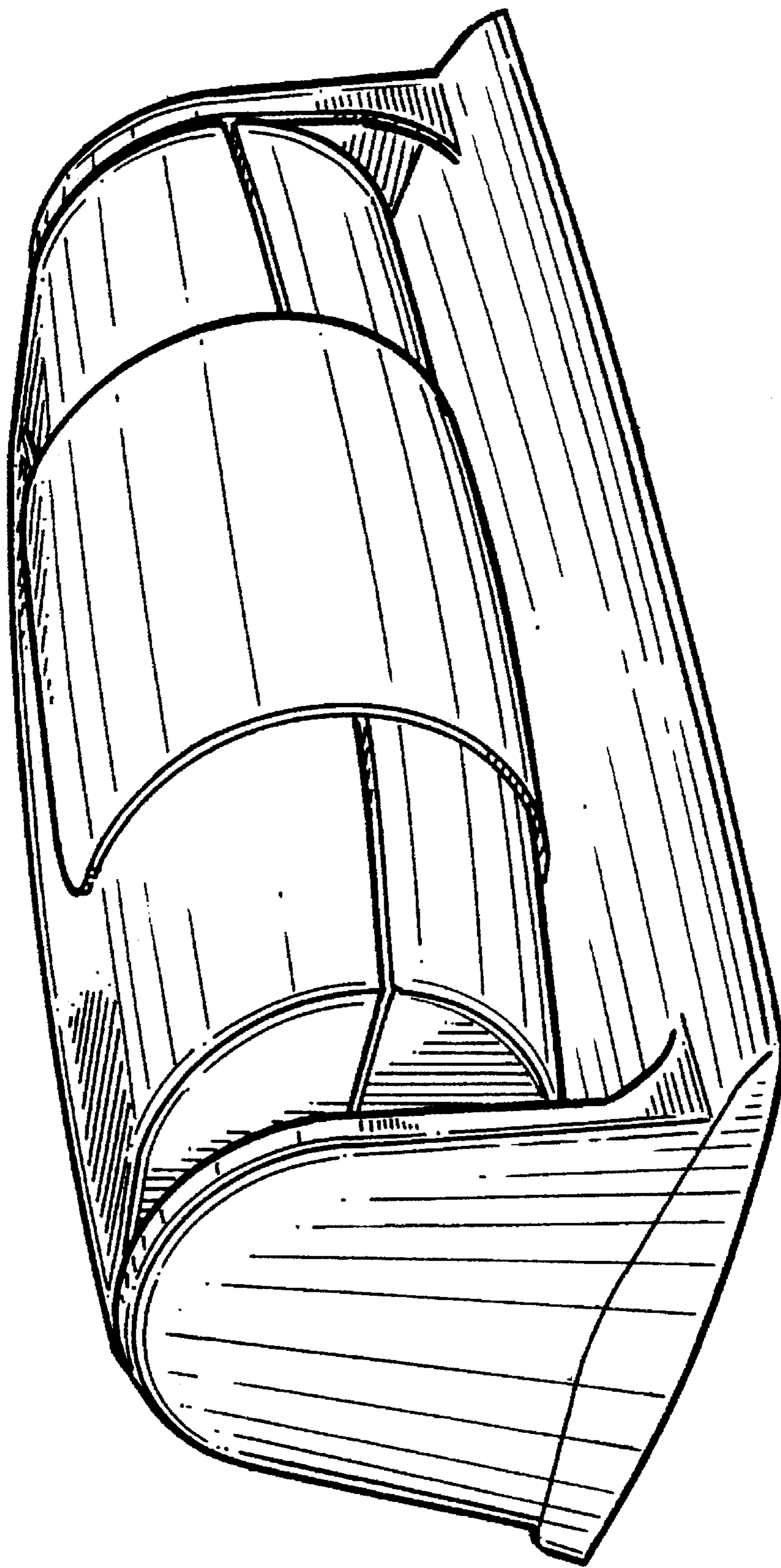


FIG. 9

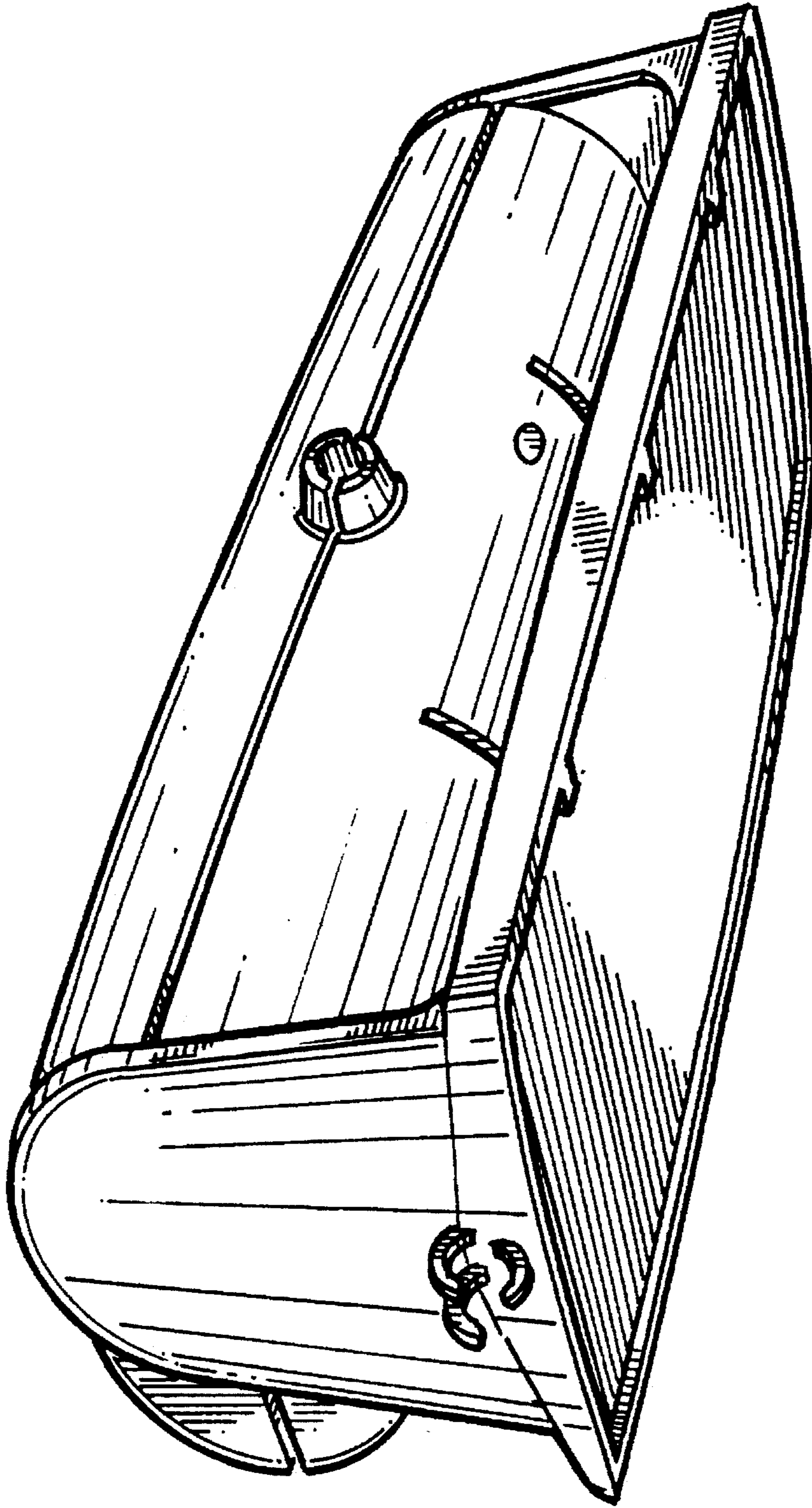


FIG. 10