



US00D365581S

# United States Patent [19] McCourtney

[11] Patent Number: **Des. 365,581**  
[45] Date of Patent: **\*\*Dec. 26, 1995**

[54] **RAIL DRILL**  
[75] Inventor: **Dennis C. McCourtney**, Davison, Mich.  
[73] Assignee: **Everett D. Hougen**, Flint, Mich.  
[\*\*] Term: **14 Years**  
[21] Appl. No.: **37,170**  
[22] Filed: **Apr. 5, 1995**  
[52] U.S. Cl. .... **D15/132**  
[58] Field of Search ..... **D8/61; D15/132; 269/94, 226, 238, 257; 408/78, 79, 82, 92-103, 108-115, 125, 172, 233, 713**

3,273,424 9/1966 Hughes .  
3,706,505 12/1972 Stougaard .  
3,945,749 3/1976 McIlrath .  
4,753,556 6/1988 Solko .  
4,911,587 3/1990 Stych .

### FOREIGN PATENT DOCUMENTS

542835 8/1922 France .  
1259922 3/1961 France .  
593243 5/1959 Italy .  
503867 4/1939 United Kingdom .

### OTHER PUBLICATIONS

Markwick's Complete Specification, No. 14,141, Aug. 21, 1891, London.

*Primary Examiner*—Antoine Duval Davis  
*Attorney, Agent, or Firm*—Howard & Howard

### [56] References Cited

#### U.S. PATENT DOCUMENTS

286,298 10/1883 Hart .  
D. 352,508 11/1994 Noda ..... D15/132  
402,310 4/1889 Davis .  
1,040,395 10/1912 Oslund .  
1,178,567 4/1916 Wuerpel .  
1,221,708 4/1917 Dyer .  
1,421,194 6/1922 Everett .  
1,600,911 9/1926 Tatton .  
1,926,788 9/1933 Park et al. .  
2,113,723 4/1938 Everett .  
2,201,032 5/1940 Everett .  
2,203,415 6/1940 Lavarack et al. .  
2,599,696 6/1952 Clark .  
2,629,267 2/1953 Hart .  
2,887,908 5/1959 Miller . .

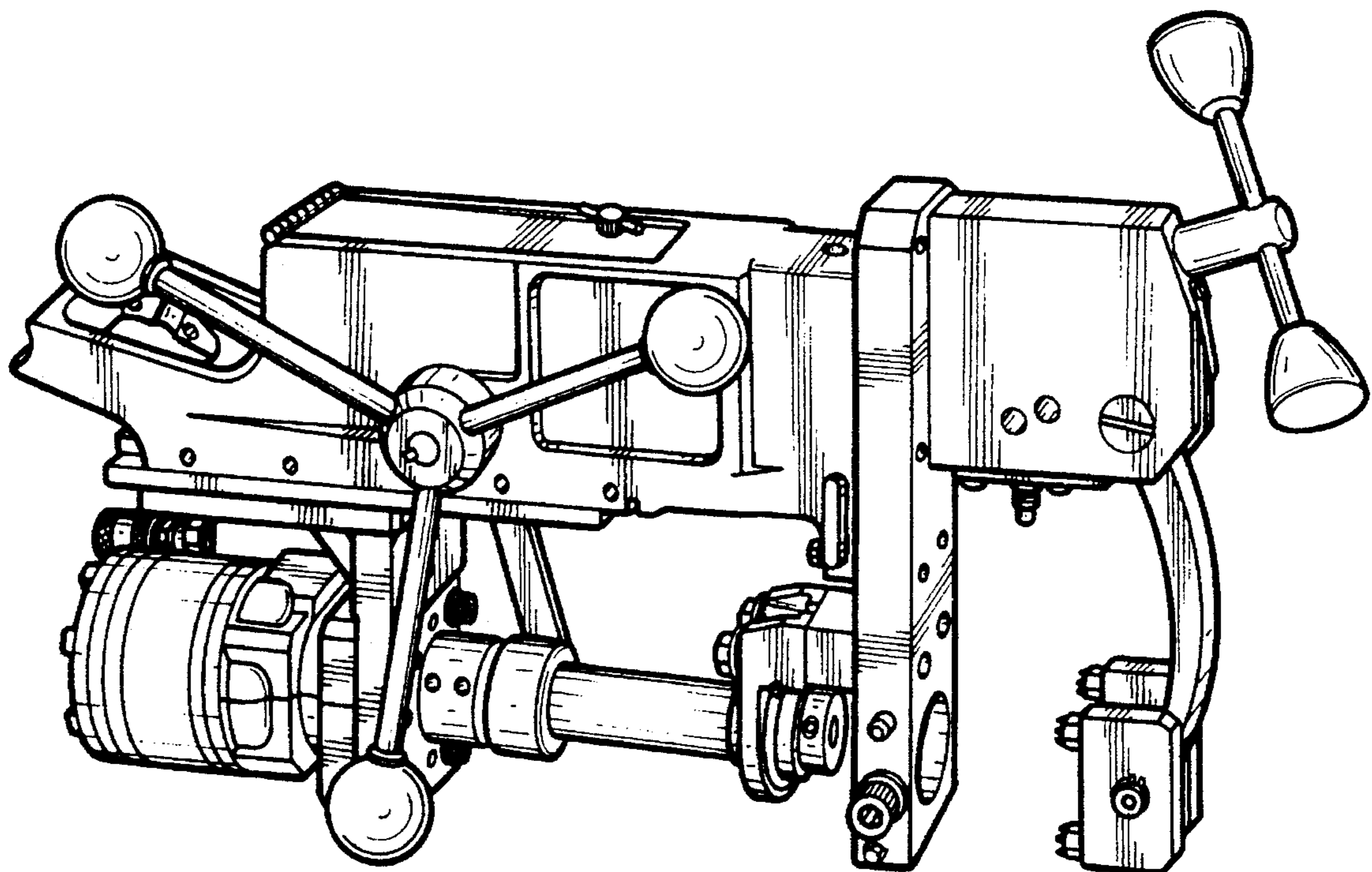
### [57] CLAIM

The ornamental design for a rail drill, as shown.

### DESCRIPTION

FIG. 1 is a perspective view of the rail drill;  
FIG. 2 is a side view of the rail drill;  
FIG. 3 is a side view of the rail drill and, in particular, the side opposite that shown in FIG. 2;  
FIG. 4 is a top view of the rail drill;  
FIG. 5 is a bottom view of the rail drill;  
FIG. 6 is an end view of the rail drill; and,  
FIG. 7 is an end view of the rail drill showing the end opposite to that shown in FIG. 6.

1 Claim, 3 Drawing Sheets



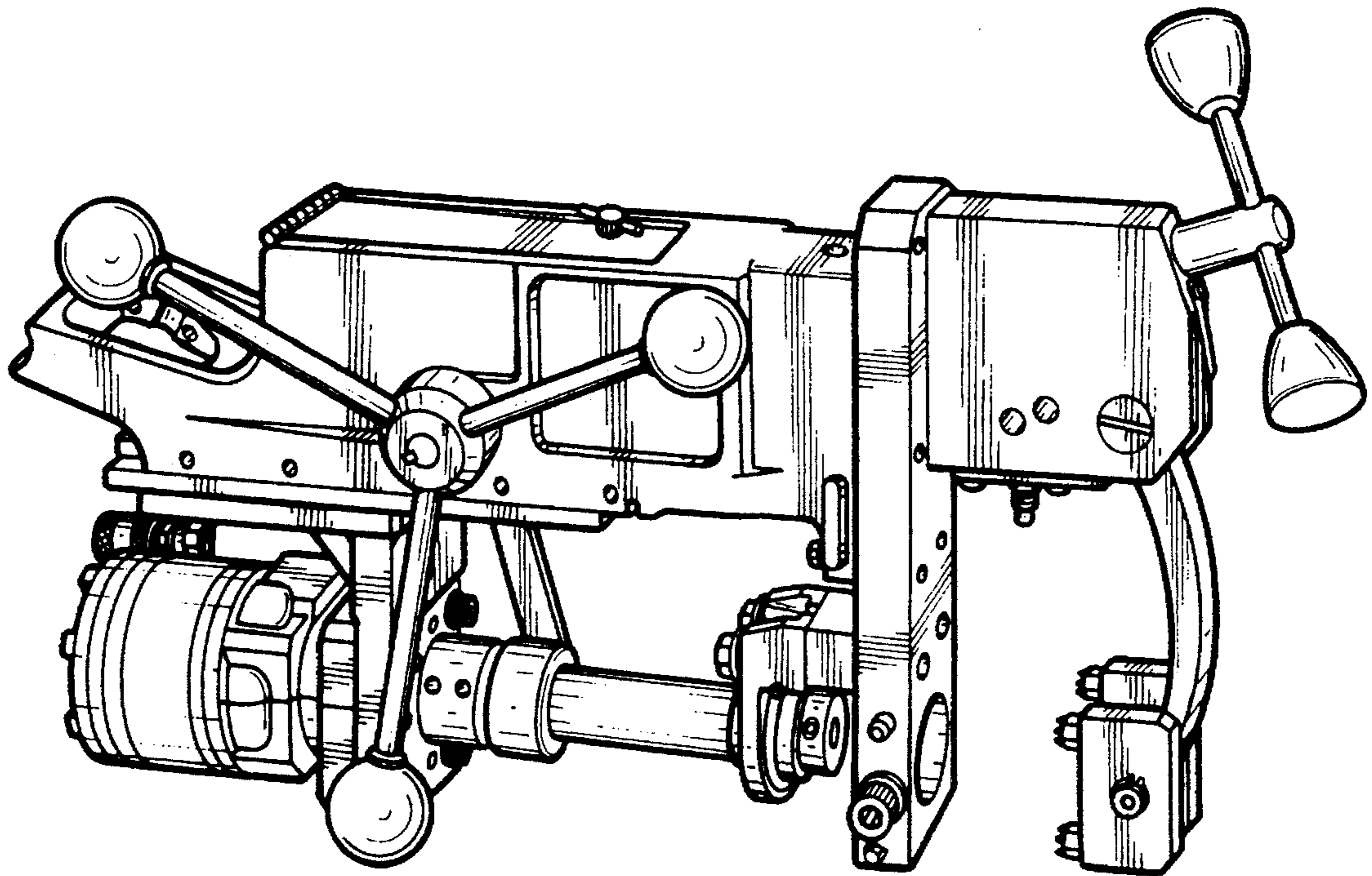


Fig-1

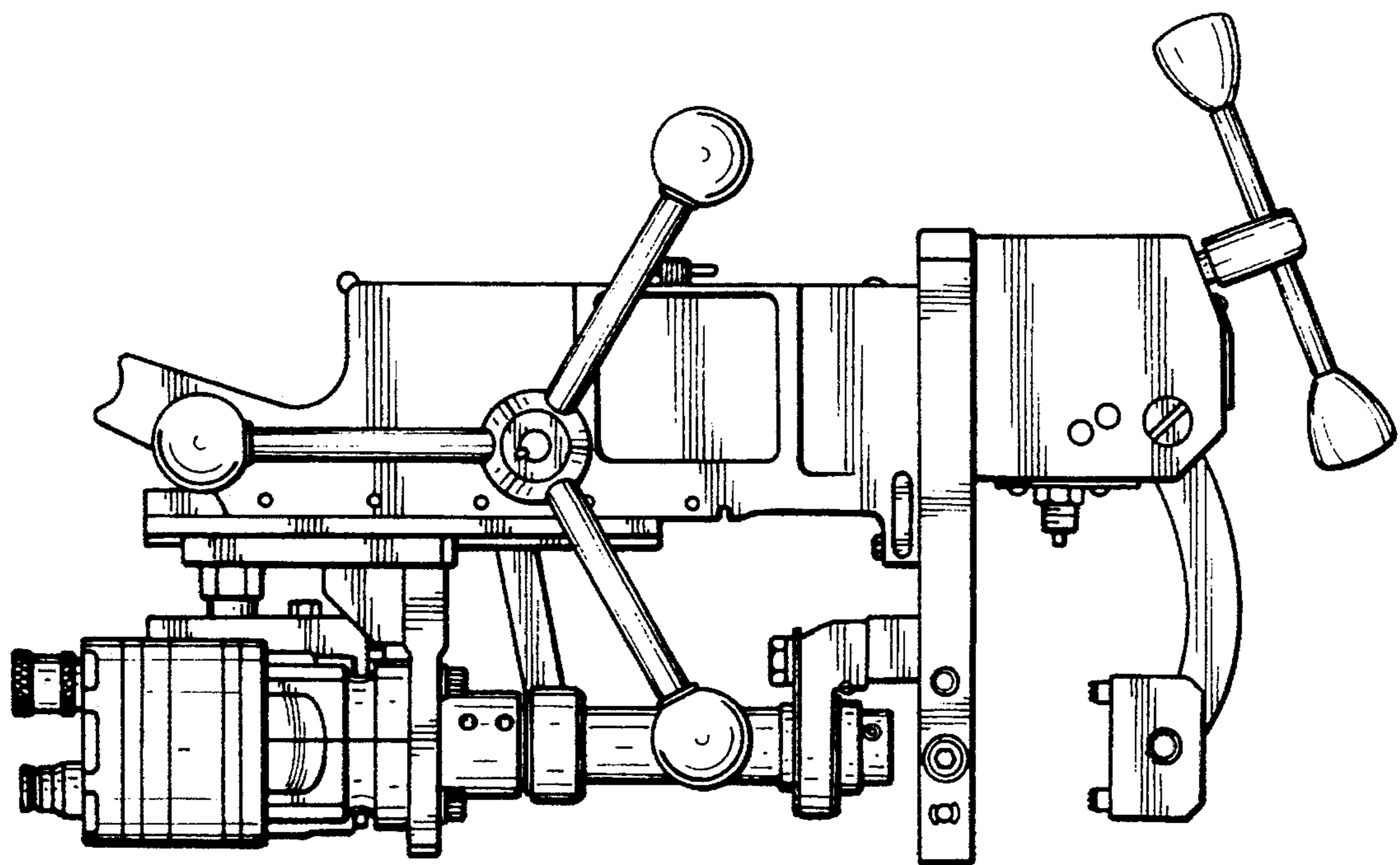


Fig-2

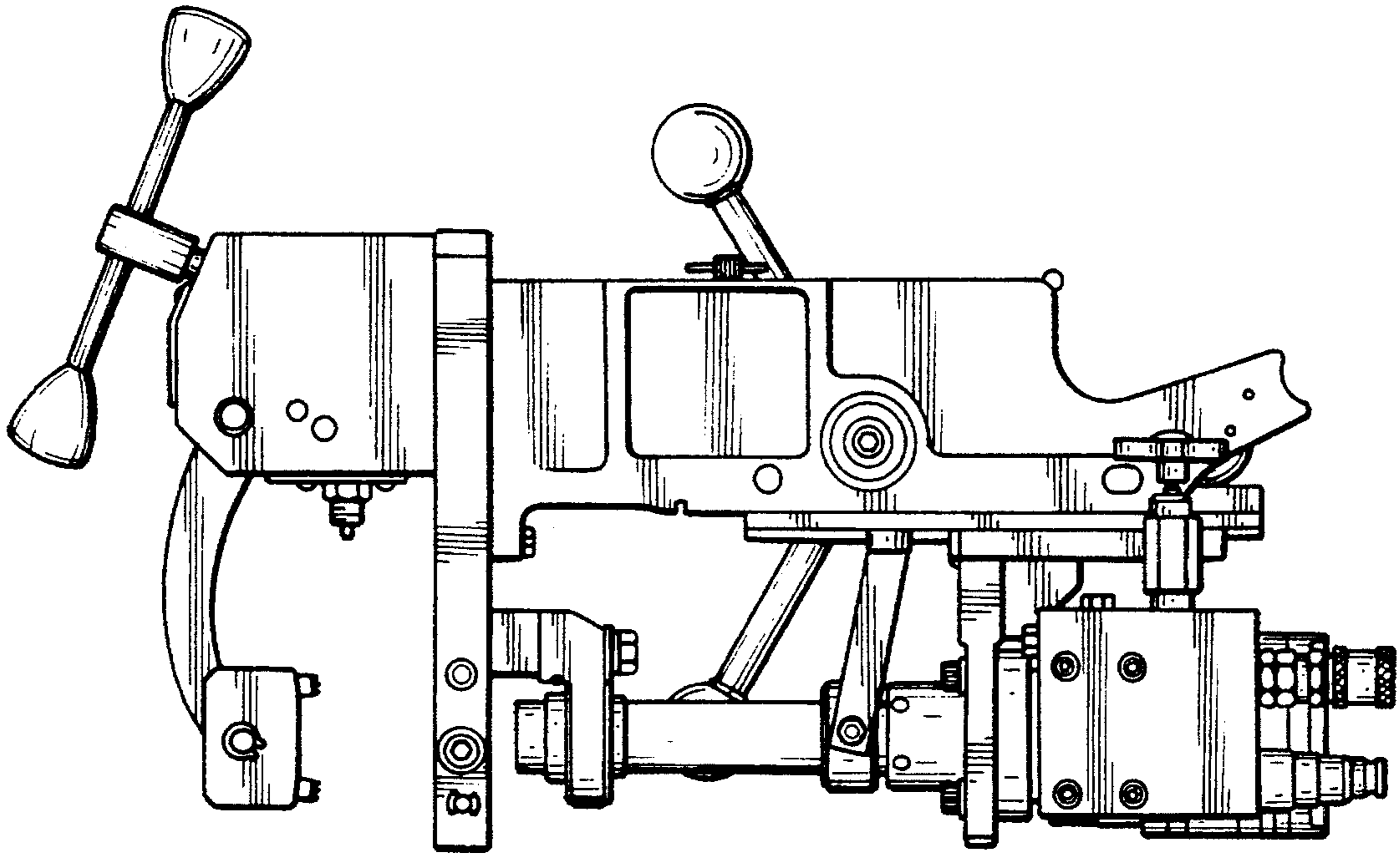


Fig-3

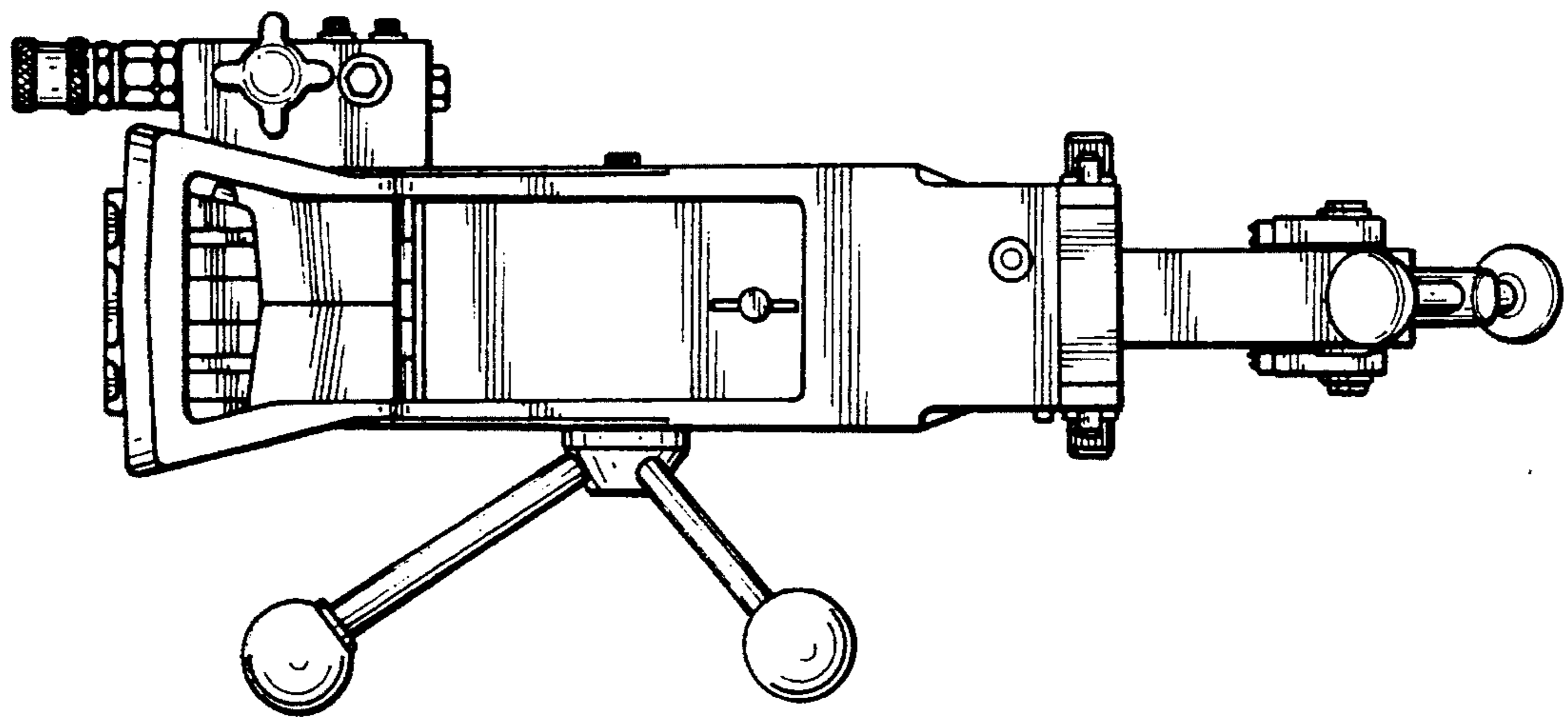


Fig-4

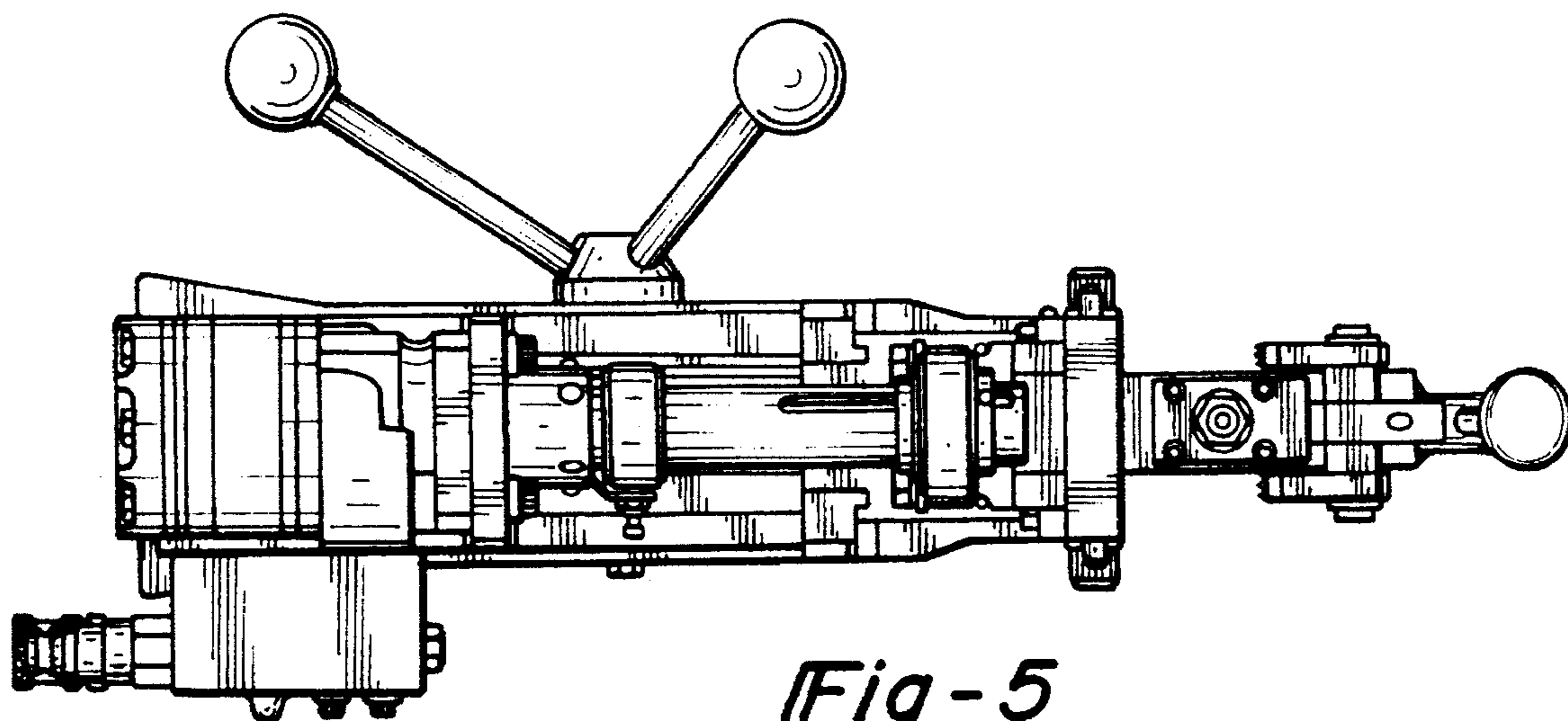


Fig-5

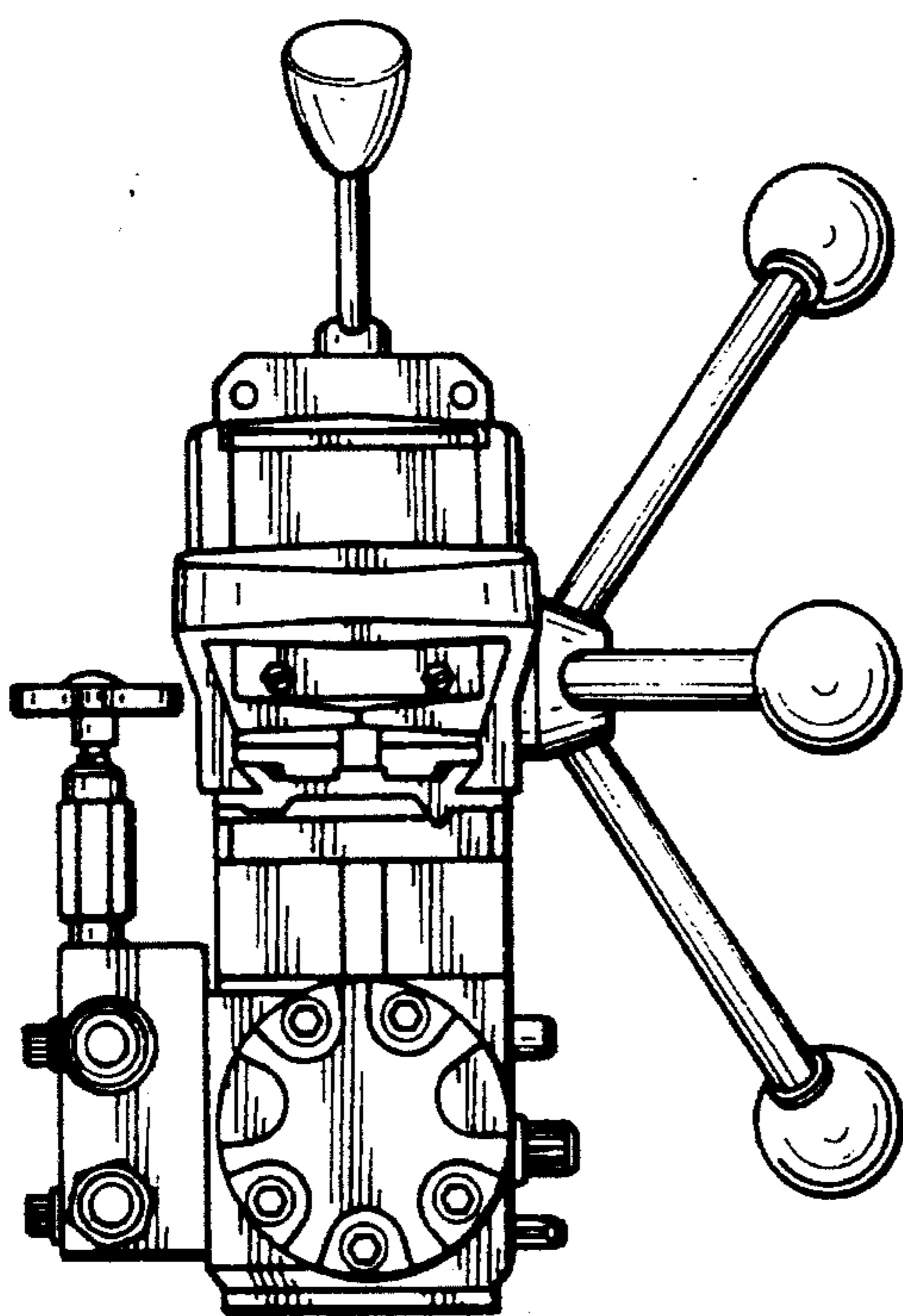


Fig-6

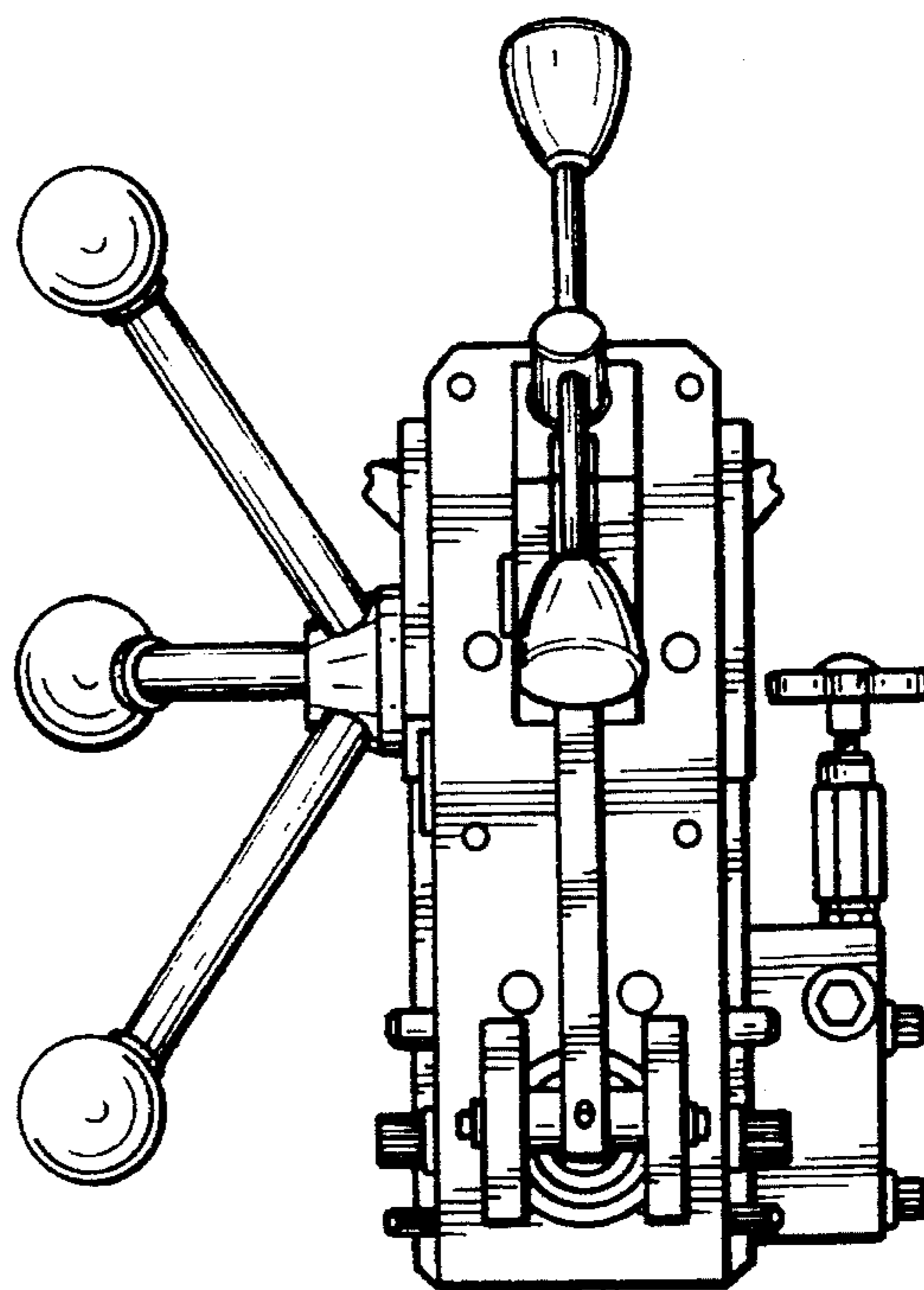


Fig-7