



US00D365580S

United States Patent [19]

Stiles et al.

[11] Patent Number: **Des. 365,580**

[45] Date of Patent: ****Dec. 26, 1995**

[54] **SPIRAL BINDING APPARATUS**

[75] Inventors: **William P. Stiles**, Bothell; **Sean M. MacLeod**, Renton; **Michael D. Nelson**, Seattle; **Mark E. Hastings**, Mukilteo; **David A. Herrin**, Seattle, all of Wash.

[73] Assignee: **Unicoil, Inc.**, Norcross, Ga.

[**] Term: **14 Years**

[21] Appl. No.: **29,606**

[22] Filed: **Oct. 11, 1994**

[52] U.S. Cl. **D15/128**; D19/72

[58] Field of Search D15/128; D19/72;
140/92.3; 281/21.1; 412/33, 34, 35, 36,
37, 38, 39, 40, 41, 7

[56] **References Cited**

U.S. PATENT DOCUMENTS

D. 192,265	2/1962	Crowle	D15/128
D. 246,204	10/1977	Balmer et al.	D19/72
3,122,761	3/1964	Bouvier	11/1
3,153,966	10/1964	Frederick et al.	83/571
3,227,023	1/1966	Bouvier	83/549
3,367,649	2/1968	Thomas et al.	271/10
3,427,914	2/1969	Staats et al.	83/467
3,459,074	8/1969	Pfaffle	77/22
3,459,242	8/1969	Schmidt	140/92.93
3,467,150	9/1969	Ostermeier	140/92.94
3,486,537	12/1969	Sickinger	140/92.94
3,592,242	3/1971	Sickinger	140/92.94
3,793,660	2/1974	Sims	11/1 AC
3,818,954	6/1974	Pfaffle	140/92.3
3,826,290	7/1974	Pfaffle	140/92.7
3,924,664	12/1975	Pfaffle	140/92.7

3,972,109	8/1976	Sickinger	29/434
4,129,156	12/1978	Pfaffle	140/92.4
4,129,913	12/1978	Pfaffle	11/1 A
4,143,686	3/1979	Sickinger et al.	140/92.93
4,185,668	1/1980	Harbert	140/92.4
4,208,750	6/1980	Pfaffle	11/1 A
4,249,278	2/1981	Pfaffle	11/1 A
4,378,822	4/1983	Morris	140/92.3
4,518,296	5/1985	Pearson et al.	412/36 X
5,073,076	12/1991	Packhill et al.	412/33
5,213,462	5/1993	Loibl	412/33
5,226,771	7/1993	Gardner	412/33 X

FOREIGN PATENT DOCUMENTS

717238	9/1965	Canada .
806461	2/1969	Canada .

Primary Examiner—Antoine Duval Davis
Attorney, Agent, or Firm—Christensen, O'Connor, Johnson & Kindness

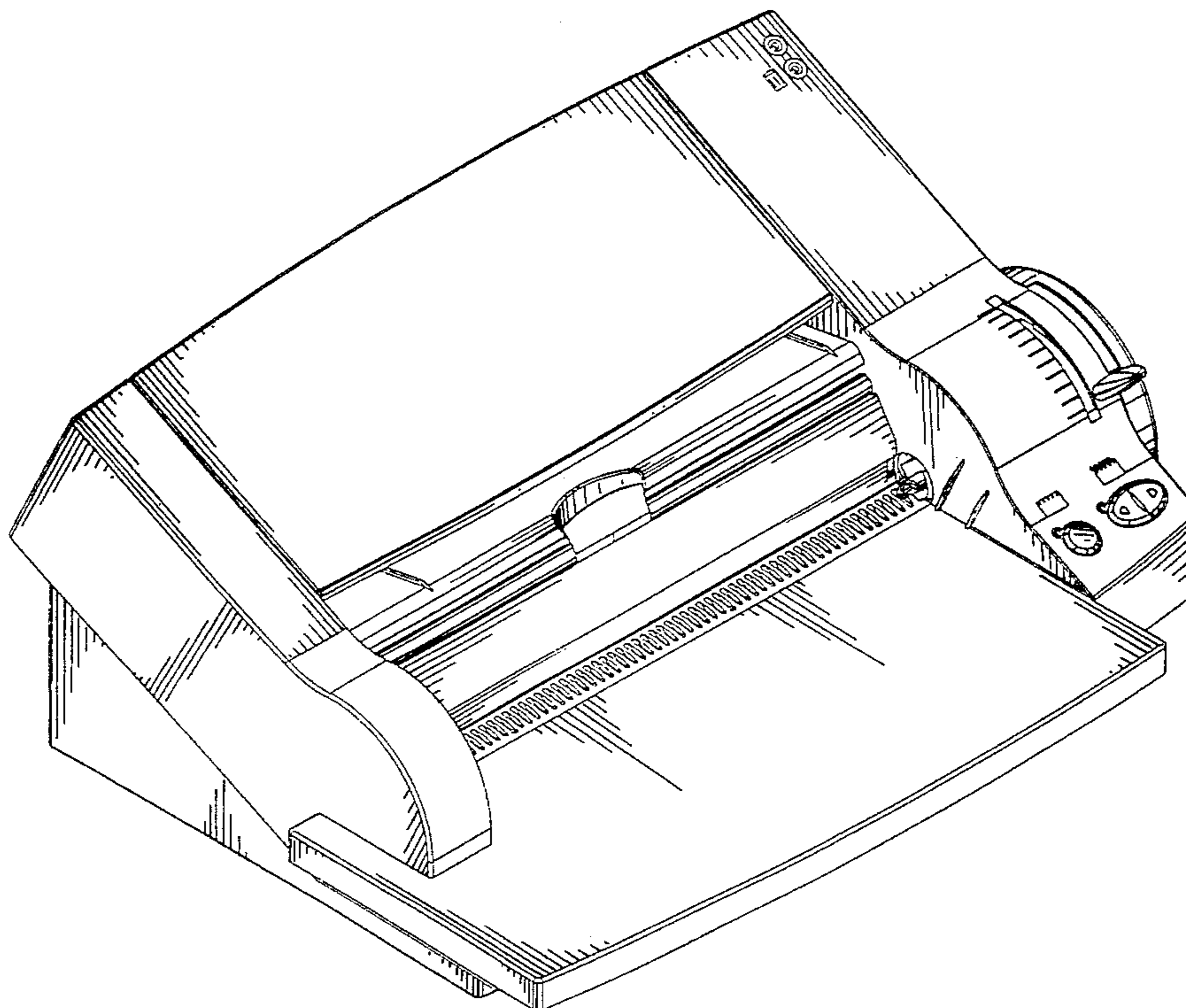
[57] **CLAIM**

The ornamental design for a spiral binding apparatus, as shown.

DESCRIPTION

FIG. 1 is a perspective view of a spiral binding apparatus showing our new design;
FIG. 2 is a front elevation view of one side thereof;
FIG. 3 is a back elevation view of one side thereof;
FIG. 4 is a bottom view thereof;
FIG. 5 is a top view thereof;
FIG. 6 is a side elevation view of one side thereof; and,
FIG. 7 is a side elevation view of the opposite side thereof.

1 Claim, 7 Drawing Sheets



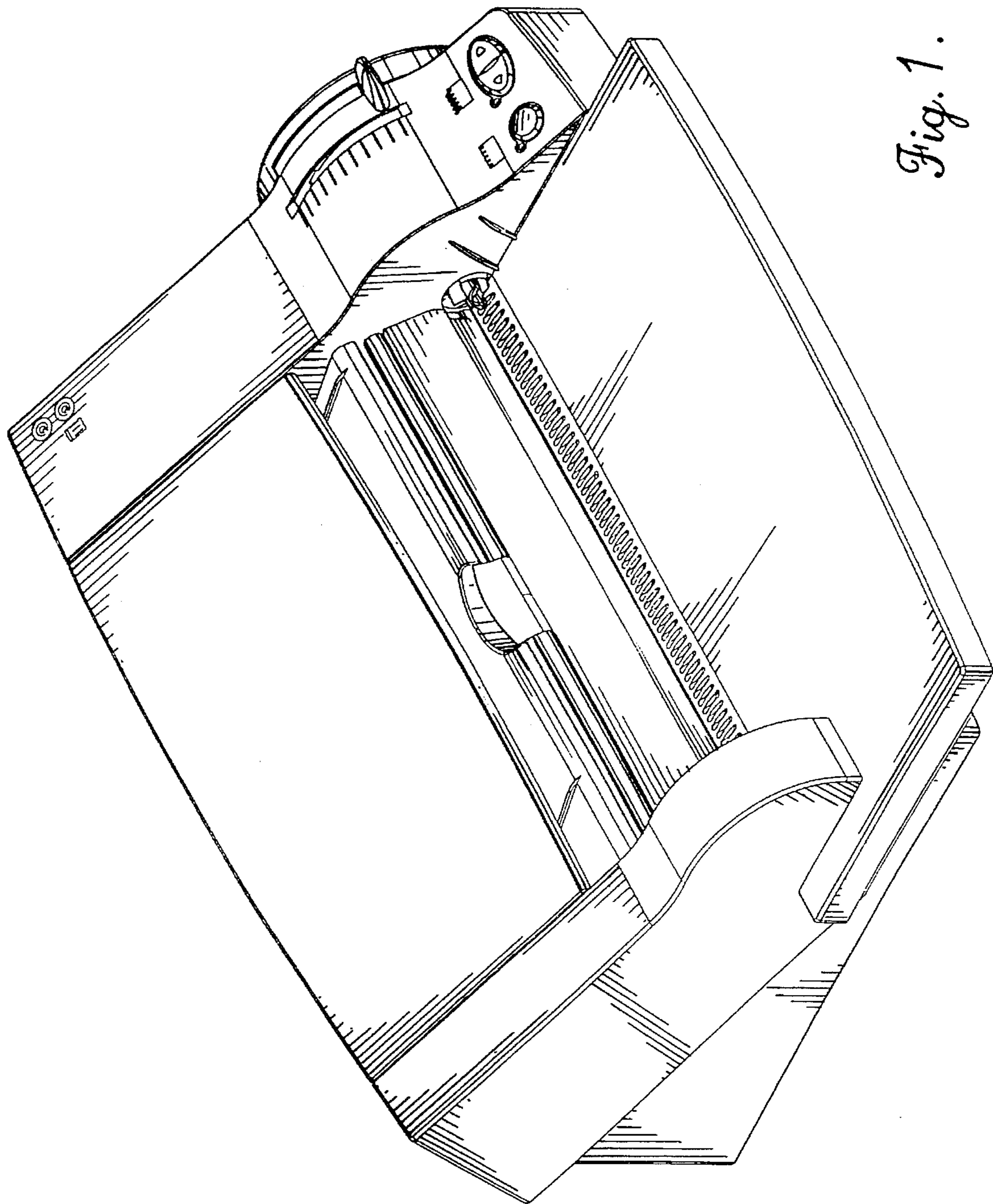


Fig. 1.

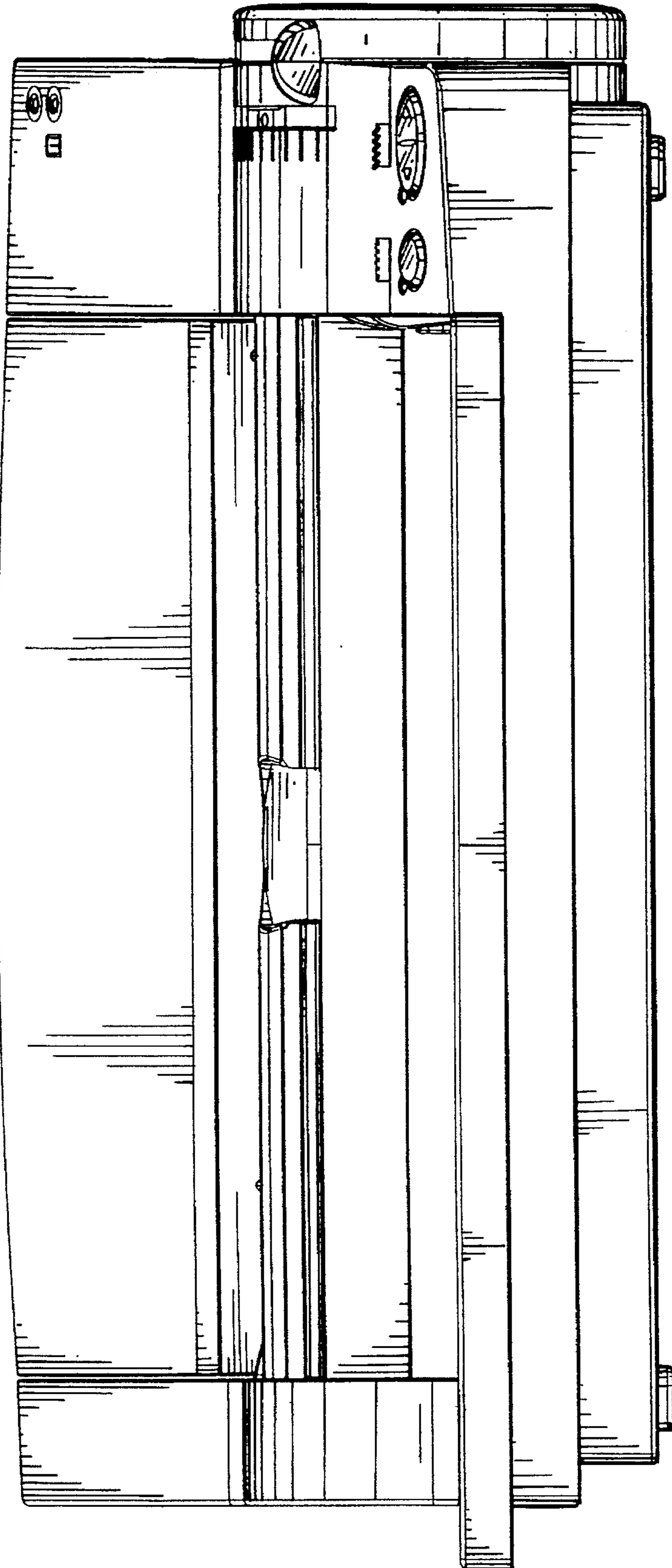


Fig. 2.

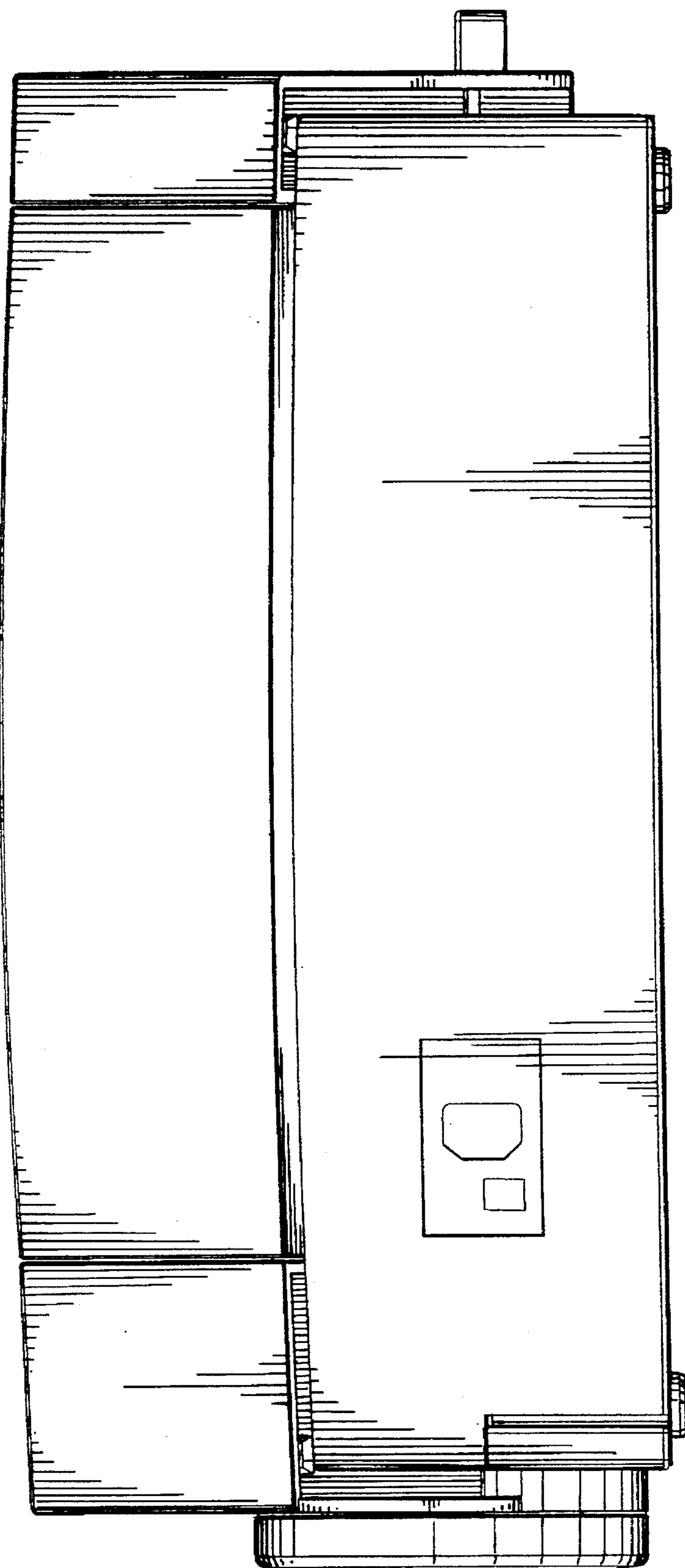


Fig. 3.

Fig. 4.

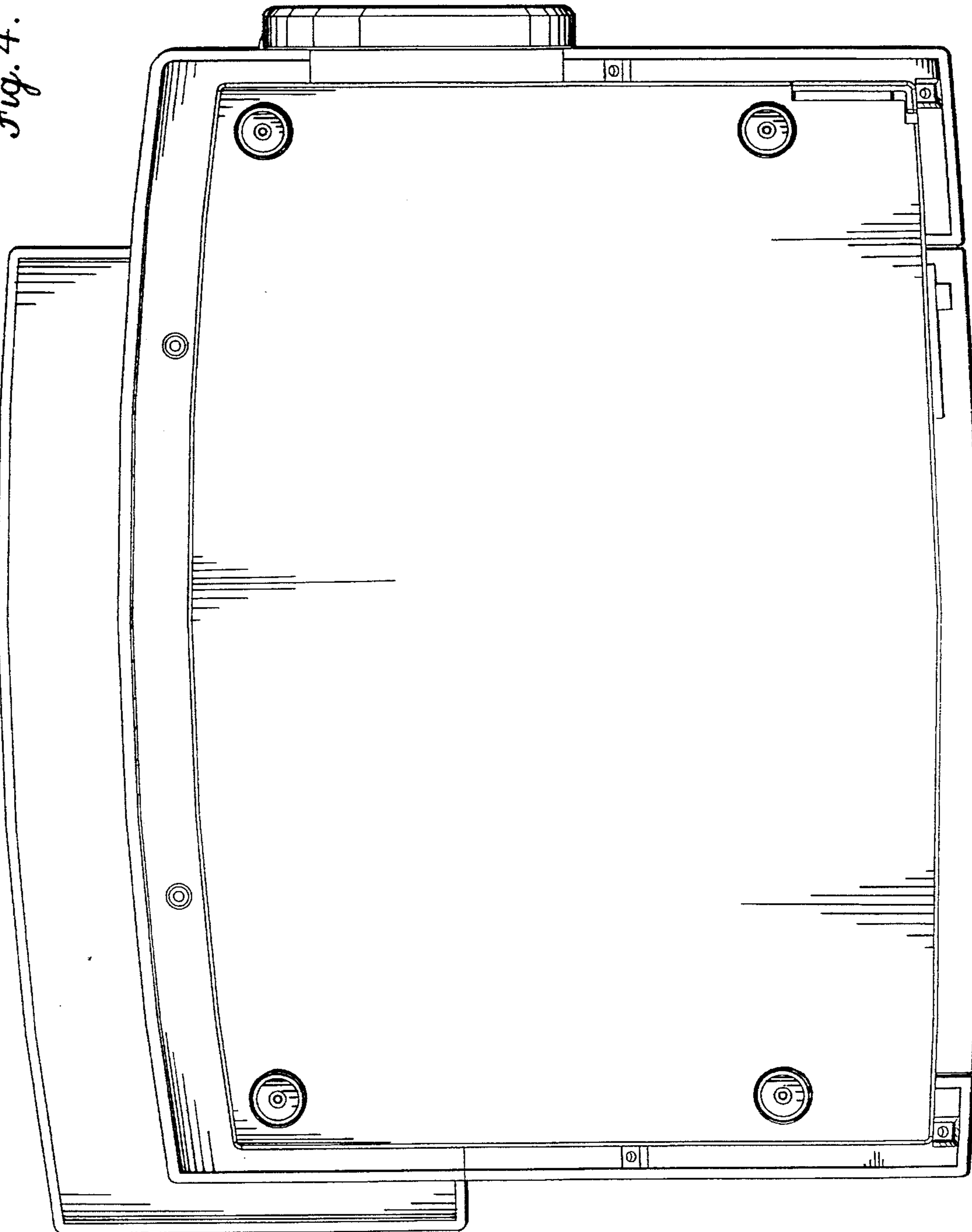
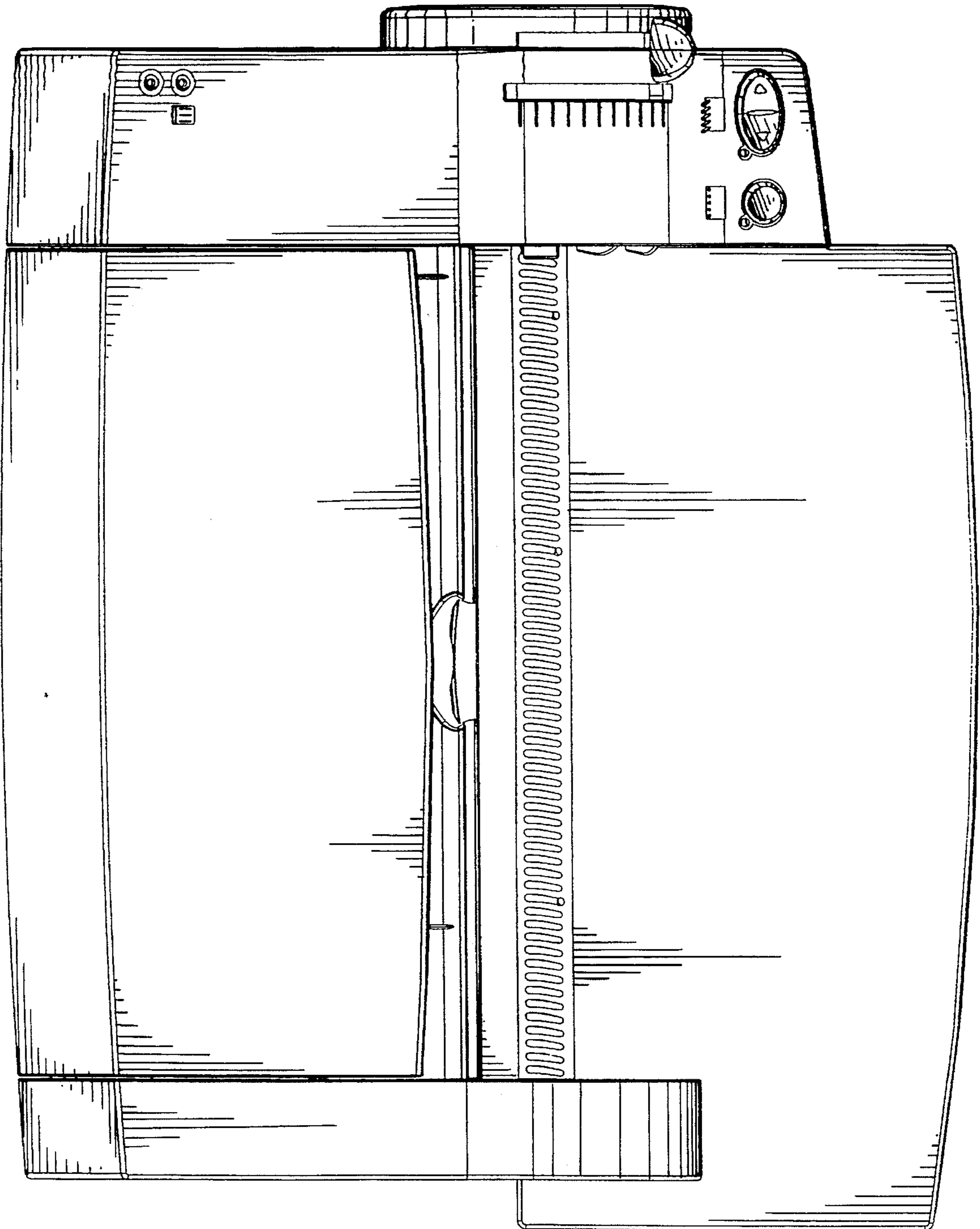


Fig. 5.



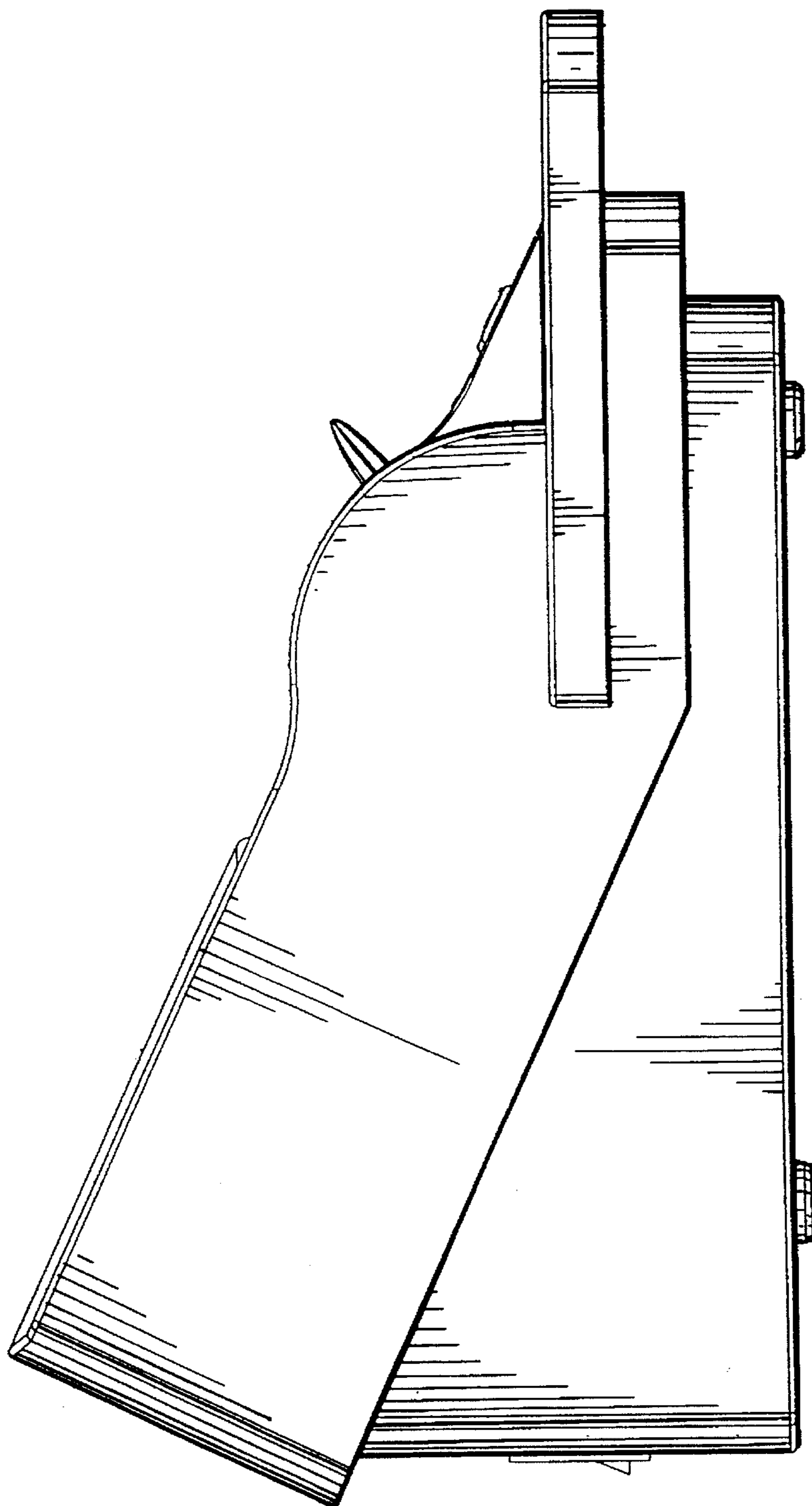


Fig. 6.

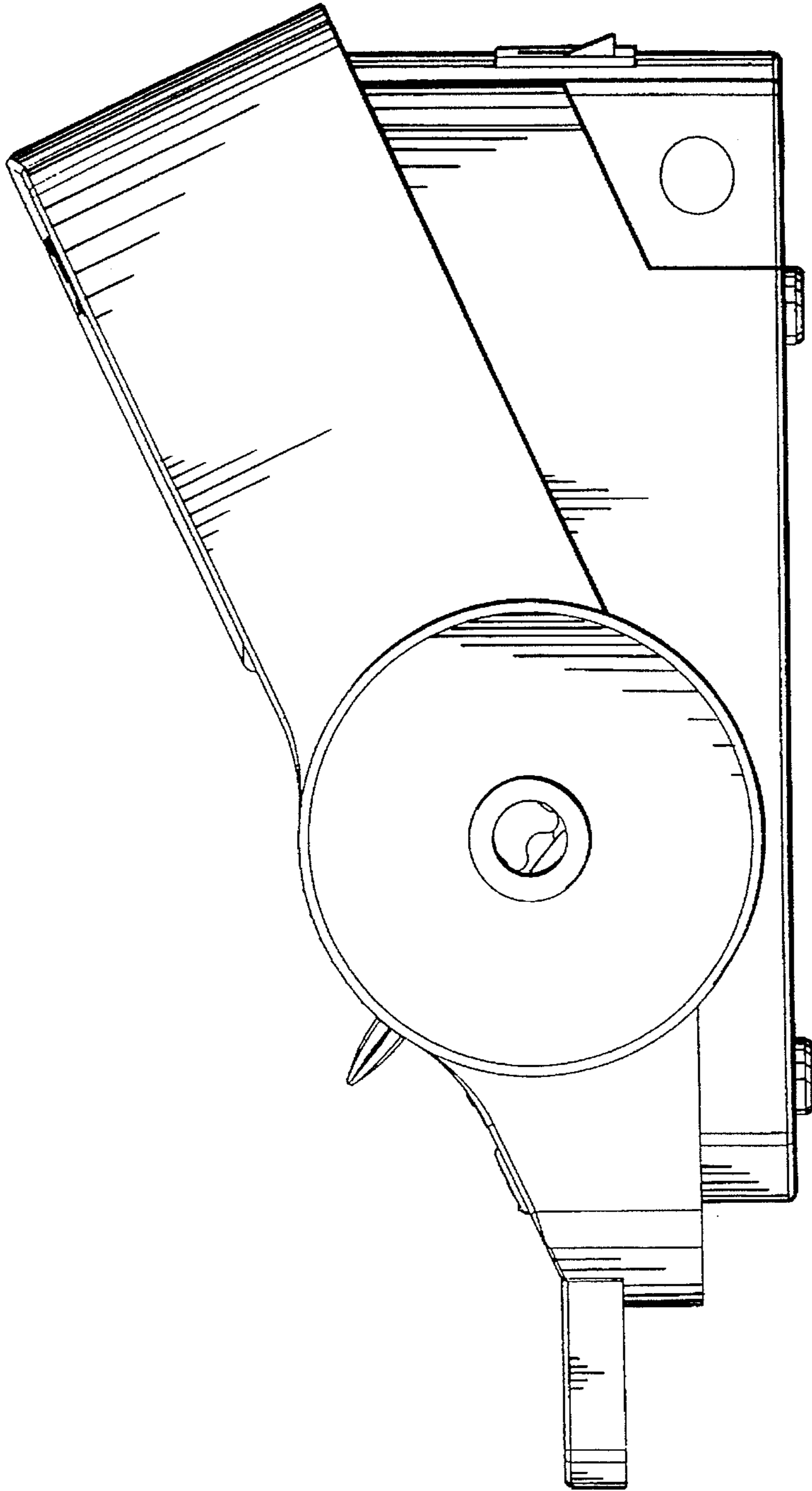


Fig. 7.