



US00D365578S

United States Patent [19]

[11] Patent Number: **Des. 365,578**

Westimayer et al.

[45] Date of Patent: ****Dec. 26, 1995**

[54] **FRONT FACE OF A VEHICLE GRILLE**

[75] Inventors: **David A. Westimayer**, Horicon, Wis.; **William E. Crookes**, Waldwick; **Daniel R. Nickles**, Hewitt, both of N.J.; **Alberto J. Mantilla**, Brooklyn, N.Y.; **David A. Reid**, Greenwich, Conn.

[73] Assignee: **Deere & Company**, Moline, Ill.

[**] Term: **14 Years**

[21] Appl. No.: **30,223**

[22] Filed: **Oct. 24, 1994**

[52] U.S. Cl. **D15/31; D15/17; D12/163**

[58] Field of Search **D12/163-165; D15/14-17, 22-26, 28, 31; 56/12.8, 13.4, 17.4-17.5, 202, 254, 255, 320.1, 320.2**

[56] **References Cited**

U.S. PATENT DOCUMENTS

| | | | |
|------------|---------|---------------------|---------|
| D. 97,230 | 10/1935 | Gubitz | D12/163 |
| D. 224,651 | 8/1972 | Lorenz et al. | D15/31 |
| D. 230,876 | 3/1974 | Lorenz et al. | D15/31 |
| D. 272,240 | 1/1984 | Berg | D12/163 |
| D. 279,569 | 7/1985 | Miggels et al. | D15/31 |
| D. 327,276 | 6/1992 | Sorensen | D15/17 |
| D. 352,723 | 11/1994 | DeBraul et al. | D15/17 |
| D. 356,584 | 3/1995 | Innes | D15/17 |

OTHER PUBLICATIONS

Deere & Co., "John Deere Tractors 1918,1987", comprised of 72 pages, see particularly pp. 12, 13, and 61, dated 1987, published in the U.S.A.

Deere & Co., "STX and LX Lawn Tractors", pp. 1-8, see particularly pp. 1 and 6, dated 1994, published in the U.S.A.

Deere & Co., "Lawn and Garden Tractors", pp. 1-8, see particularly p. 4, dated 1994, published in the U.S.A.

Kubota Tractor Corporation, "Kubota Diesel Tractor L2550GST", 16 pages, see particularly pp. 1, 3, and 12, dated 1987, published in Japan.

Toro Company, "Toro Reelmaster 216", pp. 1-4, see par-

ticularly pp. 1 and 3, dated 1990, published in the U.S.A. Cub Cadet Power Equipment, "Cub Cadet Power Equipment Garden Tractors", pp. 1-20, see particularly pp. 1, 3, 7-12, and 14, dated 1991, published in the U.S.A.

Allied Products Corporation, "Field Boss 31", pp. 1-4 see particularly p. 1, dated 1987, published in the U.S.A.

Yamaha Outdoor Power Equipment Division, "Yamaha YT3600", 2 pages, see particularly p. 1, dated 1989, published in the U.S.A.

Mitsubishi Agricultural Machinery Company, Ltd., "Mitsubishi MT300/MT300D, A New Dimension in Multi-Purpose Tractors", pp. 1-4, see particularly pp. 1 and 3-4, dated 1984, published in Japan.

Westwood Engineering Company Ltd., Westwood, "Cutting the Cost of the Country Garden", pp. 1-8, see particularly cover page and pp. 2, 4, and 6, dated prior to 1994, published in the U.S.A.

Ji Case Company, Racine, Wis., "A Family Affair, Fun Driving Case Compacts", pp. 1-16, see particularly the cover page and pp. 1, 4, 6, 7, 9, 10 and 12, dated prior to 1990, published in the U.S.A.

Palmer Products, "Track Vac, Residential Lawn Care Equipment", pp. 1-6, see particularly the cover page, dated prior to 1993, published in the U.S.A.

Primary Examiner—Sandra L. Morris

[57] **CLAIM**

The ornamental design for a front face of a vehicle grille, as shown and described.

DESCRIPTION

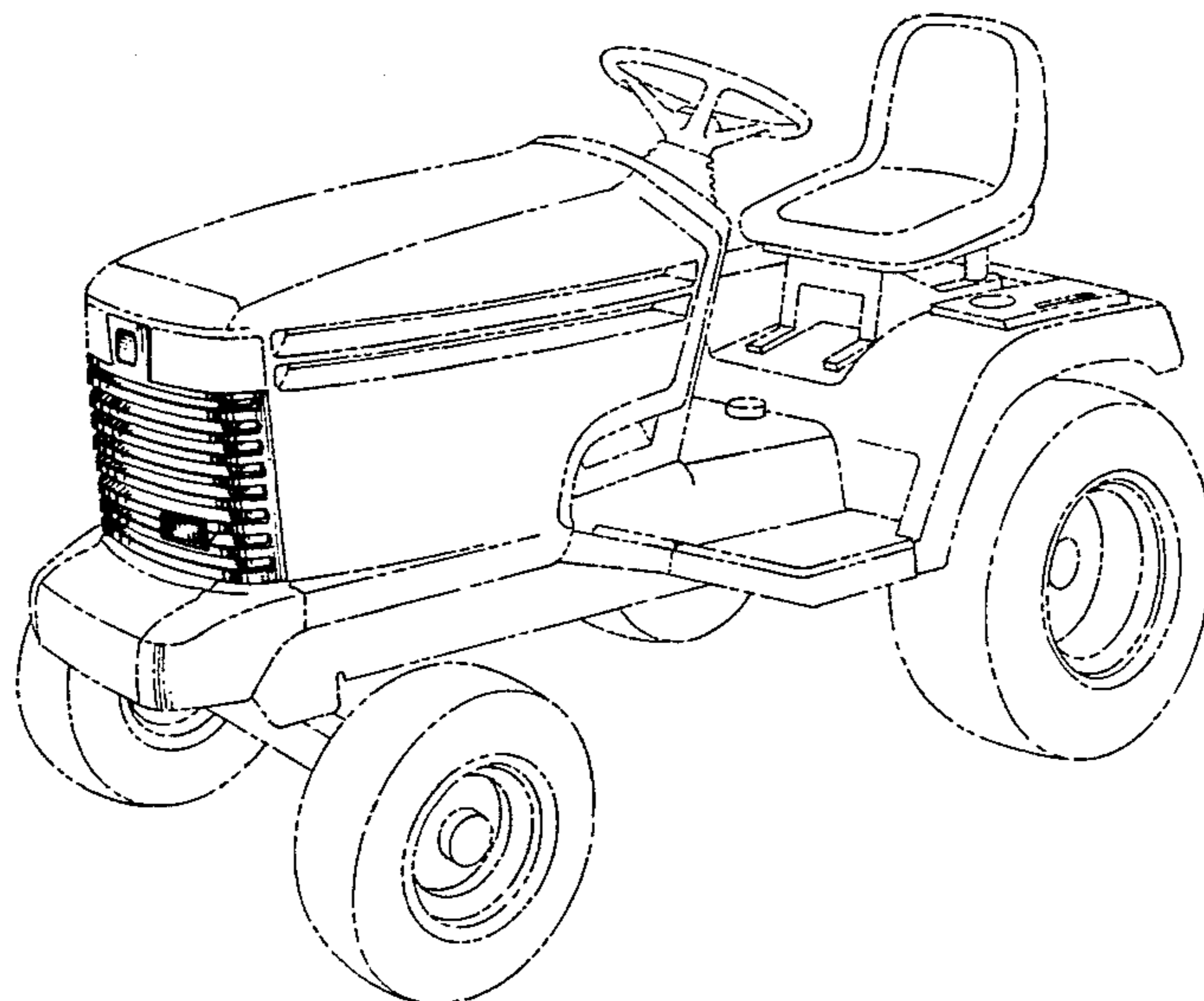
FIG. 1 is a perspective view of a front face of a vehicle grille, showing our new design, the broken lines being for illustrative purposes only, and forming no part of the claimed design;

FIG. 2 is an enlarged front elevational view thereof;

FIG. 3 is an enlarged right side elevational view thereof; and,

FIG. 4 is an enlarged left side view thereof.

1 Claim, 3 Drawing Sheets



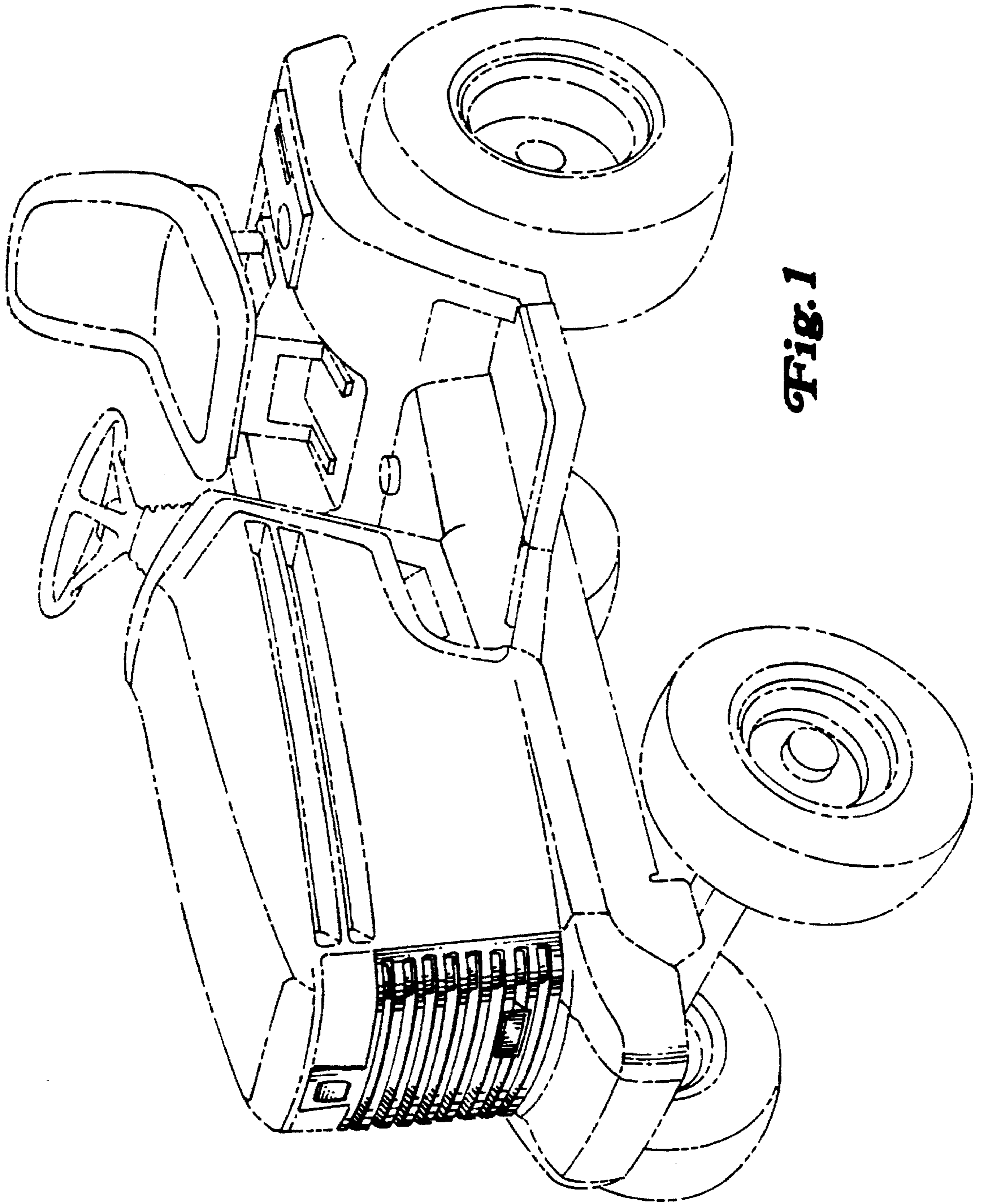


Fig. 1

Fig. 2

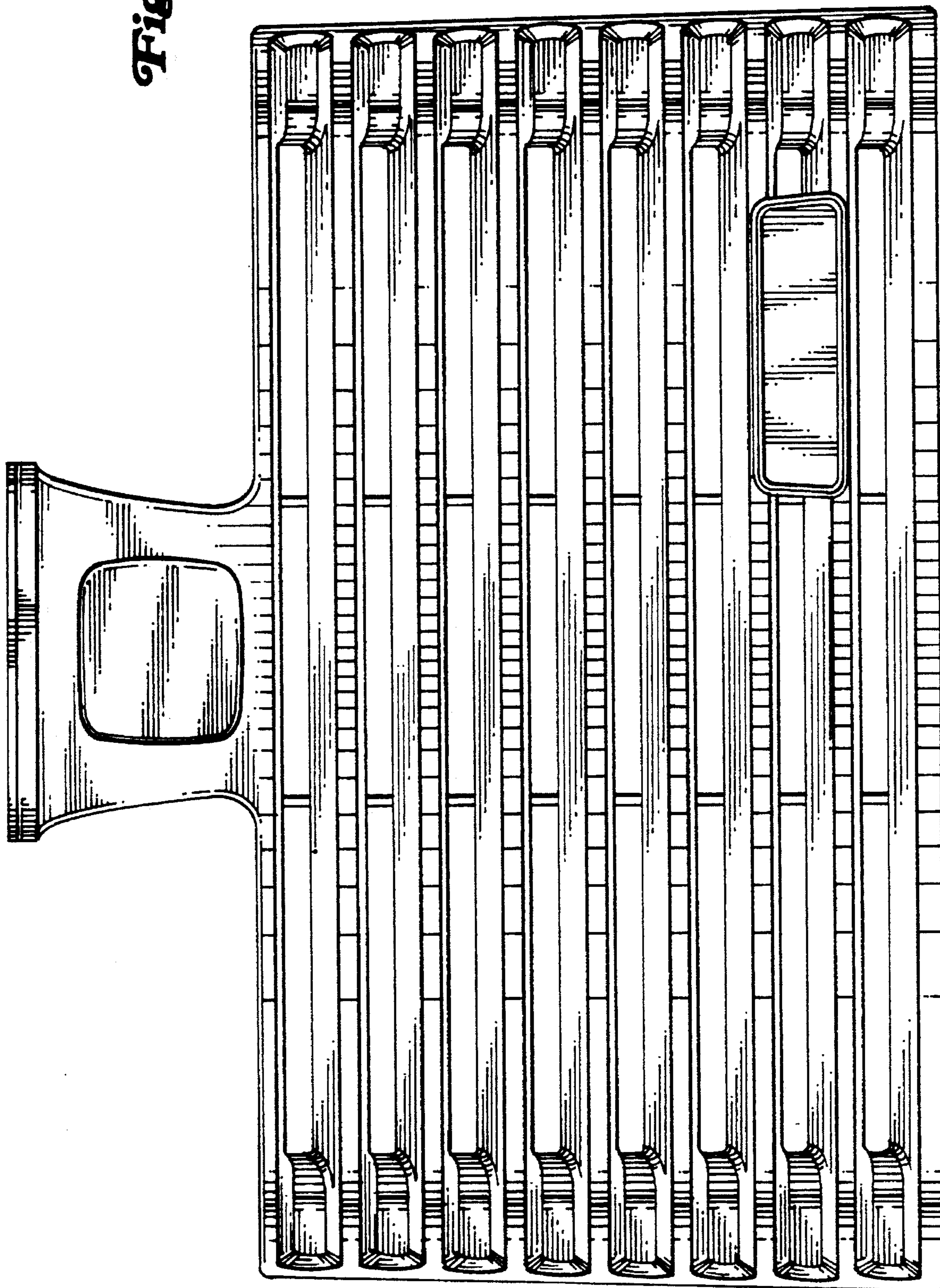


Fig. 3

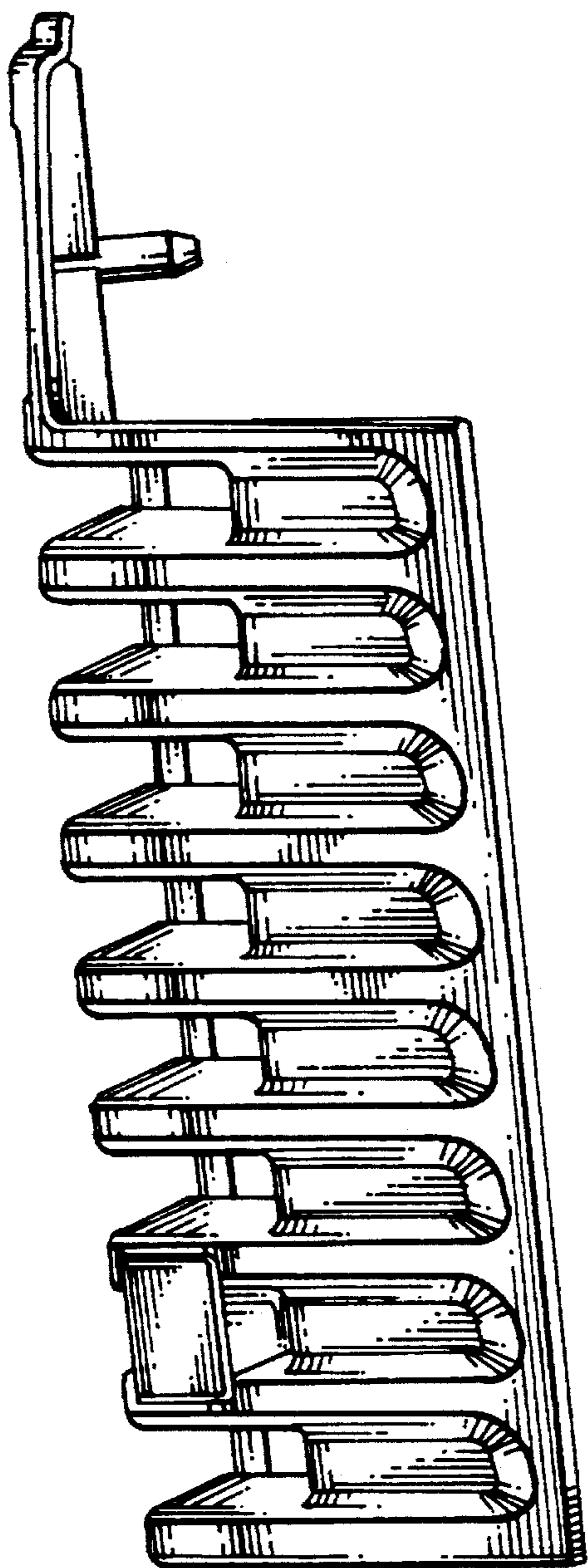


Fig. 4

