



US00D365575S

United States Patent [19]
Geiser

[11] **Patent Number: Des. 365,575**
[45] **Date of Patent: **Dec. 26, 1995**

[54] **FRONT END PORTION OF AN APPARATUS FOR DISTRIBUTING GRANULAR MATERIAL WITHIN A CONTAINER**

FOREIGN PATENT DOCUMENTS

61-38012 2/1986 Japan D8/10 X

OTHER PUBLICATIONS

Beacon Plastics Folding Shovel, *Industrial Design* 1960, p. 99.
Bissell Snow Shovel Ad, *Hardware Age Magazine*, Sep. 18, 1966, p. 81.
Brochure entitled "Grain Handlers: Low Cost Drying Systems" Sukup Grain Handlers (undated).
Brochure entitled "Spread-All Complete Offering of Grain Spreaders", Spread-All Mfg. Co. (undated).

[75] Inventor: **Richard L. Geiser**, Goshen, Ind.
[73] Assignee: **CTB, Inc.**, Milford, Ind.
[**] Term: **14 Years**
[21] Appl. No.: **13,481**
[22] Filed: **Sep. 24, 1993**
[52] U.S. Cl. **D15/28; D9/436**
[58] **Field of Search** D7/376, 378, 383; D8/10, 18; D9/434-436, 499; D15/11, 13, 28; 220/262; 222/162-164, 166-167, 185, 503, 508, 520, 526, 536-537; 239/666, 687

Primary Examiner—Alan P. Douglas
Assistant Examiner—Robert M. Spear
Attorney, Agent, or Firm—Harness, Dickey & Pierce

[57] **CLAIM**

The ornamental design for a front end portion of an apparatus for distributing granular material within a container, as shown and described.

[56] **References Cited**

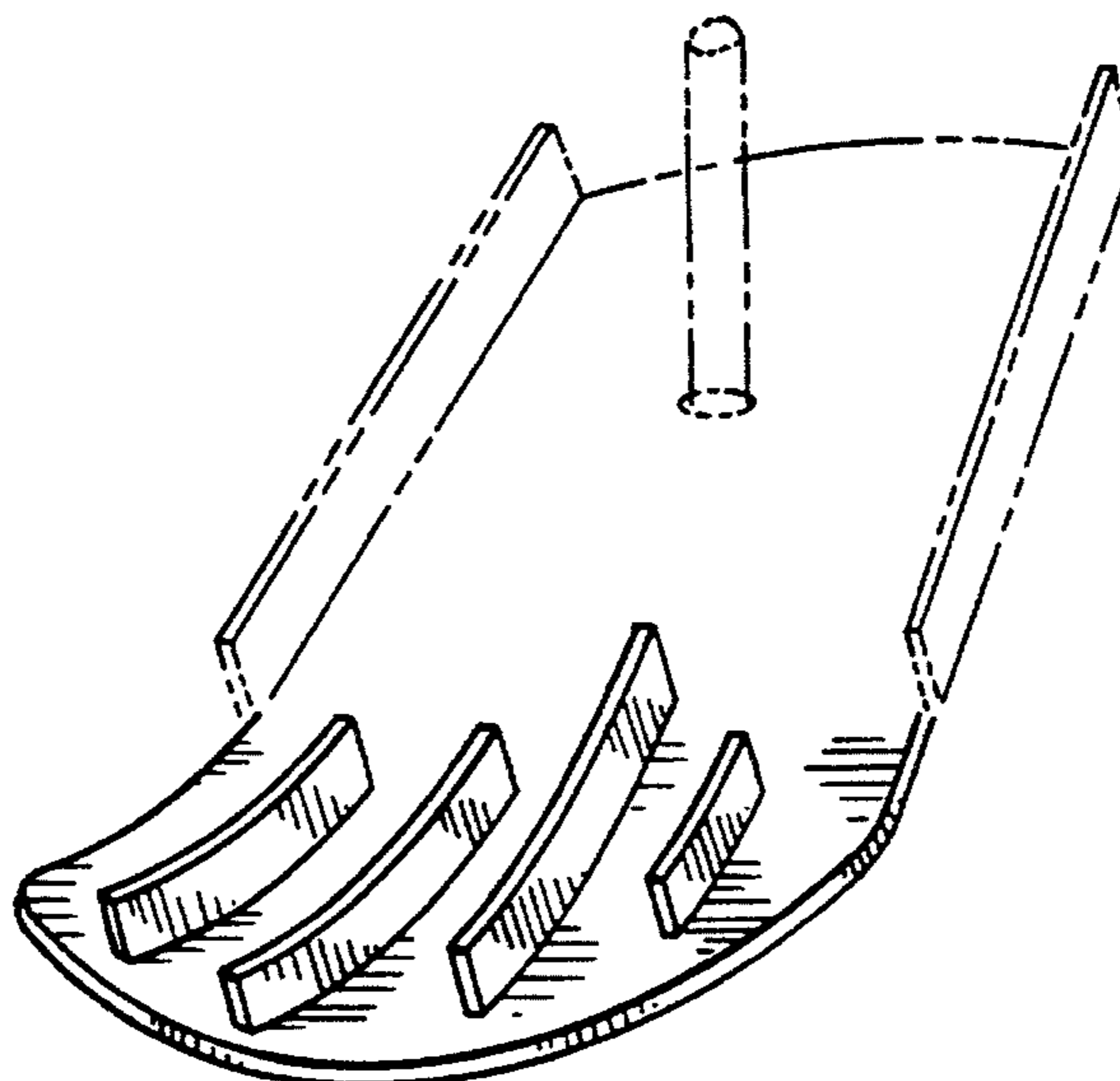
U.S. PATENT DOCUMENTS

D. 143,108	12/1945	Ahrndt	D7/383
D. 281,325	11/1985	Nordland	D15/11
D. 314,778	2/1991	Rabitsch	D15/28
D. 329,176	9/1992	Norton et al.	D8/10
D. 345,887	4/1994	Heiberg	D7/376
969,307	9/1910	Sumerlin	D8/10
969,975	9/1910	Olmstead	D8/10
1,047,755	12/1912	Craig	.	
1,368,270	2/1921	Lissman	222/536
1,615,878	2/1927	Laird	.	
2,659,346	11/1953	Paparazzo et al.	222/536
2,668,648	2/1954	Carlsen	222/536
3,733,764	5/1973	Hege	.	
3,961,660	6/1976	Vinci	.	
4,208,839	6/1980	Candy, Sr.	.	
4,267,936	5/1981	Pavlicek	.	
4,327,522	5/1982	Meadows	.	
4,598,496	7/1986	Van Daele	.	
4,625,888	12/1986	Thompson	.	
4,930,446	6/1990	Huisinga	.	
5,158,502	10/1992	Frost	.	

DESCRIPTION

FIG. 1 is a front perspective view of the apparatus showing my design;
FIG. 2 is a front elevational view of the front end portion shown in FIG. 1, it will be understood that the flat blade element of the front end portion is substantially planar;
FIG. 3 is a top plan view of the front end portion shown in FIG. 1;
FIG. 4 is a rear elevational view of the front end portion shown in FIG. 1; and,
FIG. 5 is a bottom plan view of the front end portion shown in FIG. 1.
The broken line showing in all views of the rear portion of a front end portion of an apparatus for distributing granular material within a container is for illustrative purposes only and forms no part of the claimed design.

1 Claim, 2 Drawing Sheets



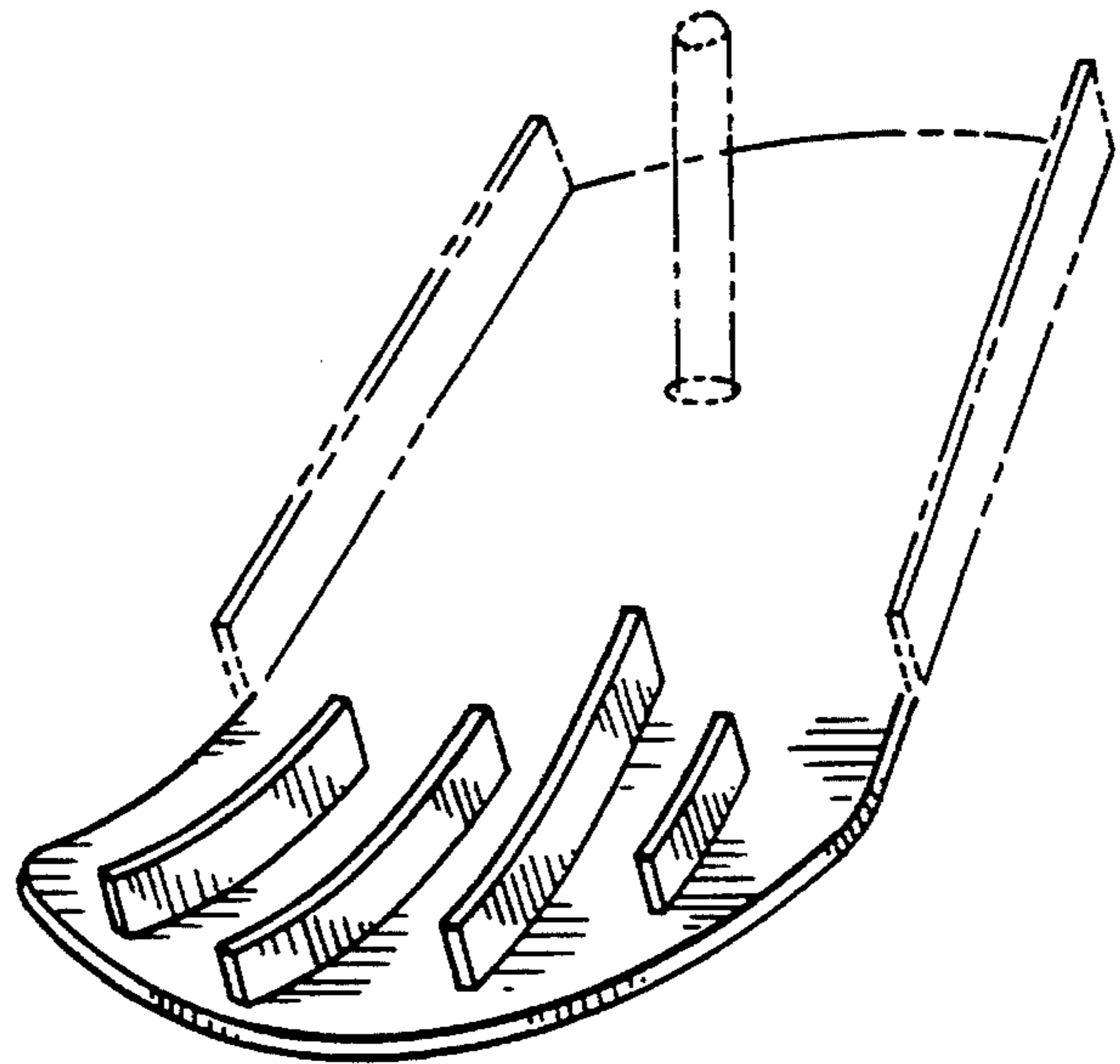


FIG. 1.

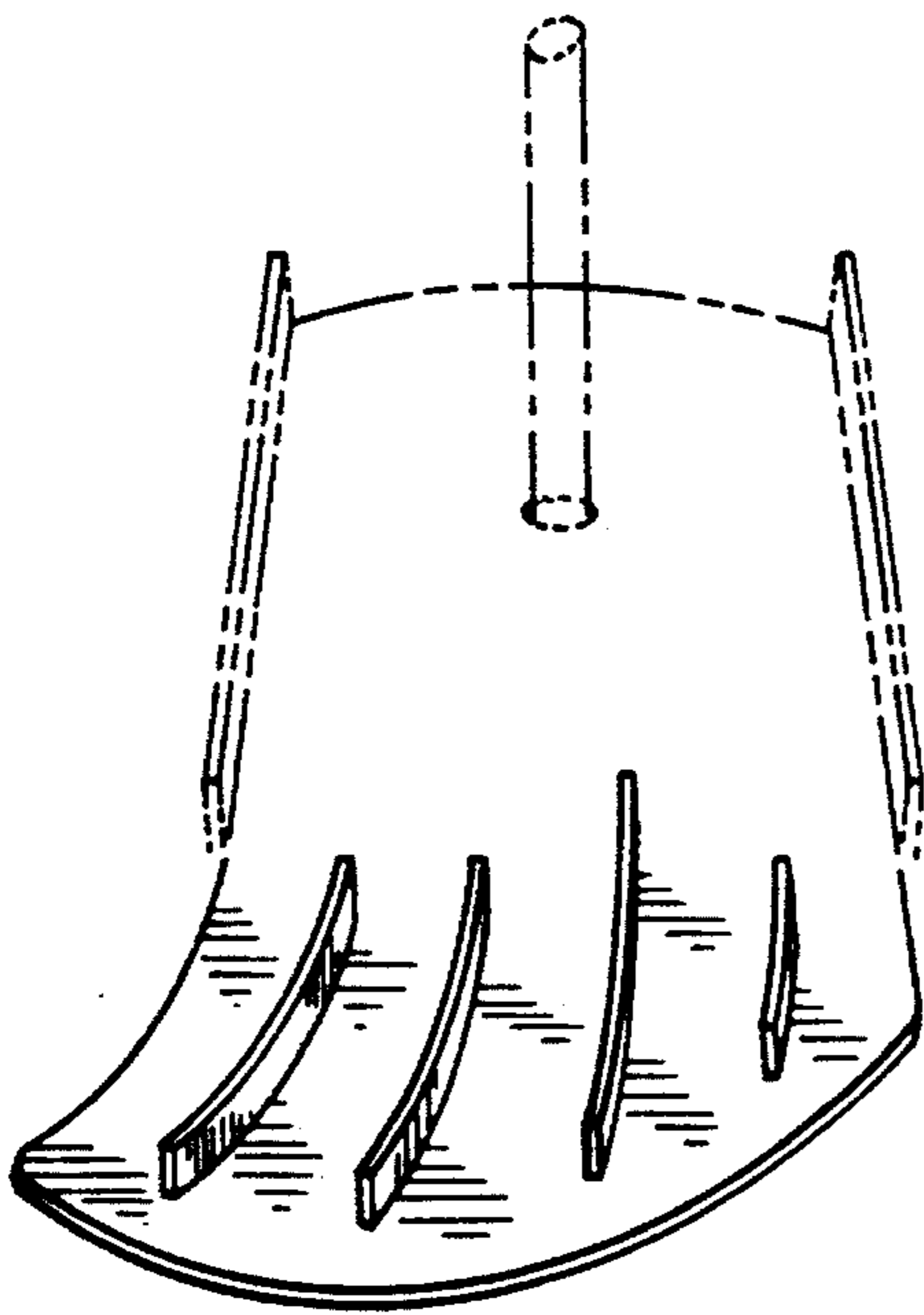


FIG. 2.

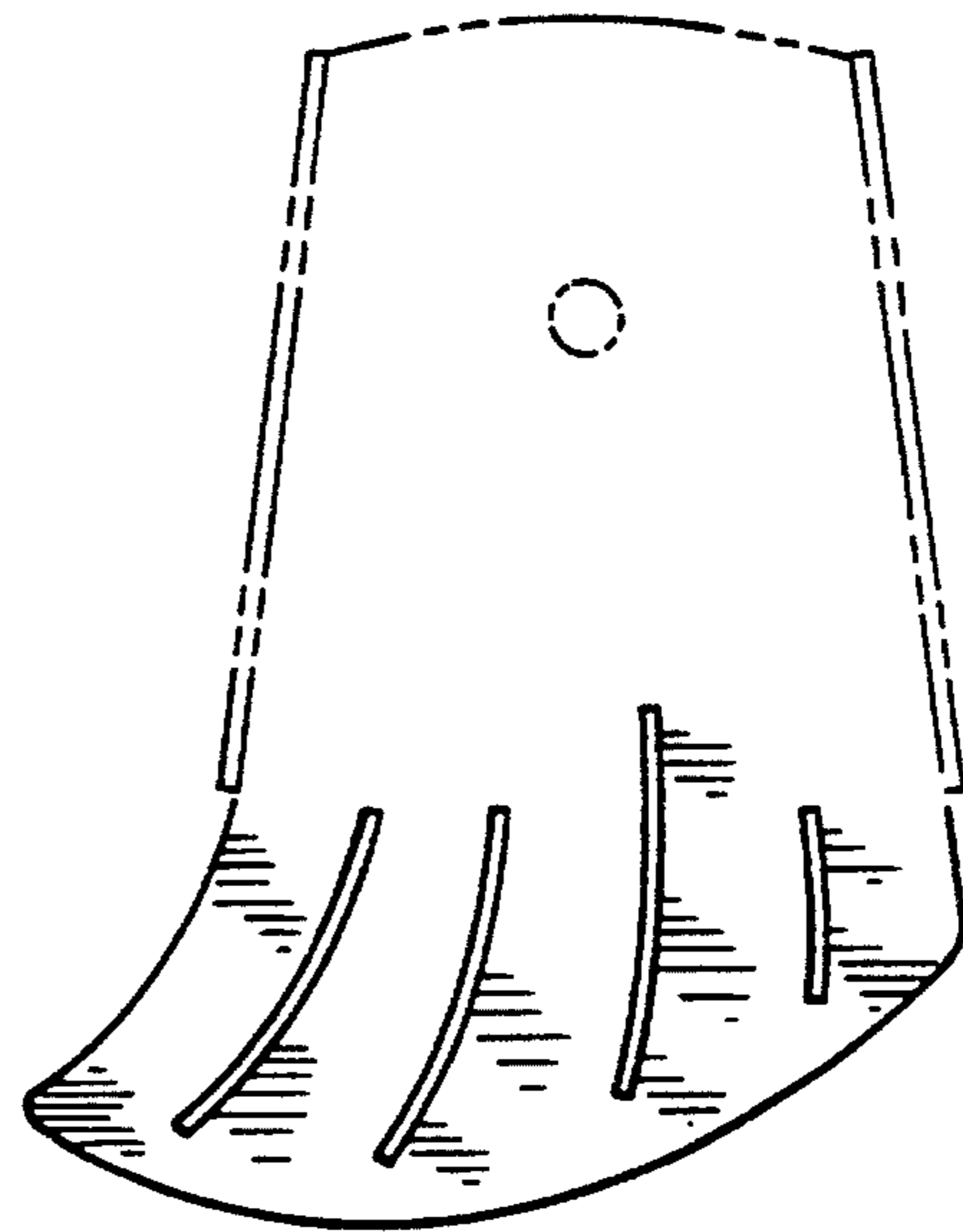


FIG. 3.

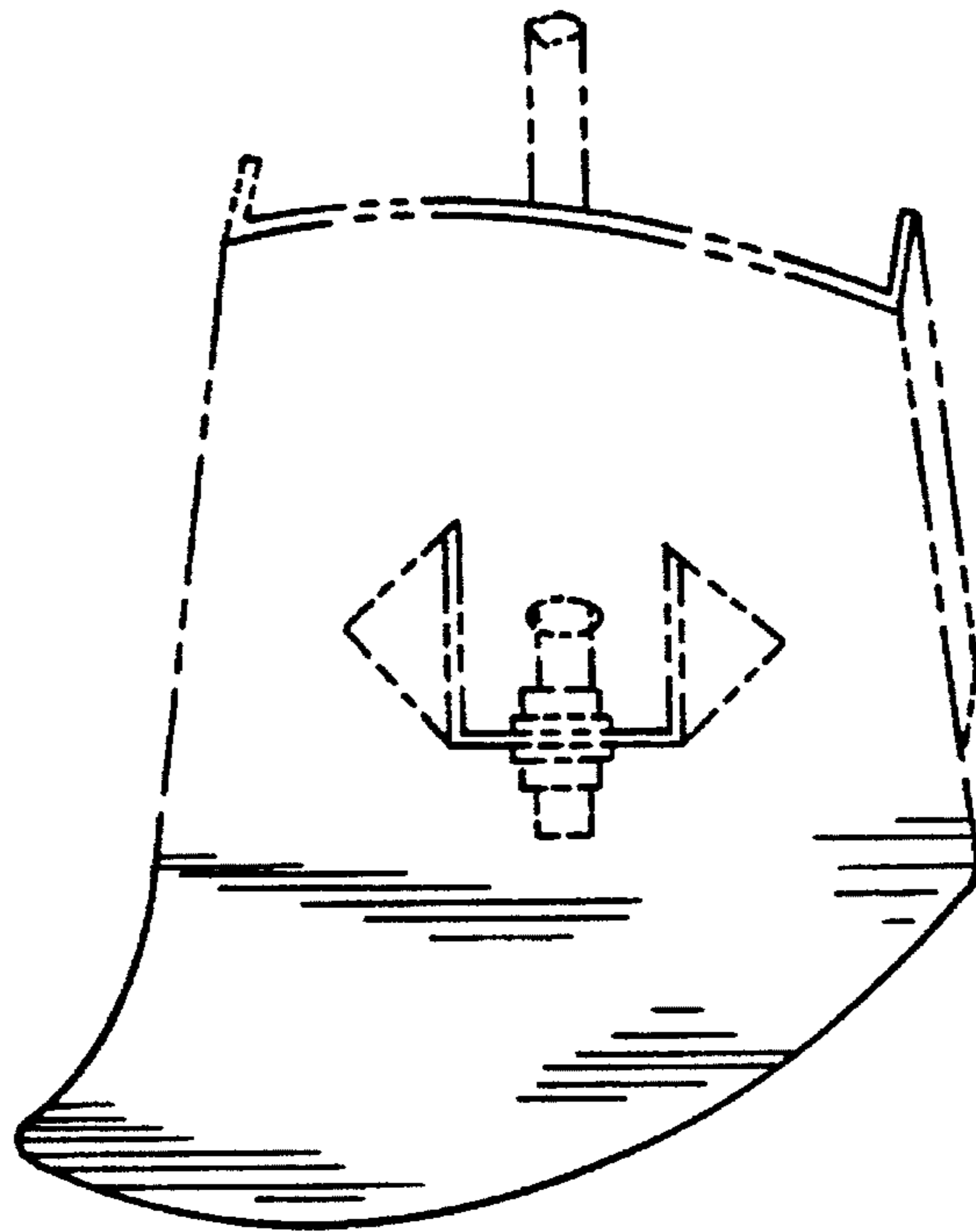


FIG. 4.

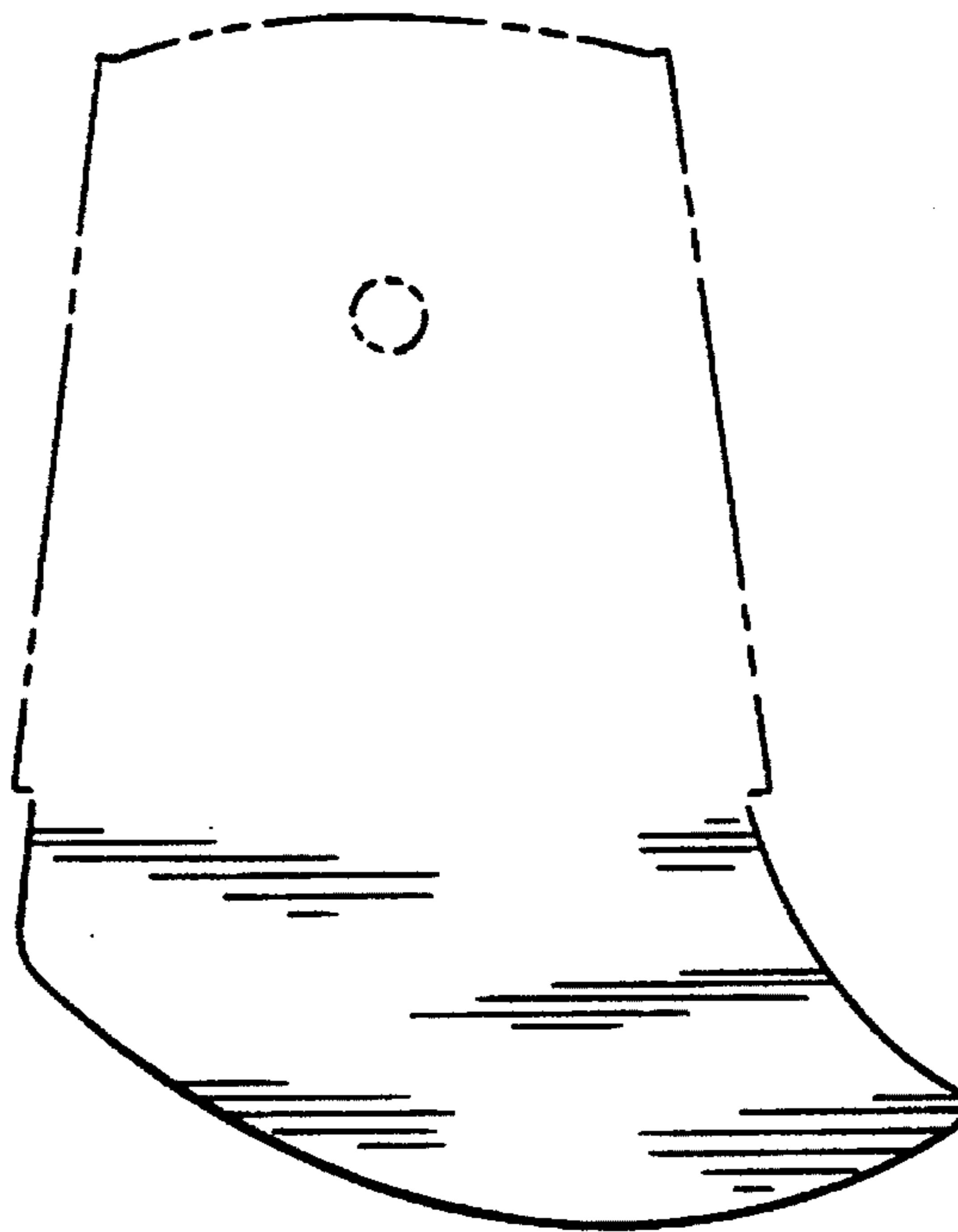


FIG. 5.

UNITED STATES PATENT AND TRADEMARK OFFICE
CERTIFICATE OF CORRECTION

PATENT NO. : Des. 365,575
DATED : December 26, 1995
INVENTOR(S) : Geiser

It is certified that error appears in the above-identified patent and that said Letters Patent is hereby corrected as shown below:

ON THE TITLE PAGE, in References Cited block #56, please add the following references.

2,877,932	3/1959	Whitmire	222/536
2,977,027	3/1961	Alden	222/185
3,791,592	2/1974	Cobb	239/666
3,966,124	6/1976	Sukup	239/666
3,989,194	11/1976	Parker	239/666

Signed and Sealed this
Second Day of December, 1997

Attest:



BRUCE LEHMAN

Attesting Officer

Commissioner of Patents and Trademarks