



US00D365574S

# United States Patent [19]

[11] Patent Number: **Des. 365,574**

Westimayer et al.

[45] Date of Patent: **\*\*Dec. 26, 1995**

[54] **TRACTOR INSTRUMENT PANEL**

[75] Inventors: **David A. Westimayer**, Horicon, Wis.; **William E. Crookes**, Waldwick; **Daniel R. Nickles**, Hewitt, both of N.J.; **Alberto J. Mantilla**, Brooklyn, N.Y.; **David A. Reid**, Greenwich, Conn.; **Anthony J. Baxter**, New York, N.Y.

[73] Assignee: **Deere & Company**, Moline, Ill.

[\*\*] Term: **14 Years**

[21] Appl. No.: **30,225**

[22] Filed: **Oct. 24, 1994**

[52] U.S. Cl. .... **D15/17**

[58] Field of Search ..... D12/82, 86, 88;  
D15/10, 14-17, 28; 56/202, 254, 255, 320.1,  
320.2; 296/186, 187, 901; 180/89.1, 89.12,  
900

[56] **References Cited**

**U.S. PATENT DOCUMENTS**

D. 256,018	7/1980	Stone .....	D15/28
D. 326,662	6/1992	Holm et al. ....	D15/17
D. 340,461	10/1993	Patterson et al. ....	D15/15

**OTHER PUBLICATIONS**

Deere & Co., "STX and LX Lawn Tractors", comprised of pages 1-8, see particularly p. 6, dated 1994, published in the U.S.A.

Deere & Co., "Lawn and Garden Tractors", comprised of pp. 1-8, see particularly p. 6 dated 1994, published in the U.S.A.

Toro Company, "Toro Reelmaster 216", pp. 1-4, see particularly p. 2, dated 1990, published in the U.S.A.

Cub Cadet Power Equipment, "Cub Cadet Power Equipment Garden Tractors", pp. 1-20, see particularly 4, 5, 9, 11, 13 and 15, dated 1991, published in the U.S.A.

Mitsubishi Agricultural Machinery Company, Ltd., "Mitsubishi MT300/MT300D, A New Dimension in Multi-Purpose Tractors", pp. 1-4, see particularly pp. 2 and 3, dated 1984, published in Japan.

*Primary Examiner*—Sandra L. Morris

[57] **CLAIM**

The ornamental design for a tractor instrument panel, as shown and described.

**DESCRIPTION**

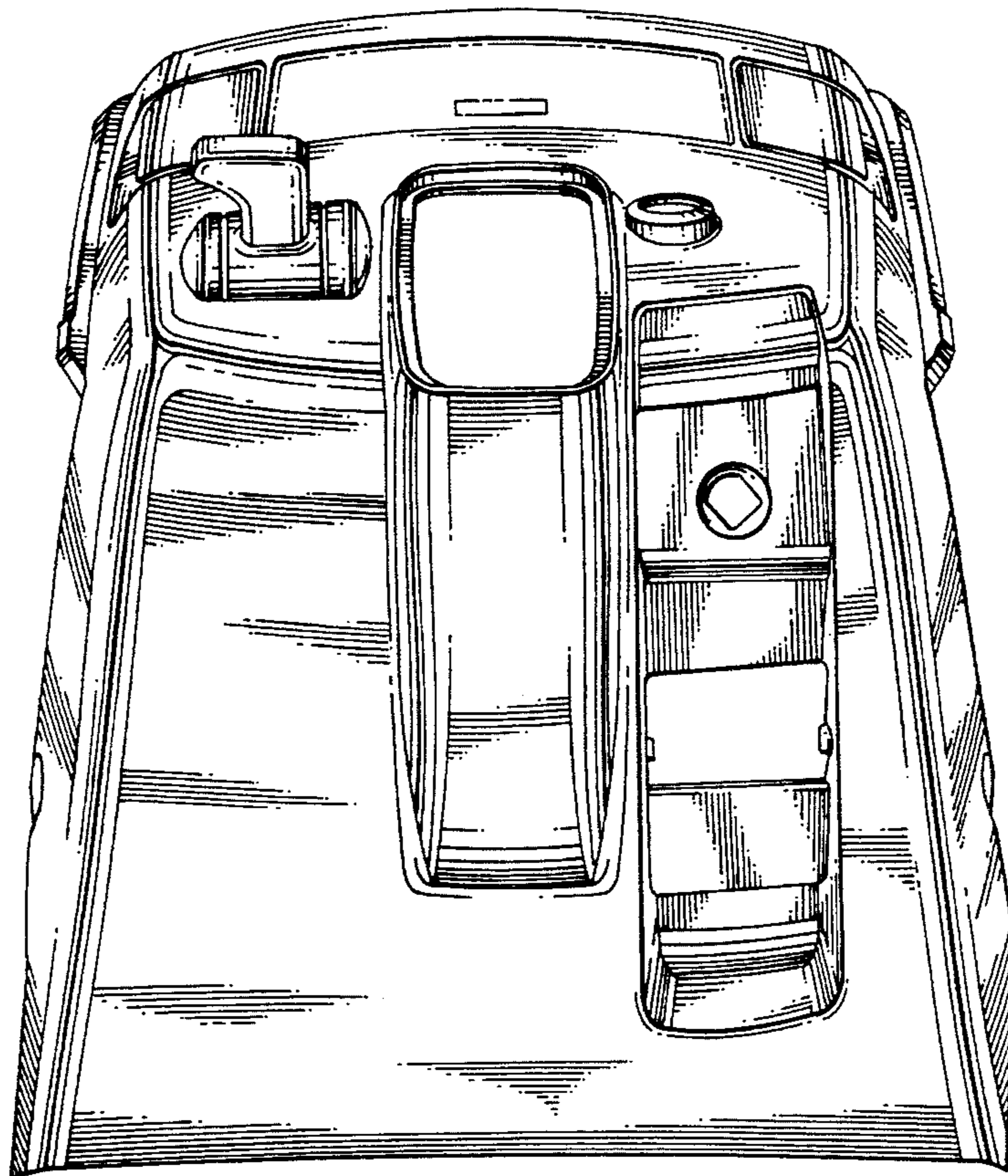
FIG. 1 is a front view of a tractor instrument panel, showing our new design, the broken lines being for illustrative purposes only and forming no part of the claimed design;

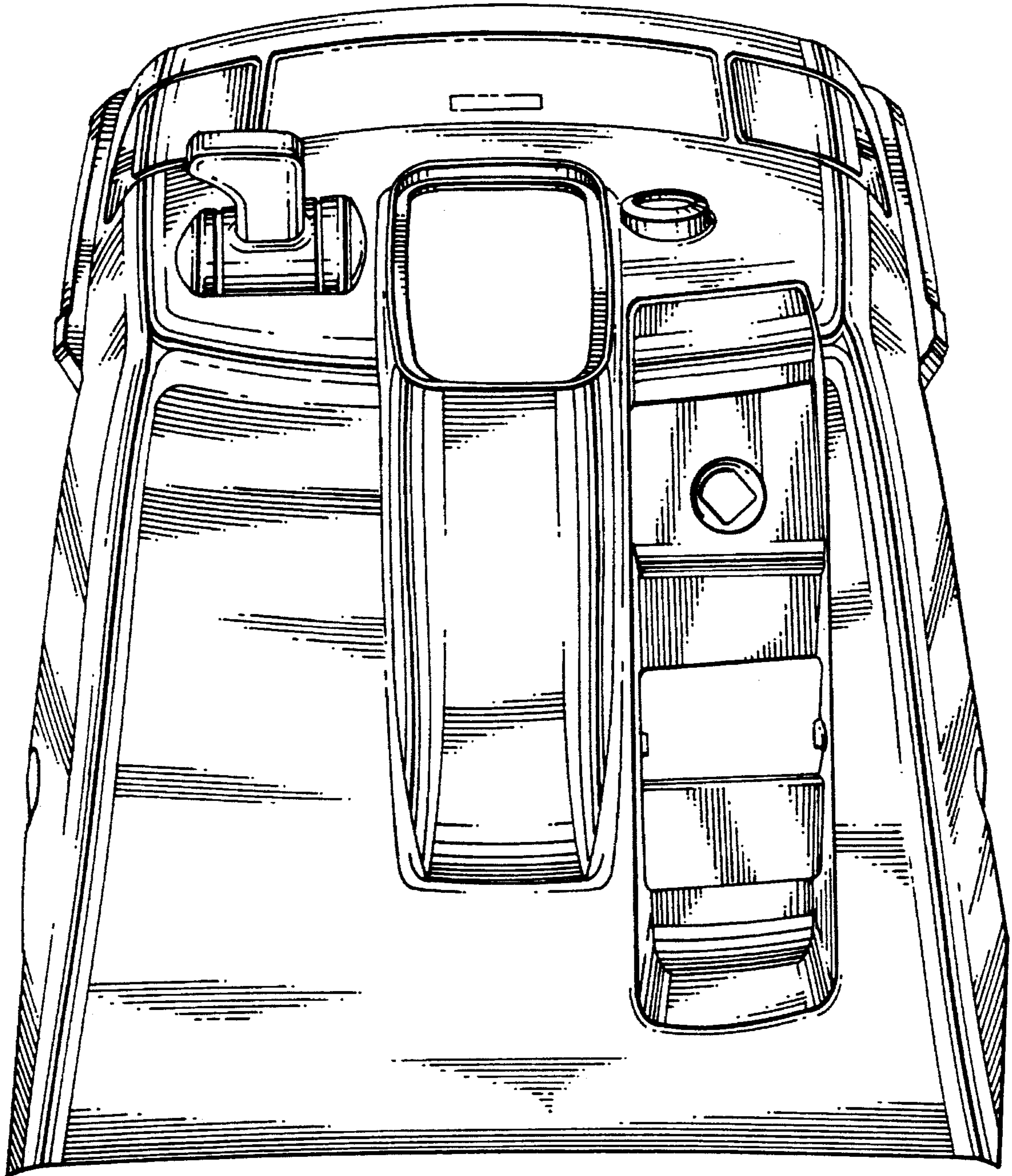
FIG. 2 is a top plan view thereof;

FIG. 3 is a left side view of our ornamental design for an instrument panel; and,

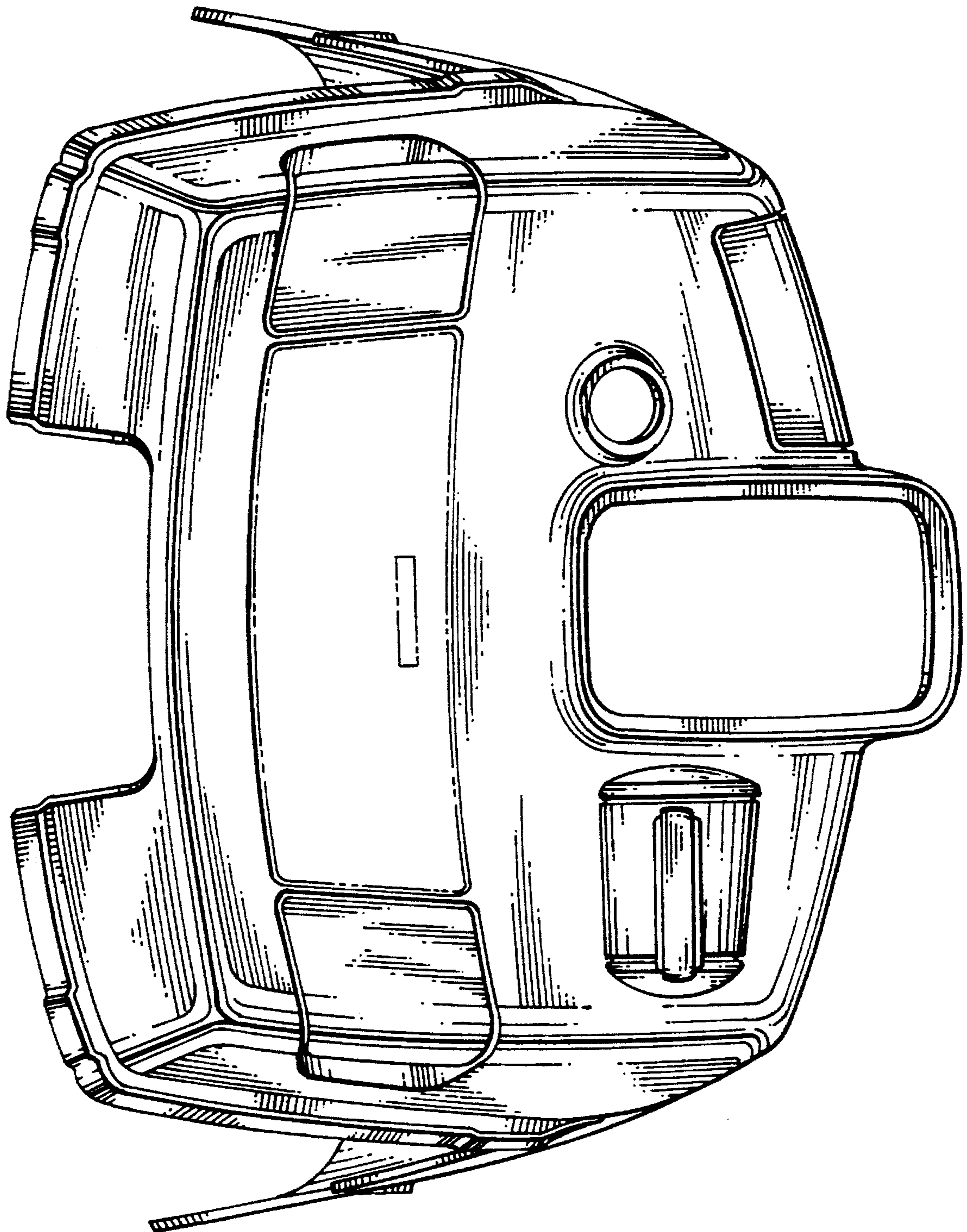
FIG. 4 is a right side view of our ornamental design for an instrument panel.

**1 Claim, 4 Drawing Sheets**



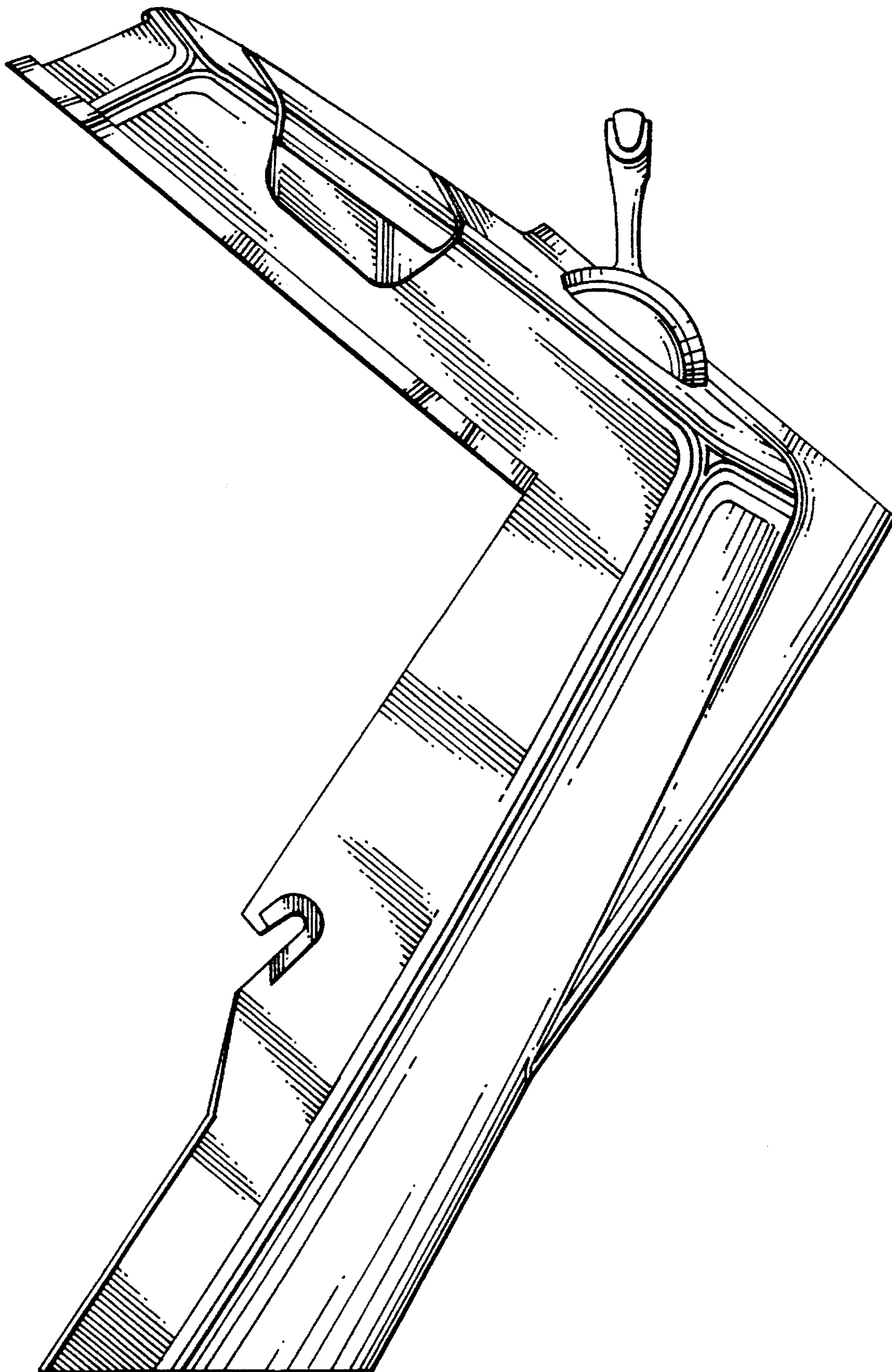


**Fig. 1**



**Fig. 2**

**Fig. 3**



**Fig. 4**

