



US00D365571S

United States Patent [19]
Willner

[11] **Patent Number: Des. 365,571**
[45] **Date of Patent: **Dec. 26, 1995**

[54] **LAWN MOWER VACUUM DEVICE**

4,843,805 7/1989 Satoh 56/16.6

[76] Inventor: **Brian Willner**, 1517 Bucklevel Rd.,
Greenwood, S.C. 29649

[**] Term: **14 Years**

[21] Appl. No.: **13,375**

[22] Filed: **Sep. 23, 1993**

[52] **U.S. Cl.** **D15/17**

[58] **Field of Search** D15/14-17, 28;
D32/31-33; 56/11.8, 12.9-13.1, 13.4, 202,
255, 320.1, 320.2; 30/276

[56] **References Cited**

U.S. PATENT DOCUMENTS

D. 261,655	11/1981	Pansini	D32/32
3,828,531	8/1974	Quick	56/12.9
3,940,827	3/1976	Greco	56/13.1
4,193,249	3/1980	Tackett	56/16.6
4,631,909	12/1986	McLane	56/16.6
4,730,444	3/1988	Leffel et al.	56/12.9
4,733,471	3/1988	Rahe	30/276

OTHER PUBLICATIONS

May/Jun. 1992 Fine Gardening, p. 15. Ryobi Sweeper.

Primary Examiner—Sandra L. Morris
Attorney, Agent, or Firm—Terry M. Gernstein

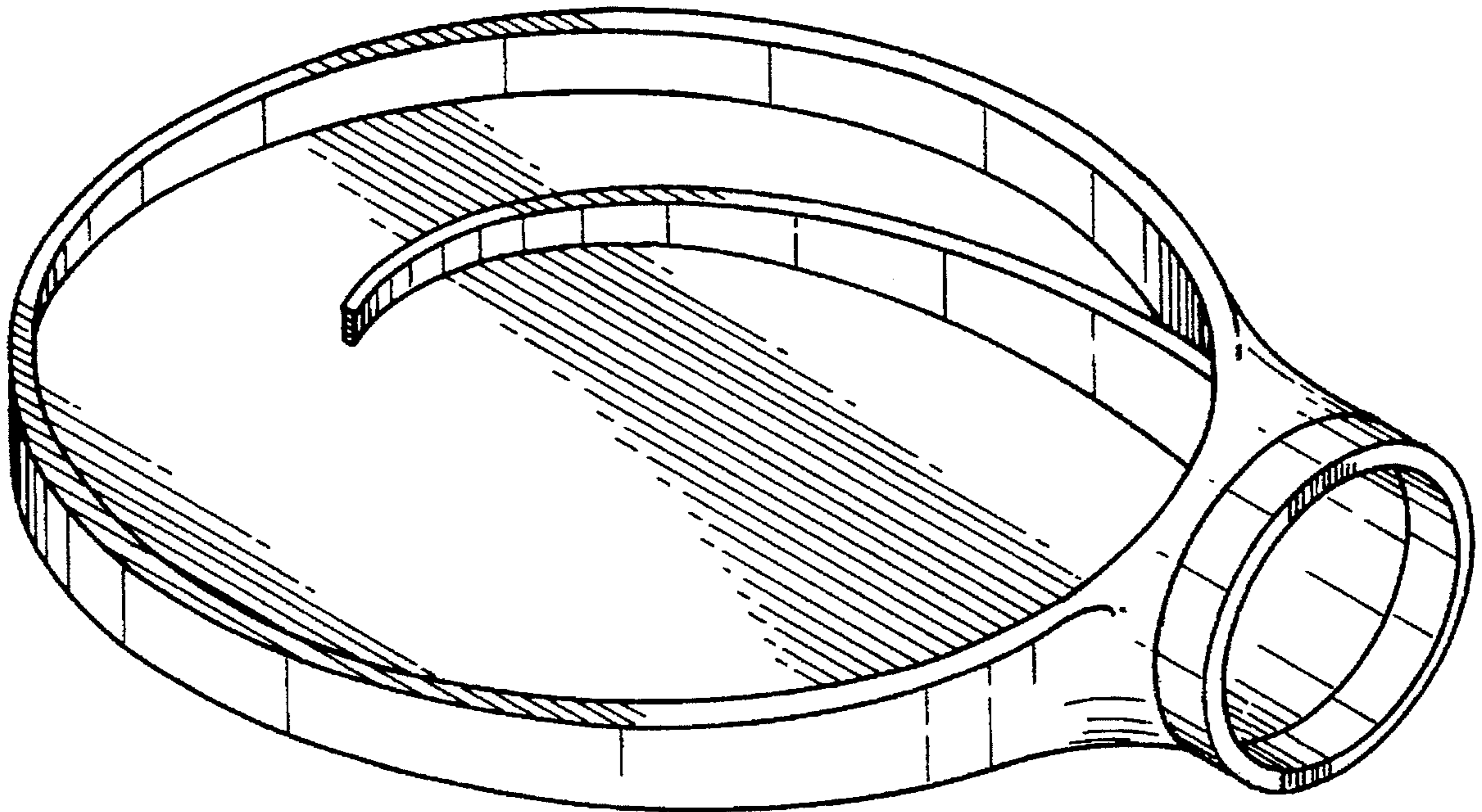
[57] **CLAIM**

The ornamental design for a lawn mower vacuum device, as shown and described.

DESCRIPTION

FIG. 1 is a front, top and side perspective view of the lawn mover vacuum device showing my new design;
FIG. 2 is a front elevational view thereof;
FIG. 3 is a rear elevational view thereof;
FIG. 4 is a left side elevational view thereof;
FIG. 5 is a right side elevational view thereof;
FIG. 6 is a top plan view thereof; and,
FIG. 7 is a bottom plan view thereof.

1 Claim, 4 Drawing Sheets



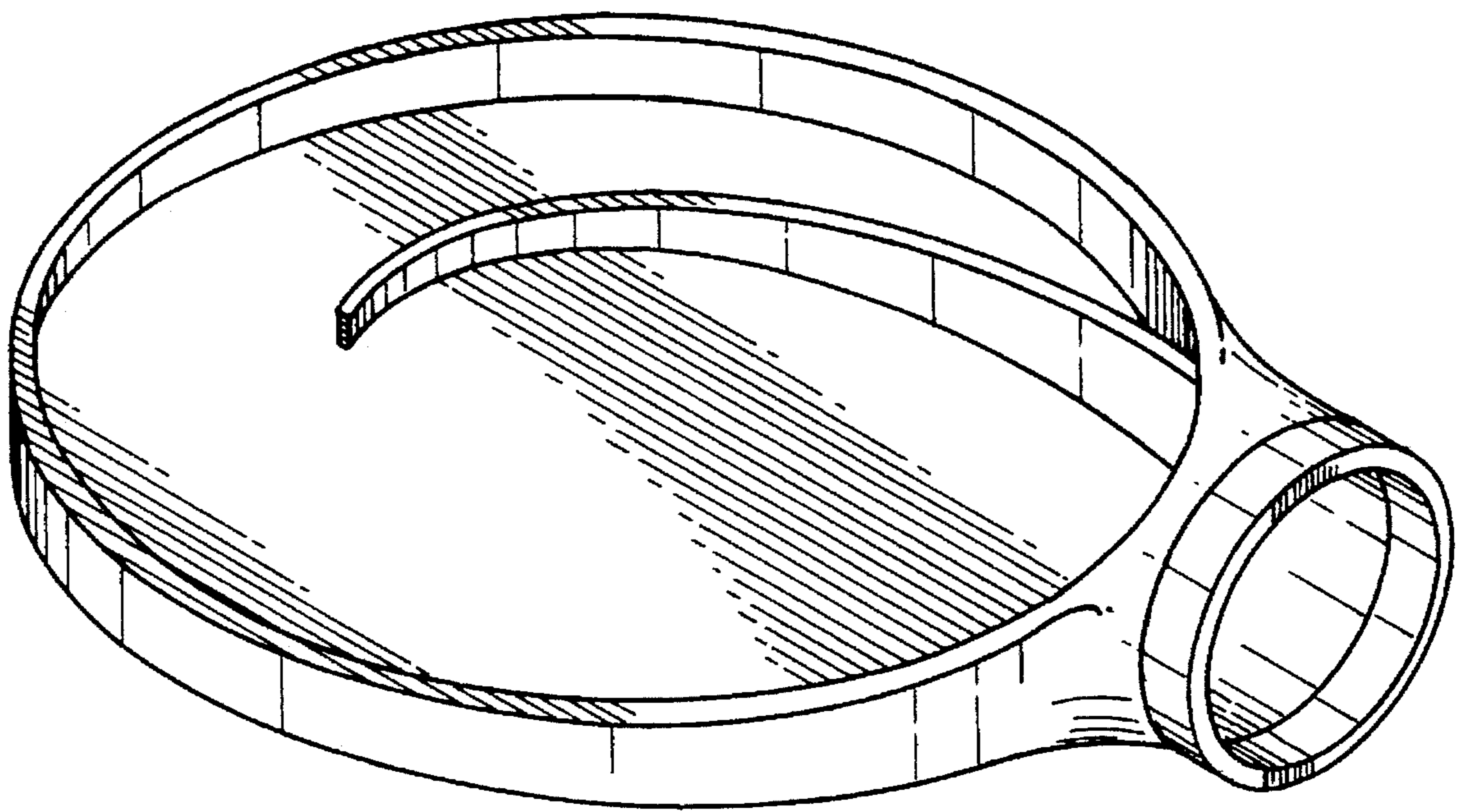


FIG. 1

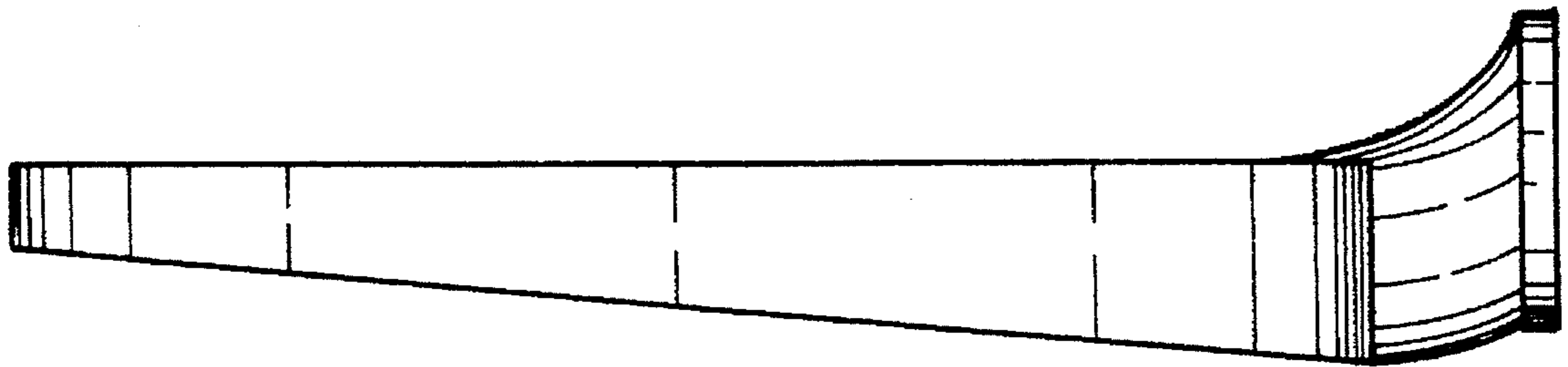


FIG. 2

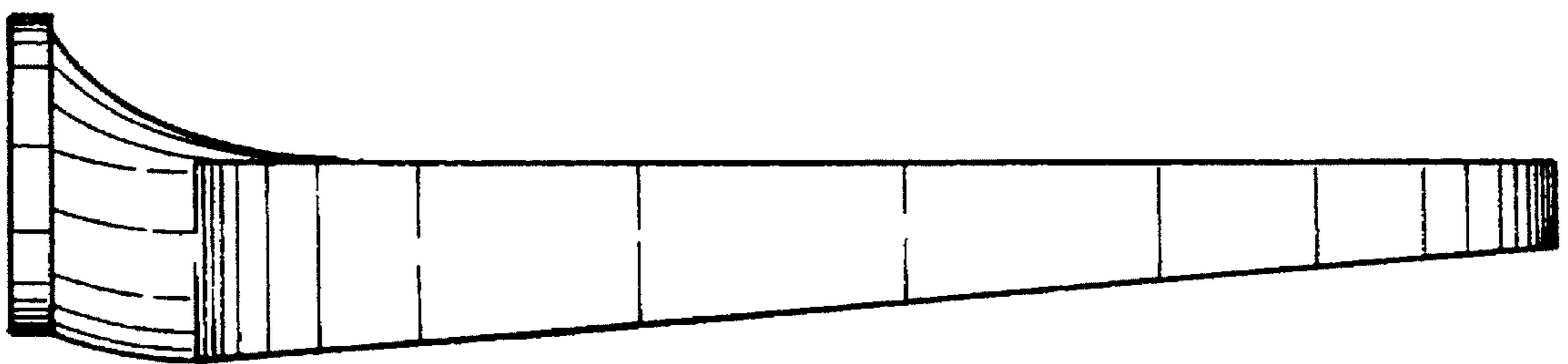


FIG. 3

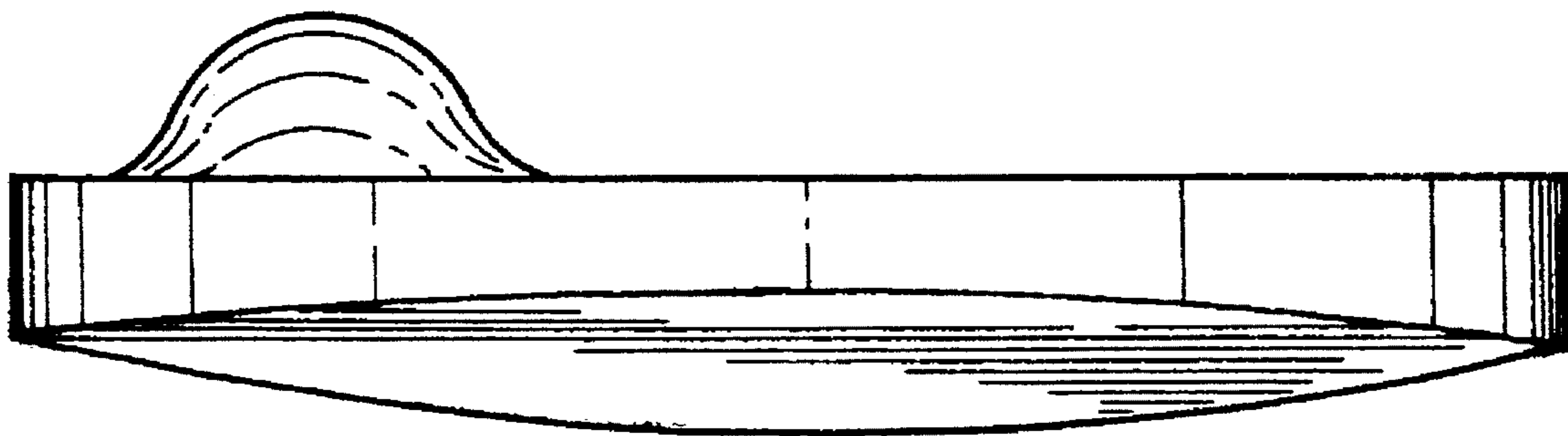


FIG. 4

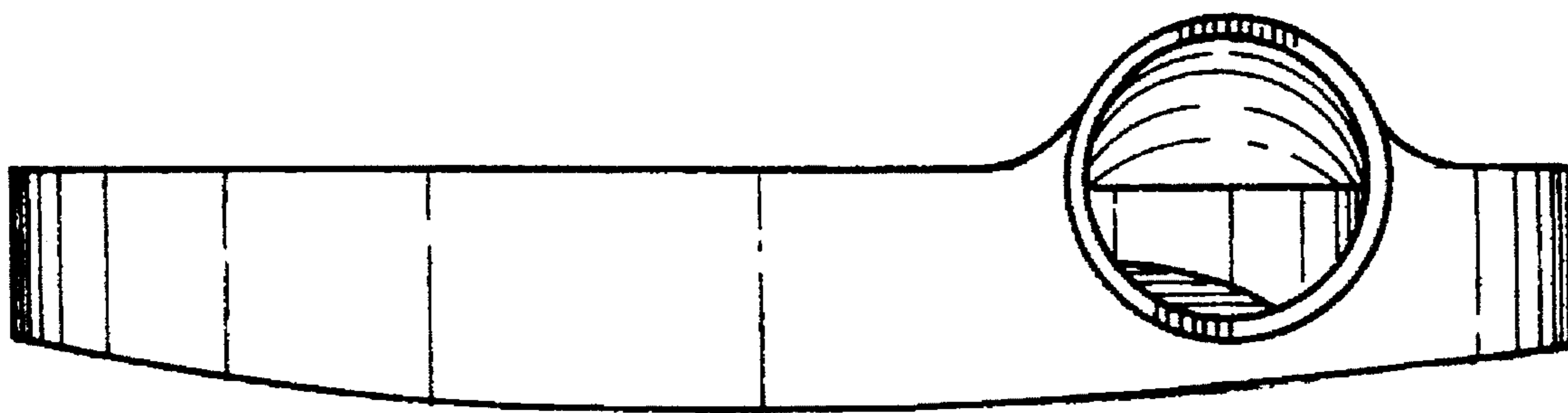


FIG. 5

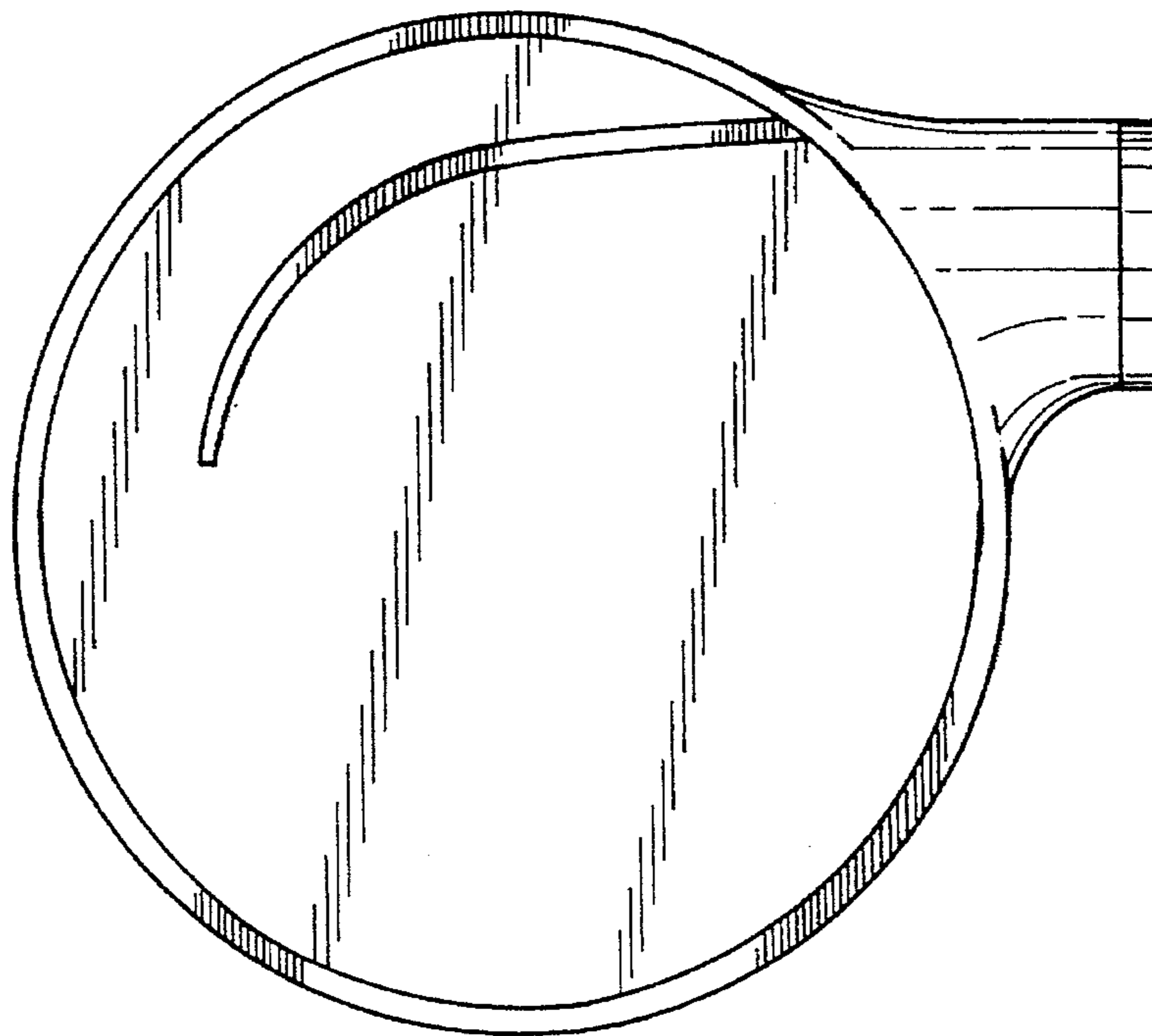


FIG. 6

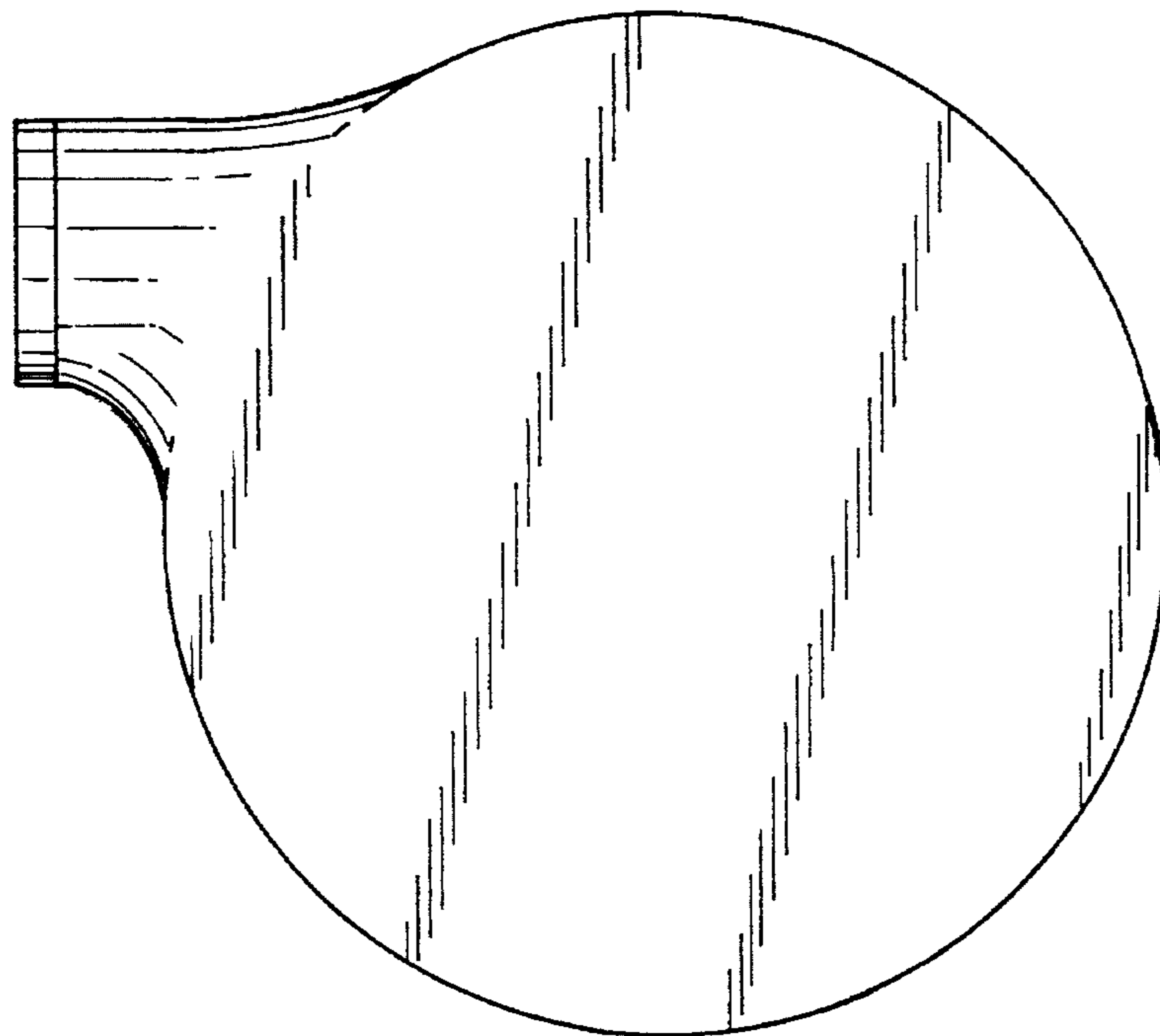


FIG. 7