



US00D365570S

United States Patent [19]
Danford

[11] **Patent Number: Des. 365,570**
[45] **Date of Patent: **Dec. 26, 1995**

[54] **PINE CONE COLLECTOR**

FOREIGN PATENT DOCUMENTS

[76] Inventor: **Woodard H. Danford**, 4690 Shaw Hwy., Rocky Point, N.C. 28457

4020991 1/1991 Germany 294/19.2

[**] Term: **14 Years**

Primary Examiner—Sandra L. Morris

[21] Appl. No.: **24,637**

[57] **CLAIM**

[22] Filed: **Jun. 17, 1994**

The ornamental design for a pine cone collector, as shown and described.

[52] U.S. Cl. **D15/10**

DESCRIPTION

[58] Field of Search D15/10; 56/327.1, 56/328.1; 294/19.2

FIG. 1 is a front elevational view of the pine cone collector showing my new design;

FIG. 2 is a rear elevational view thereof;

FIG. 3 is a left side elevational view thereof;

FIG. 4 is a right side elevational view thereof;

FIG. 5 is a top plan view thereof;

FIG. 6 is a bottom plan view thereof; and,

FIG. 7 is a perspective illustration thereof.

[56] **References Cited**

U.S. PATENT DOCUMENTS

D. 323,831	2/1992	Hollis	D15/10
3,485,398	12/1969	Offner	56/328.1
3,744,225	7/1973	Reeves	56/328.1
3,748,838	7/1973	Woodfill	294/19.2
4,318,654	3/1982	Lee	294/19.2
5,025,620	6/1991	Dudley	56/328.1

1 Claim, 4 Drawing Sheets

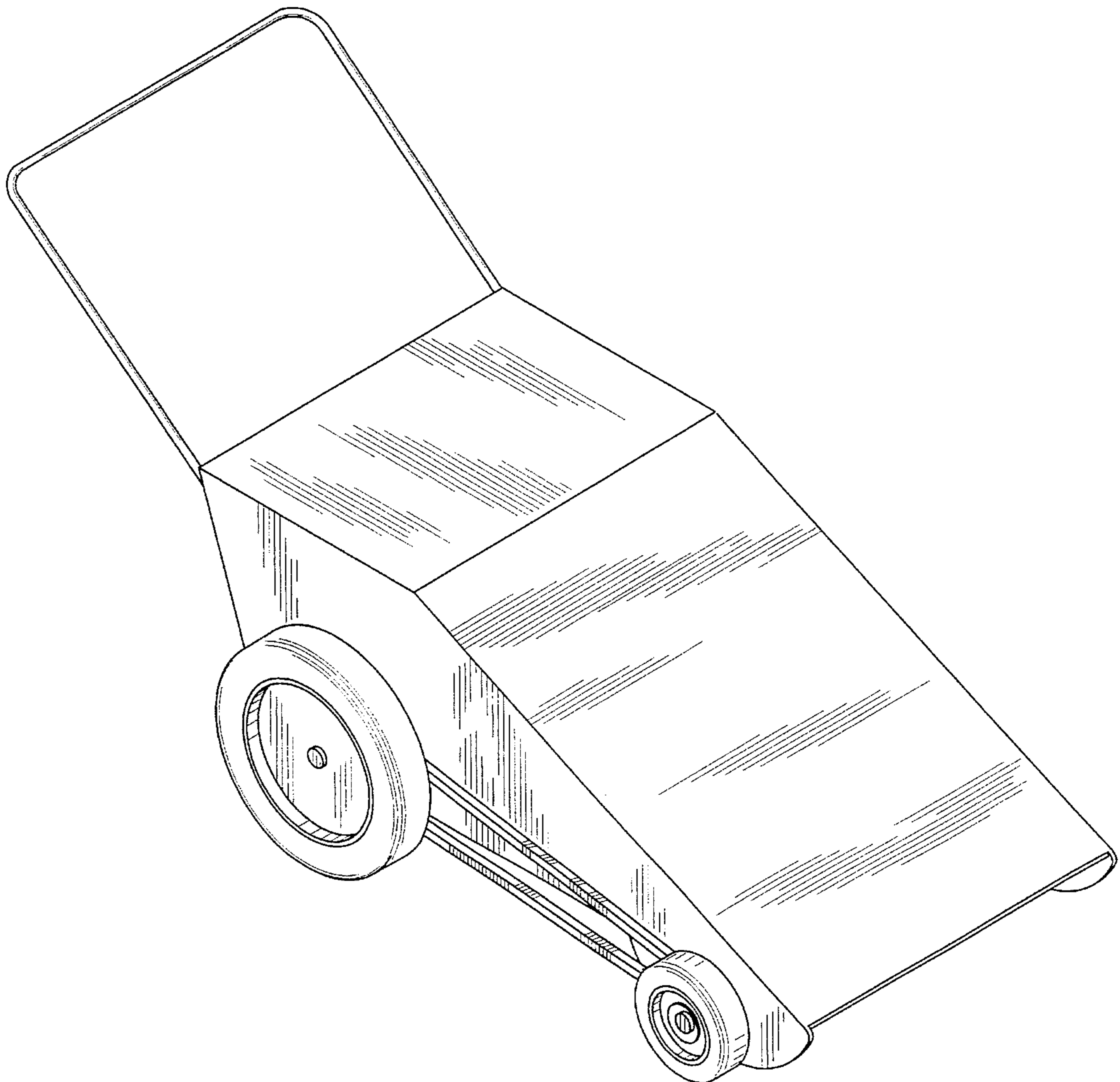


FIG. 1

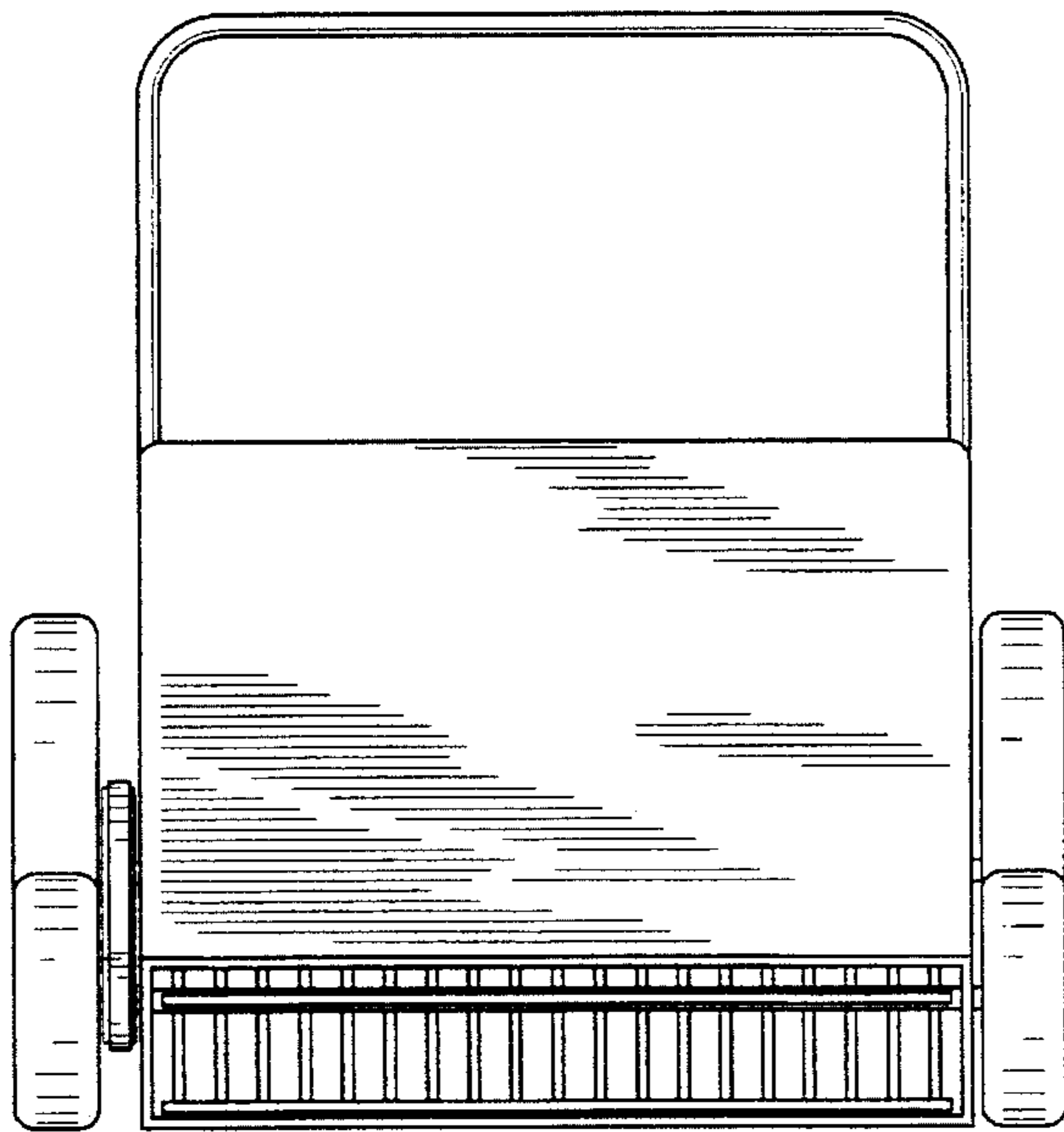


FIG. 2

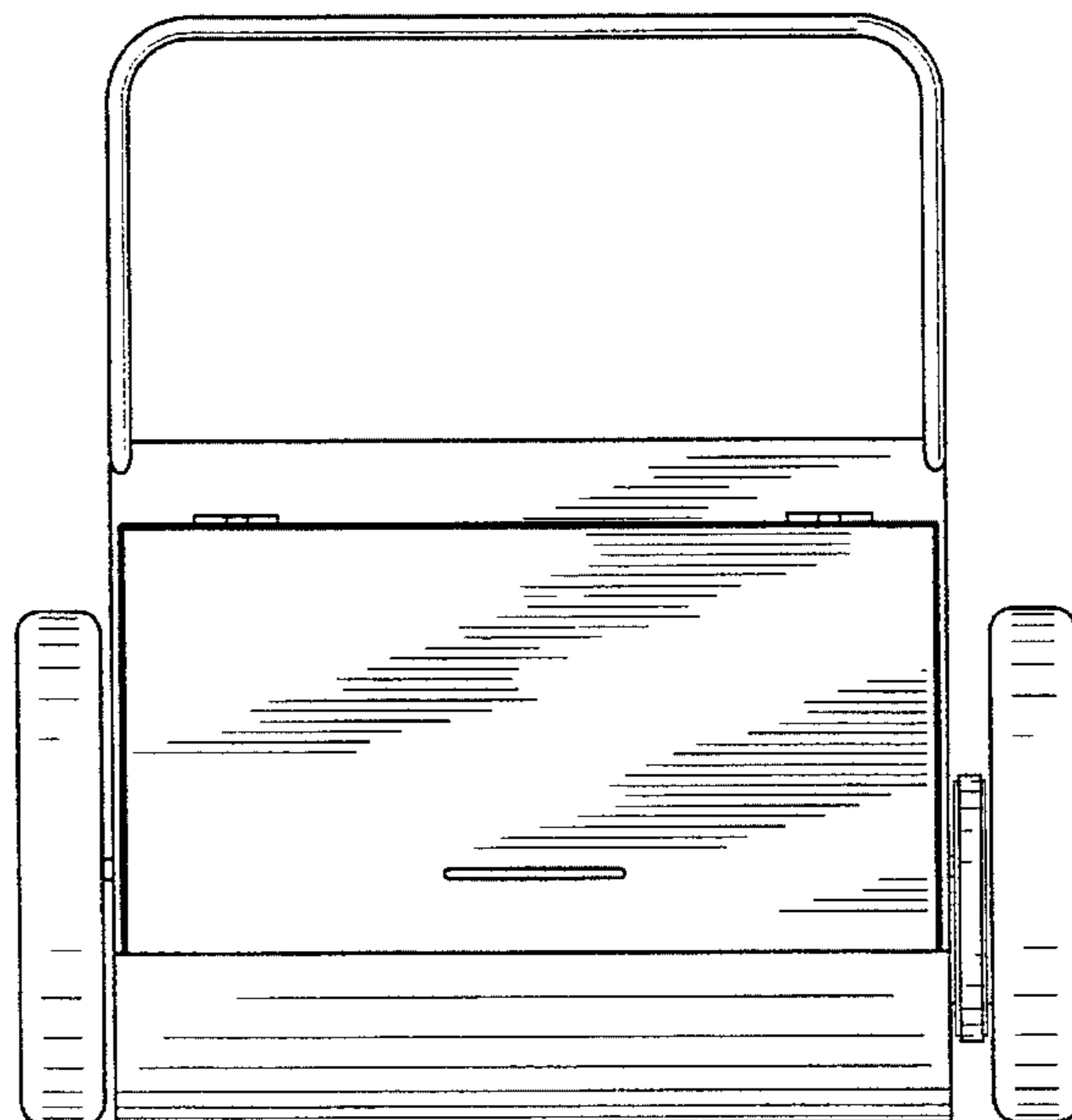


FIG. 3

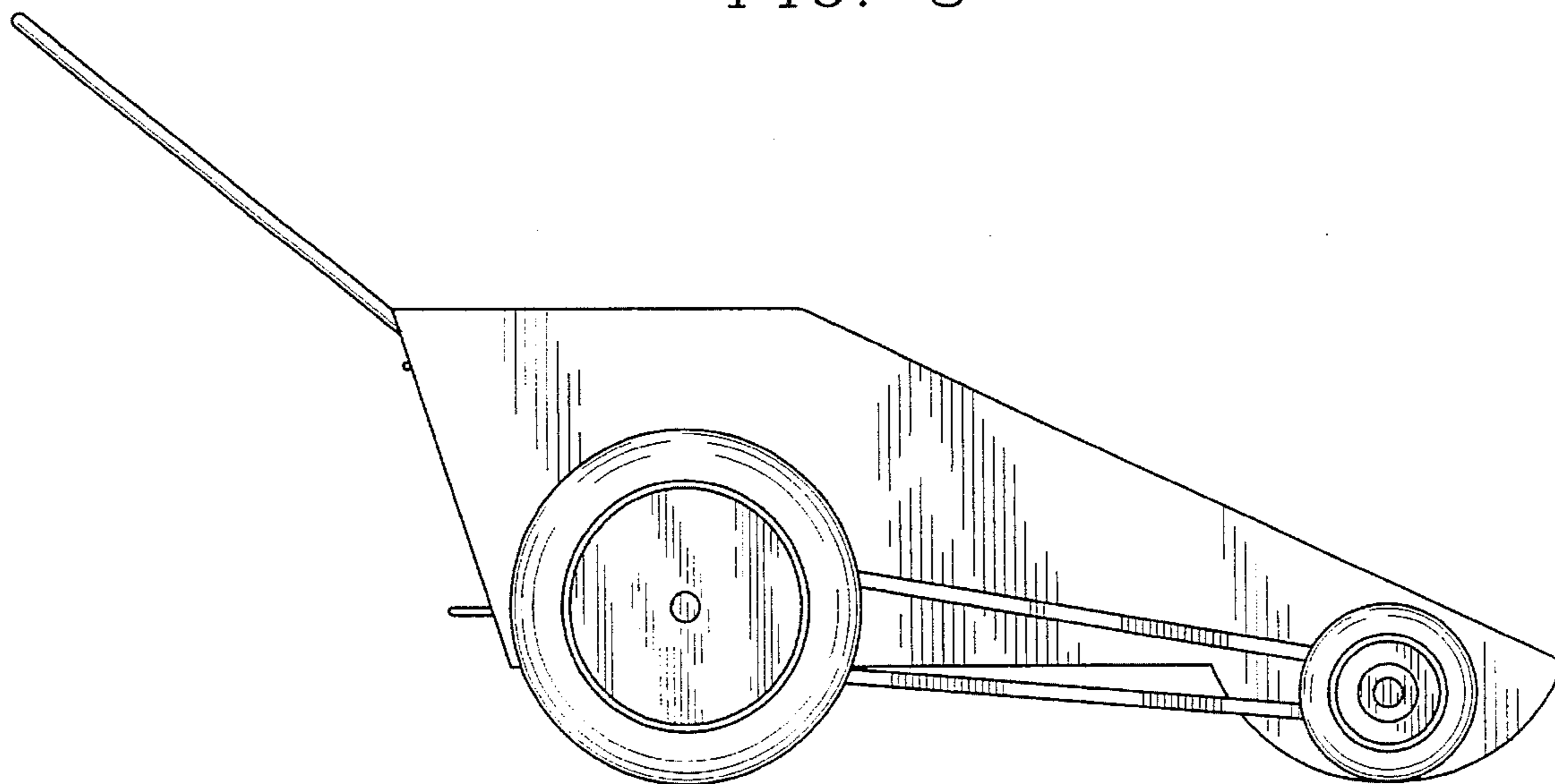


FIG. 4

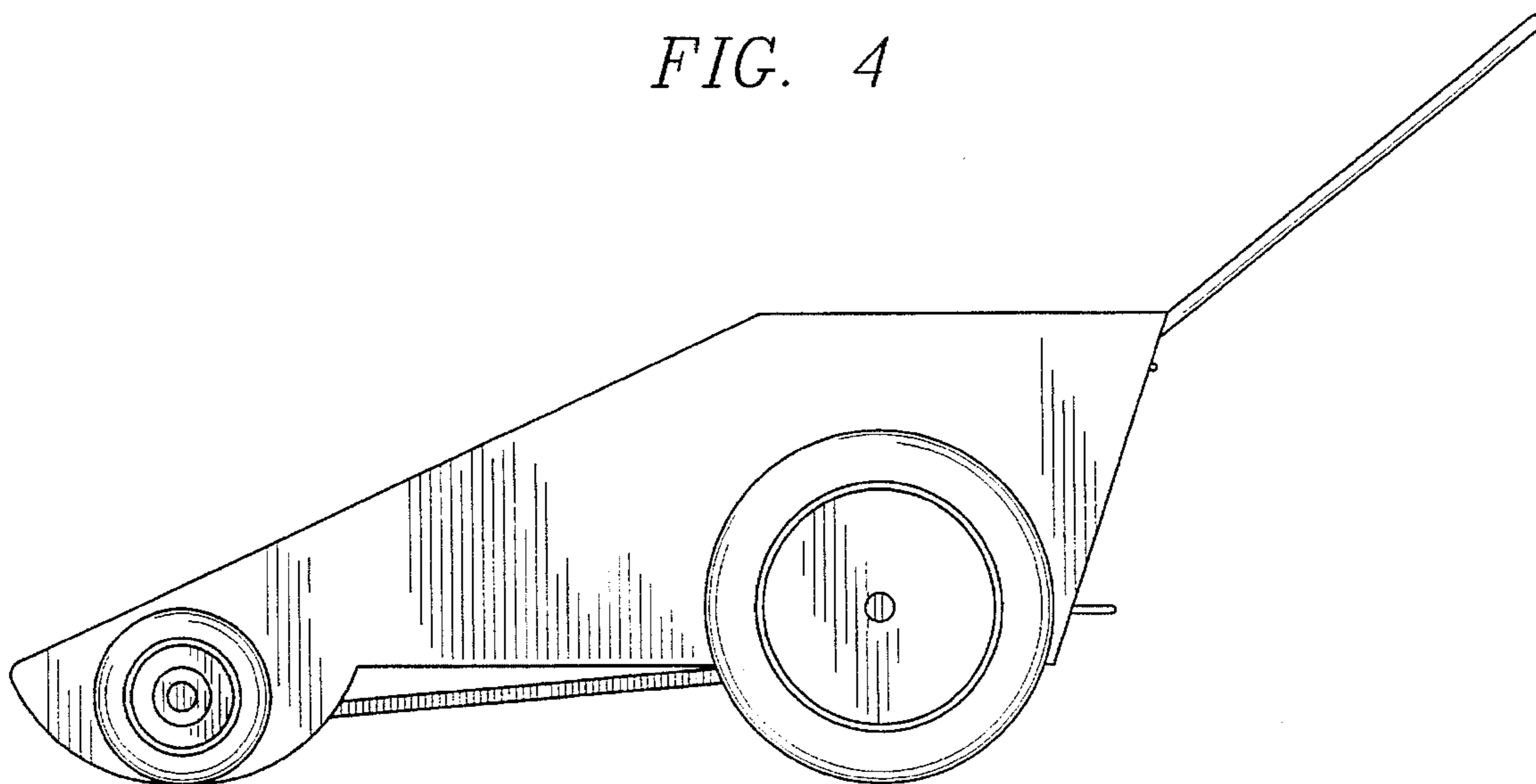


FIG. 5

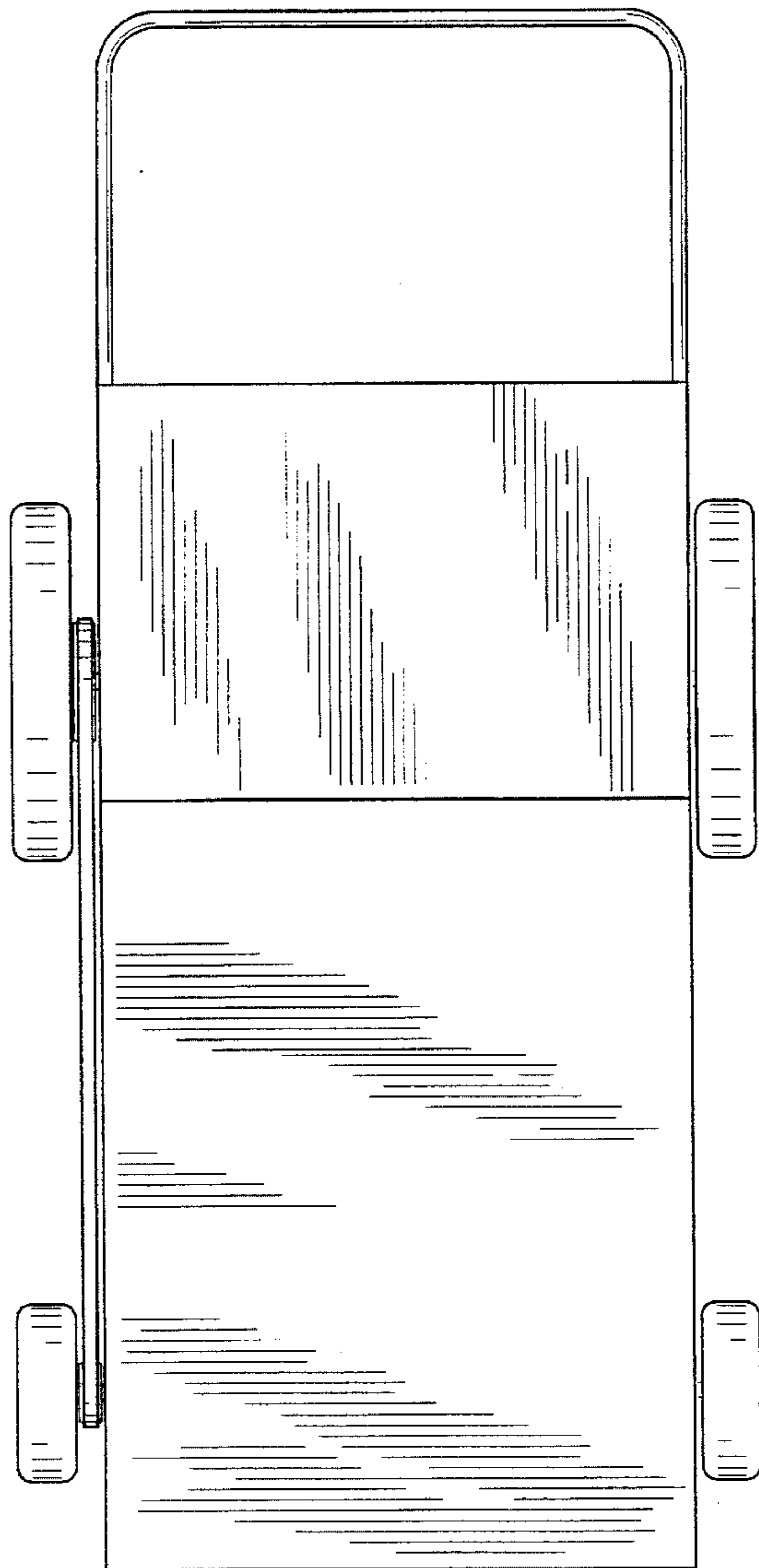


FIG. 6

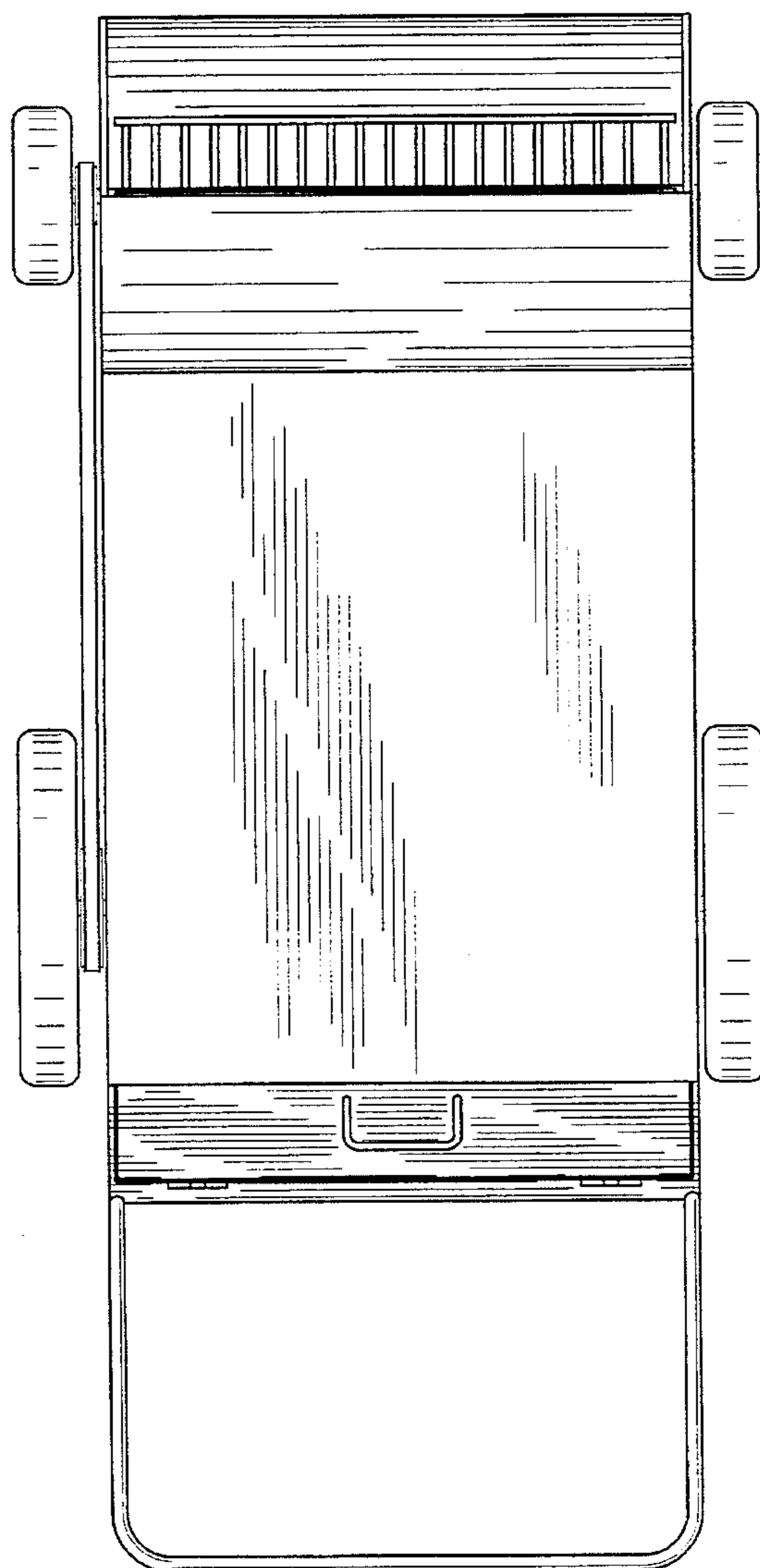


FIG. 7

