



US00D365569S

United States Patent [19]
Kieffer

[11] **Patent Number: Des. 365,569**

[45] **Date of Patent: **Dec. 26, 1995**

[54] **COMMERCIAL TURBINE HOUSING**

[75] Inventor: **Joseph W. Kieffer**, Rogers, Minn.

[73] Assignee: **Wagner Spray Tech Corporation**,
Minneapolis, Minn.

[**] Term: **14 Years**

[21] Appl. No.: **30,730**

[22] Filed: **Nov. 9, 1994**

[52] U.S. Cl. **D15/7**

[58] Field of Search D15/7-9; 417/415,
417/419

[56] **References Cited**

U.S. PATENT DOCUMENTS

D. 270,733	9/1983	Davis	D15/9
D. 274,433	6/1984	Boller	D15/7
D. 328,465	8/1992	Schwarz et al.	D15/9
D. 340,458	10/1993	Wang	D15/7
D. 354,753	1/1995	Turner, III et al.	D15/7

Primary Examiner—Ralf Seifert
Attorney, Agent, or Firm—Faegre & Benson

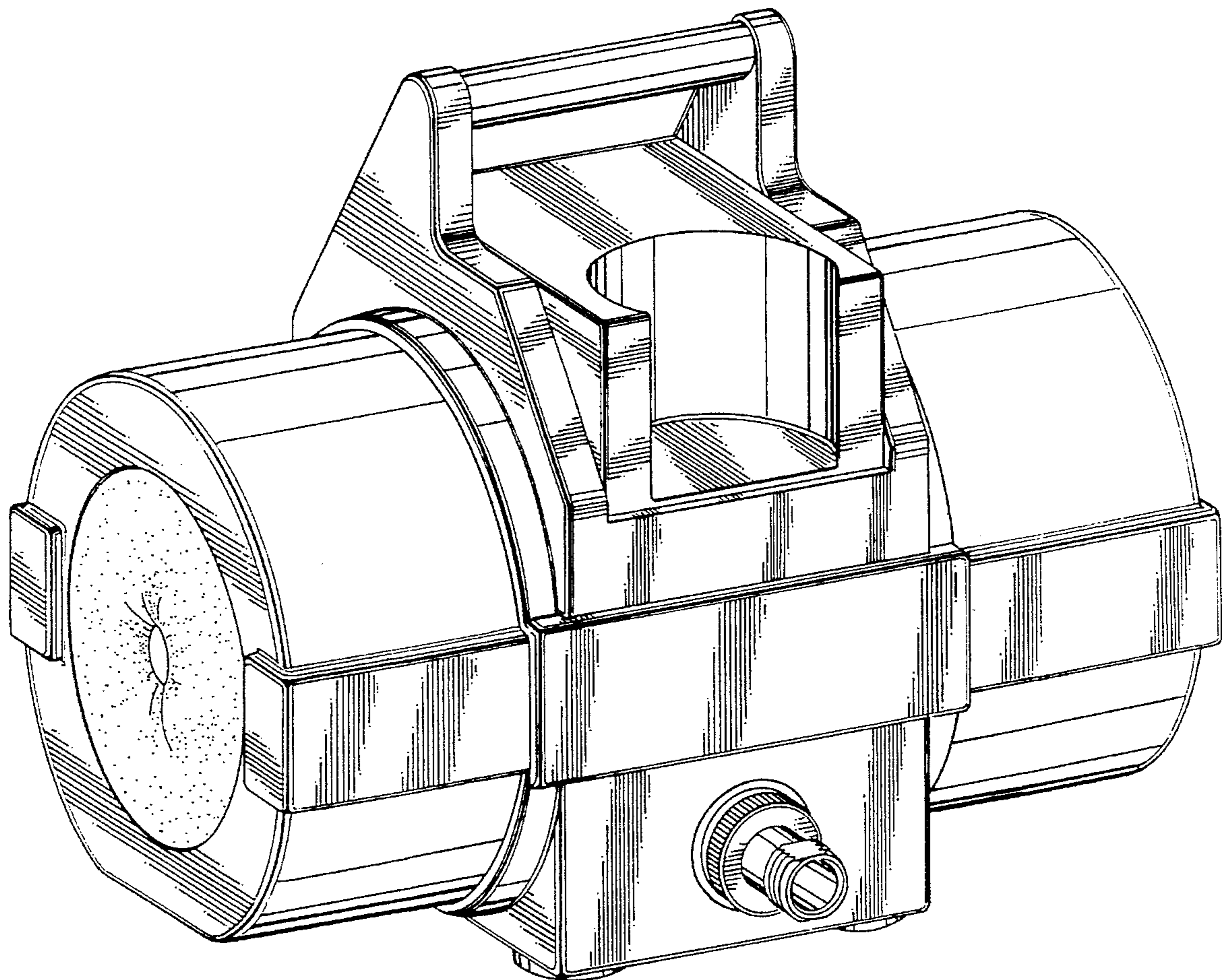
[57] **CLAIM**

The ornamental design for a commercial turbine housing, as shown.

DESCRIPTION

FIG. 1 is a perspective view of the commercial turbine housing of the present invention;
FIG. 2 is a rear elevation view of the housing of the present invention;
FIG. 3 is a front elevation view of the housing of the present invention;
FIG. 4 is a top view of the housing of the present invention;
FIG. 5 is a first end elevation view of the housing of the present invention;
FIG. 6 is a second end elevation view of the housing of the present invention; and,
FIG. 7 is a bottom view of the housing of the present invention.

1 Claim, 6 Drawing Sheets



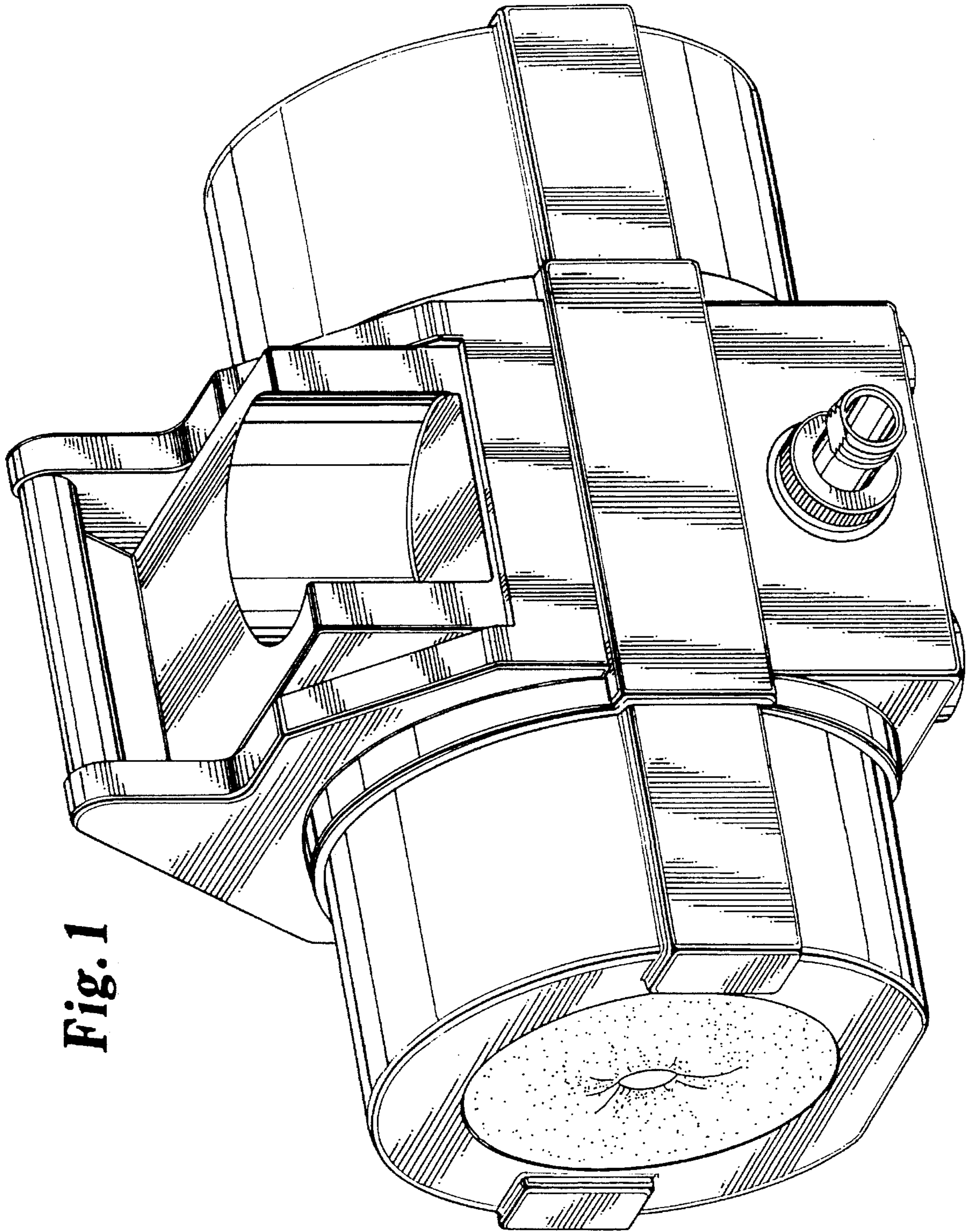


Fig. 1

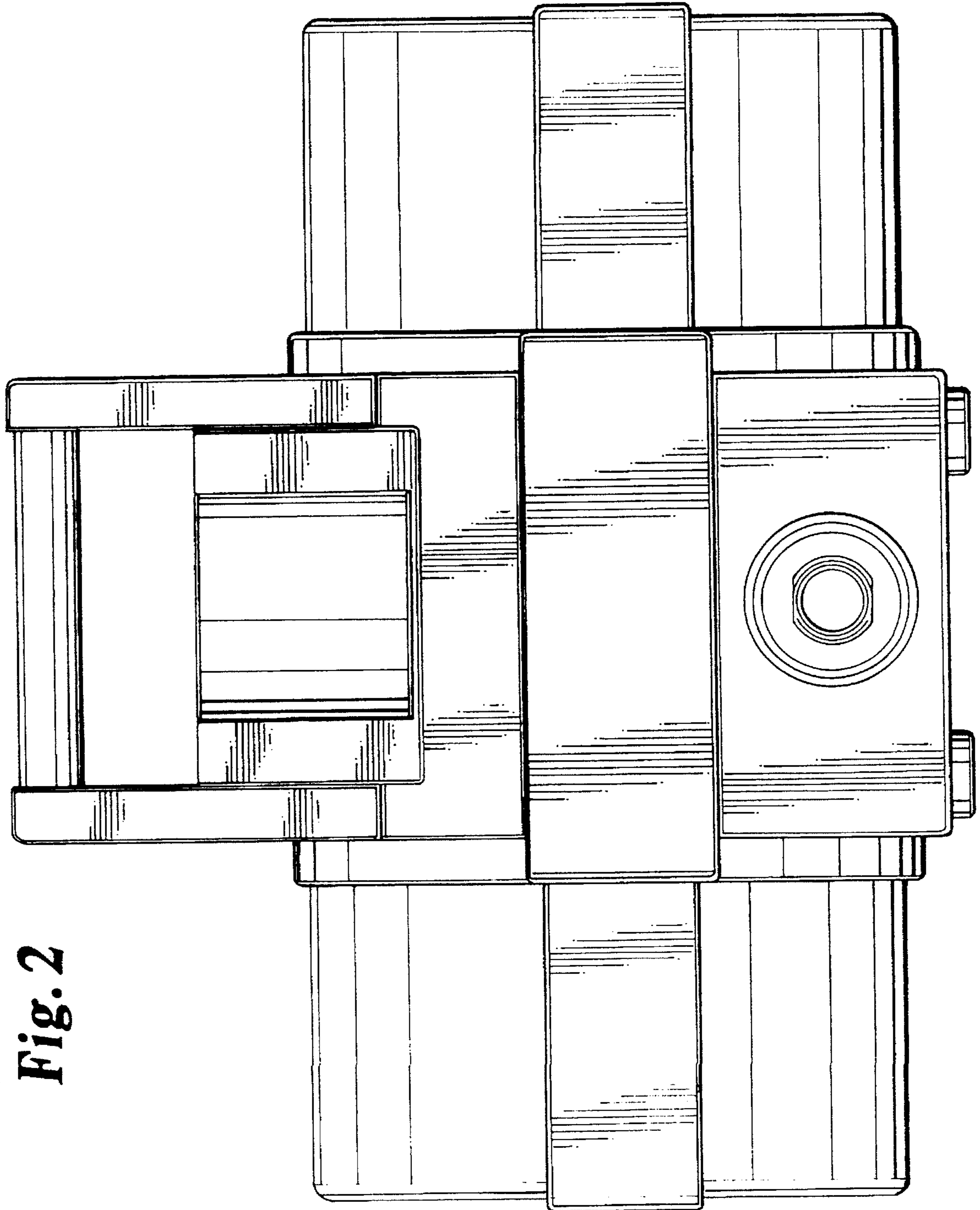


Fig. 2

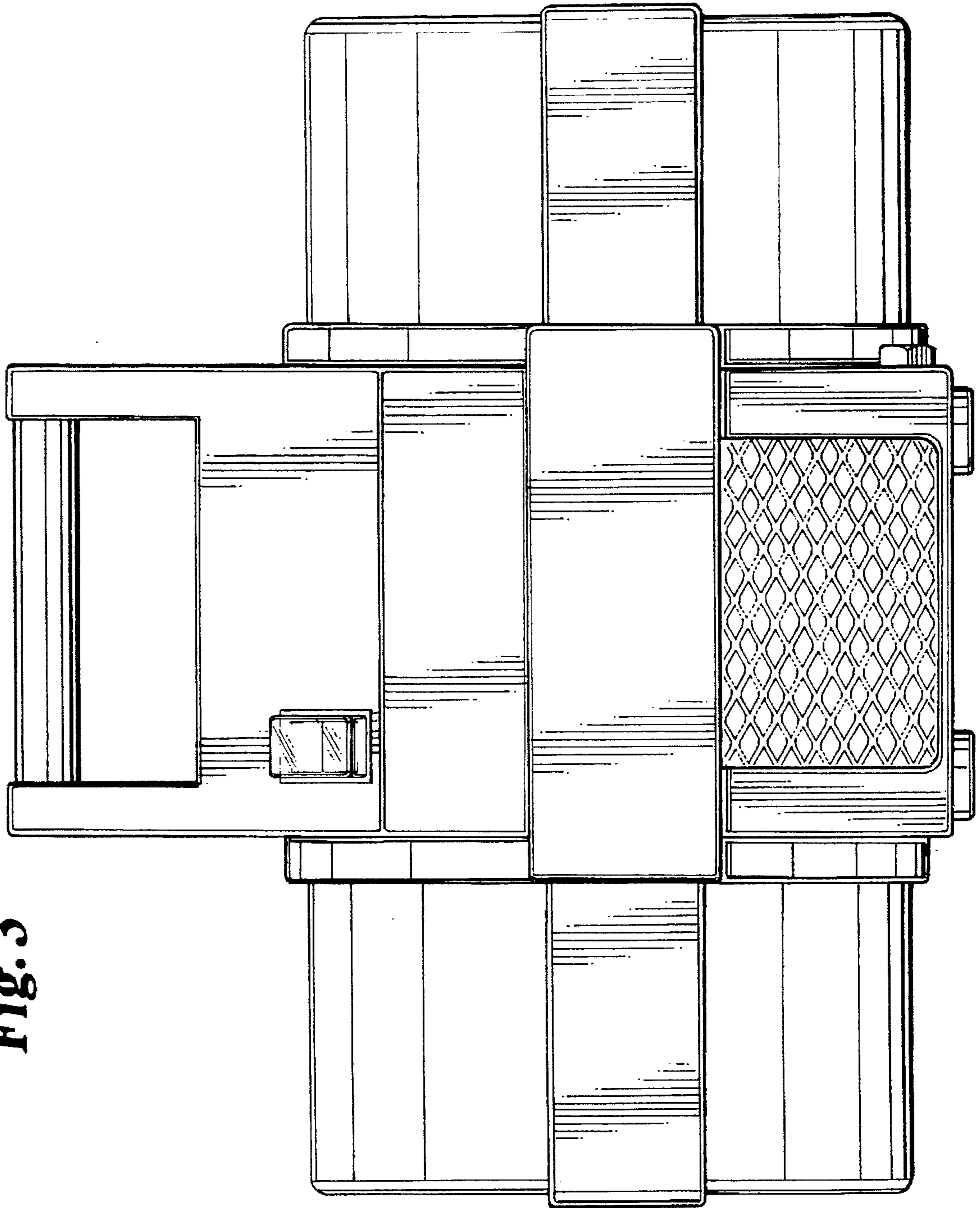
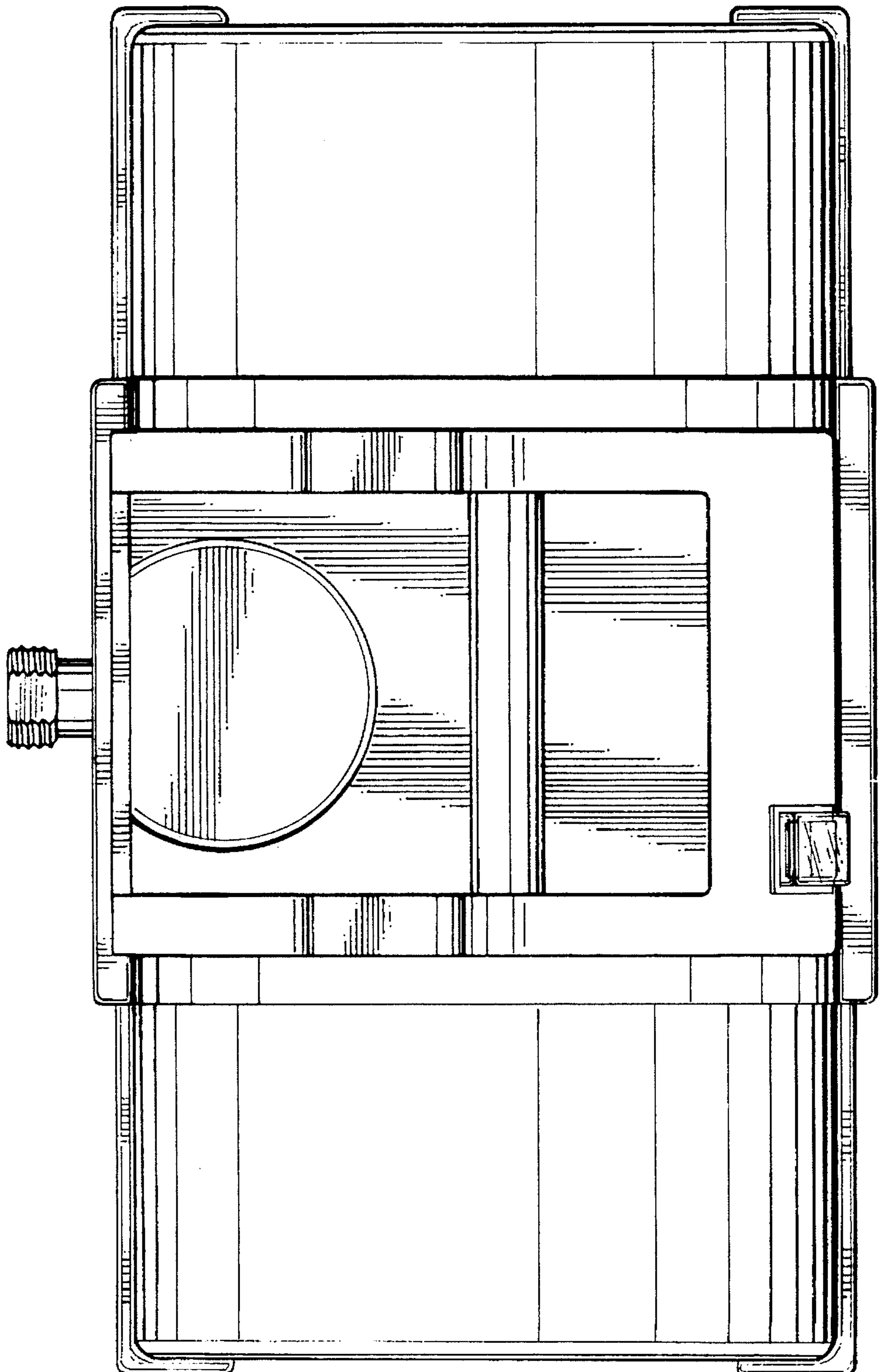


Fig. 3

Fig. 4



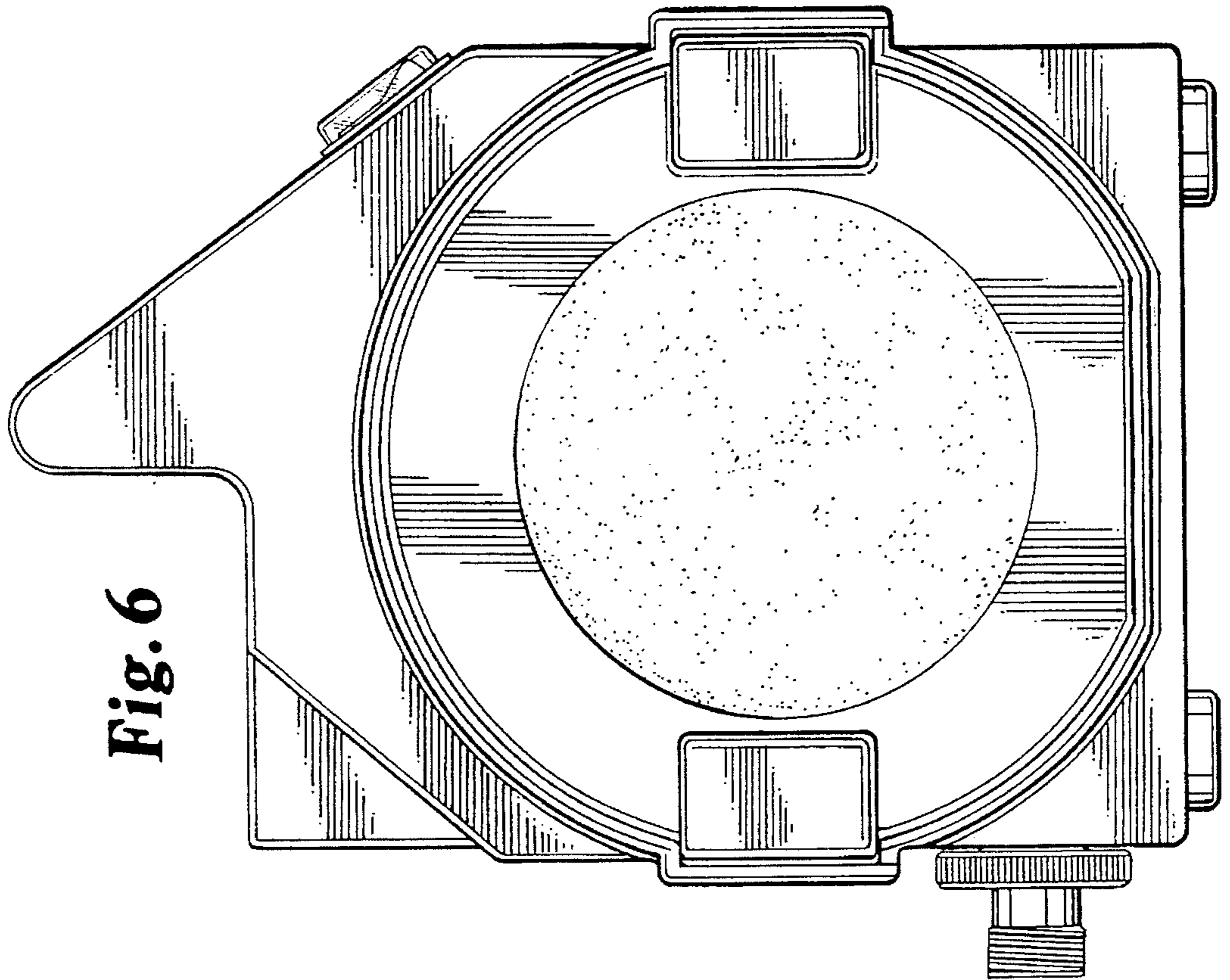


Fig. 6

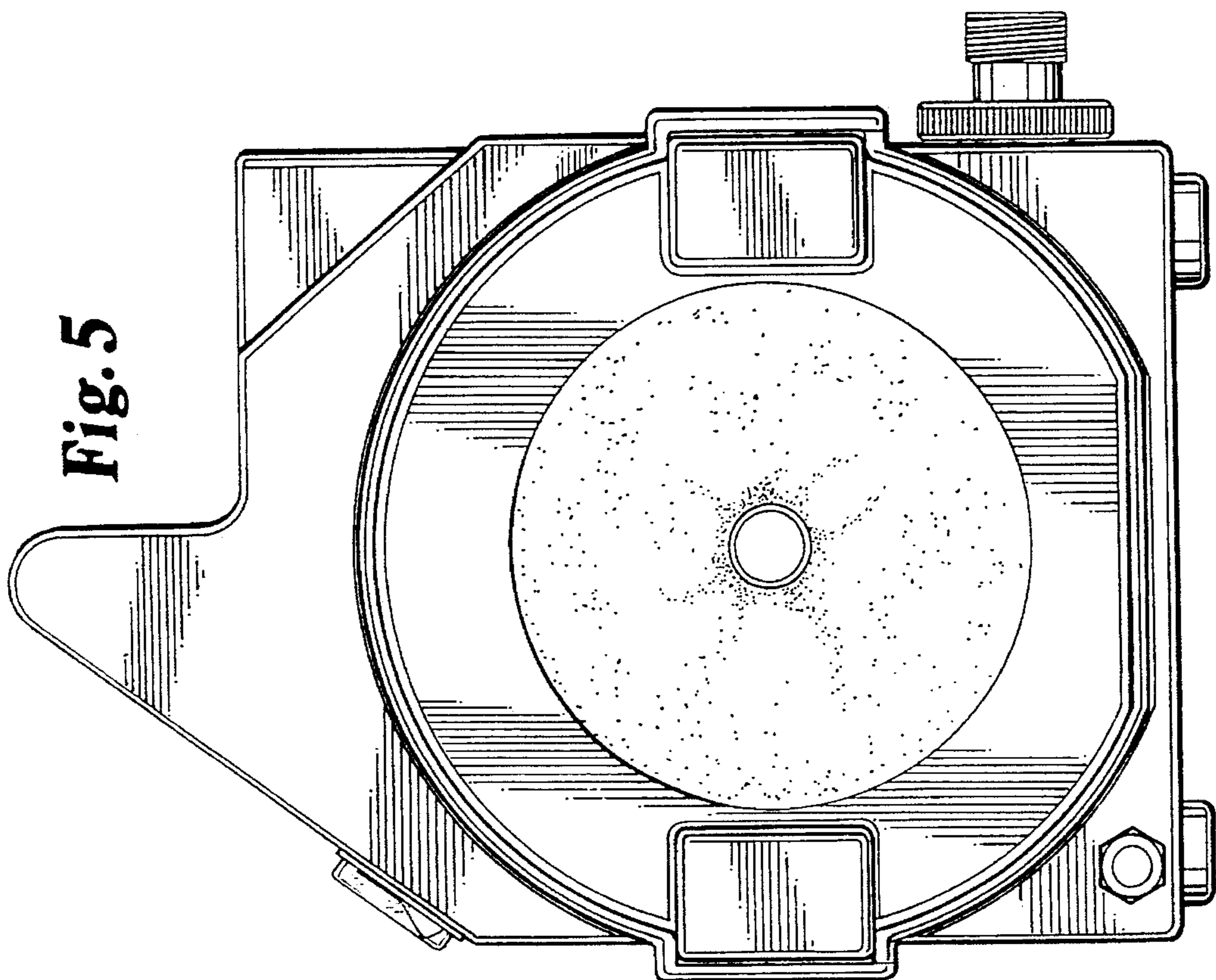


Fig. 5

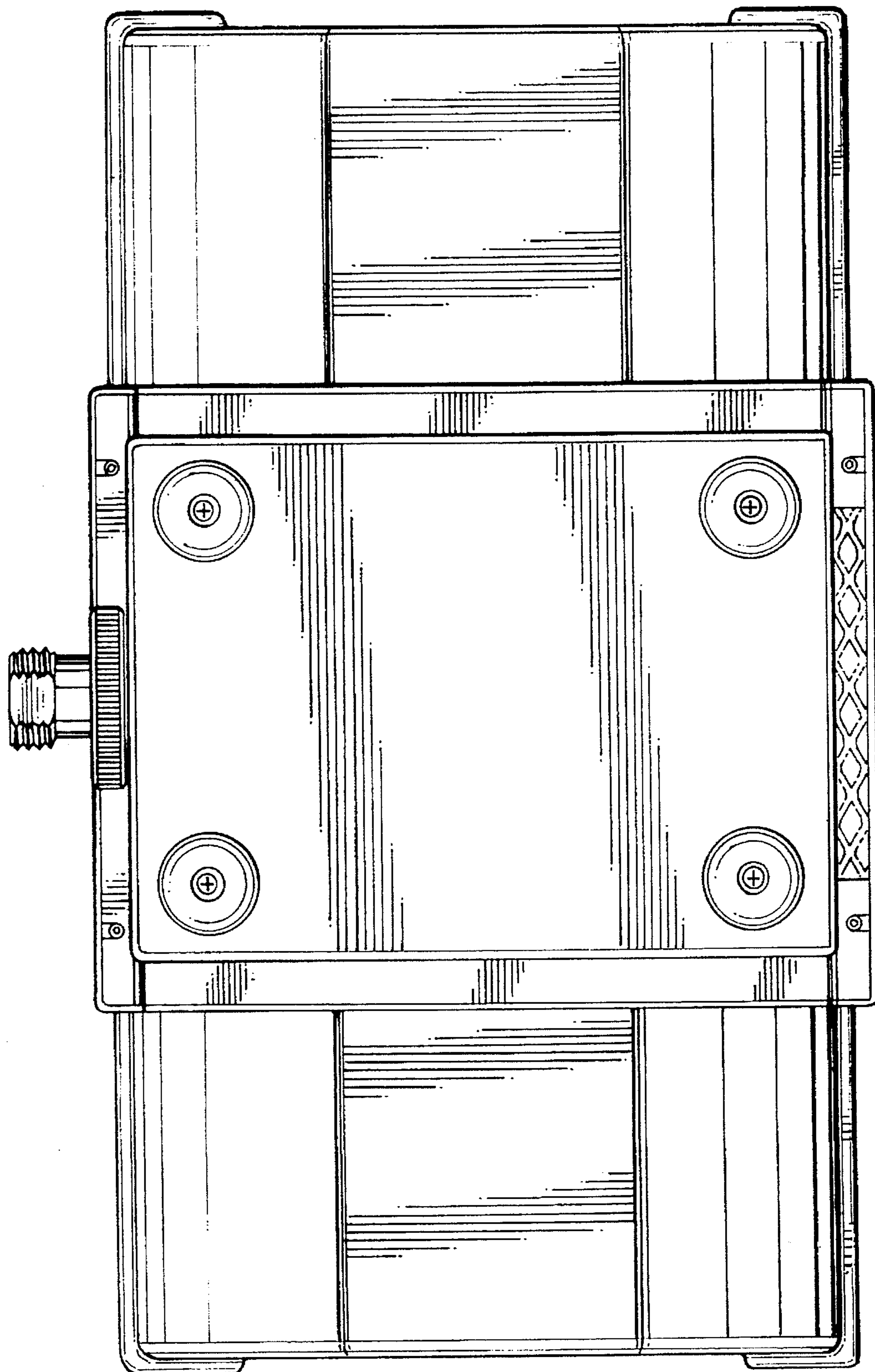


Fig. 7