



US00D365568S

United States Patent [19]
Tokiyama

[11] **Patent Number:** **Des. 365,568**
[45] **Date of Patent:** ****Dec. 26, 1995**

[54] **CONTROL HEAD FOR A MOBILE RADIO**

[75] Inventor: **Masaru Tokiyama**, Coral Springs, Fla.

[73] Assignee: **Motorola, Inc.**, Schaumburg, Ill.

[**] Term: **14 Years**

[21] Appl. No.: **30,498**

[22] Filed: **Oct. 31, 1994**

Related U.S. Application Data

[62] Division of Ser. No. 6,029, Mar. 18, 1993.

[52] U.S. Cl. **D14/258**

[58] **Field of Search** D14/124, 137,
D14/157, 217, 257, 258, 299; 455/73, 89-90,
128, 345-347

[56] **References Cited**

U.S. PATENT DOCUMENTS

D. 254,065 1/1980 Ohta et al. D14/157

D. 298,133 10/1988 Tokiyama et al. D14/157
D. 307,906 5/1990 Beaumont D14/157
D. 334,925 4/1993 Beaumont et al. D14/137 X
D. 357,024 4/1995 Tokiyama et al. D14/137 X

Primary Examiner—Prabhakar G. Deshmukh
Assistant Examiner—Nanda Bondade
Attorney, Agent, or Firm—Dale W. Dorinski

[57] **CLAIM**

The ornamental design for a control head for a mobile radio, as shown and described.

DESCRIPTION

FIG. 1 is a left side elevational view of a control head for a mobile radio showing my new design;
FIG. 2 is a front elevational view thereof;
FIG. 3 is a right side elevational view thereof;
FIG. 4 is a top plan view thereof;
FIG. 5 is a bottom plan view thereof; and,
FIG. 6 is a front top and right side perspective view thereof.

1 Claim, 3 Drawing Sheets

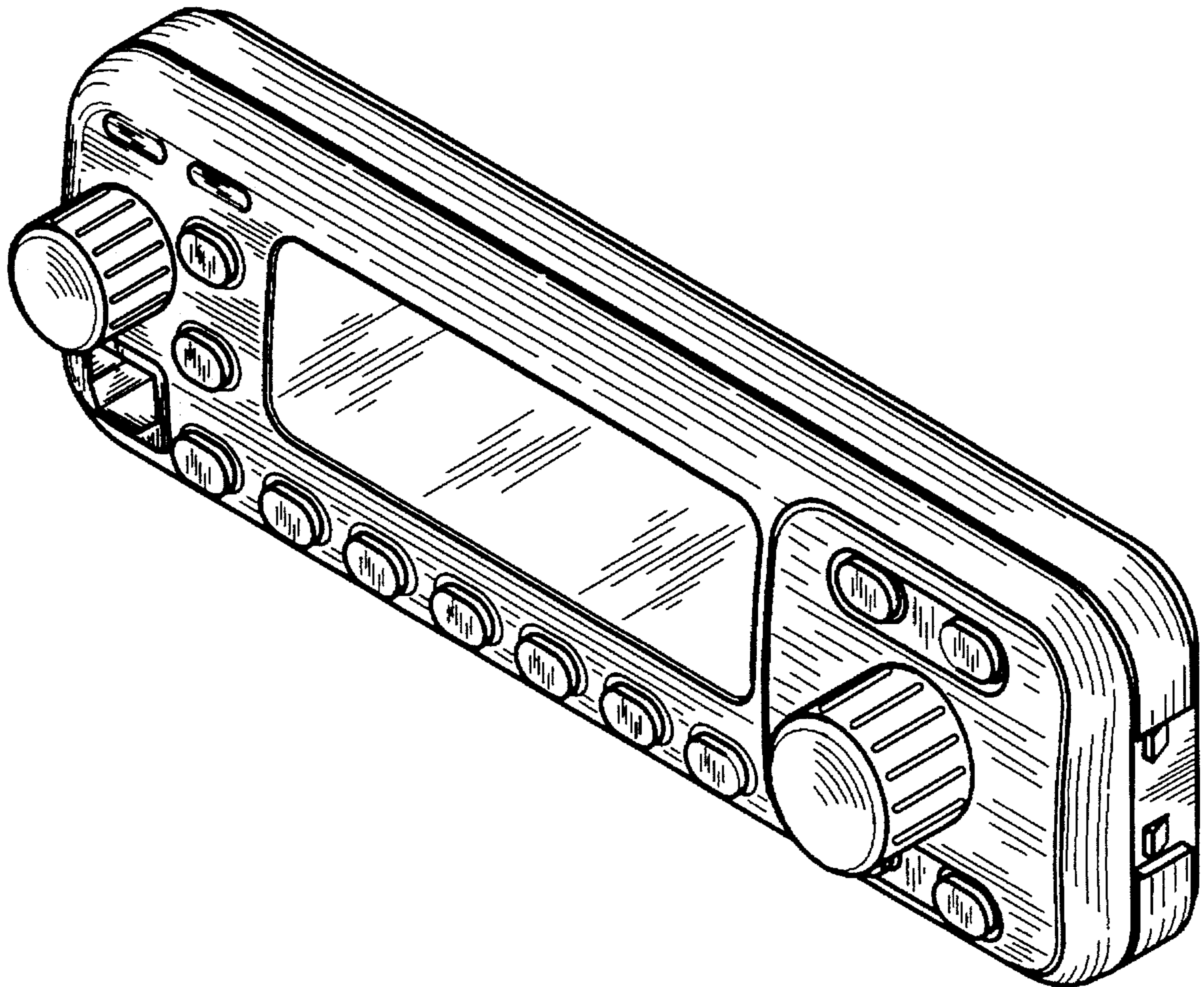


FIG. 3

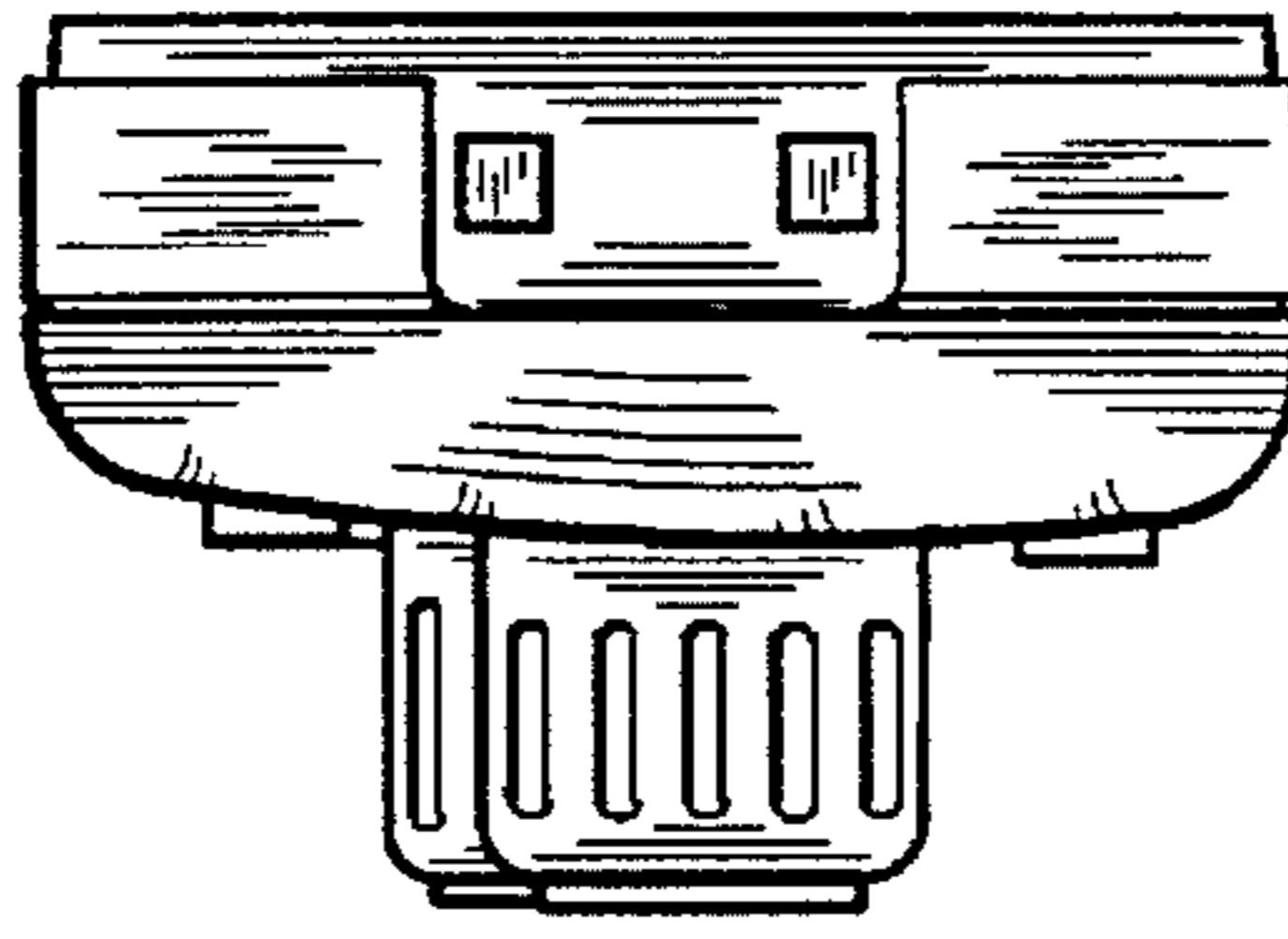


FIG. 2

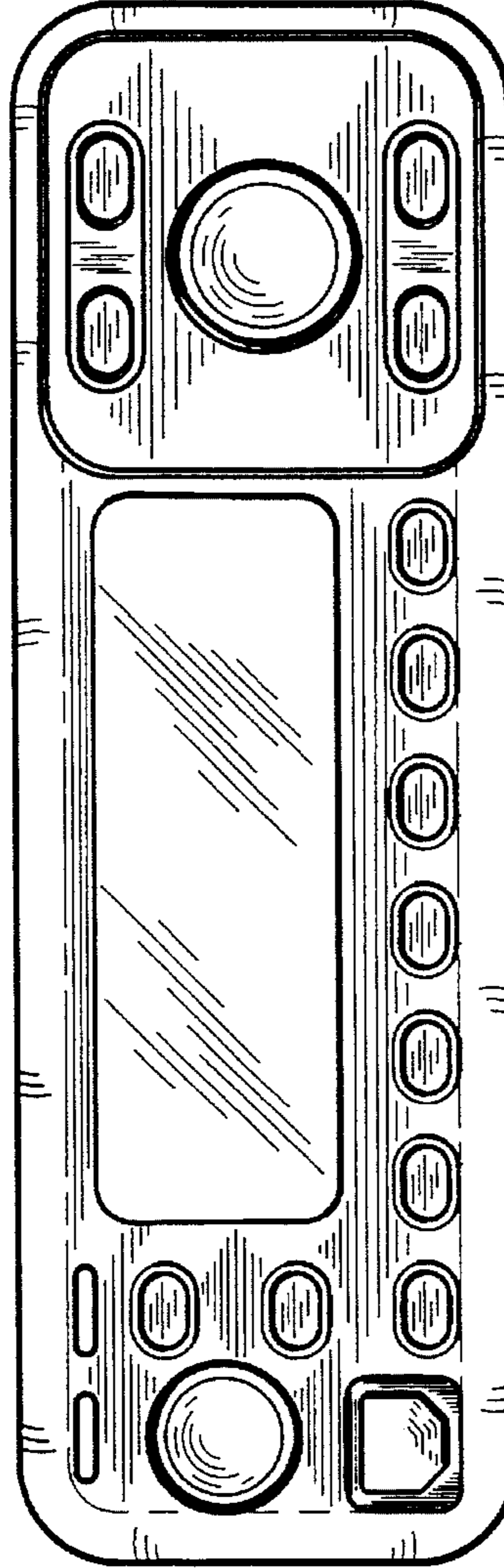


FIG. 1

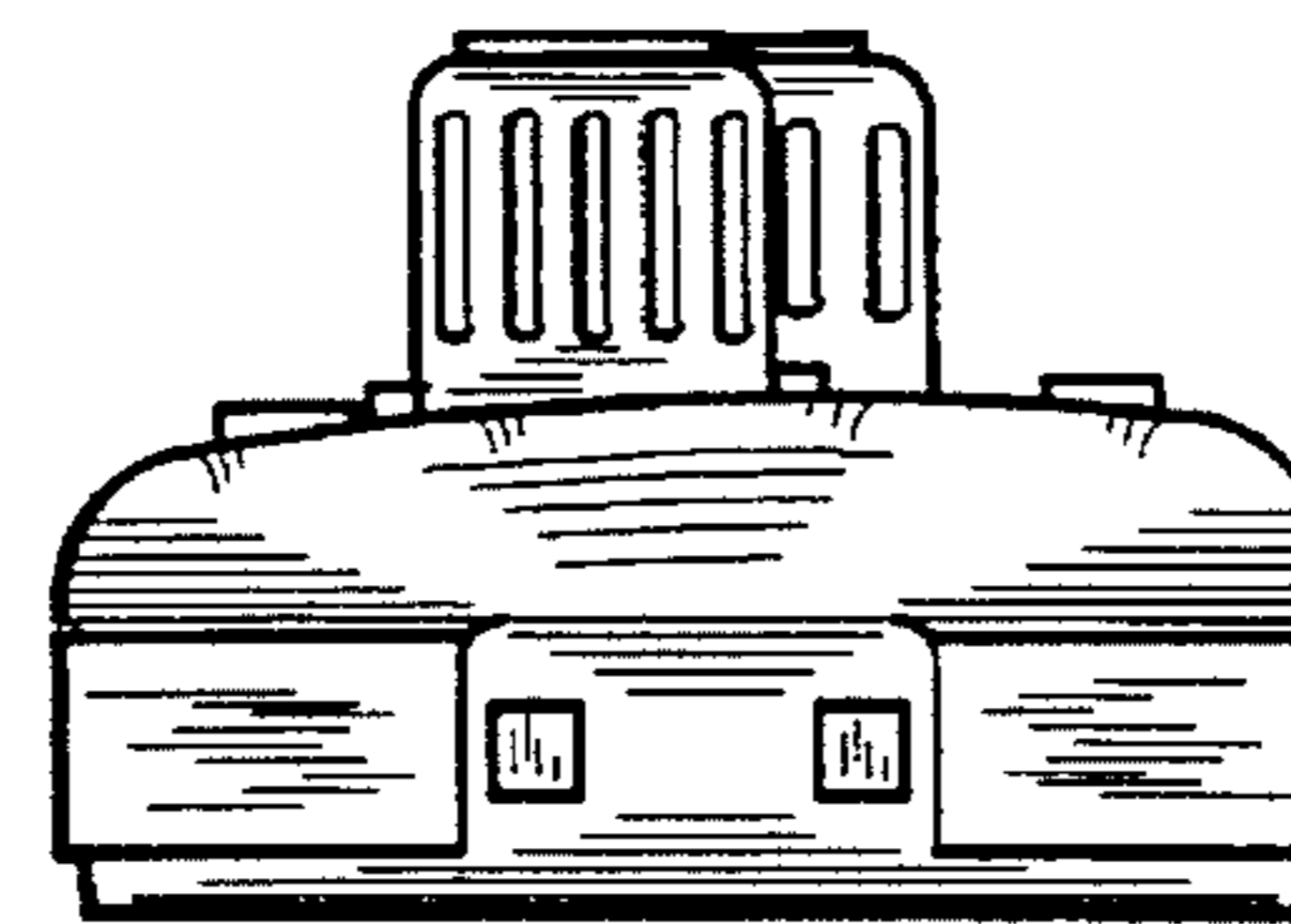


FIG. 4

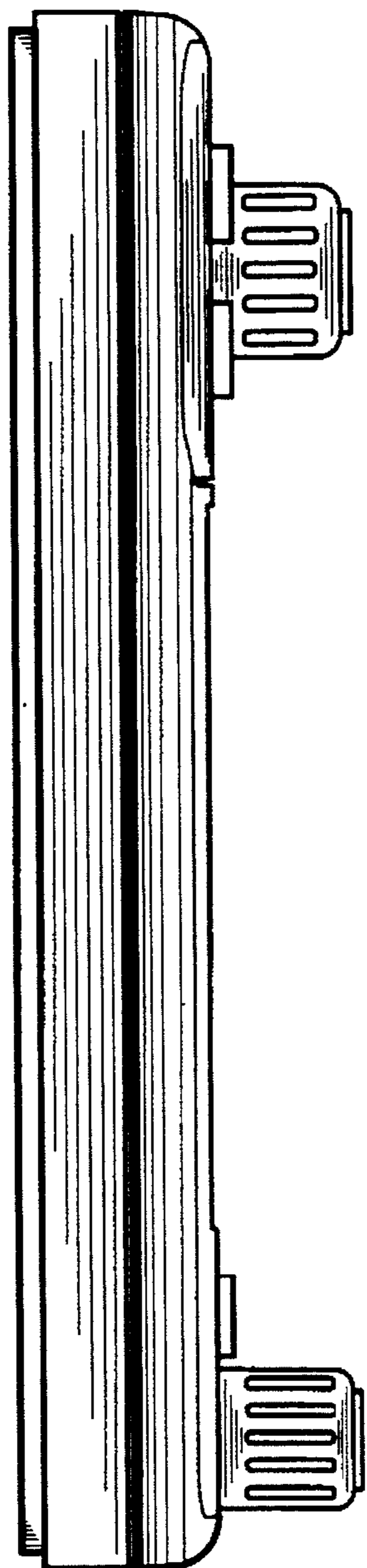


FIG. 5

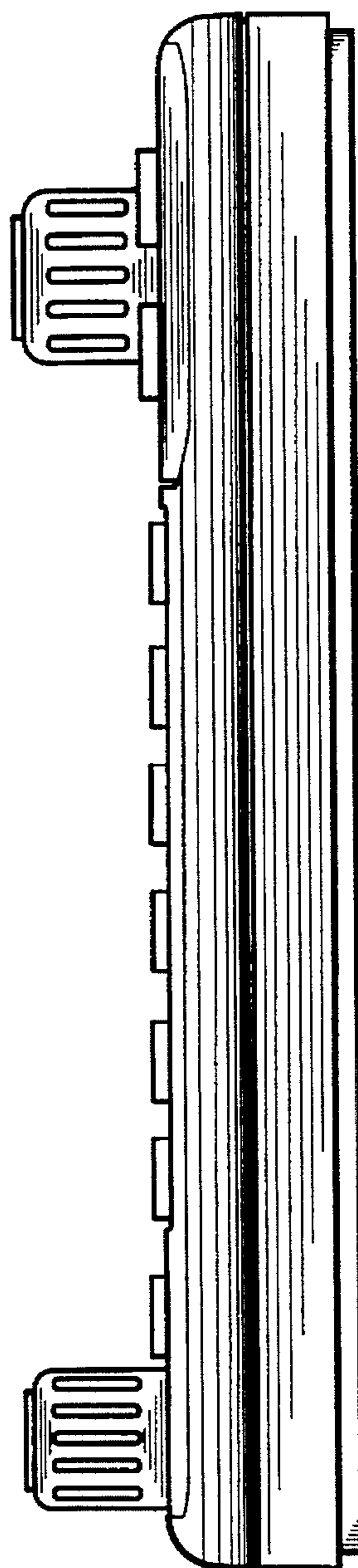


FIG. 6

