



US00D365565S

United States Patent [19]

Sickler et al.

[11] Patent Number: **Des. 365,565**

[45] Date of Patent: ****Dec. 26, 1995**

[54] **MICROSTRIP ANTENNA FOR RADIO-CONTROLLED AIRCRAFT**

D. 287,099 12/1986 Cory D8/396 X
2,337,710 12/1943 Cowan 343/720
4,675,691 6/1987 Moore 343/761 X

[76] Inventors: **Terry L. Sickler; Laurence C. Sklair, Jr.**, both of 10256 W. Portland Pl., Littleton, Colo. 80123-9262

Primary Examiner—Dominic Simone
Attorney, Agent, or Firm—William E. Hein

[**] Term: **14 Years**

[57] **CLAIM**

The ornamental design for a microstrip antenna for radio-controlled aircraft, as shown and described.

[21] Appl. No.: **20,812**

DESCRIPTION

[22] Filed: **Apr. 4, 1994**

[52] U.S. Cl. **D14/230**

FIG. 1 is a front perspective view of a microstrip antenna for radio-controlled aircraft, showing our new design;
FIG. 2 is a front elevation view;
FIG. 3 is a top plan view;
FIG. 4 is a bottom plan view; and,
FIG. 5 is a right side elevation view, the left side elevation being a mirror image thereof.

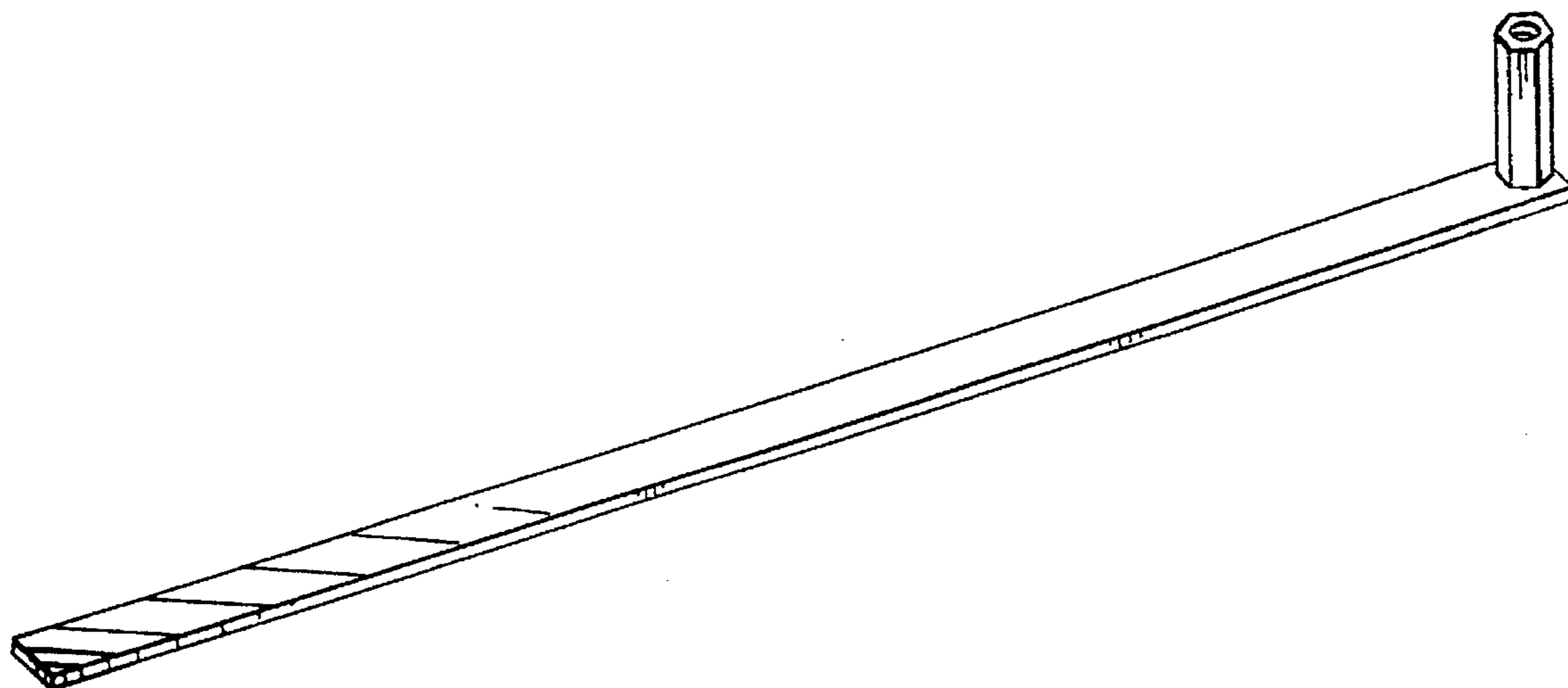
[58] Field of Search D14/230, 236;
343/720, 761, 781 R, 900, 901, 907, 908,
912; D8/396

[56] **References Cited**

U.S. PATENT DOCUMENTS

D. 97,447 11/1935 Weber D14/230

1 Claim, 1 Drawing Sheet



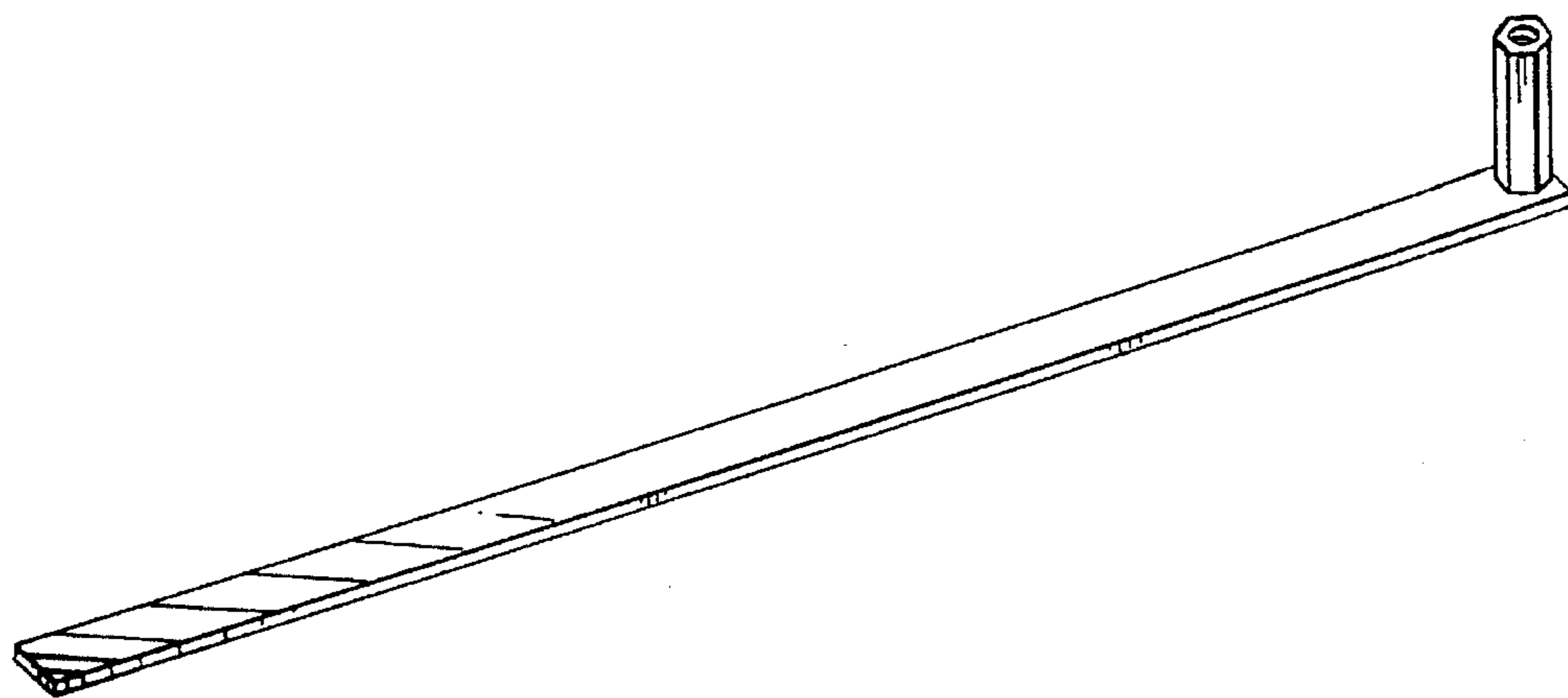


FIG. 1



FIG. 2

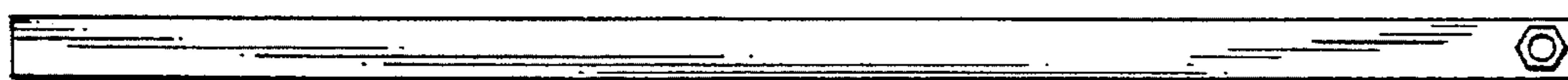


FIG. 3

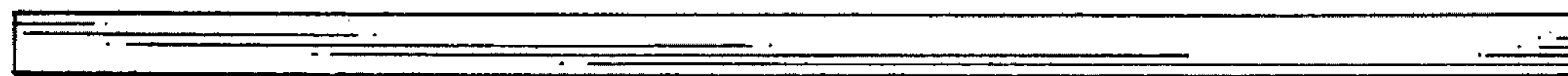


FIG. 4



FIG. 5