



US00D365564S

United States Patent [19]

[11] Patent Number: **Des. 365,564**

Luther et al.

[45] Date of Patent: ****Dec. 26, 1995**

[54] **MICROPHONE**

[75] Inventors: **James Luther; Norio Fujikawa**, both of Minneapolis, Minn.

[73] Assignee: **Telex Communications, Inc.**, Minneapolis, Minn.

[**] Term: **14 Years**

[21] Appl. No.: **22,767**

[22] Filed: **May 11, 1994**

[52] U.S. Cl. **D14/227**; D14/228

[58] Field of Search D14/206, 225-229, D14/299; 181/158; 379/430, 431, 444; 381/91, 168, 169

[56] **References Cited**

U.S. PATENT DOCUMENTS

D. 150,457	8/1948	Pike	D14/227
D. 179,540	1/1957	Knechtsberger	D14/227
D. 313,802	1/1991	Peiker	D14/229 X
D. 357,481	4/1995	Giuntoli et al.	D14/227
3,562,446	2/1971	Wolf	381/169
4,361,737	11/1982	Peterson	381/168
4,685,137	8/1987	Watson et al.	381/159 X
4,741,041	4/1988	Hayashi	381/168 X

FOREIGN PATENT DOCUMENTS

0132998 5/1990 Japan 381/168

OTHER PUBLICATIONS

Kent Microphones catalog, dated Dec. 7, 1964, p. 12, M-7 Dynamic Microphone.
Burstein-Applebee Catalog 614, published 1963, p. 50, Uni-directional Cardioid Dynamics Microphone 545 and Shure Mike Accessories, Microphone base S38B and S36A.

Primary Examiner—Prabhakar G. Deshmukh
Assistant Examiner—Nanda Bondade
Attorney, Agent, or Firm—Gregory P. Kaihoi

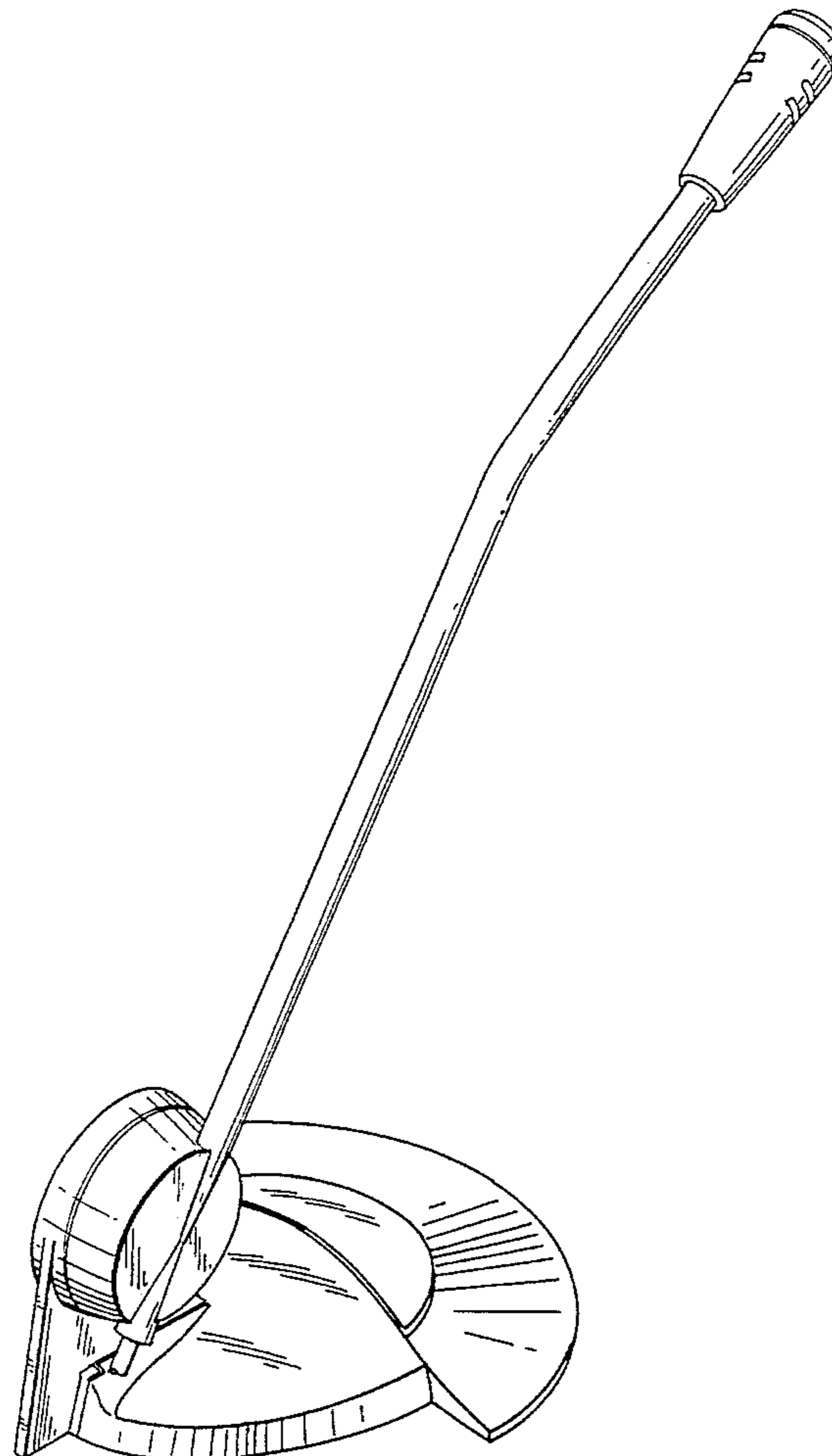
[57] **CLAIM**

The ornamental design for a microphone, as shown.

DESCRIPTION

FIG. 1 is a perspective view of a microphone showing our new design;
FIG. 2 is a top view thereof;
FIG. 3 is a left side view thereof;
FIG. 4 is a rear view thereof;
FIG. 5 is a front view thereof;
FIG. 6 is a bottom view thereof; and,
FIG. 7 is a right side view thereof.

1 Claim, 4 Drawing Sheets



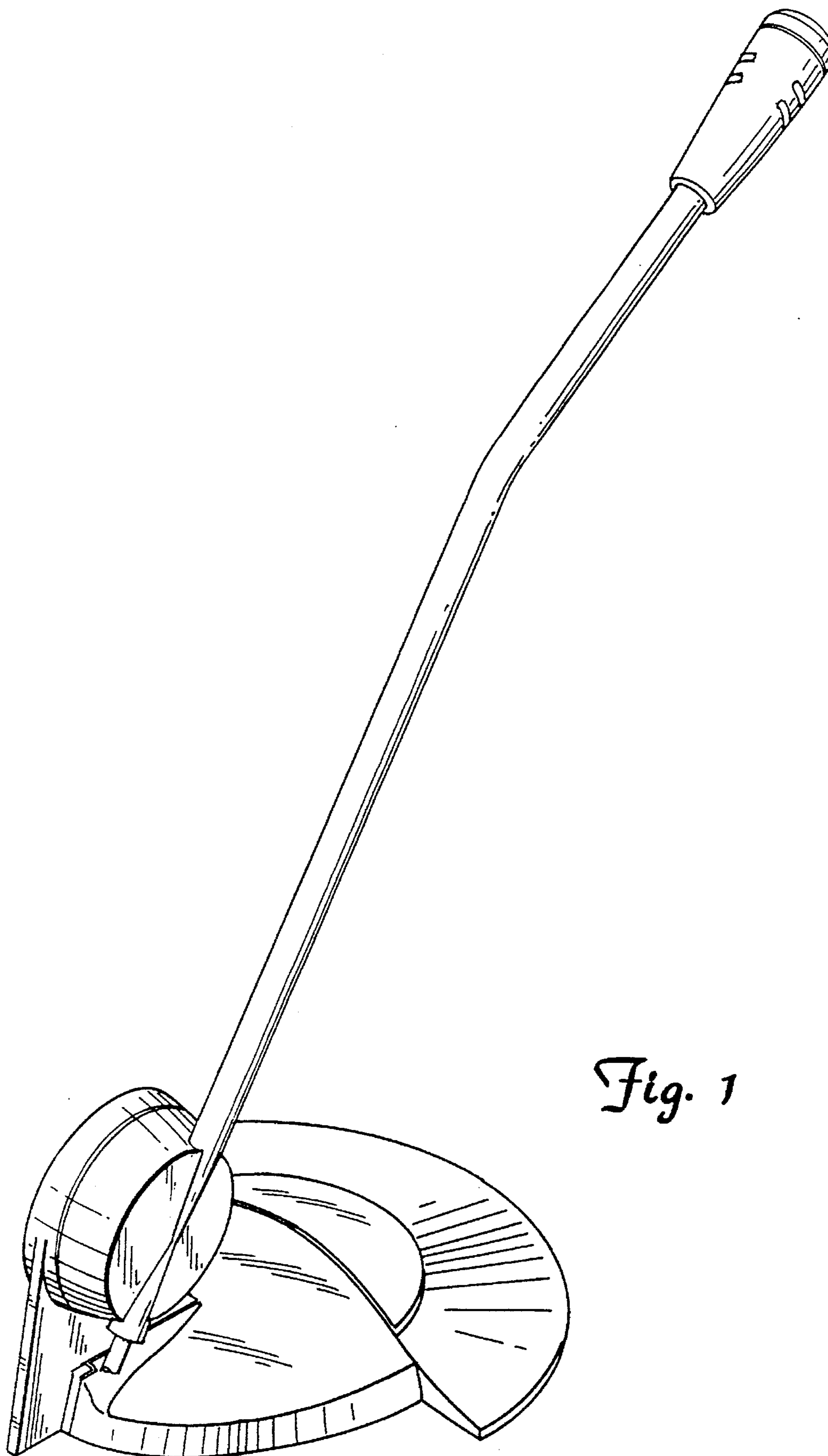
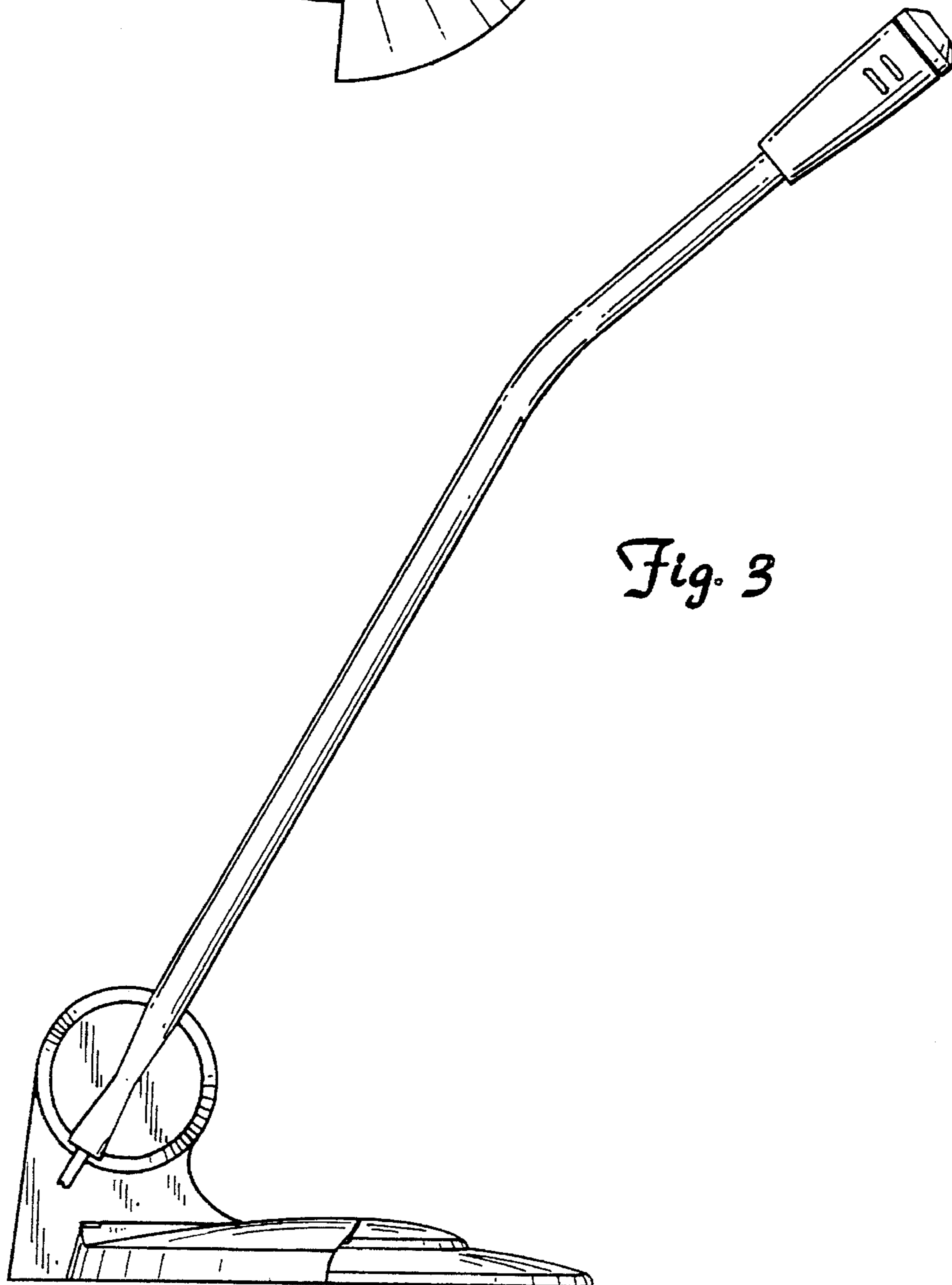
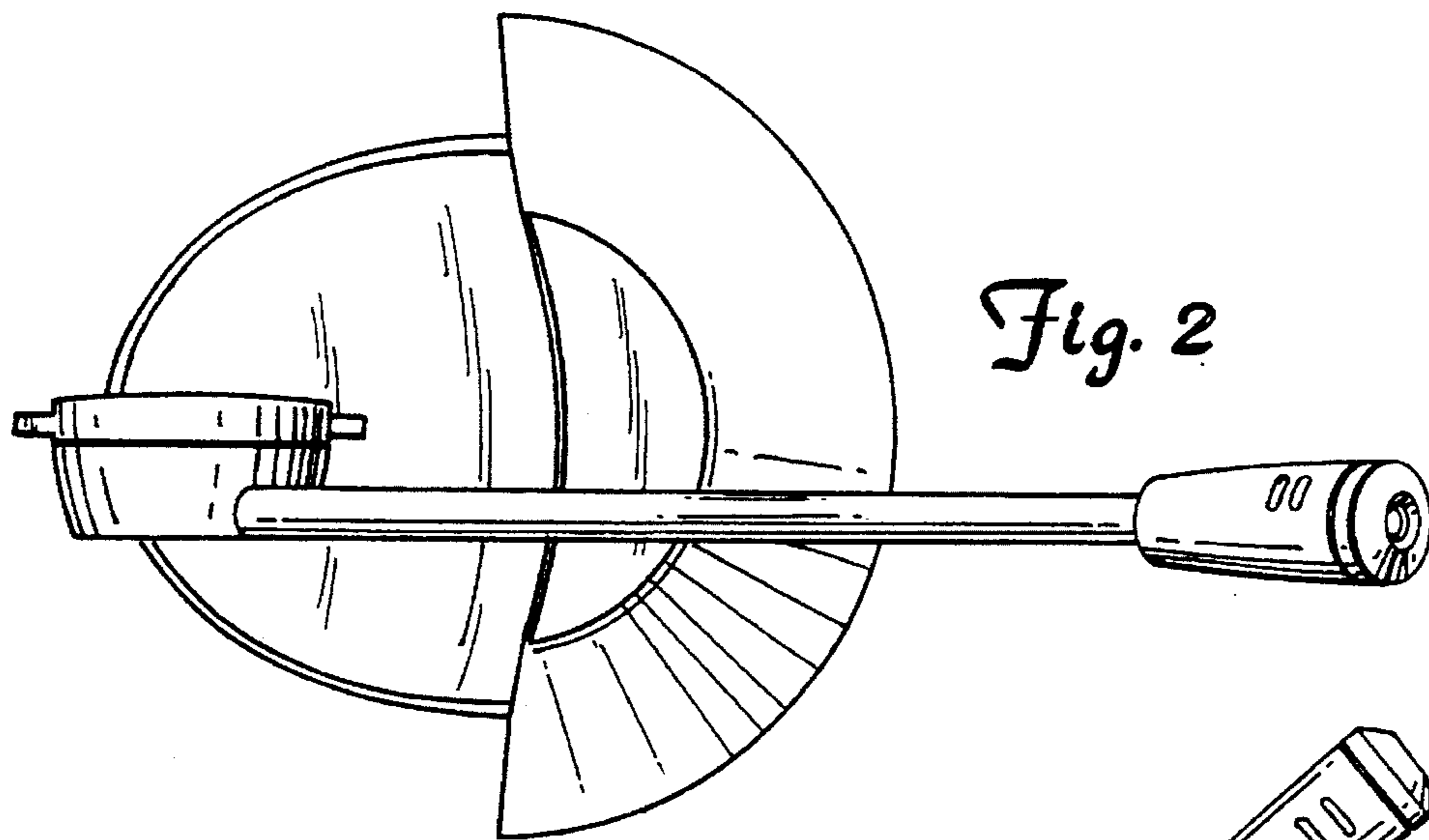


Fig. 1



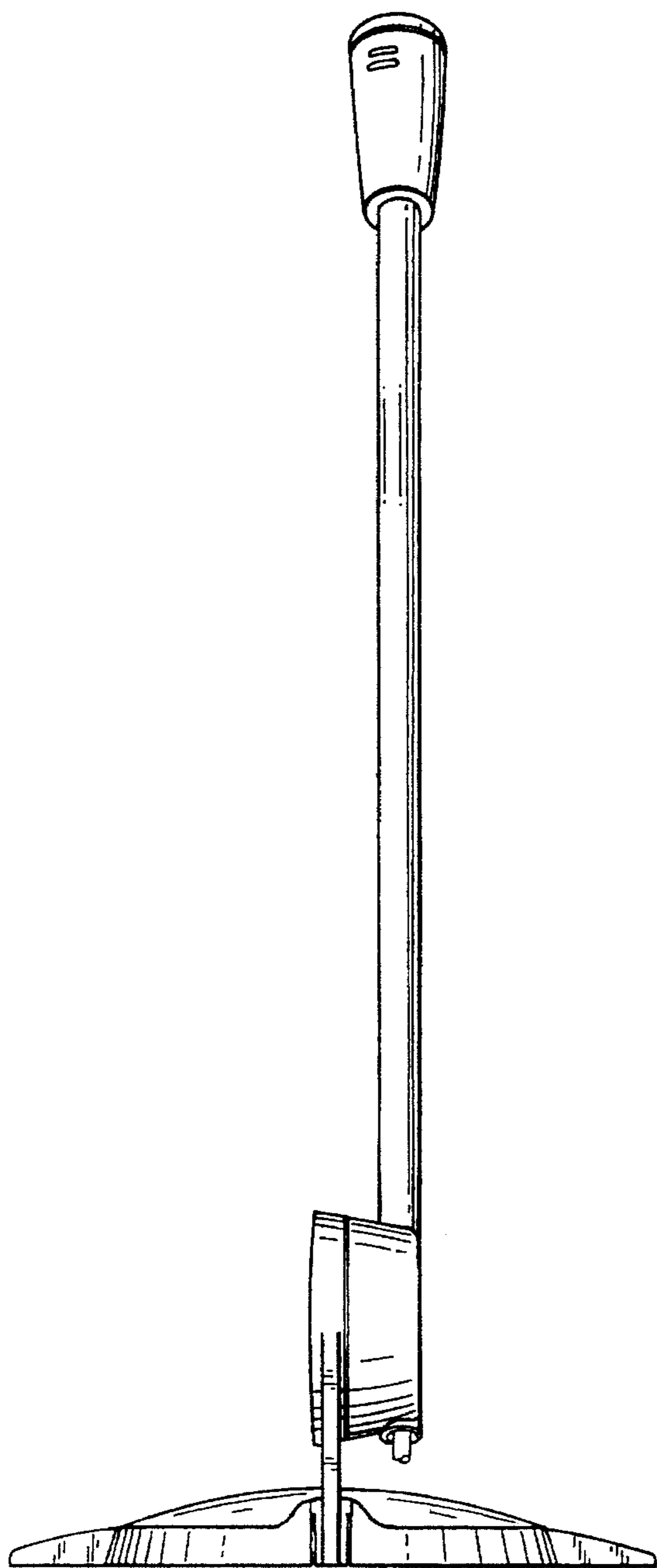


Fig. 4

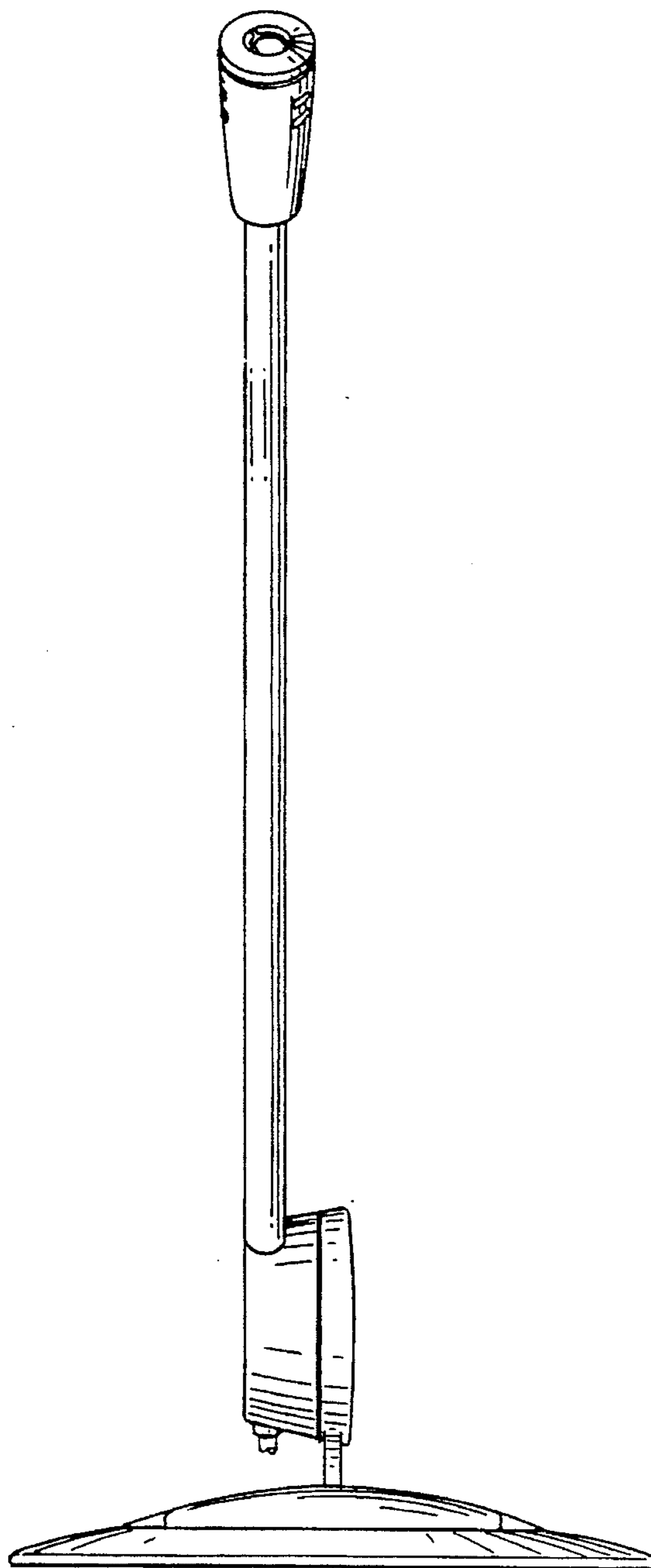


Fig. 5

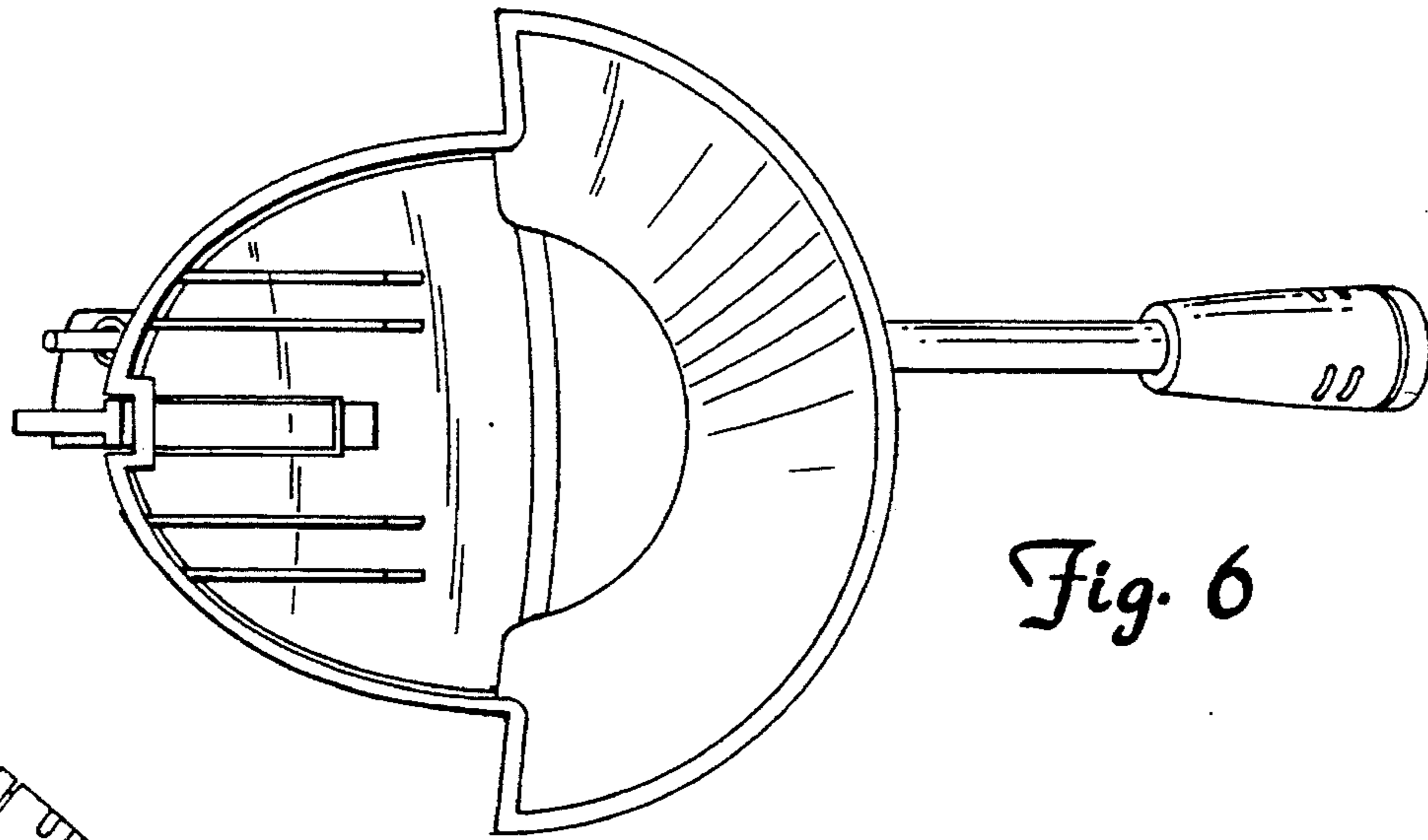


Fig. 6

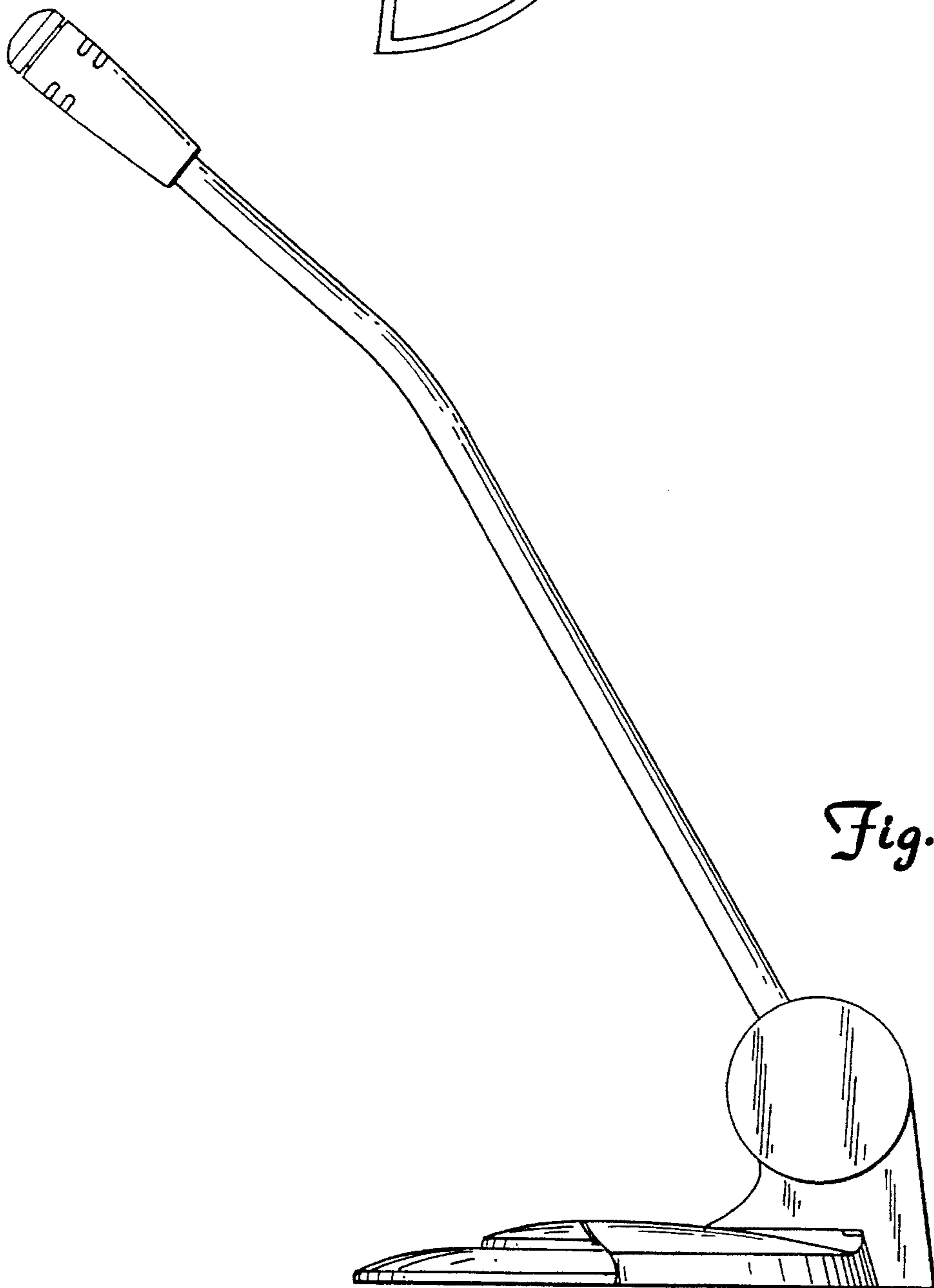


Fig. 7