



US00D365560S

**United States Patent** [19]  
**Büchin**

[11] **Patent Number: Des. 365,560**

[45] **Date of Patent: \*\*Dec. 26, 1995**

[54] **TELEPHONE SET**

[75] Inventor: **Karl Büchin**, Berlin, Germany

[73] Assignee: **Alcatel SEL Aktiengesellschaft**,  
Stuttgart, Germany

[\*\*] Term: **14 Years**

[21] Appl. No.: **31,503**

[22] Filed: **Nov. 29, 1994**

[52] U.S. Cl. .... **D14/151**

[58] **Field of Search** ..... D14/149, 150,  
D14/151, 140, 142, 115, 240, 144, 241,  
143, 247, 141; 379/419, 420, 428, 440,  
434-436, 445-455; D21/111

[56] **References Cited**

**U.S. PATENT DOCUMENTS**

D. 285,921	9/1986	Beese	.....	D14/151
D. 291,692	9/1987	Read et al.	.....	D14/253
D. 299,132	12/1988	Asaki et al.	.....	D14/151
D. 302,815	8/1989	Goatman	.....	D14/140 X
D. 305,891	2/1990	Atkins	.....	D14/151
D. 307,008	4/1990	Shaanan et al.	.....	D14/149 X
D. 321,509	11/1991	Kajita	.....	D14/144
D. 339,342	9/1993	Chan	.....	D14/149

D. 345,558	3/1994	Hillenmayer et al.	.....	D14/151
D. 355,186	2/1995	Danielson et al.	.....	D14/151 X
D. 357,012	4/1995	Oja	.....	D14/151

*Primary Examiner*—Jeffrey Asch  
*Attorney, Agent, or Firm*—Ware, Fressola, Van Der Sluys &  
Adolphson

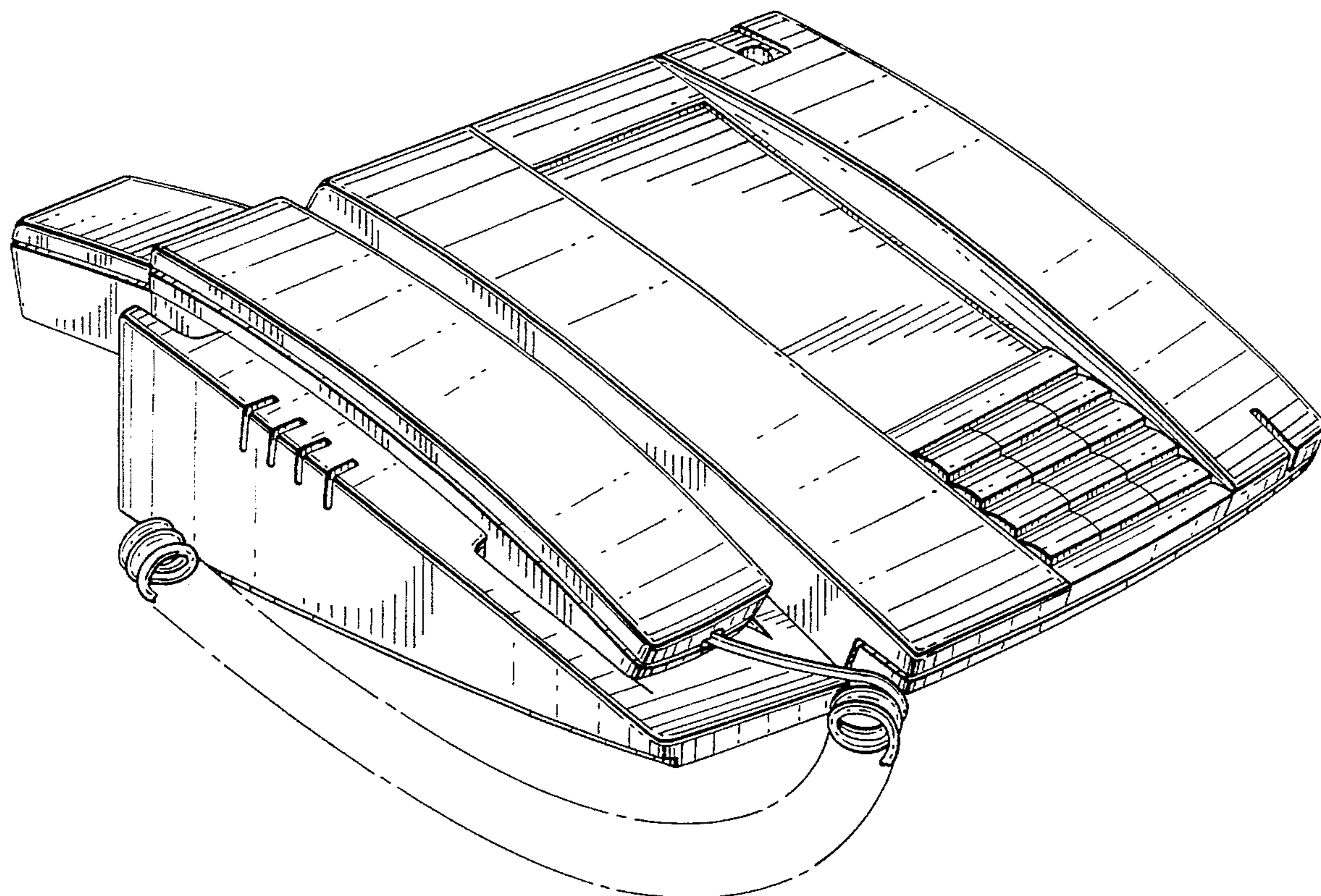
[57] **CLAIM**

The original design for a telephone set, as shown and described.

**DESCRIPTION**

FIG. 1 is a perspective view of the telephone set;  
FIG. 2 is a top view of the telephone set of FIG. 1;  
FIG. 3 is a front elevational view of the telephone set of FIG. 1;  
FIG. 4 is a left side elevational view of the telephone set of FIG. 1;  
FIG. 5 is a right side elevational view of the telephone set of FIG. 1;  
FIG. 6 is a bottom view of the telephone set of FIG. 1;  
FIG. 7 is a rear elevational view of the telephone set of FIG. 1; and,  
FIG. 8 is a perspective view of the telephone set of FIG. 1 with the handset removed.

**1 Claim, 5 Drawing Sheets**





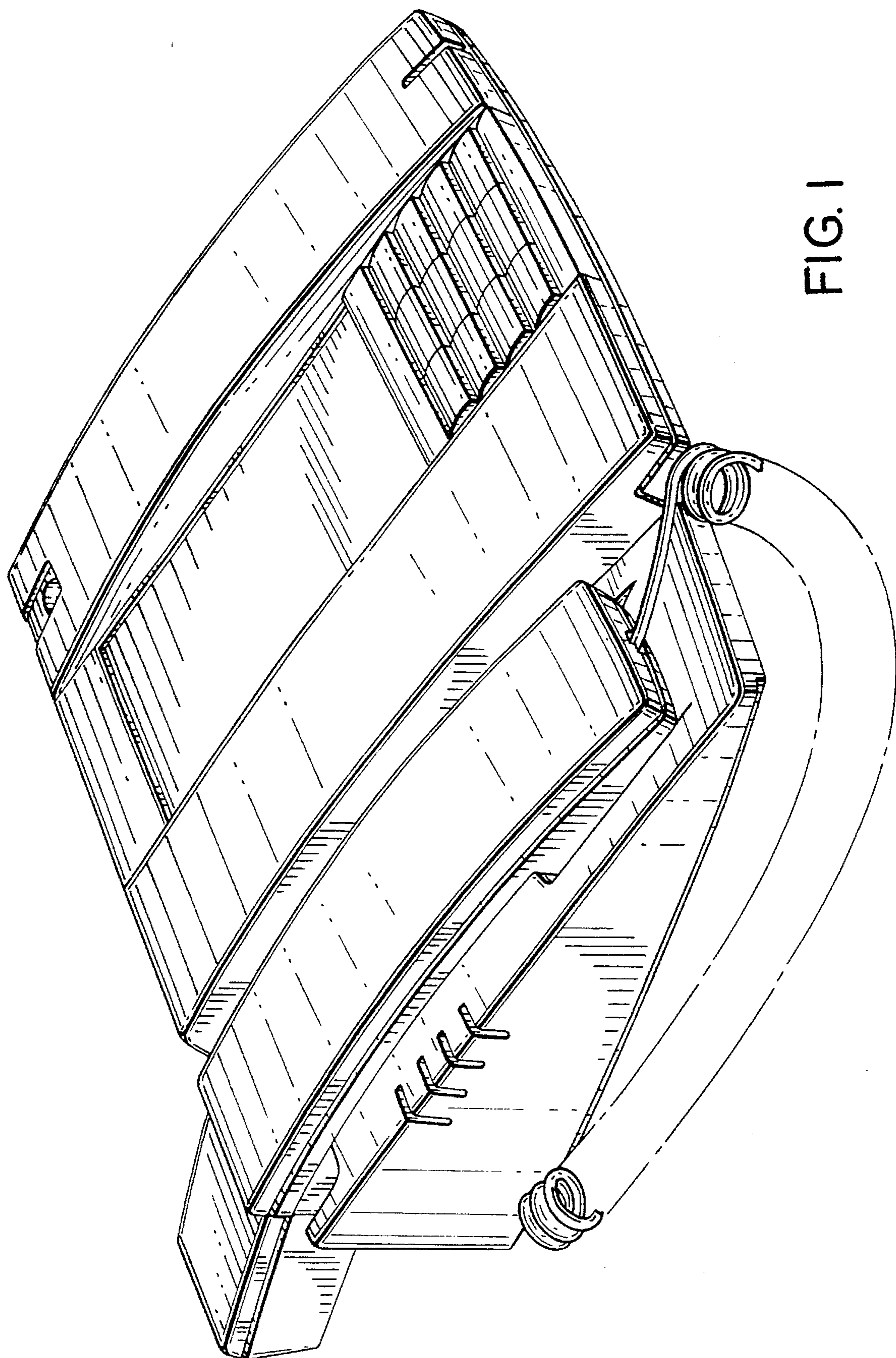


FIG. 1

FIG. 2

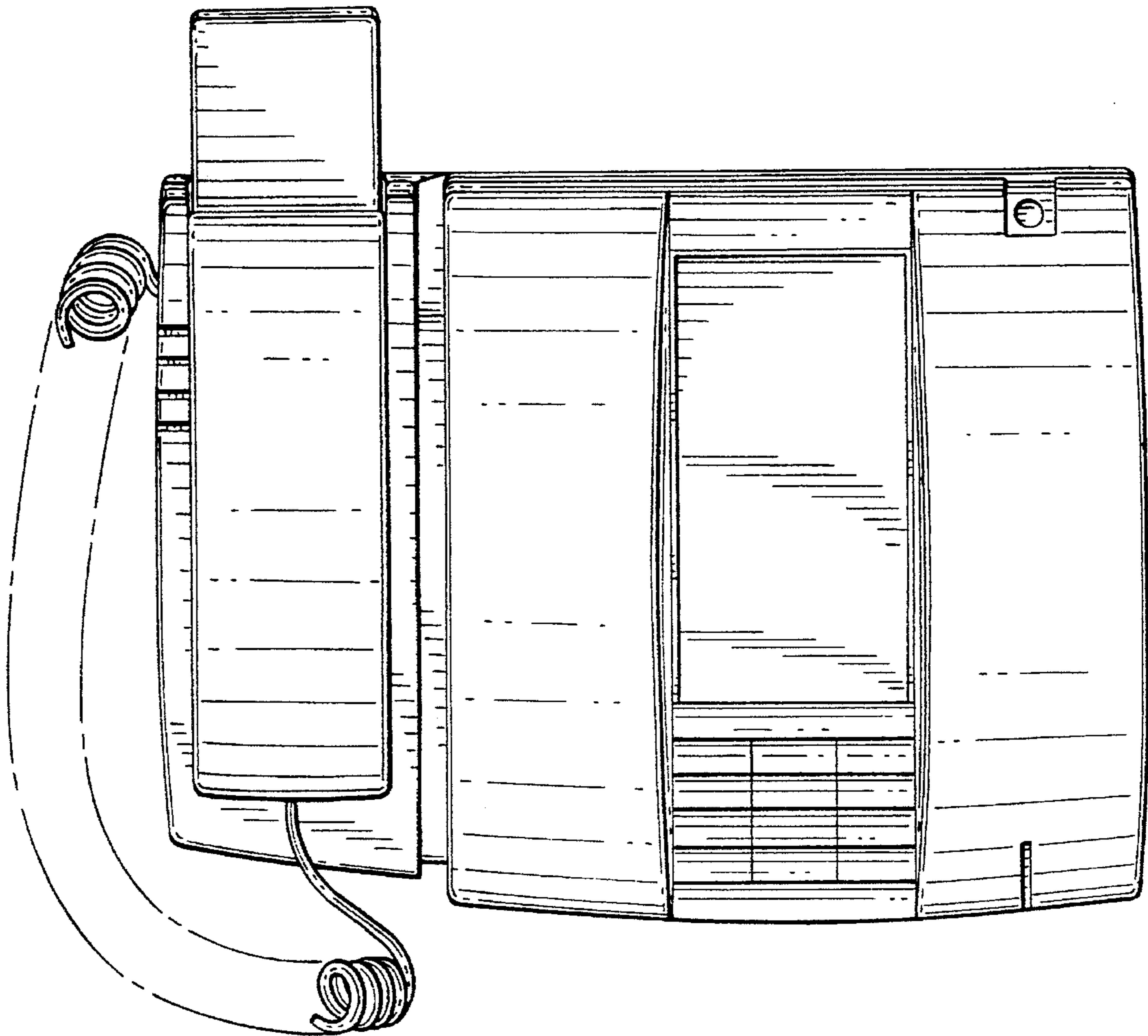


FIG. 3

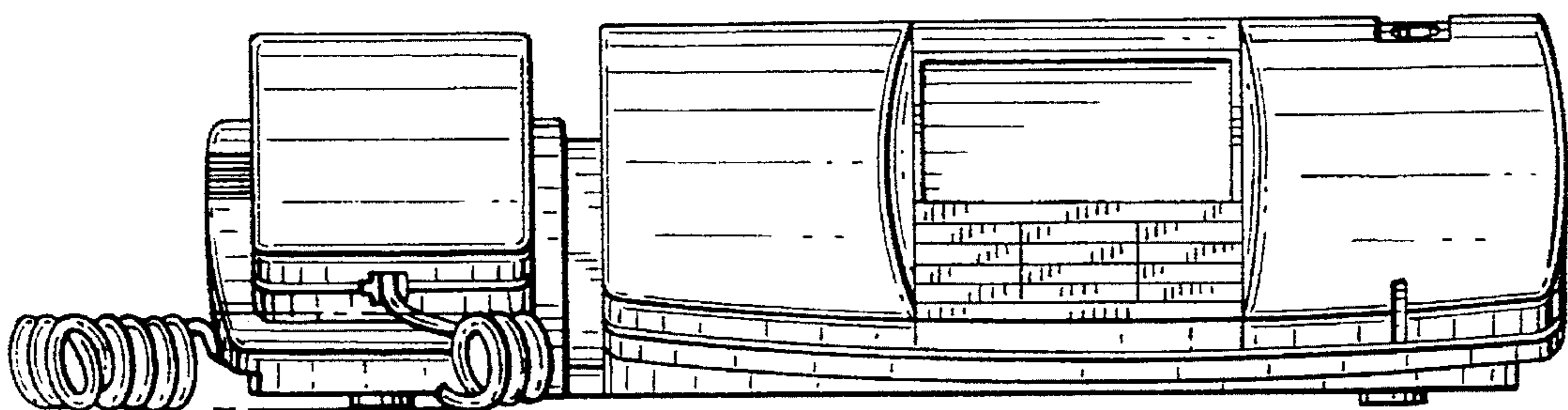


FIG. 4

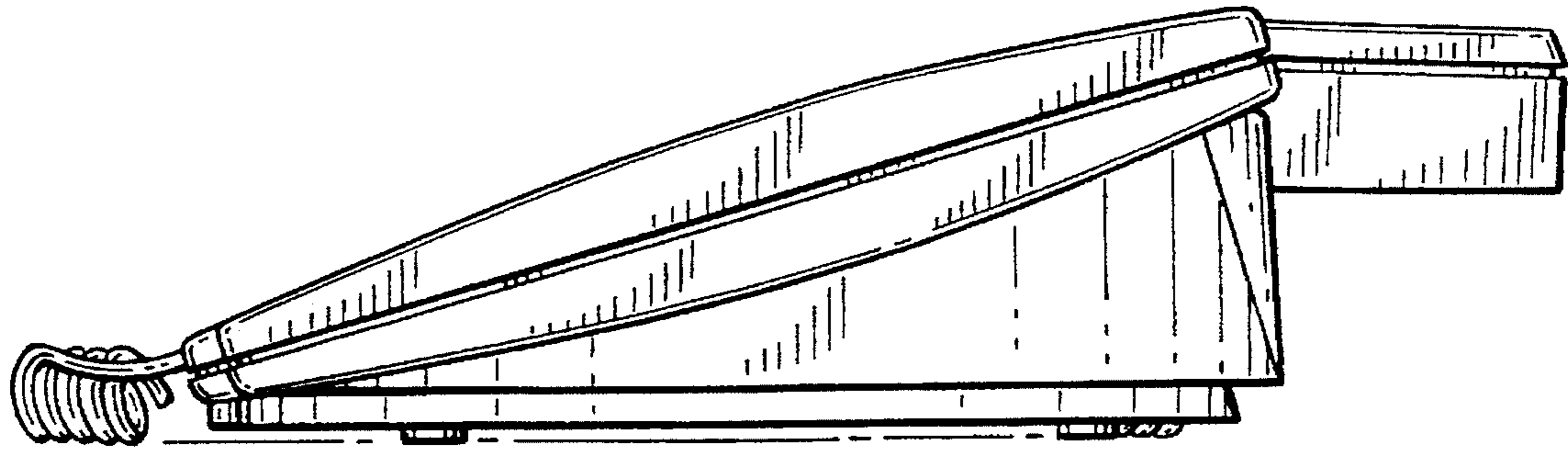


FIG. 5

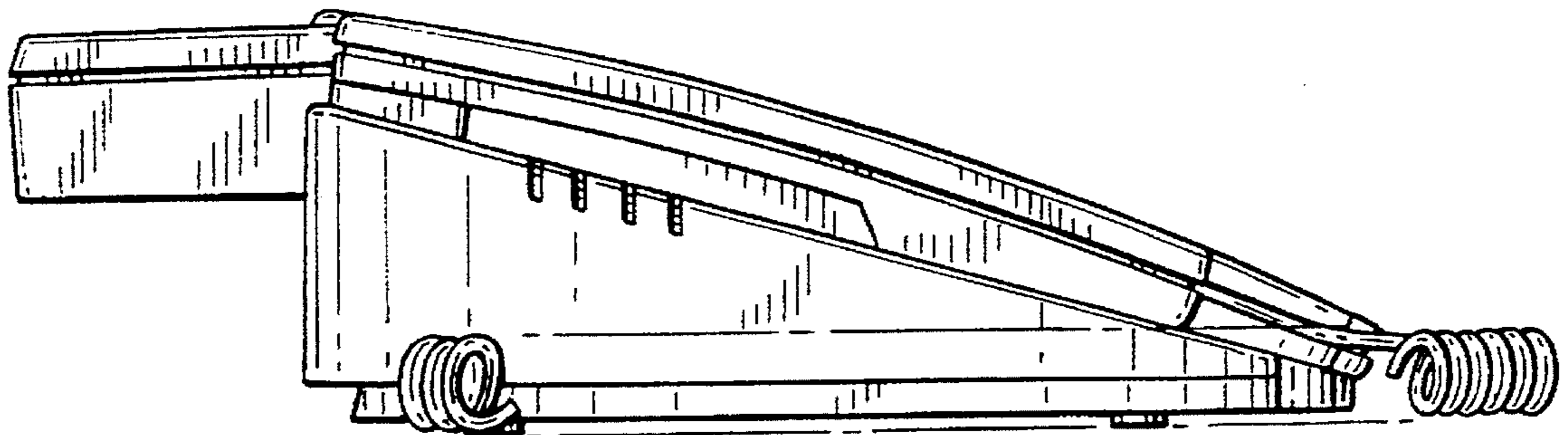




FIG. 6

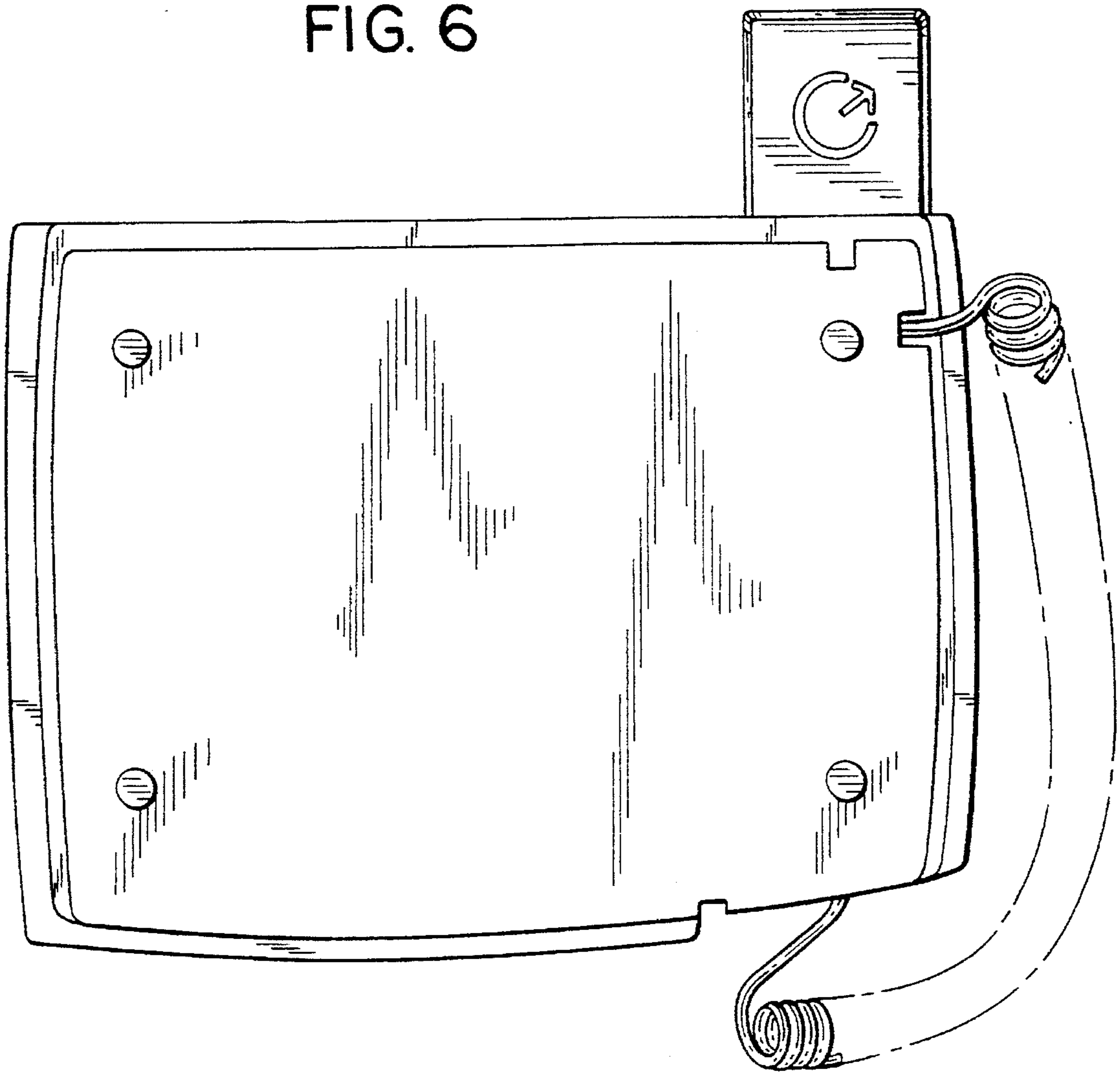
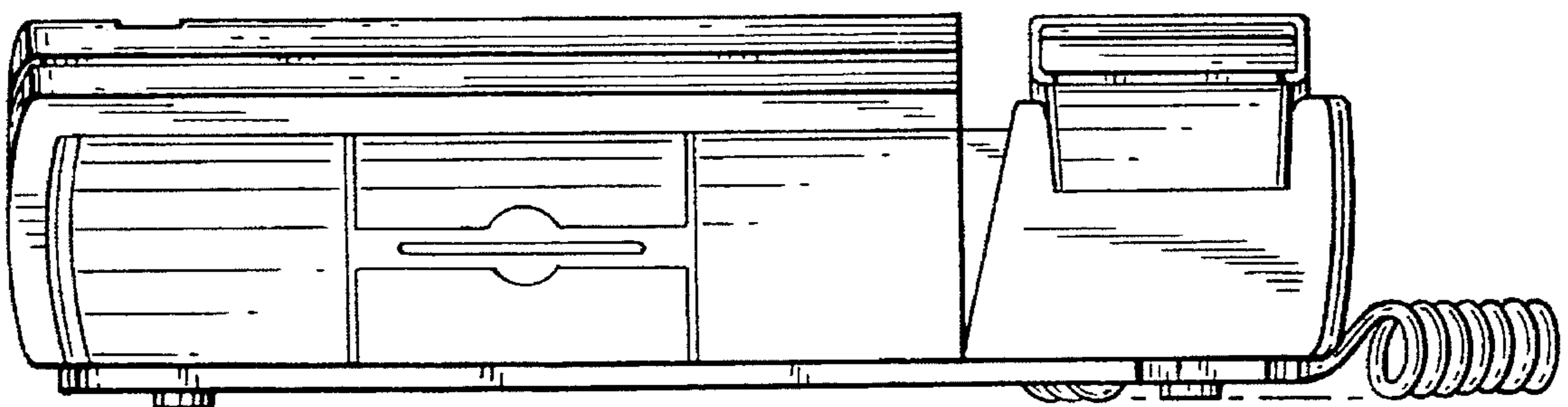


FIG. 7



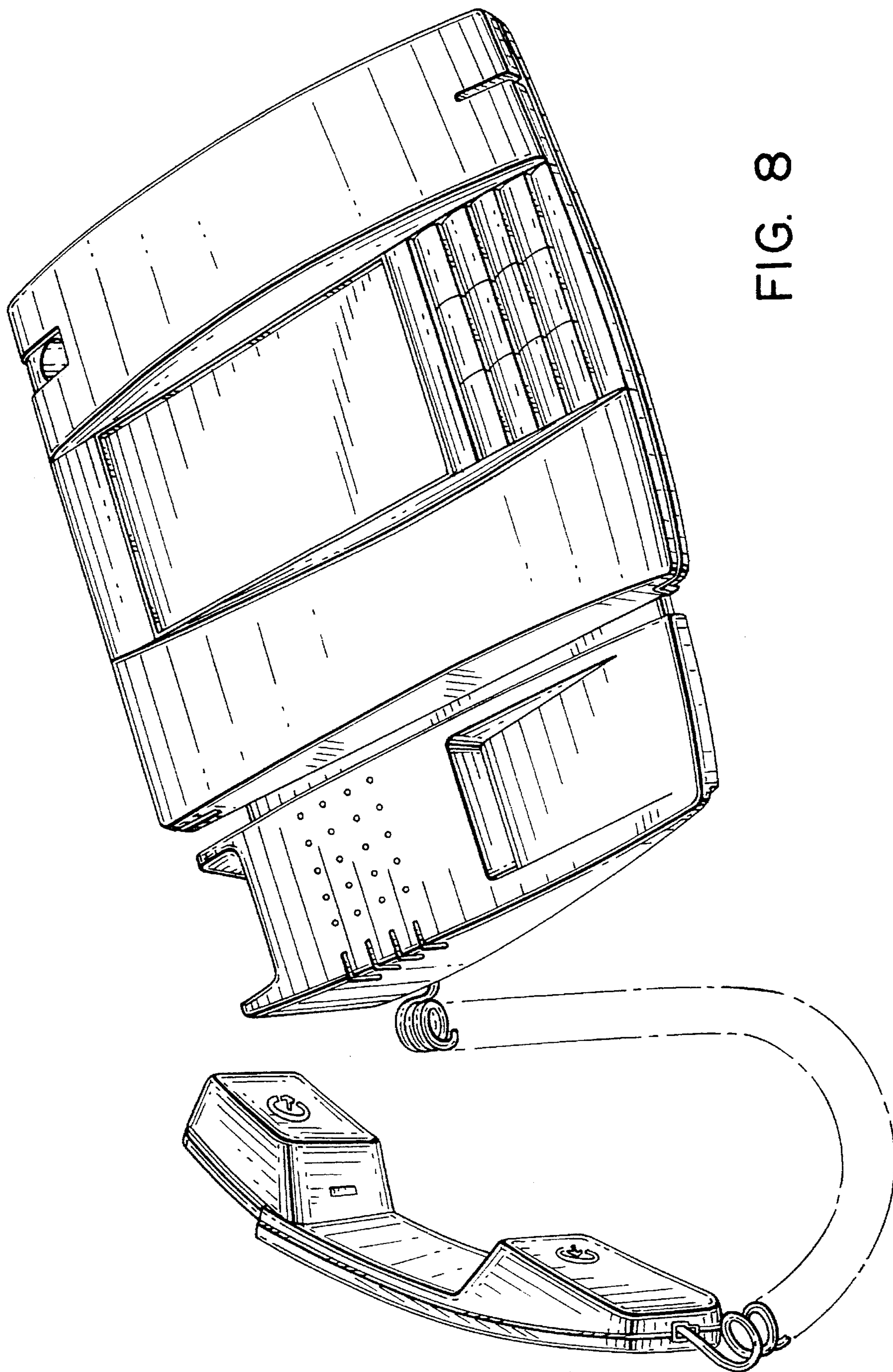


FIG. 8