



US00D36559S

United States Patent [19] Fathi

[11] Patent Number: **Des. 365,559**

[45] Date of Patent: ****Dec. 26, 1995**

[54] **CARPHONE HEADSET**

5,381,486 1/1995 Ludeke et al. 381/187

[76] Inventor: **Mehrdad Fathi**, 40 Fayette St., No. 51,
Perth Amboy, N.J. 08861

[**] Term: **14 Years**

FOREIGN PATENT DOCUMENTS

577296 1/1994 European Pat. Off. .
2669799 5/1992 France .

[21] Appl. No.: **31,910**

[22] Filed: **Dec. 2, 1994**

[52] U.S. Cl. **D14/142; D14/206; D14/249**

[58] Field of Search D14/137, 138,
D14/140, 142, 149-151, 248, 249, 240,
206, 205, 223; 379/430, 419, 420, 428,
440, 444; 181/158, 129; 381/183, 187;
455/89, 90

OTHER PUBLICATIONS

Hello Direct, Spring 1994, Cover, Helloset Pro.
"Answers", a catalog, published by Radio Shack, 1995.
"Hello Direct", a catalog, dated Fall, 1993.

Primary Examiner—Jeffrey Asch
Attorney, Agent, or Firm—Richard C. Litman

[57] CLAIM

The ornamental design for a carphone headset, as shown and described.

[56] References Cited

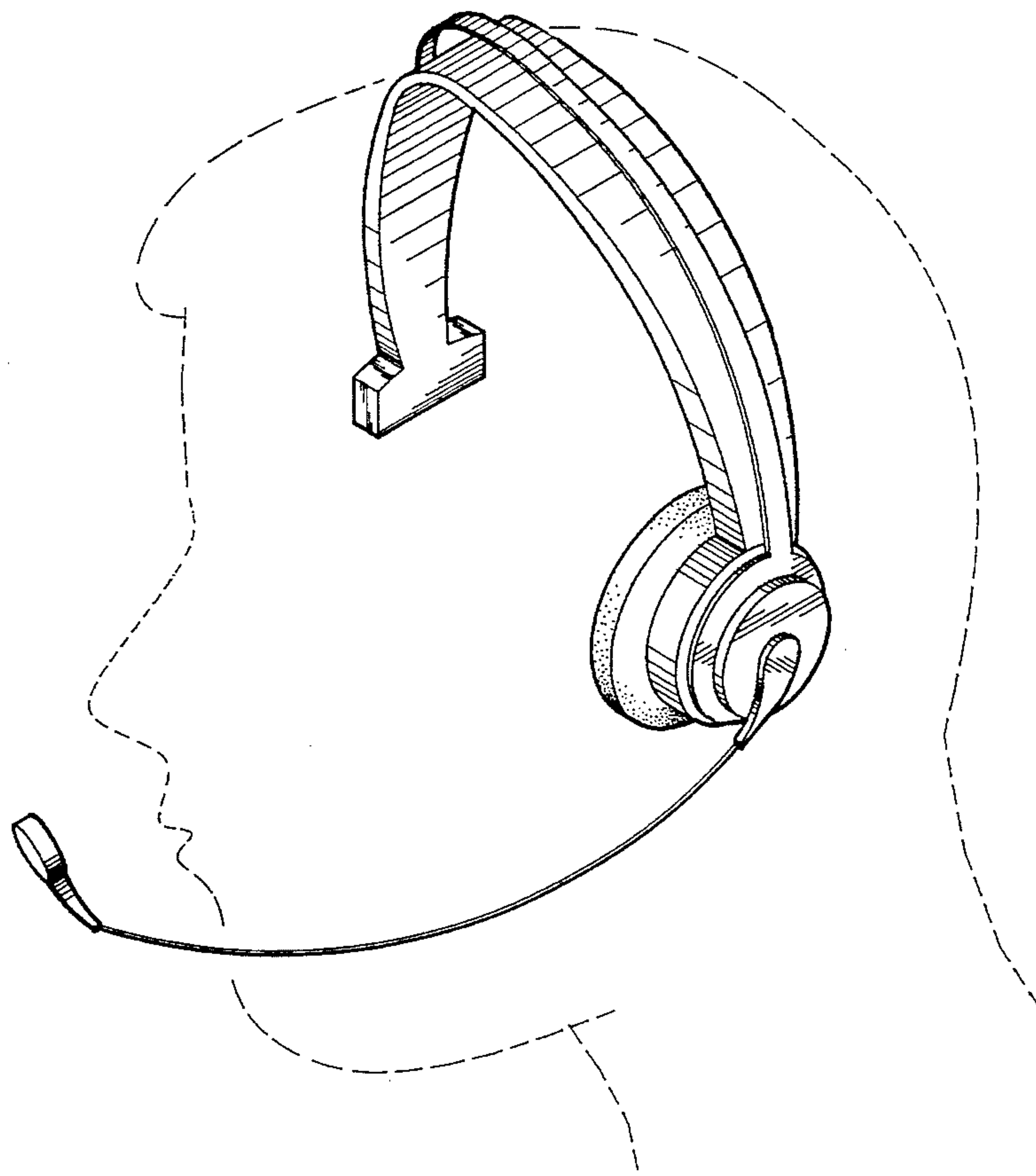
U.S. PATENT DOCUMENTS

D. 286,874	11/1986	Bertagna et al.	D14/205
D. 302,429	7/1989	Leer	D14/206 X
D. 344,730	3/1994	Gathey et al.	D14/206
D. 346,802	5/1994	Sacherman et al.	D14/206
3,971,901	7/1976	Foley .	
4,484,029	11/1984	Kenney .	
4,654,883	3/1987	Iwata .	
4,754,484	6/1988	Larkin et al.	379/430
4,875,233	10/1989	Derhaag et al.	381/183 X
4,882,745	11/1989	Silver	455/90 X
4,930,148	5/1990	Lee .	
5,099,514	3/1992	Acree	379/430 X
5,134,655	7/1992	Jensen .	
5,369,857	12/1994	Sacherman et al.	381/187 X

DESCRIPTION

FIG. 1 is an environmental perspective view of a carphone headset showing my new design;
FIG. 2 is a front elevational view thereof;
FIG. 3 is a rear elevational view thereof;
FIG. 4 is a top view thereof;
FIG. 5 is a bottom view thereof;
FIG. 6 is a right side elevational view thereof; and,
FIG. 7 is a left side elevational view thereof.
The broken line showing of a person in FIG. 1 is for illustrative purposes only and forms no part of the claimed design.

1 Claim, 4 Drawing Sheets



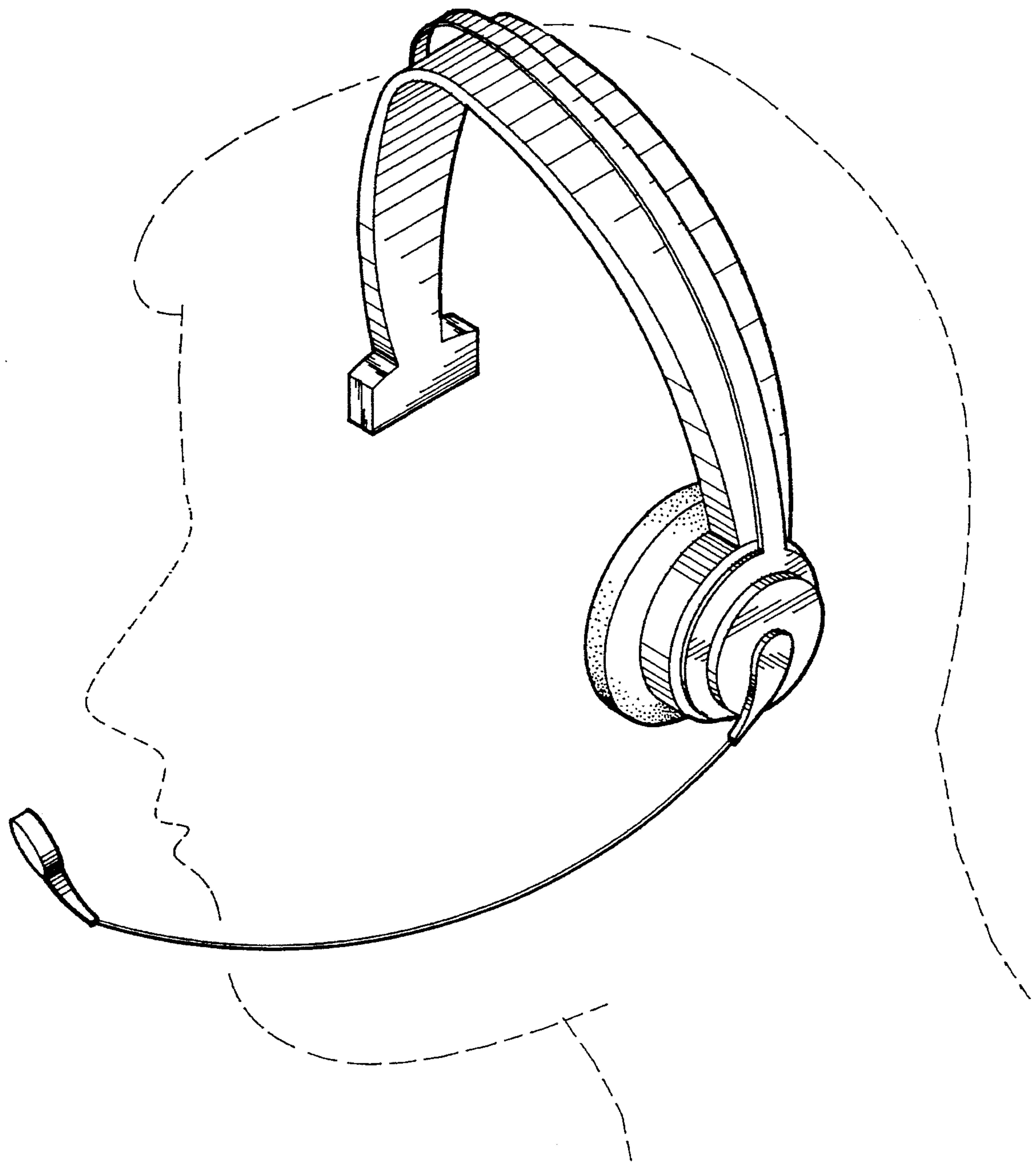


FIG. 1

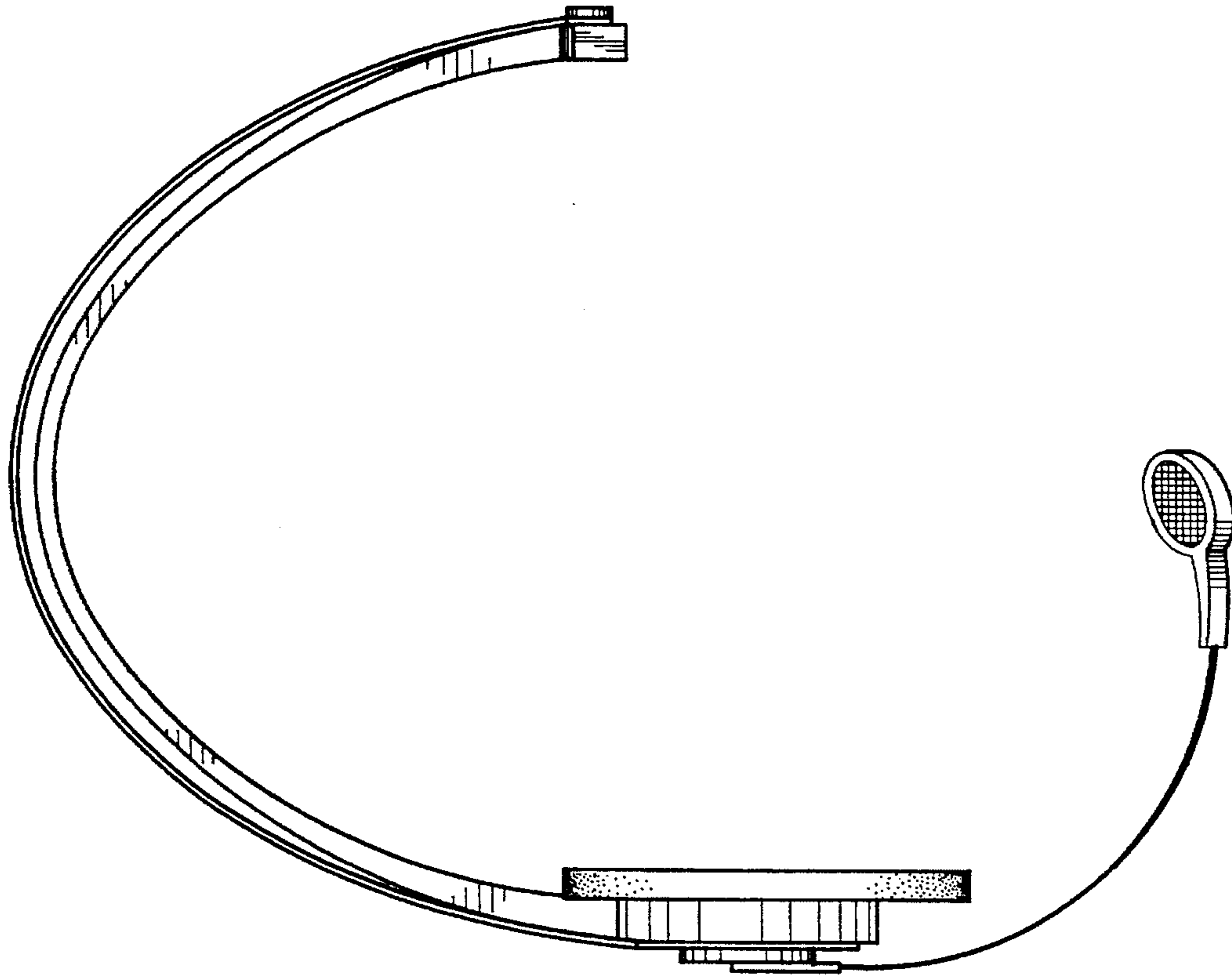


FIG. 3

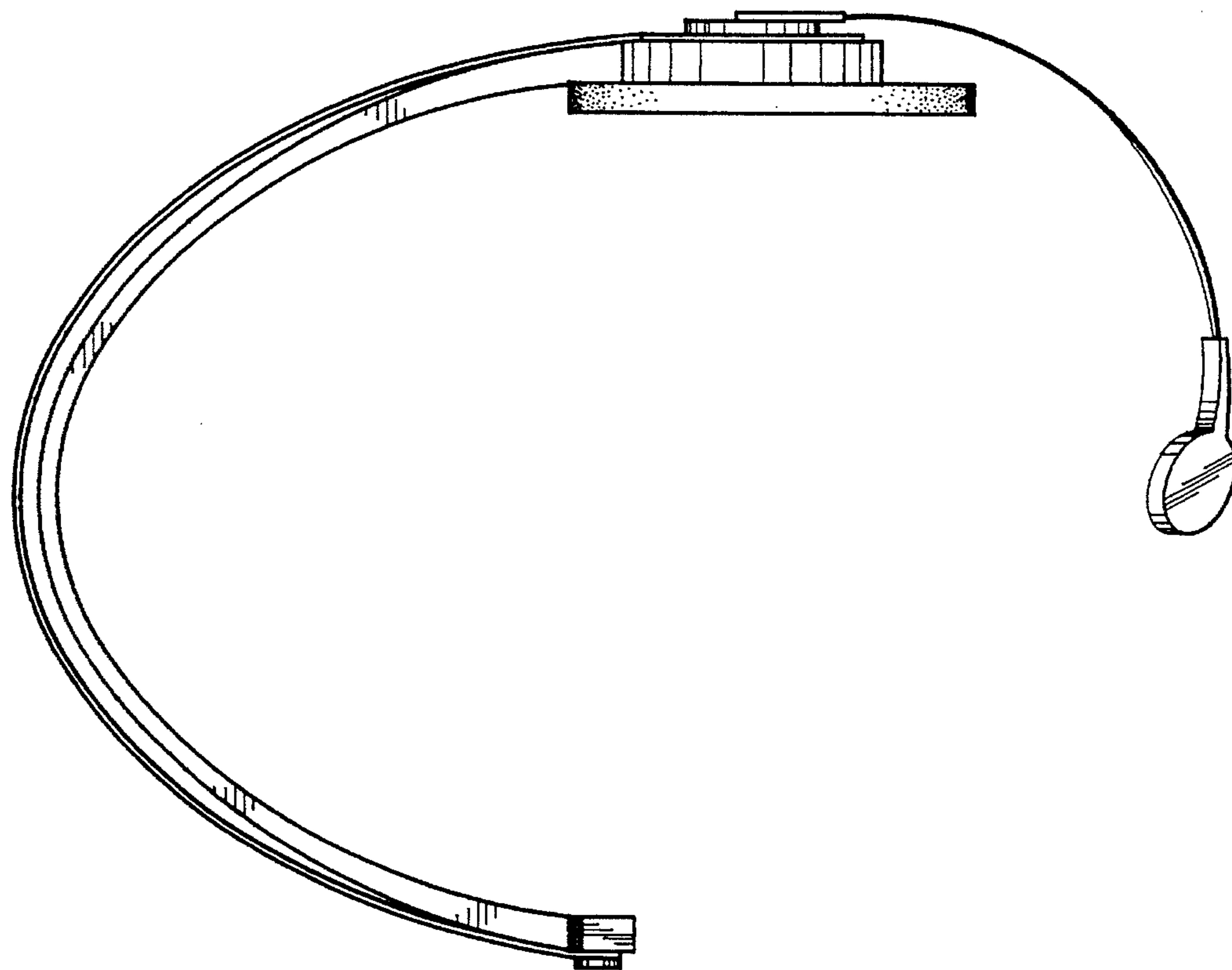


FIG. 2

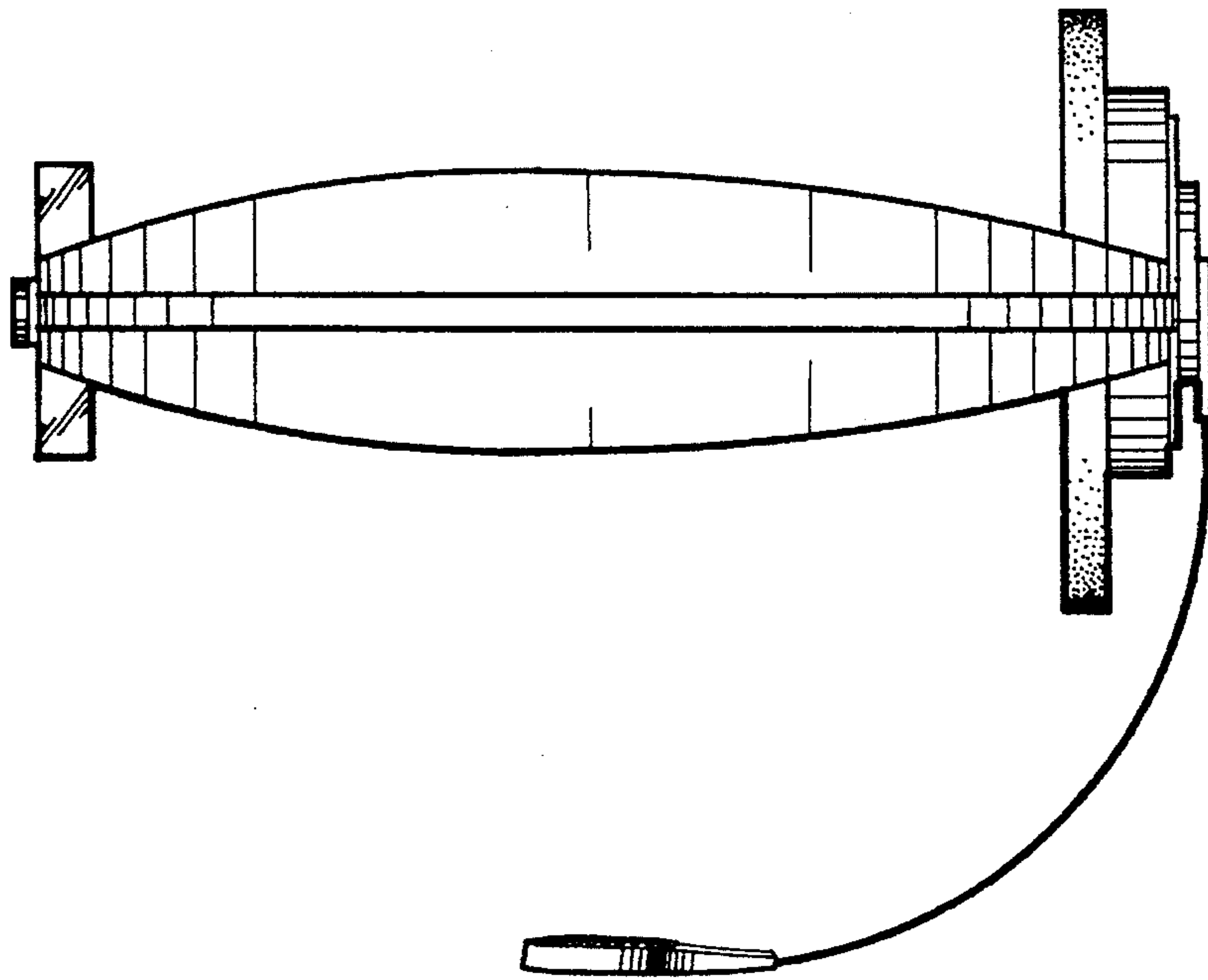


FIG. 4

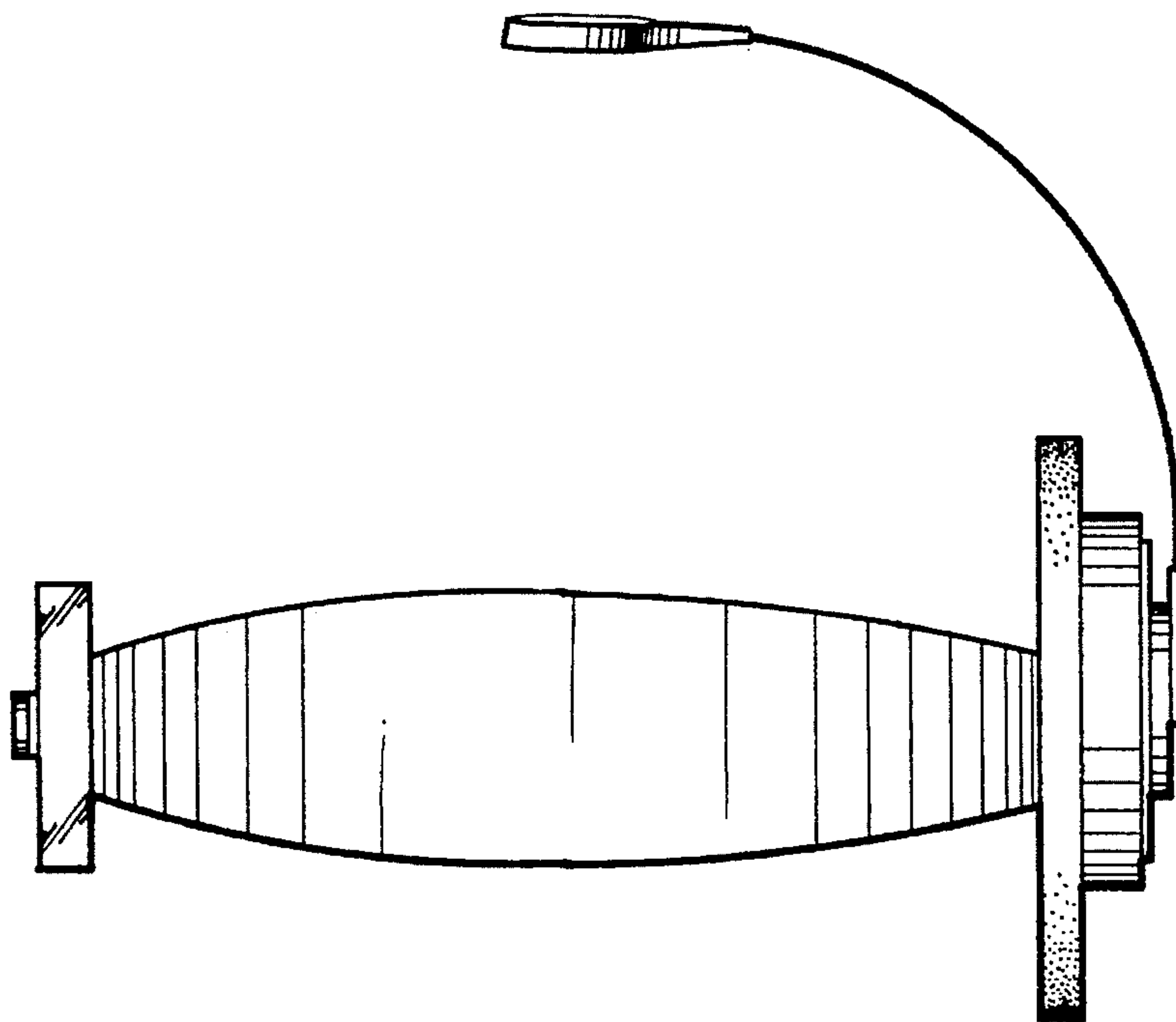


FIG. 5

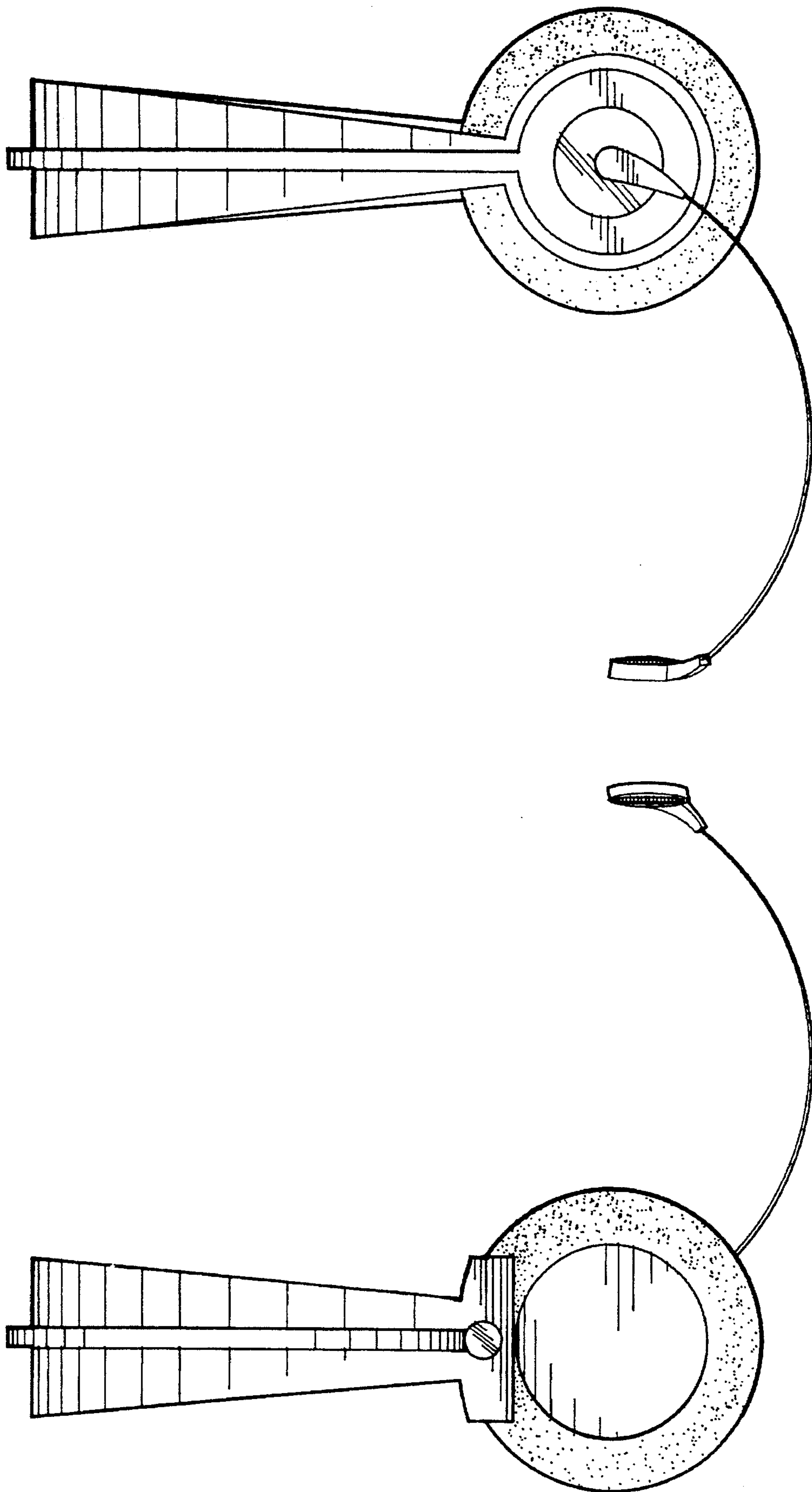


FIG. 7

FIG. 6