



US00D36555S

United States Patent [19]

[11] Patent Number: **Des. 365,555**

Fukutani et al.

[45] Date of Patent: ****Dec. 26, 1995**

[54] FACSIMILE TRANSCEIVER

[75] Inventors: **Yoshifumi Fukutani**, Chiba; **Shin-ichi Hiroki**; **Mayumi Watanabe**, both of Tokyo; **Masahiko Kashiwabara**, Yokohama, all of Japan

[73] Assignee: **Kabushiki Kaisha Toshiba**, Kawasaki, Japan

[**] Term: **14 Years**

[21] Appl. No.: **20,388**

[22] Filed: **Mar. 25, 1994**

[30] Foreign Application Priority Data

Sep. 30, 1993	[JP]	Japan	5-29622
Sep. 30, 1993	[JP]	Japan	5-29624

[52] U.S. Cl. **D14/118**

[58] Field of Search D14/118, 249, D14/124, 116; D18/36, 37; 358/400, 401

[56] References Cited

U.S. PATENT DOCUMENTS

D. 334,923	4/1993	Dodge et al.	D14/118
D. 355,905	2/1995	Takeuchi	D14/118
D. 355,907	2/1995	Takeuchi	D14/118
5,166,812	11/1992	Dow et al.	358/400 X
5,329,377	7/1994	Gregg	358/400
5,387,980	2/1995	Baitz et al.	358/400

OTHER PUBLICATIONS

Panasonic Catalog Penafax B77.
Sharp Catalog OF-58/58H.
OKI Catalog OF-58/58H.
Canon Catalog 1505.

Primary Examiner—Prabhakar G. Deshmukh
Attorney, Agent, or Firm—Oblon, Spivak, McClelland, Maier, & Neustadt

[57] CLAIM

The ornamental design for a facsimile transceiver, as shown.

DESCRIPTION

FIG. 1 is a front, top and right side perspective view of a facsimile transceiver, showing our new design;
FIG. 2 is a top plan view thereof;
FIG. 3 is a front elevational view thereof;
FIG. 4 is a bottom plan view thereof;
FIG. 5 is a right side elevational view thereof;
FIG. 6 is a left side elevational view thereof;
FIG. 7 is a rear elevational view thereof;
FIG. 8 is a front, top and right side perspective view of a second embodiment of the facsimile transceiver;
FIG. 9 is a top plan view thereof;
FIG. 10 is a front elevational view thereof;
FIG. 11 is a bottom plan view thereof;
FIG. 12 is a right side elevational view thereof;
FIG. 13 is a left side elevational view thereof; and,
FIG. 14 is a rear elevational view thereof.

1 Claim, 6 Drawing Sheets

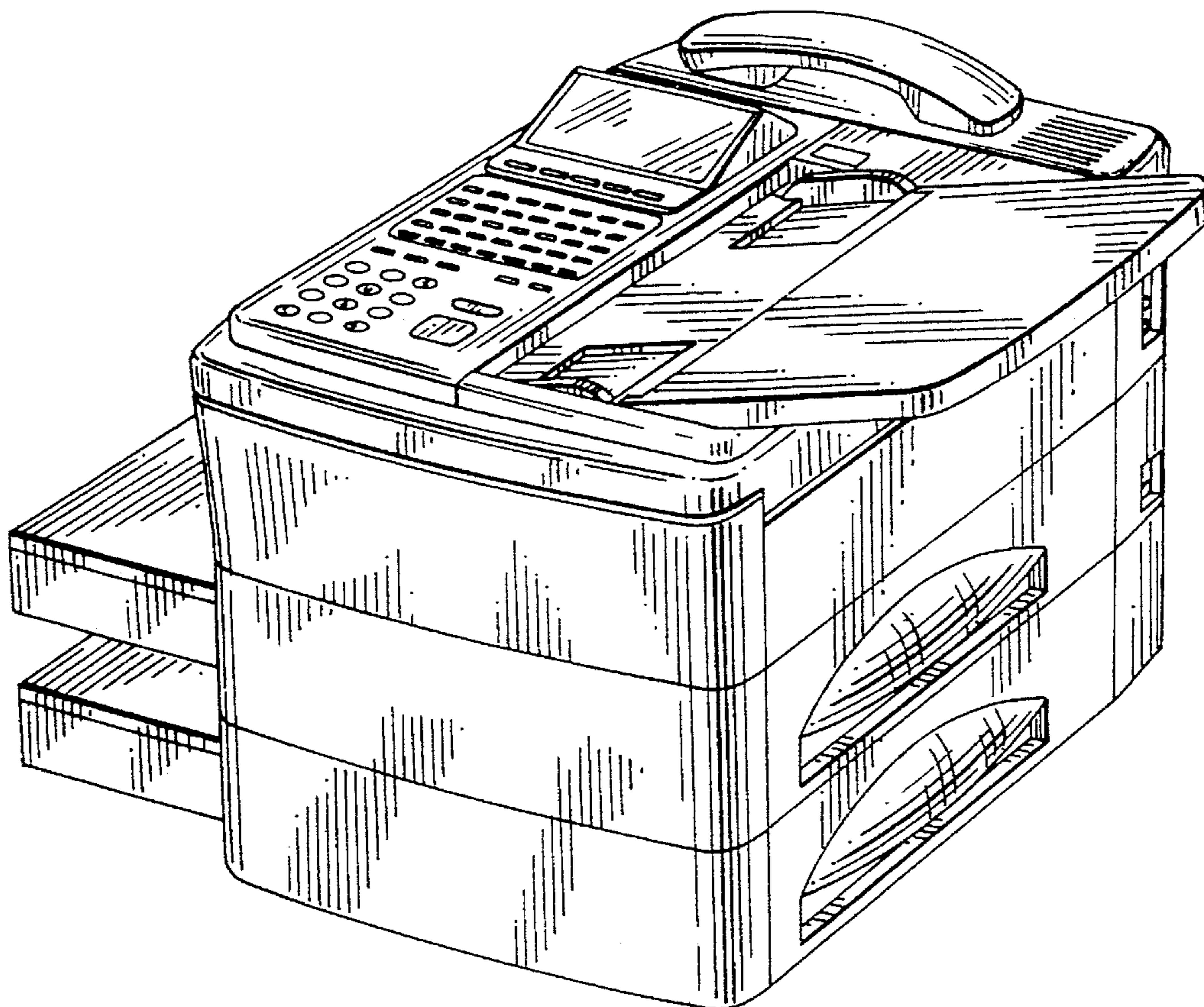


FIG. 1

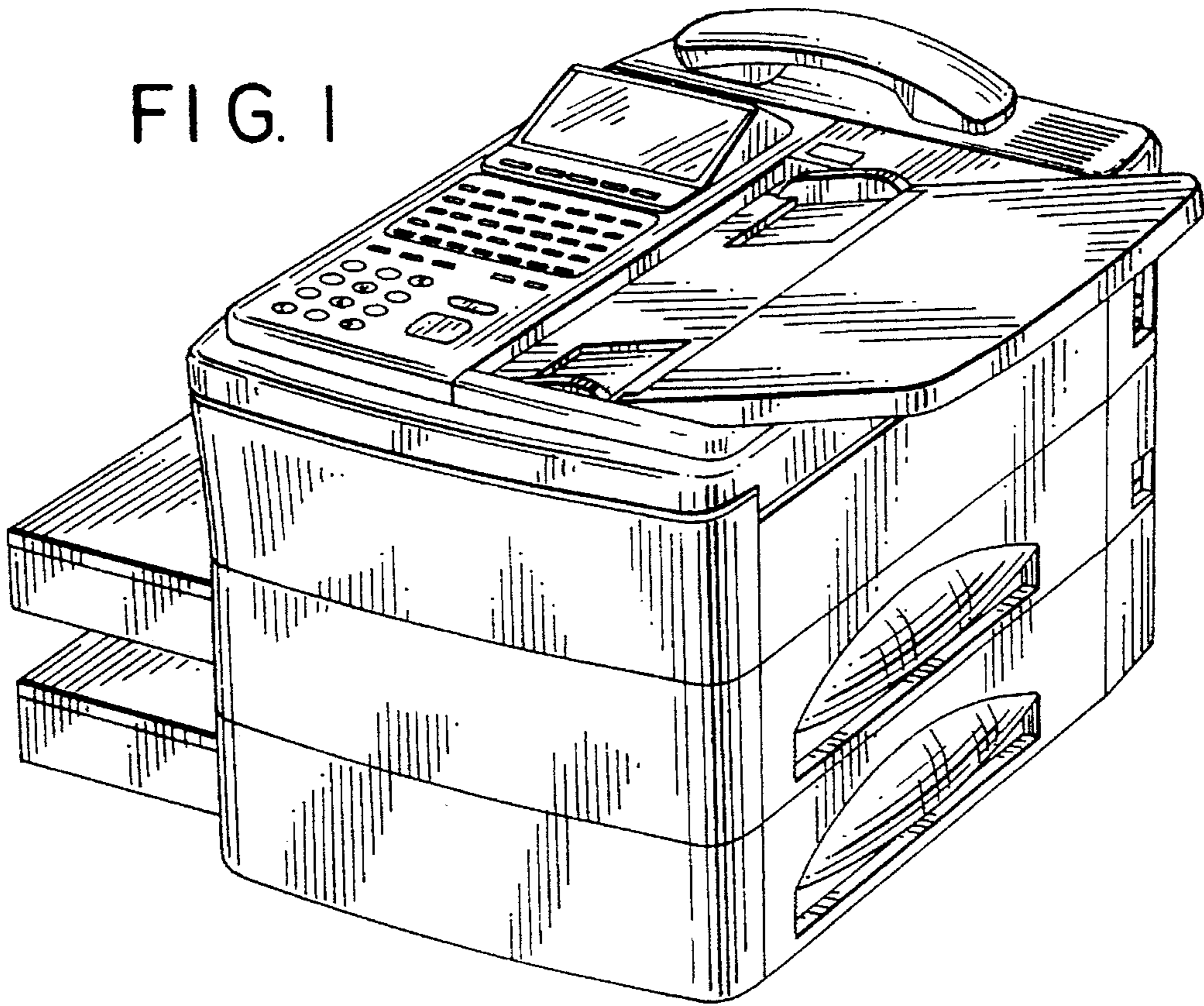


FIG. 2

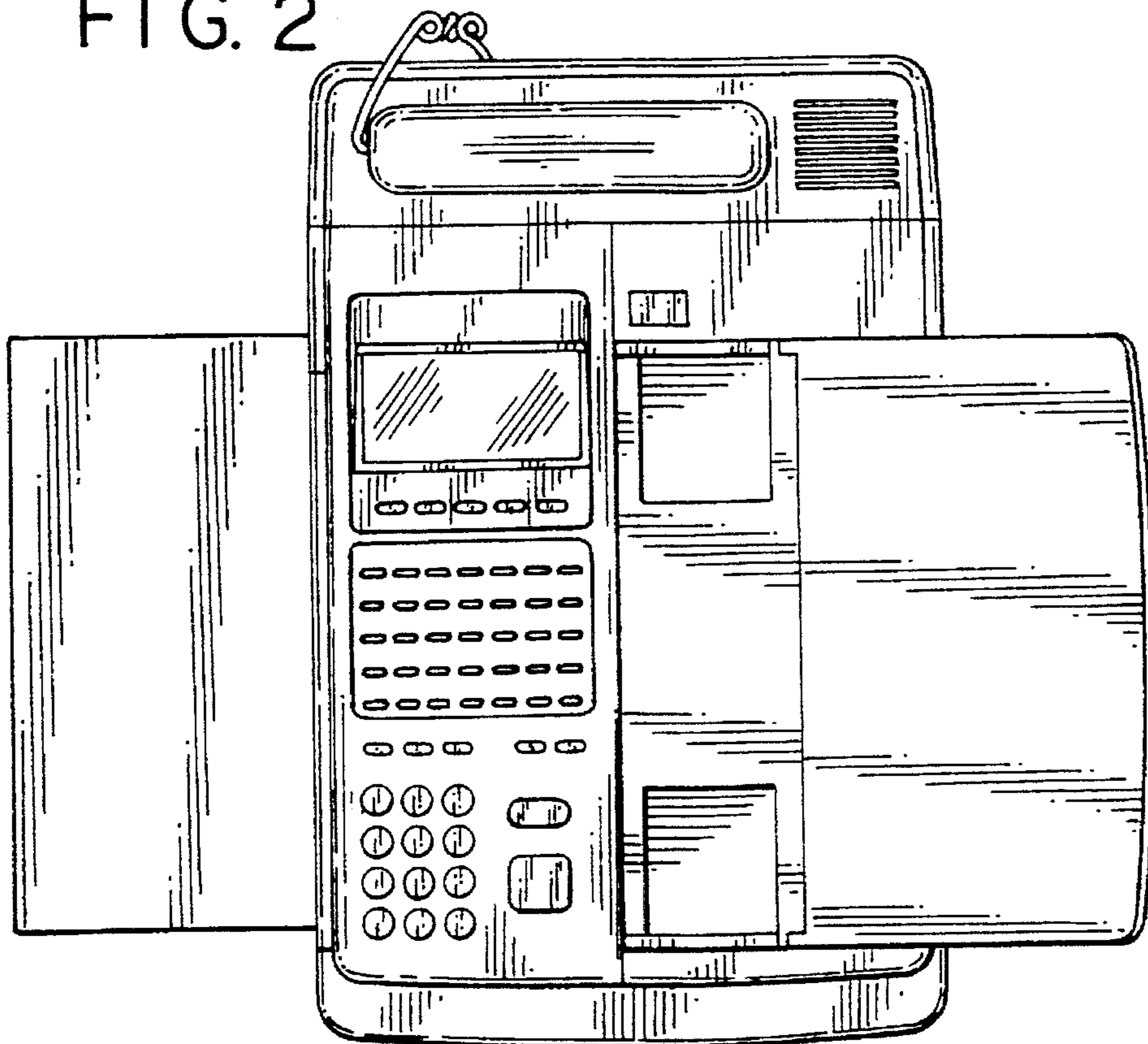


FIG. 3

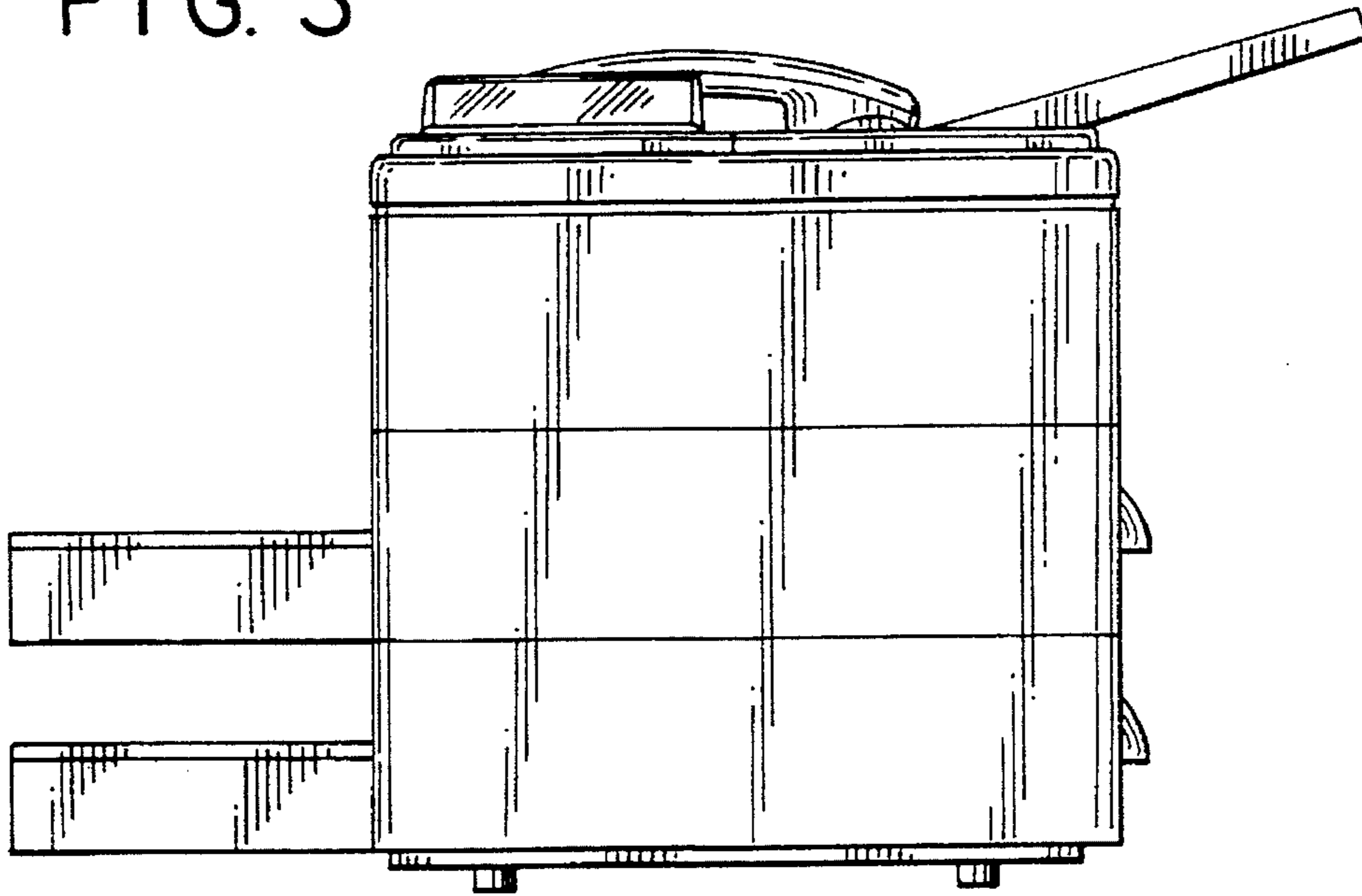


FIG. 4

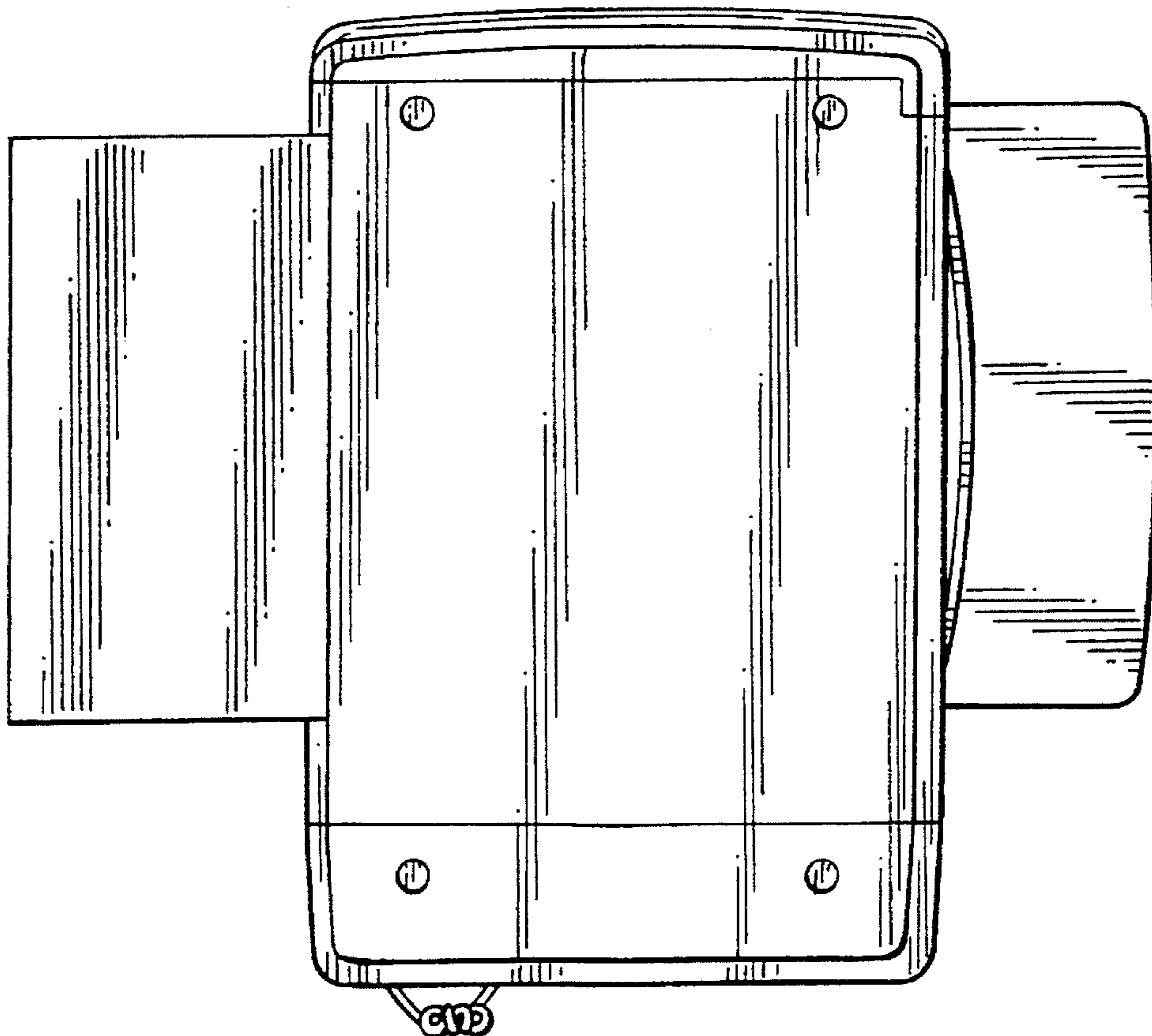


FIG. 5

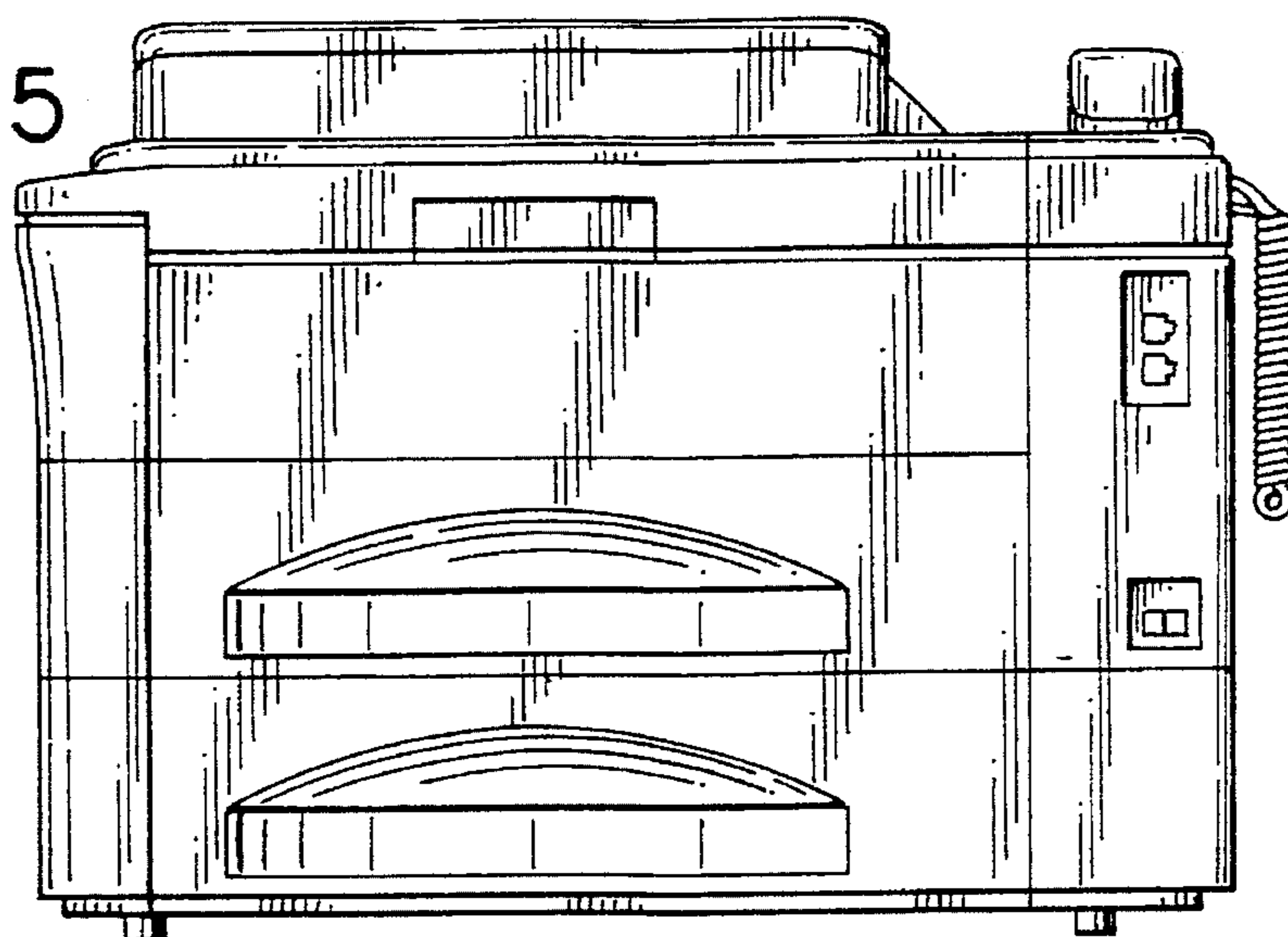


FIG. 6

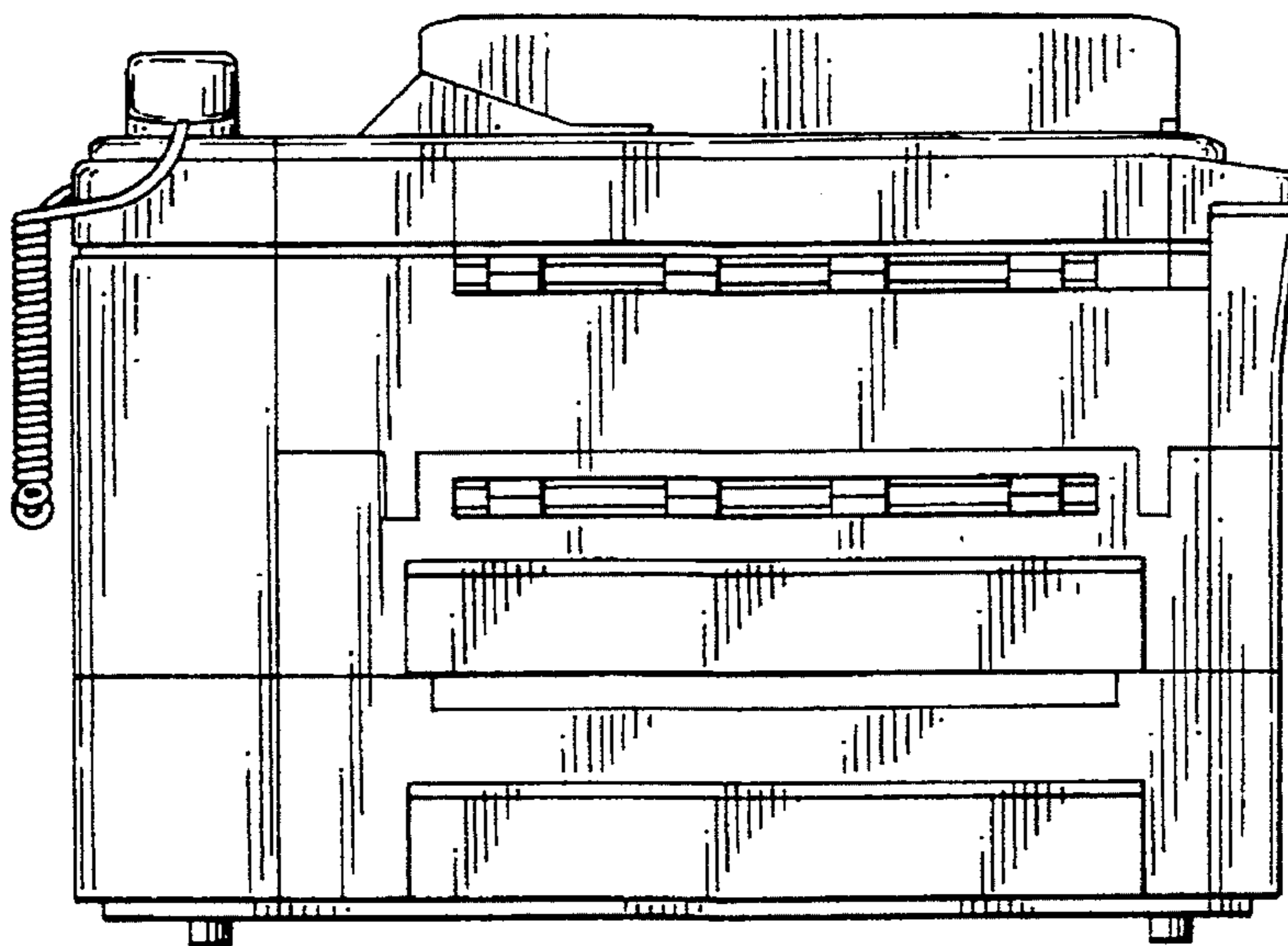


FIG. 7

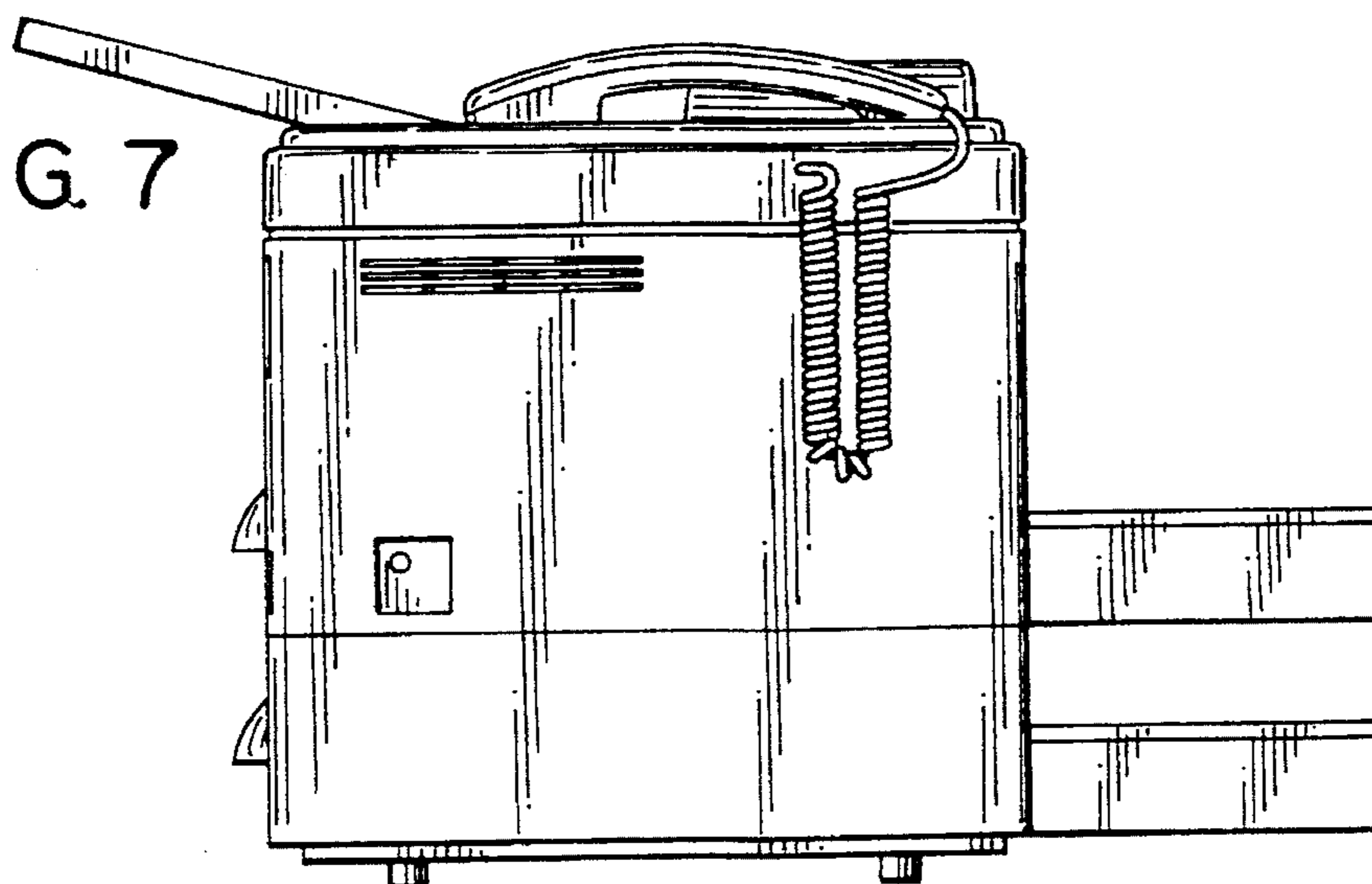


FIG. 8

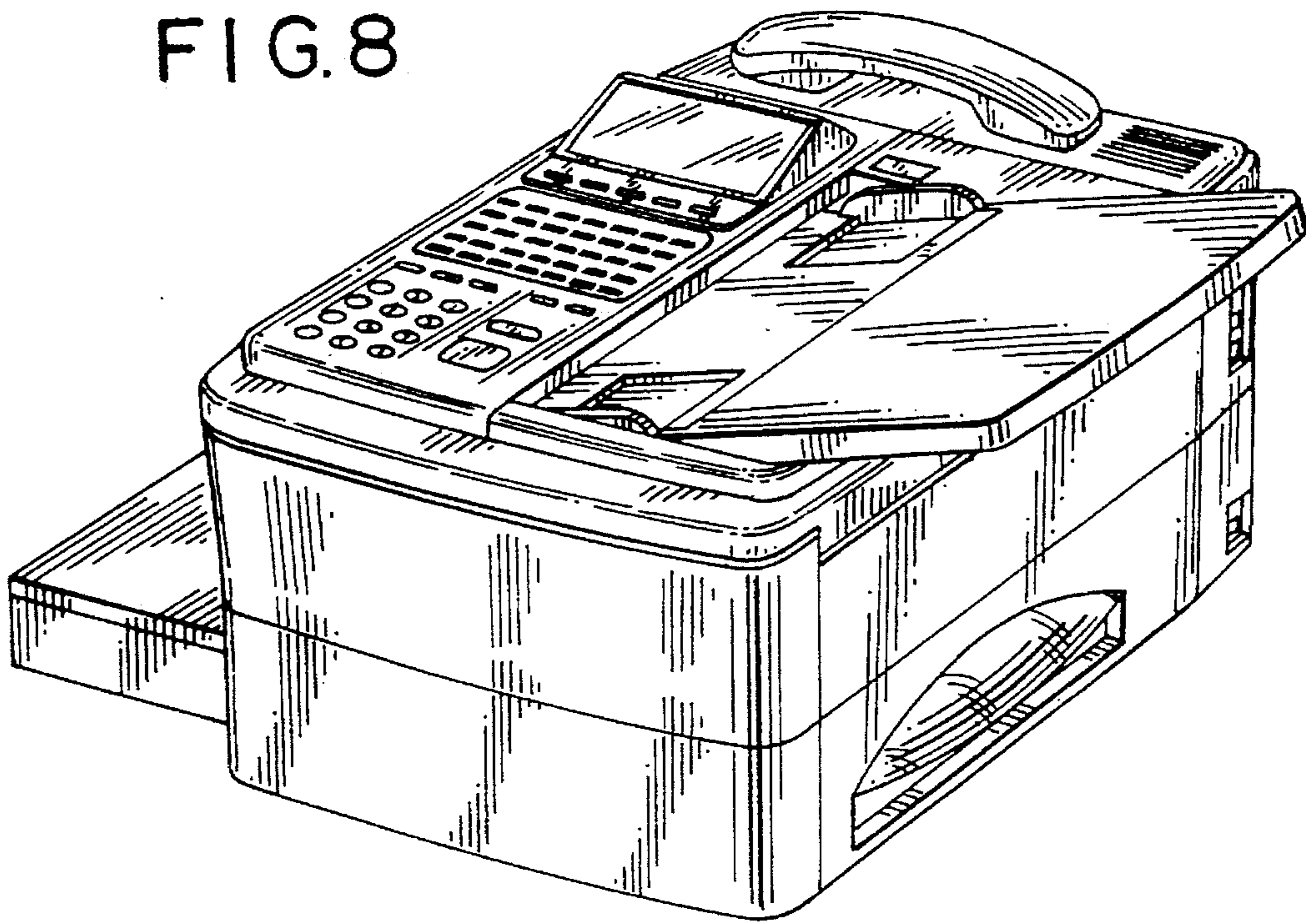


FIG. 9

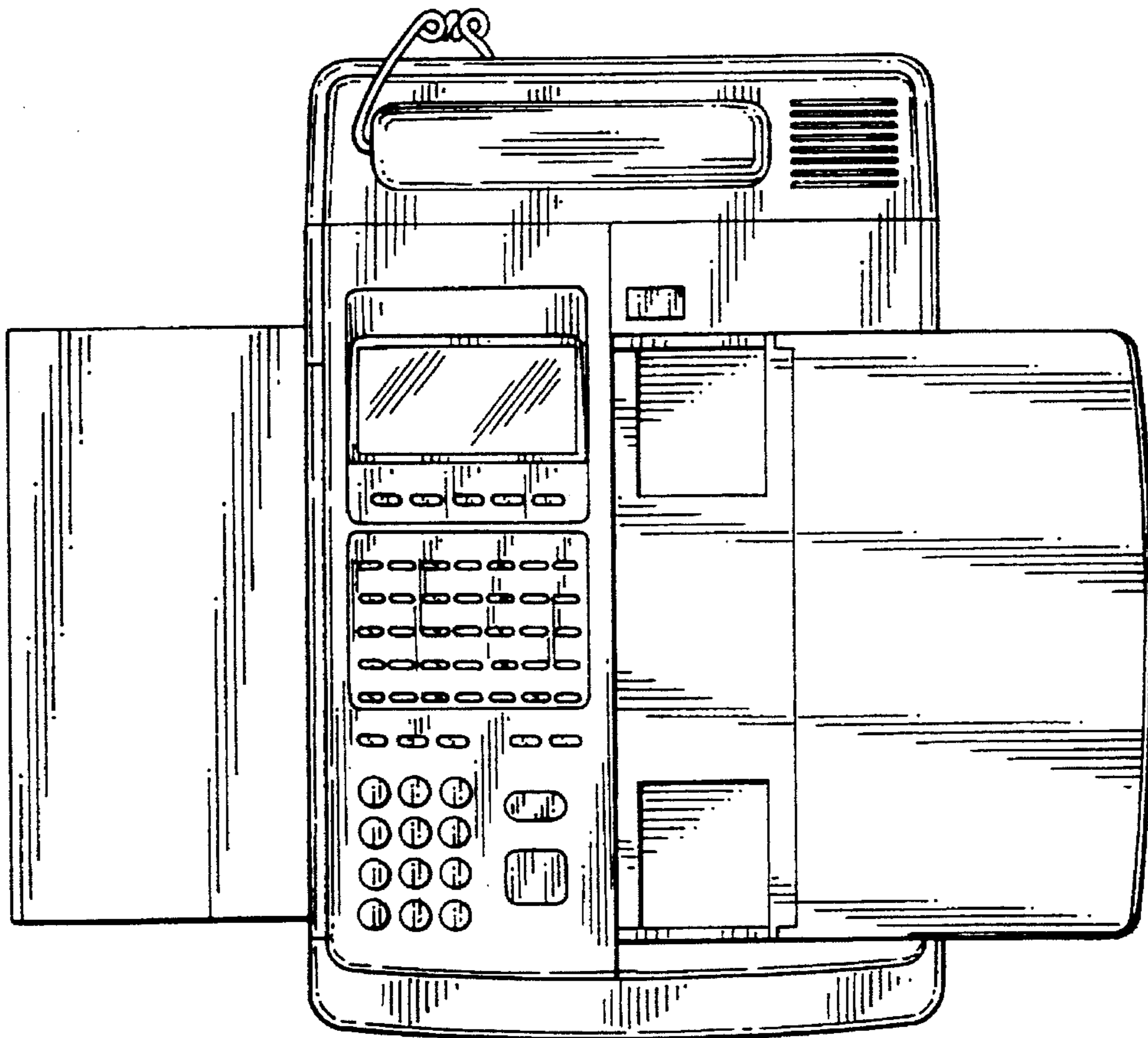


FIG. 10

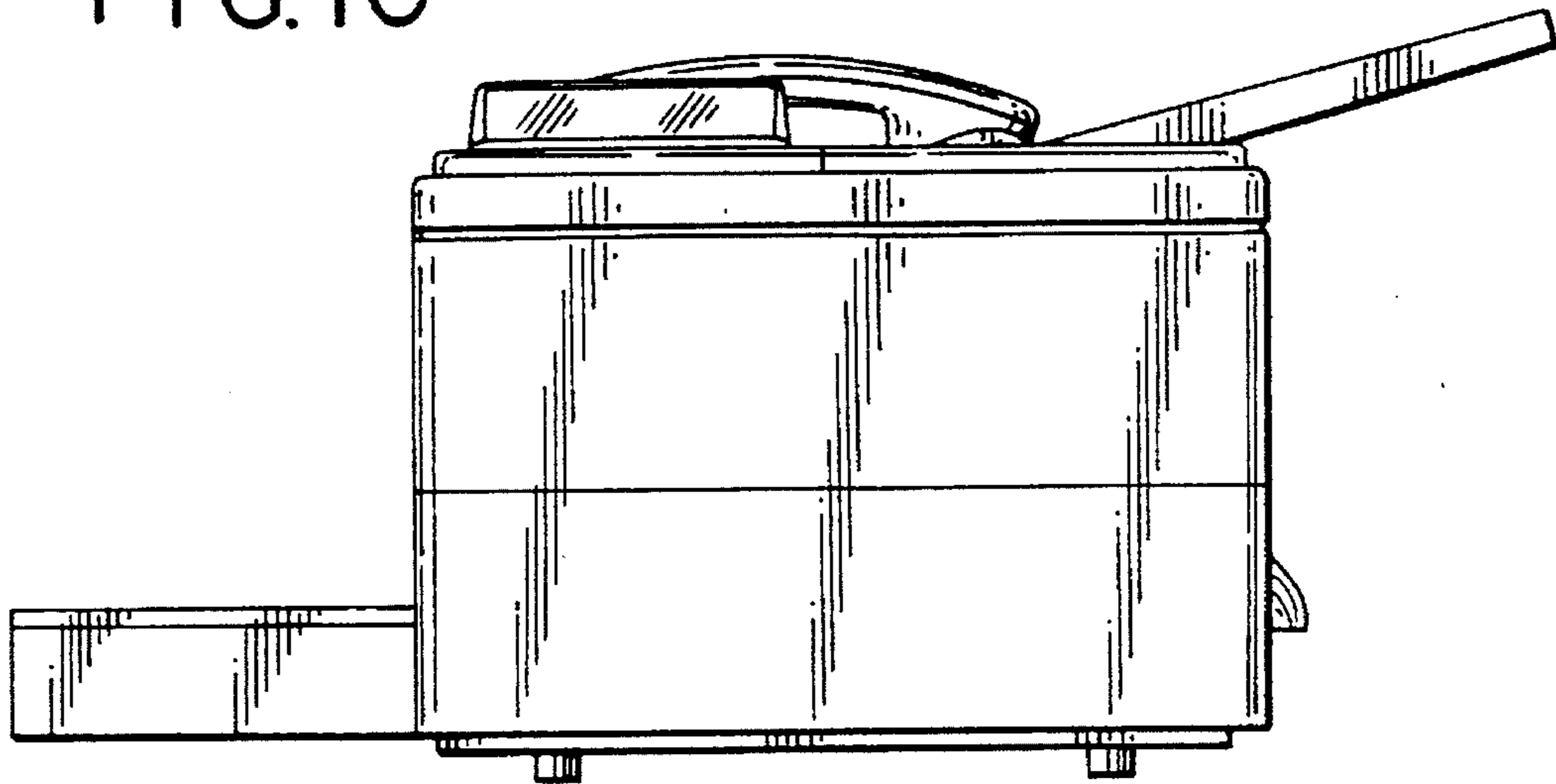


FIG. 11

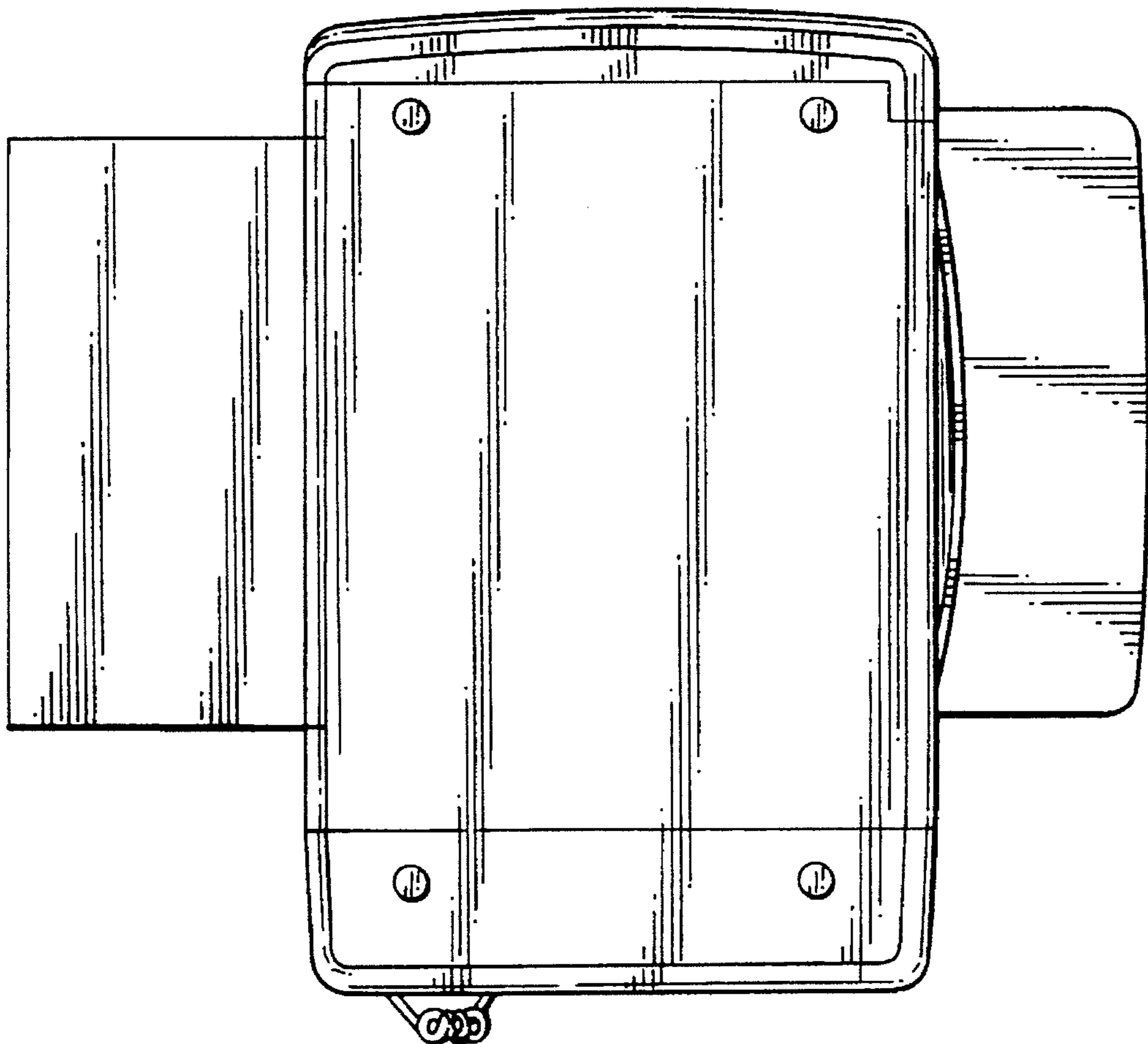


FIG. 12

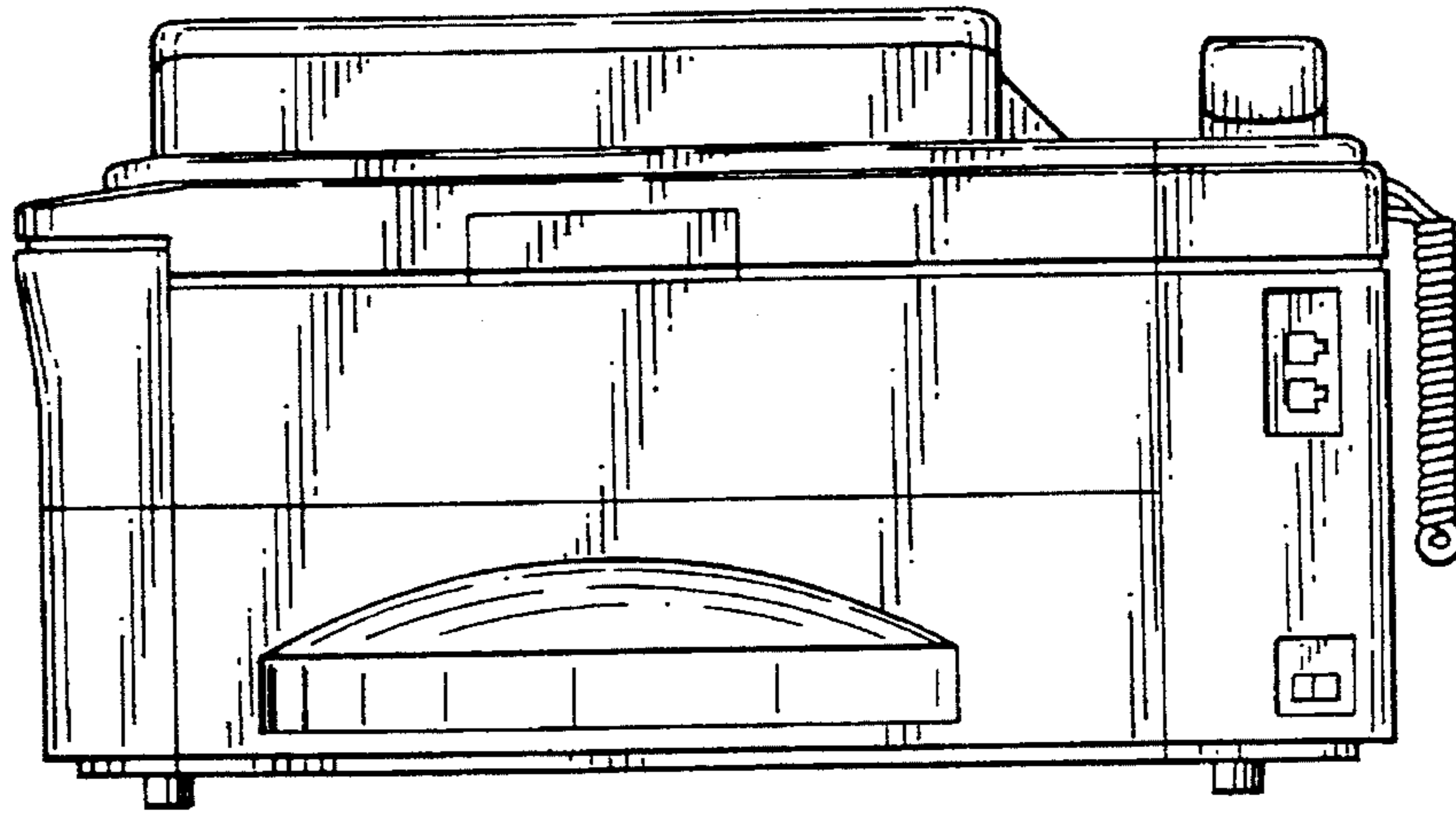


FIG. 13

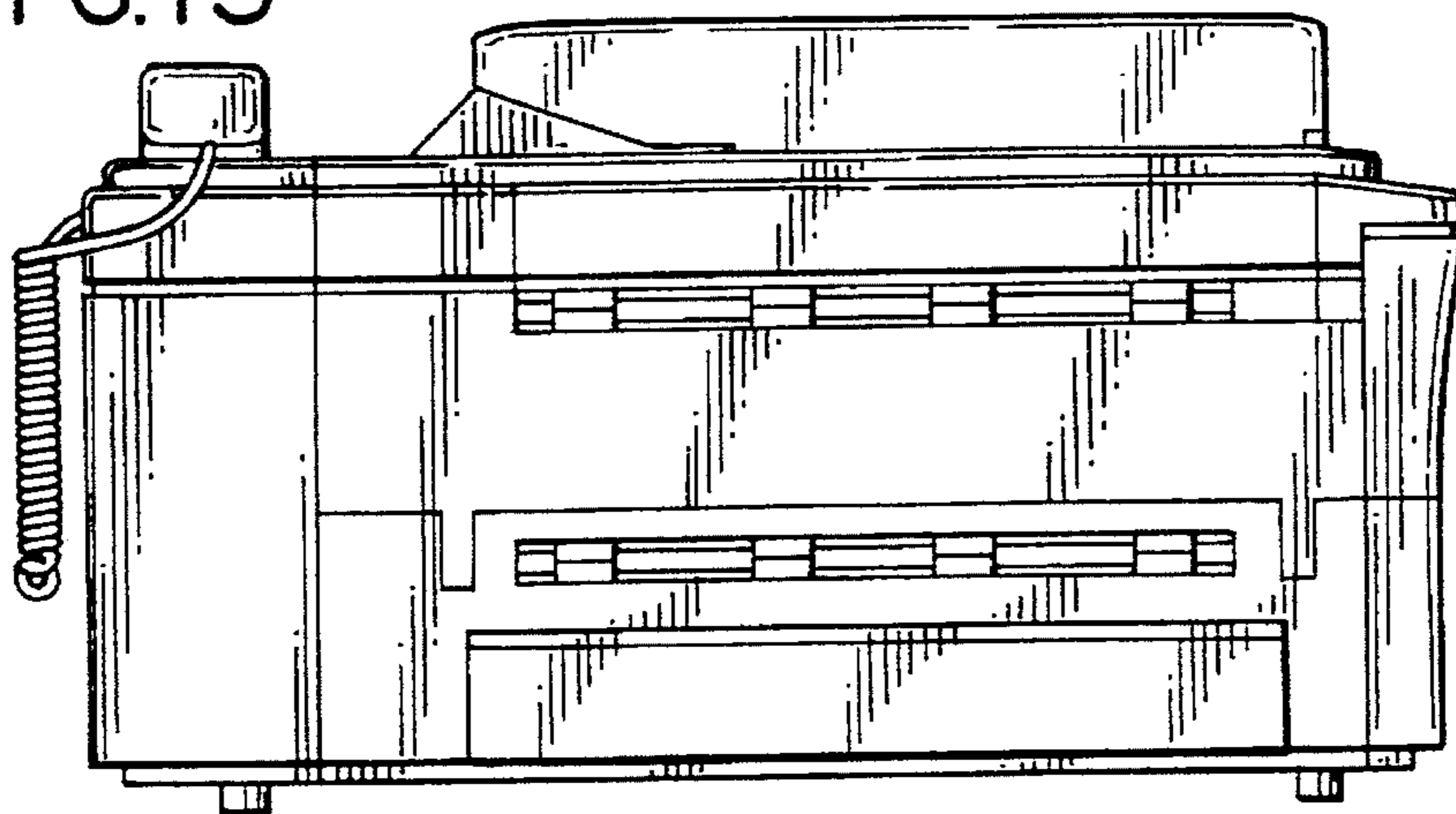


FIG. 14

