



US00D365553S

# United States Patent [19]

Reiter et al.

[11] Patent Number: **Des. 365,553**

[45] Date of Patent: **\*\*Dec. 26, 1995**

- [54] **BEZEL FOR A HARD-DISK DRIVE TRAY ASSEMBLY**
- [75] Inventors: **Victor R. Reiter**, Huntington Beach;  
**Bao G. Le**, Orange, both of Calif.
- [73] Assignee: **AST Research, Inc.**, Irvine, Calif.
- [\*\*] Term: **14 Years**
- [21] Appl. No.: **25,291**
- [22] Filed: **Jun. 28, 1994**
- [52] U.S. Cl. .... **D14/115**
- [58] Field of Search ..... D14/100, 102,  
D14/107-109, 115, 257; D13/162, 184,  
199; 312/223.2; 358/249, 254; 361/600,  
622, 714-728

D. 314,195 1/1991 Cooke et al. .... D14/115

*Primary Examiner*—Freda Nunn  
*Attorney, Agent, or Firm*—Lyon & Lyon

### [57] CLAIM

The ornamental design for a bezel for a hard-disk drive tray assembly, as shown and described.

### DESCRIPTION

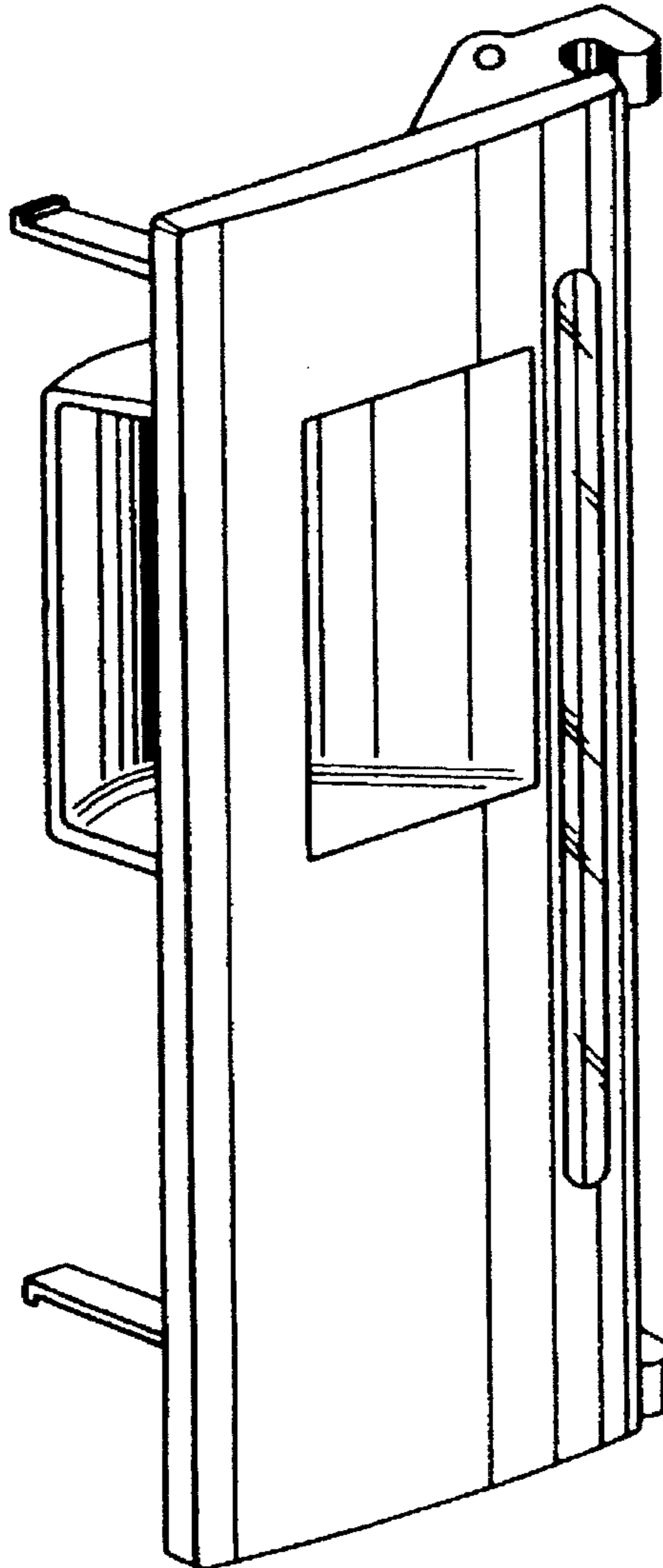
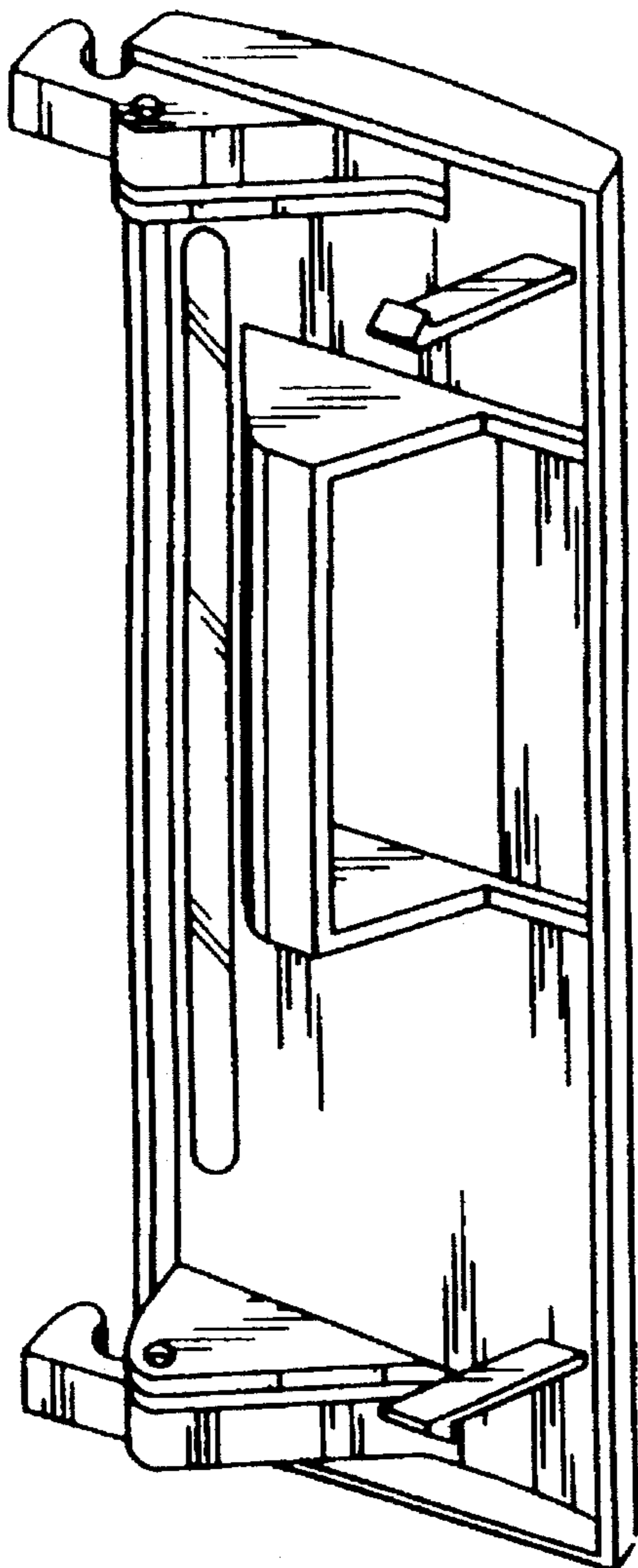
FIG. 1 is a rear perspective view of the bezel of the present invention;  
 FIG. 2 is a frontal perspective view thereof;  
 FIG. 3 is a top view thereof the bottom view being a mirror image;  
 FIG. 4 is a front elevational view;  
 FIG. 5 is a rear elevational view;  
 FIG. 6 is a side elevational view; and,  
 FIG. 7 is an opposite side view thereof.

### [56] References Cited

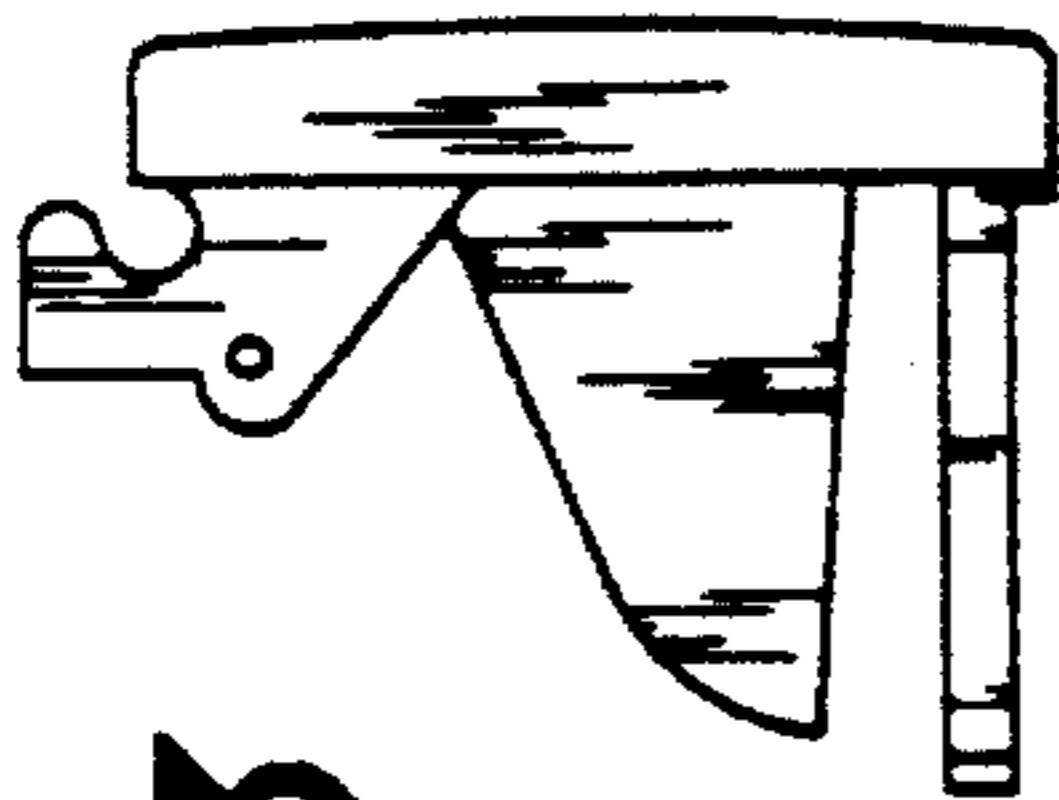
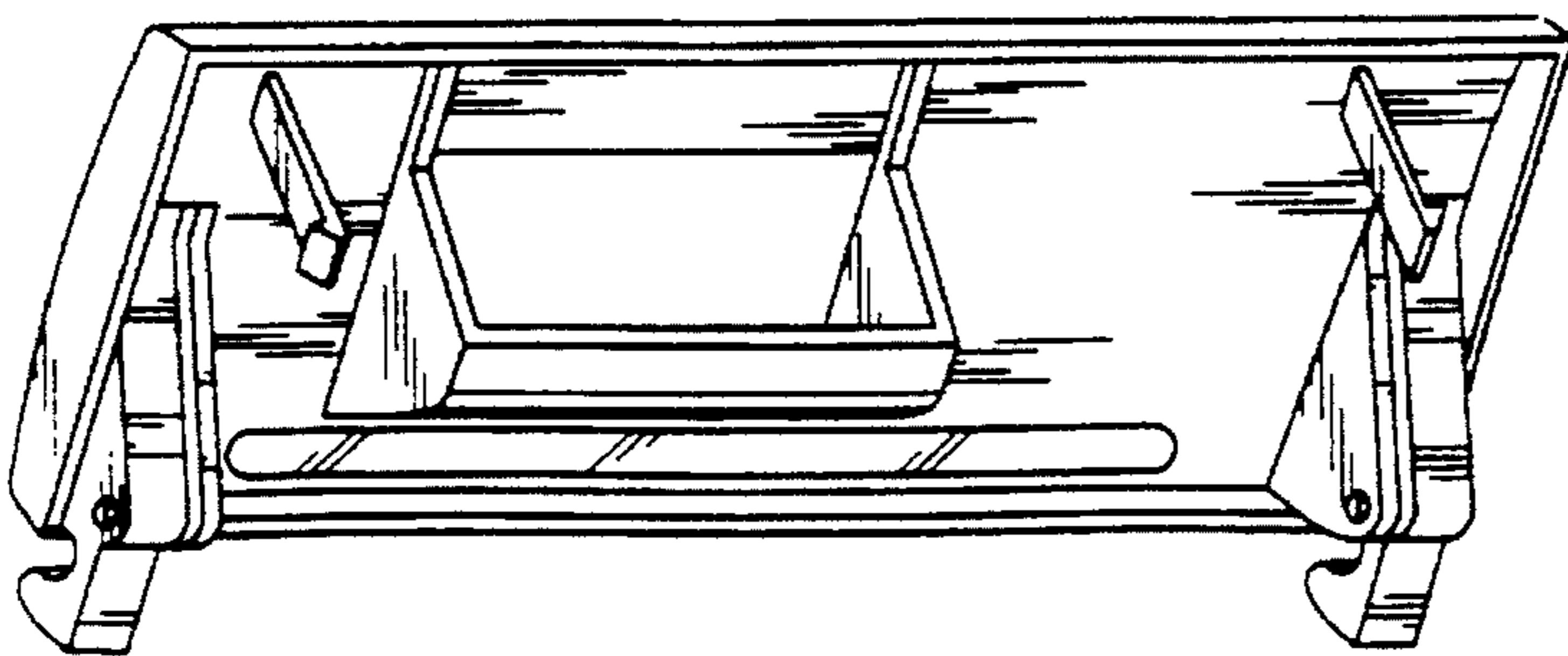
U.S. PATENT DOCUMENTS

D. 304,333 10/1989 Kerezman et al. .... D14/115 X

1 Claim, 1 Drawing Sheet

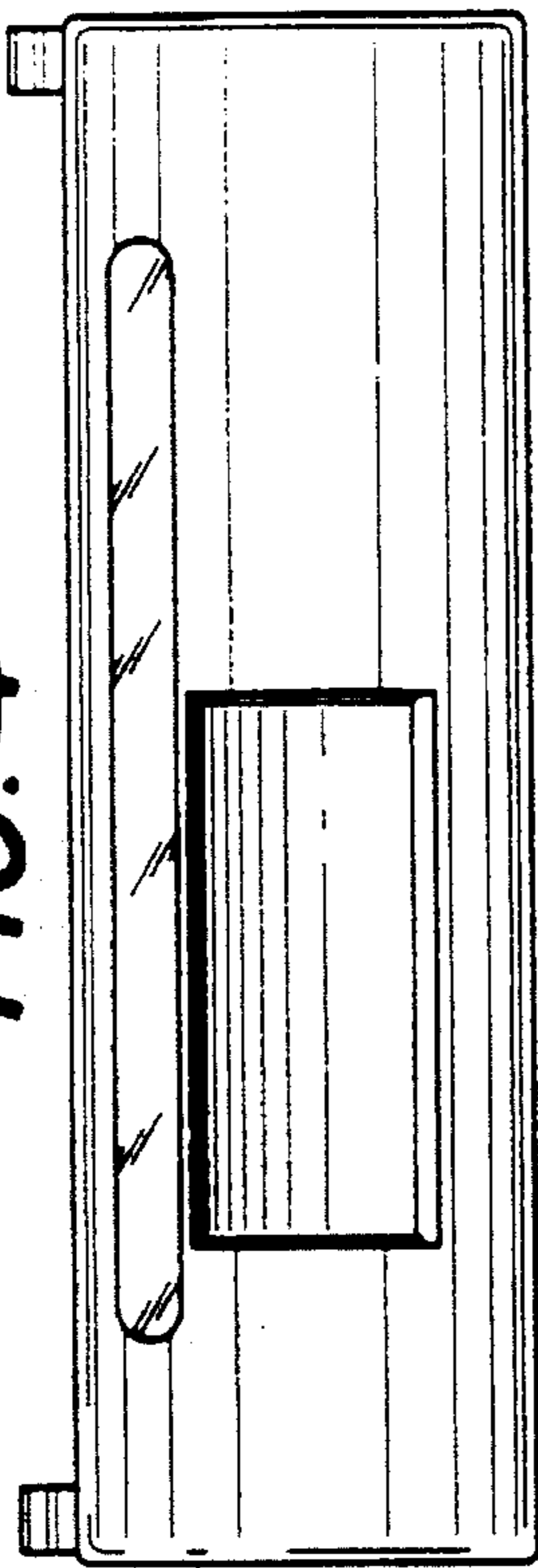


**FIG. 1**

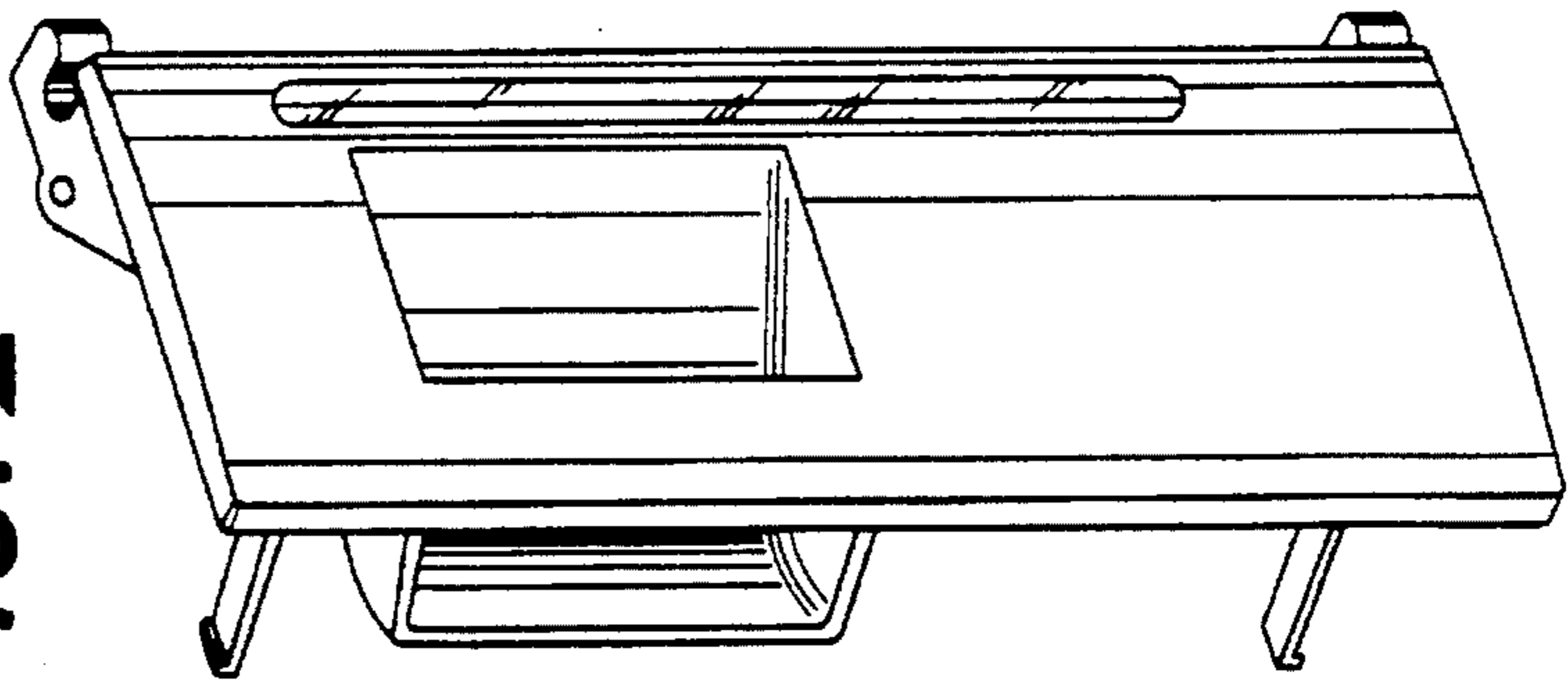


**FIG. 3**

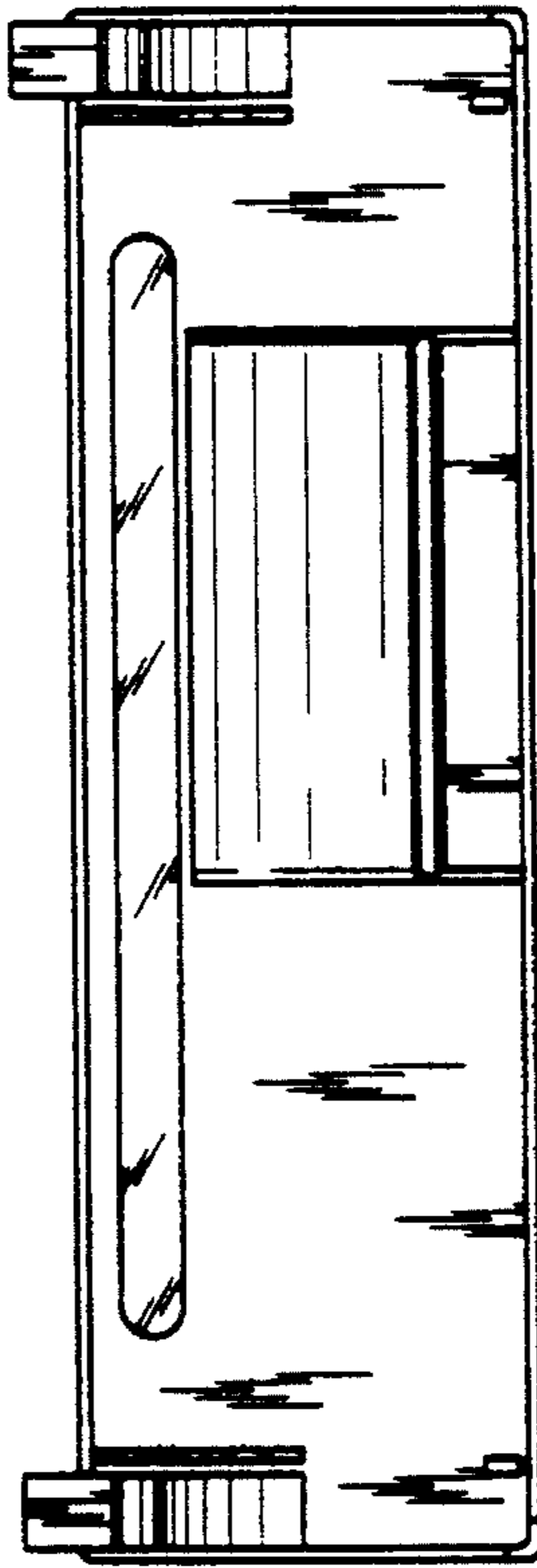
**FIG. 4**



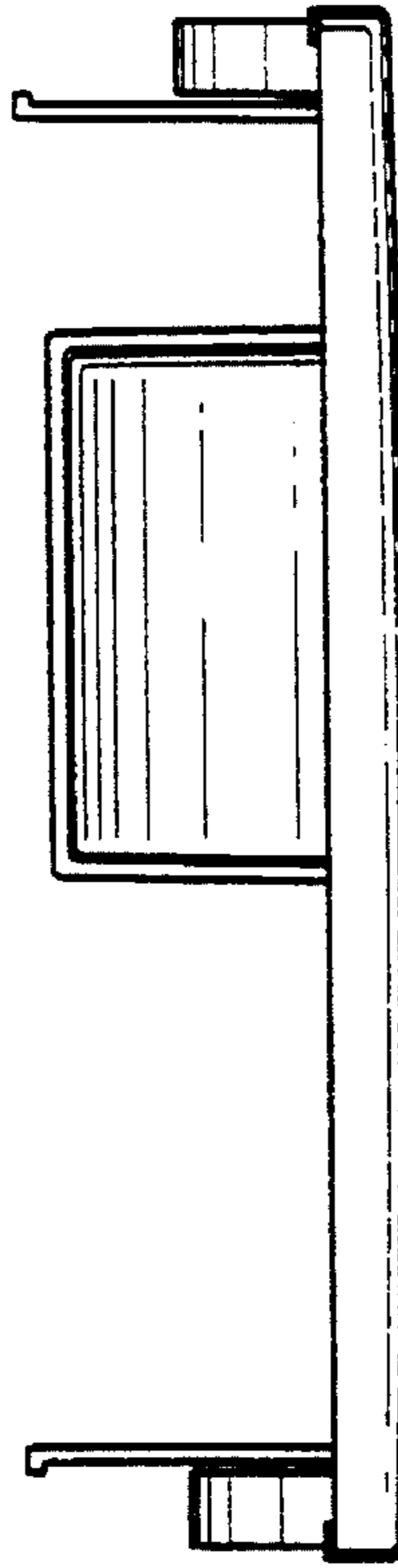
**FIG. 2**



**FIG. 5**



**FIG. 6**



**FIG. 7**

