



US00D365543S

# United States Patent [19]

[11] Patent Number: **Des. 365,543**

**Deary**

[45] Date of Patent: **\*\*Dec. 26, 1995**

[54] **SMOKE REMOVAL VENT FOR VEHICLE WINDOW**

668608 3/1952 United Kingdom ..... 454/131

[76] Inventor: **Reynaldo M. Deary**, 1224 Turtle Creek Dr., Brownsville, Tex. 78520

*Primary Examiner*—A. Hugo Word  
*Assistant Examiner*—Lavone D. Tabor  
*Attorney, Agent, or Firm*—Richard C. Litman

[\*\*] Term: **14 Years**

[57] **CLAIM**

[21] Appl. No.: **32,606**

The ornamental design for a smoke removal vent for vehicle window, as shown and described.

[22] Filed: **Dec. 21, 1994**

[52] U.S. Cl. .... **D12/181**

### DESCRIPTION

[58] Field of Search ..... D12/181, 400;  
296/180.1; 454/128, 131, 135

FIG. 1 is an environmental view of a smoke removal vent for vehicle window showing my new design installed in a vehicle;

[56] **References Cited**

#### U.S. PATENT DOCUMENTS

1,741,502	12/1929	Crowell .	
2,034,528	3/1936	Oakes .	
3,726,207	4/1973	Young .....	454/135
3,866,524	2/1975	Forbes, Jr. ....	454/131
5,014,607	5/1991	Johnson .	
5,284,377	2/1994	Krenciprock .	

FIG. 2 is a front elevational view thereof;

FIG. 3 is a rear elevational view thereof;

FIG. 4 is a top view thereof;

FIG. 5 is a bottom view thereof; and,

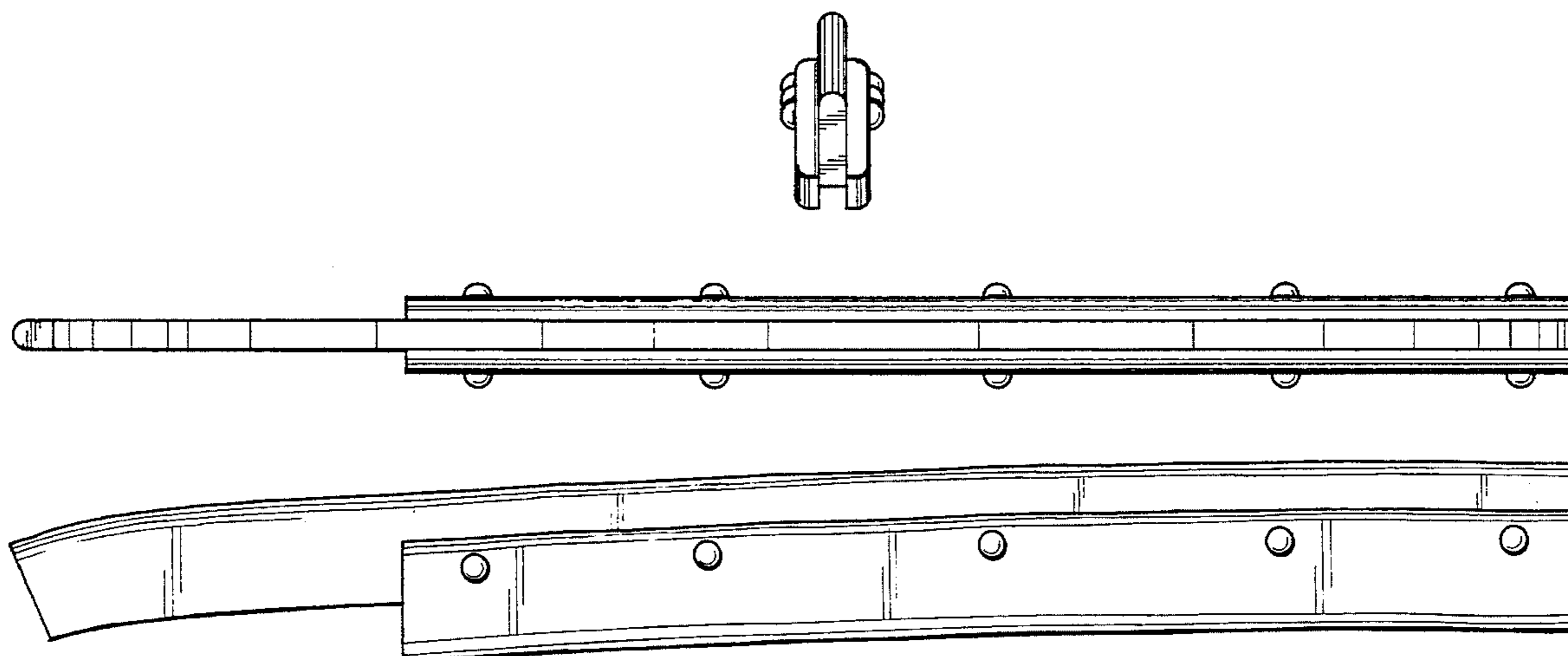
FIG. 6 is a right side elevational view with the left side being a mirror image thereof;

The broken line showing of the vehicle body, windscreen, door and side glass is for illustrative purposes only and forms no part of the claimed design.

#### FOREIGN PATENT DOCUMENTS

2829-241 1/1980 Germany ..... 454/131

**1 Claim, 2 Drawing Sheets**



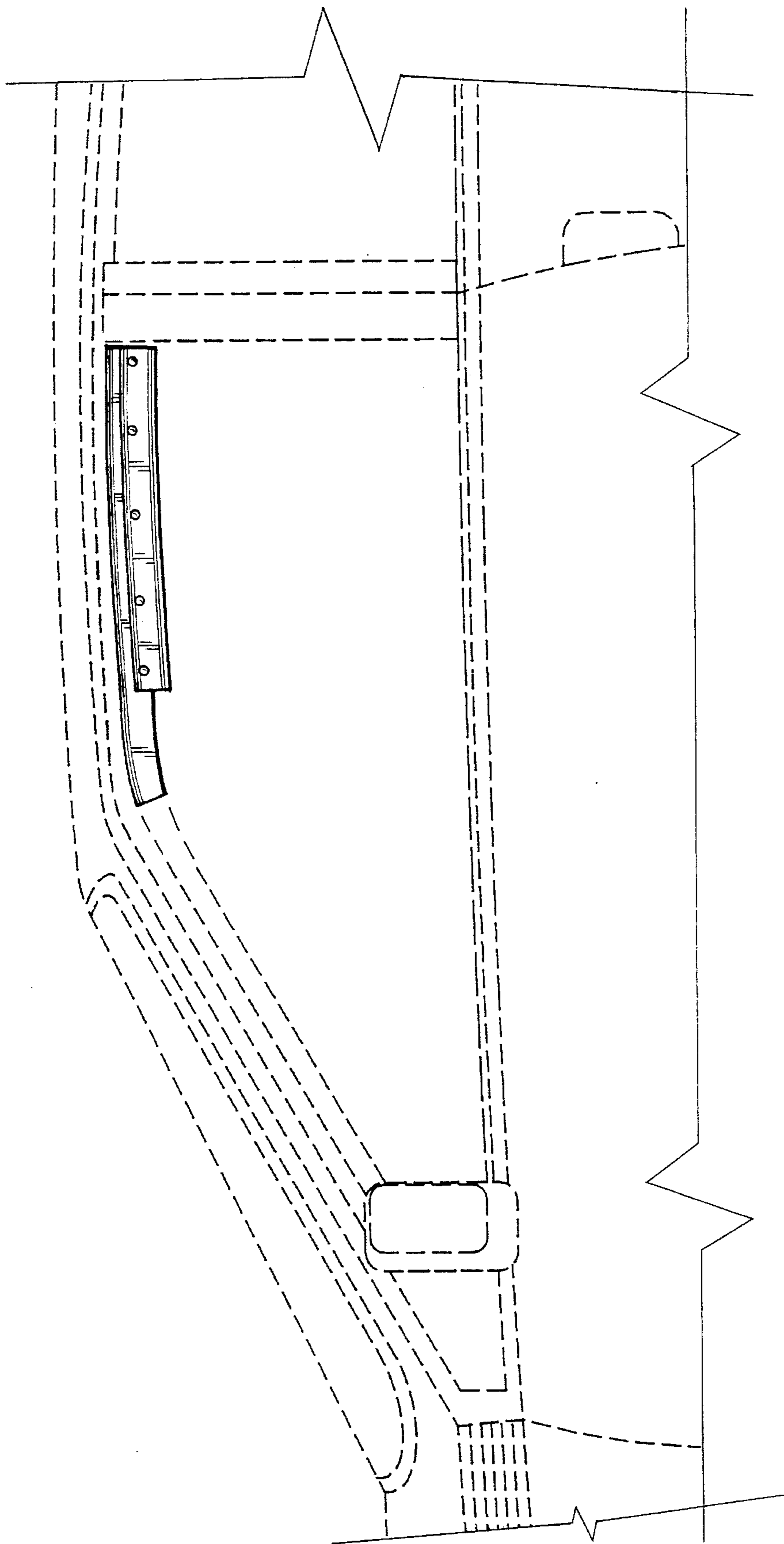


FIG. 1

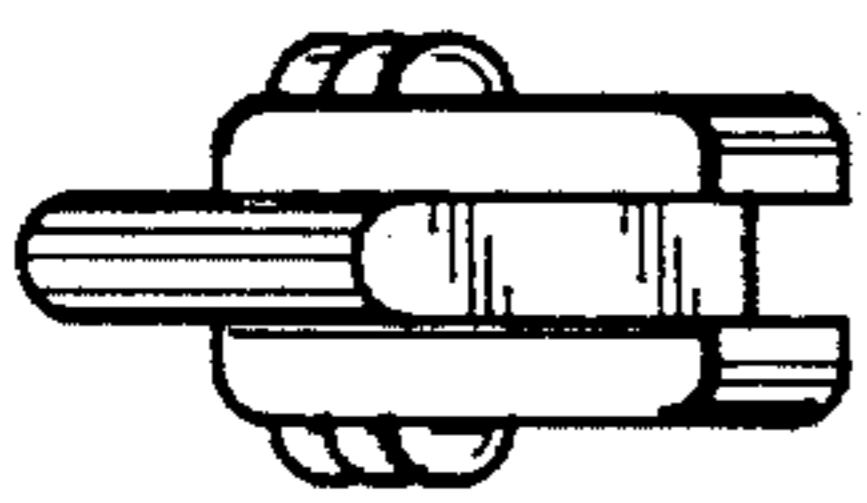


FIG. 2

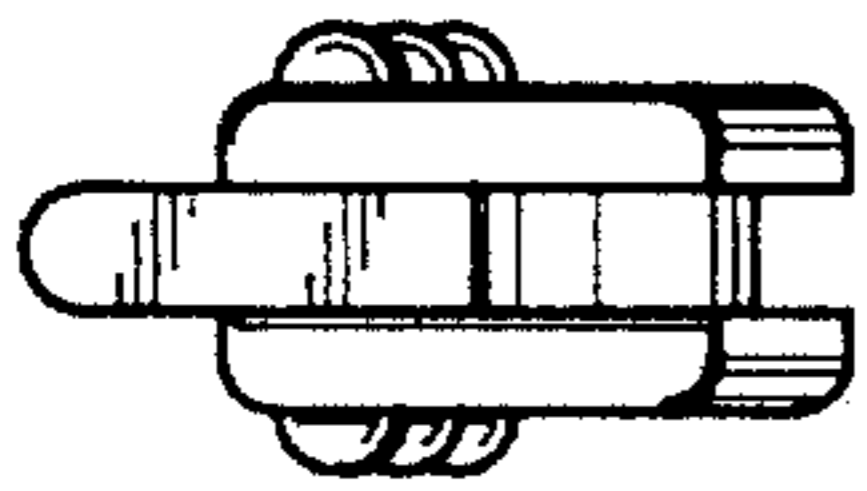


FIG. 3



FIG. 4

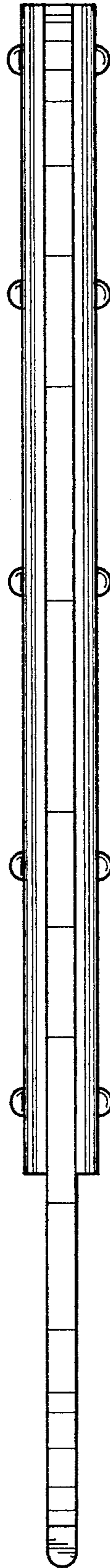


FIG. 5

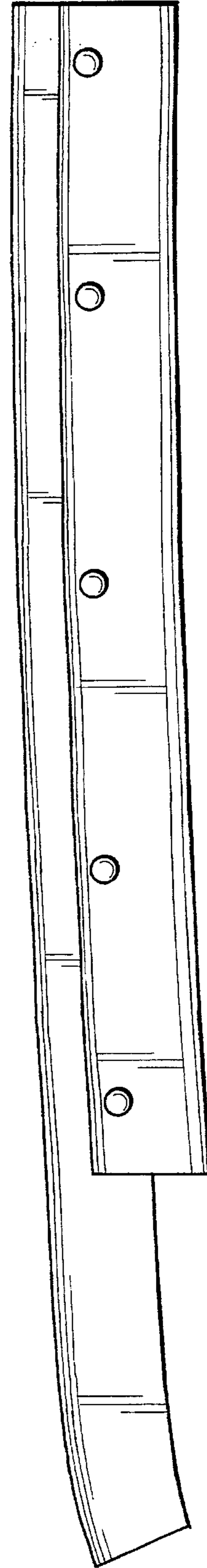


FIG. 6