



US00D365541S

**United States Patent** [19]

[11] **Patent Number: Des. 365,541**

**Hirsch et al.**

[45] **Date of Patent: \*\*Dec. 26, 1995**

[54] **TERRACOTTA POT INSERT**

4,571,883 2/1986 Shaw ..... 47/66  
5,375,370 12/1994 Zimmerman ..... 47/41.01  
5,435,714 9/1994 Washington ..... 47/66 D X

[76] Inventors: **Jeffrey G. Hirsch; Regina S. Hirsch,**  
both of 701 NW. 40th St., Oklahoma  
City, Okla. 73118

**FOREIGN PATENT DOCUMENTS**

[\*\*] Term: **14 Years**

159950 5/1954 Australia ..... 47/66 D  
815709 7/1937 France ..... 47/66 D  
181304 7/1906 Germany ..... 47/66 D  
55976 5/1912 Germany ..... D7/624

[21] Appl. No.: **8,751**

[22] Filed: **May 25, 1993**

*Primary Examiner*—Alan P. Douglas  
*Assistant Examiner*—Cathron B. Matta  
*Attorney, Agent, or Firm*—Dunlap & Coddling

[52] U.S. Cl. .... **D11/164**

[58] Field of Search ..... D11/164, 143;  
D7/624; 47/66 D, 66 P, 41.01; D23/261;  
206/423

[57] **CLAIM**

The ornamental design for a terracotta pot insert, as shown and described.

[56] **References Cited**

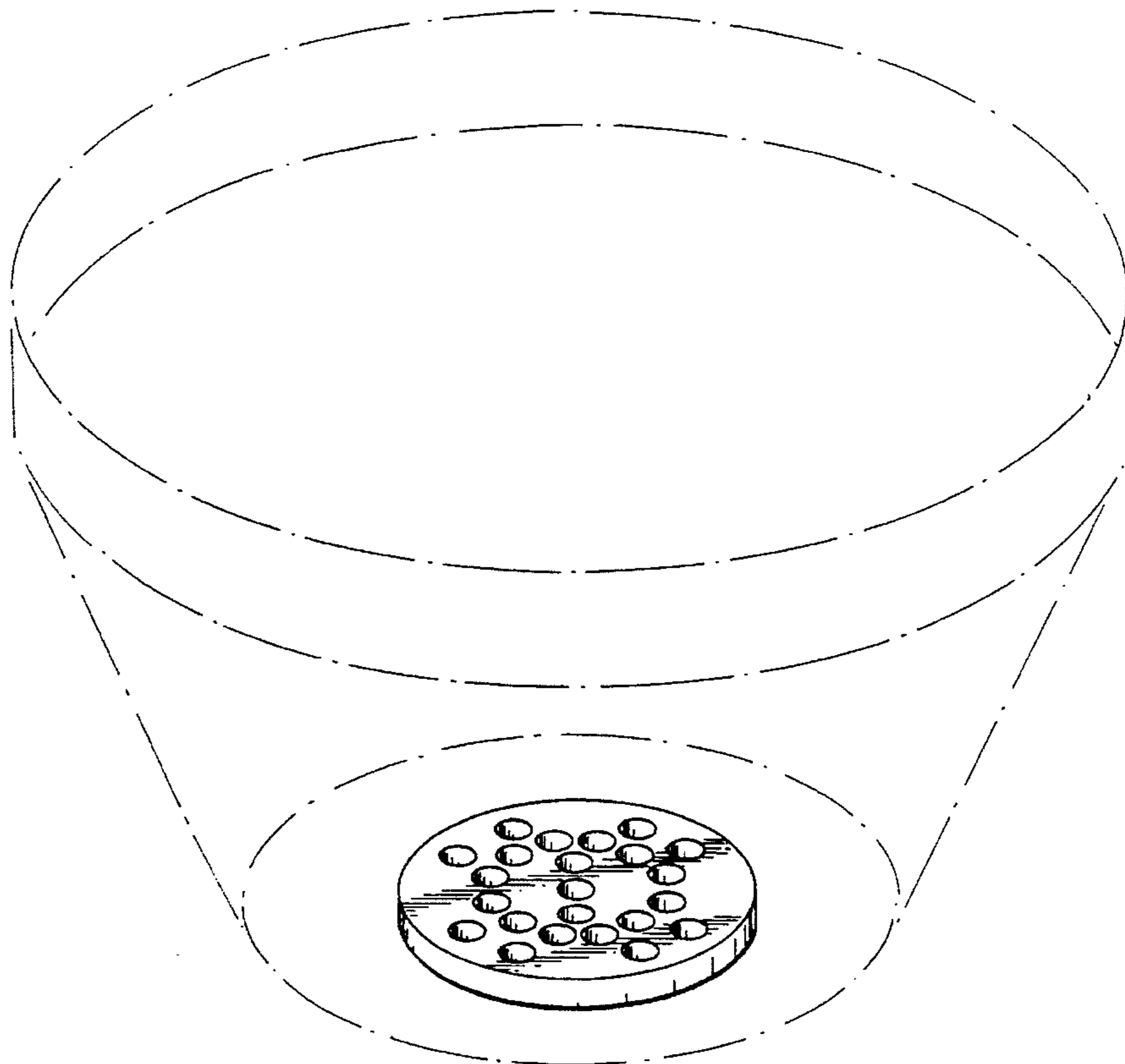
**U.S. PATENT DOCUMENTS**

**DESCRIPTION**

132,178	10/1872	Pugh .	
135,271	1/1873	Gould .	
195,094	9/1877	Crowther .	
D. 229,655	12/1973	Cyren .....	D7/624
D. 346,764	5/1994	Sellers .....	D11/143 X
515,032	2/1894	Vestal .....	47/66 D
611,523	9/1898	Springer .	
842,703	1/1907	Roberts .	
903,227	11/1908	Pruden .....	206/423 X
1,216,642	2/1917	White .	
1,884,204	10/1932	Pilkington .	
2,026,679	1/1936	Higgins .....	47/34
2,058,934	10/1936	Yohe .....	47/38
2,110,059	3/1938	Brimm .....	294/69
2,834,153	5/1958	Fearn .....	47/34

FIG. 1 is a perspective view of a terracotta pot insert showing our new design, with a terracotta pot in broken lines for illustrative purposes only and forming no part of the claimed design;  
FIG. 2 is a side elevational view thereof;  
FIG. 3 is a side elevational view thereof opposite that shown in FIG. 2;  
FIG. 4 is a front elevational view thereof;  
FIG. 5 is a rear elevational view thereof;  
FIG. 6 is a top plan view thereof; and,  
FIG. 7 is a bottom plan view thereof.

**1 Claim, 1 Drawing Sheet**



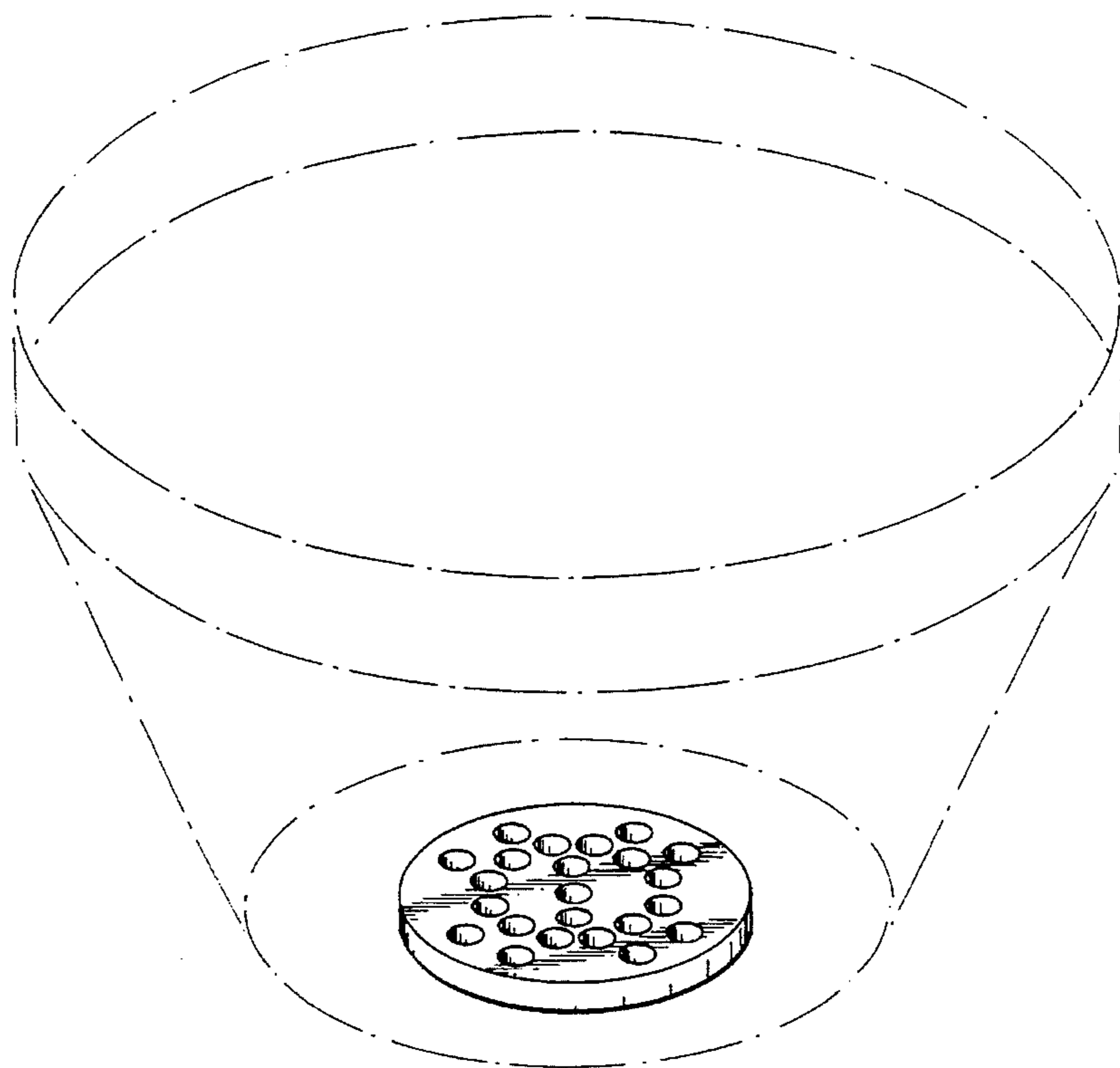


FIG. 1

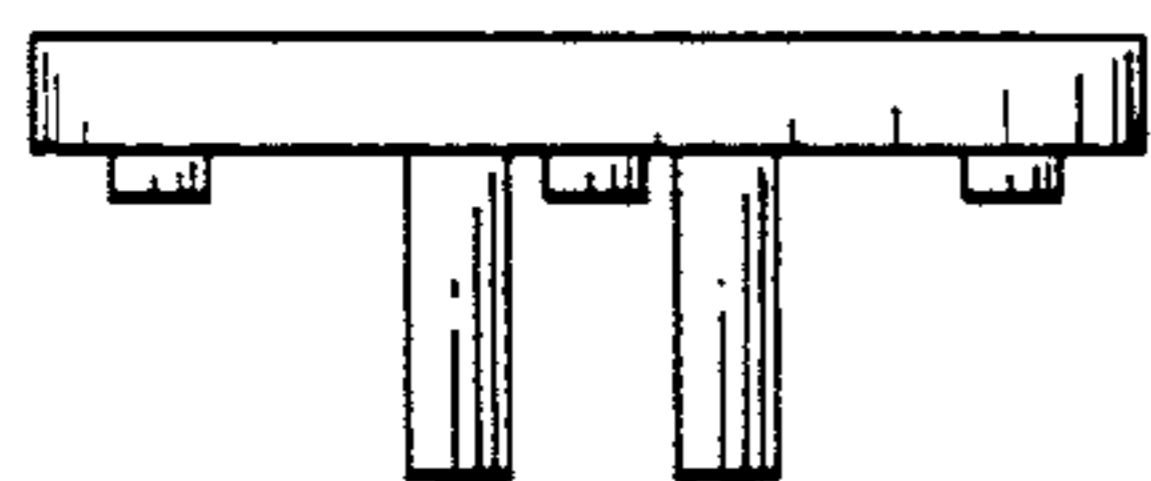


FIG. 2

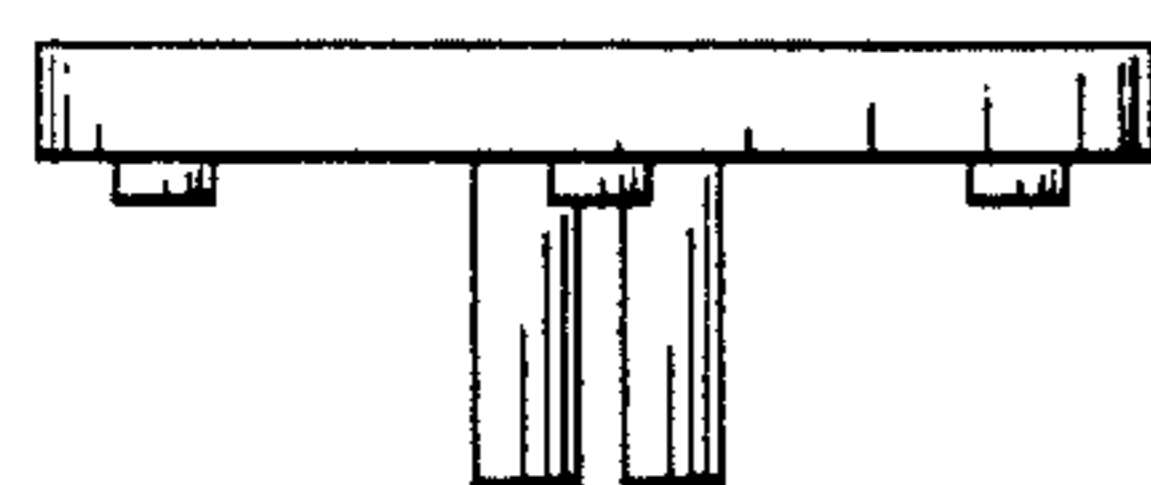


FIG. 3

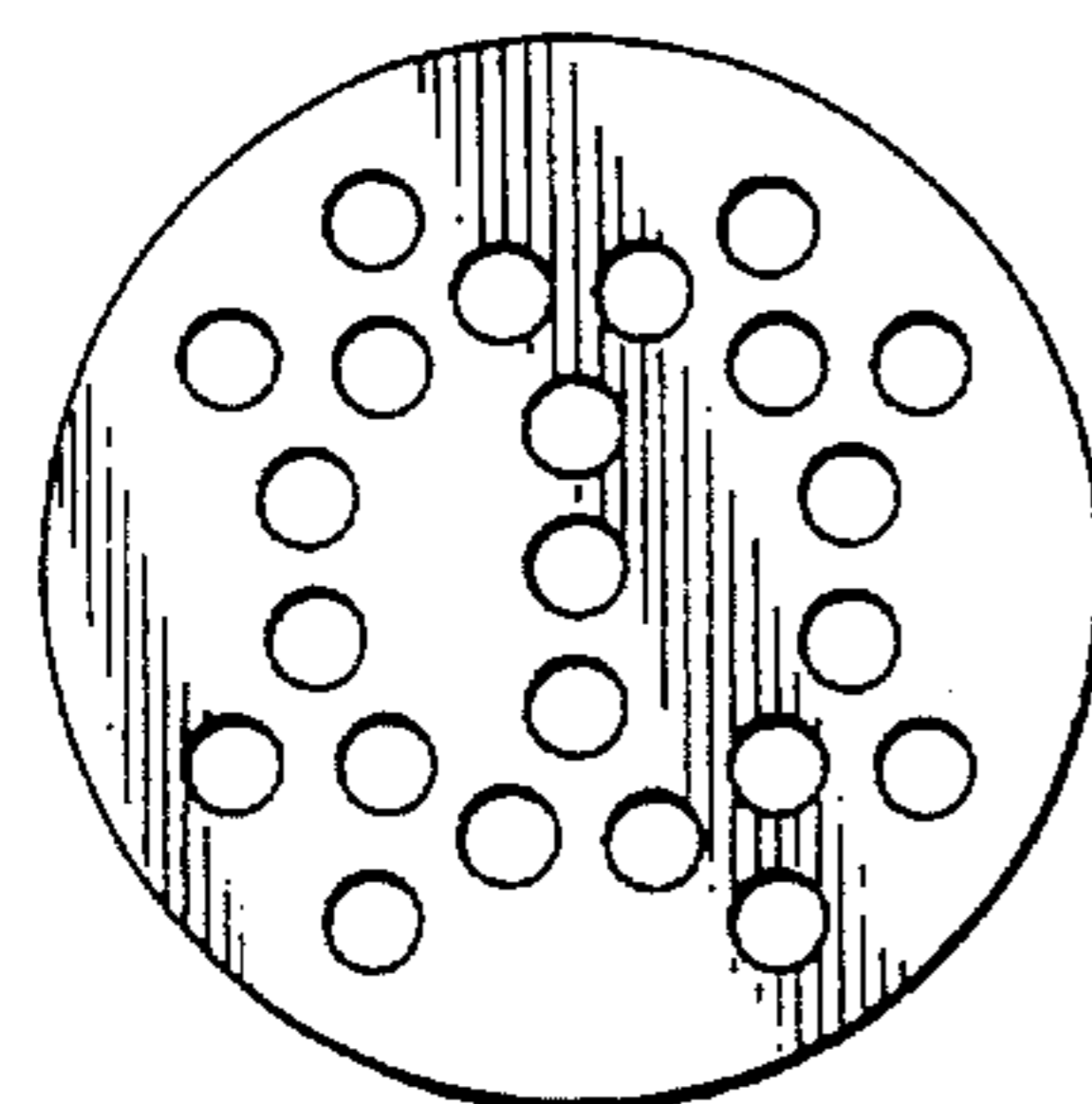


FIG. 4

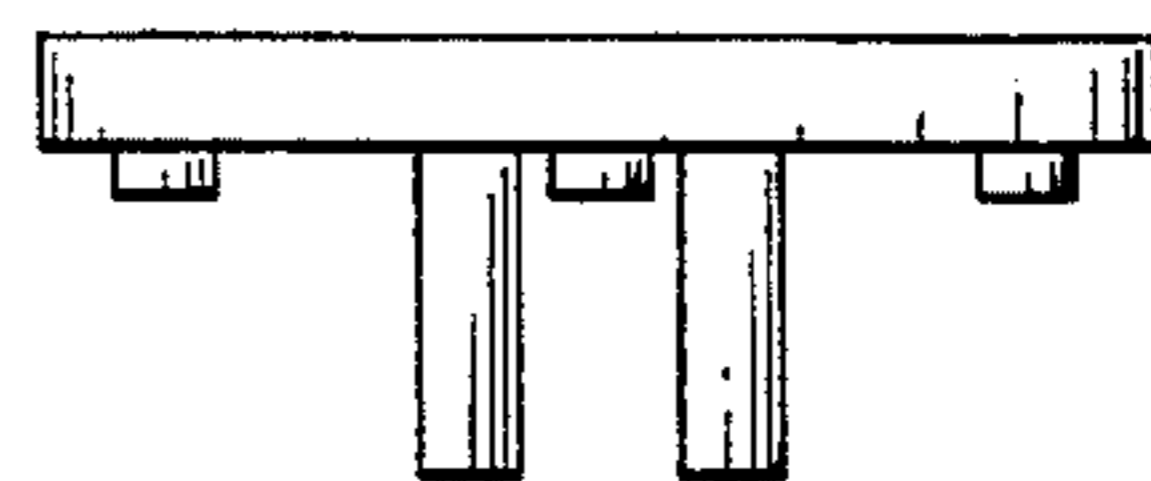


FIG. 5

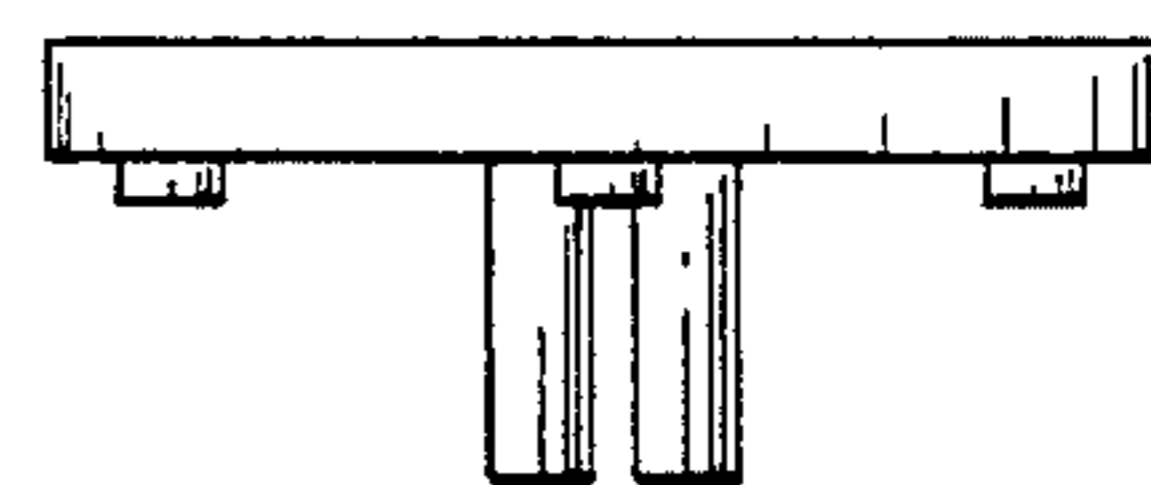


FIG. 6

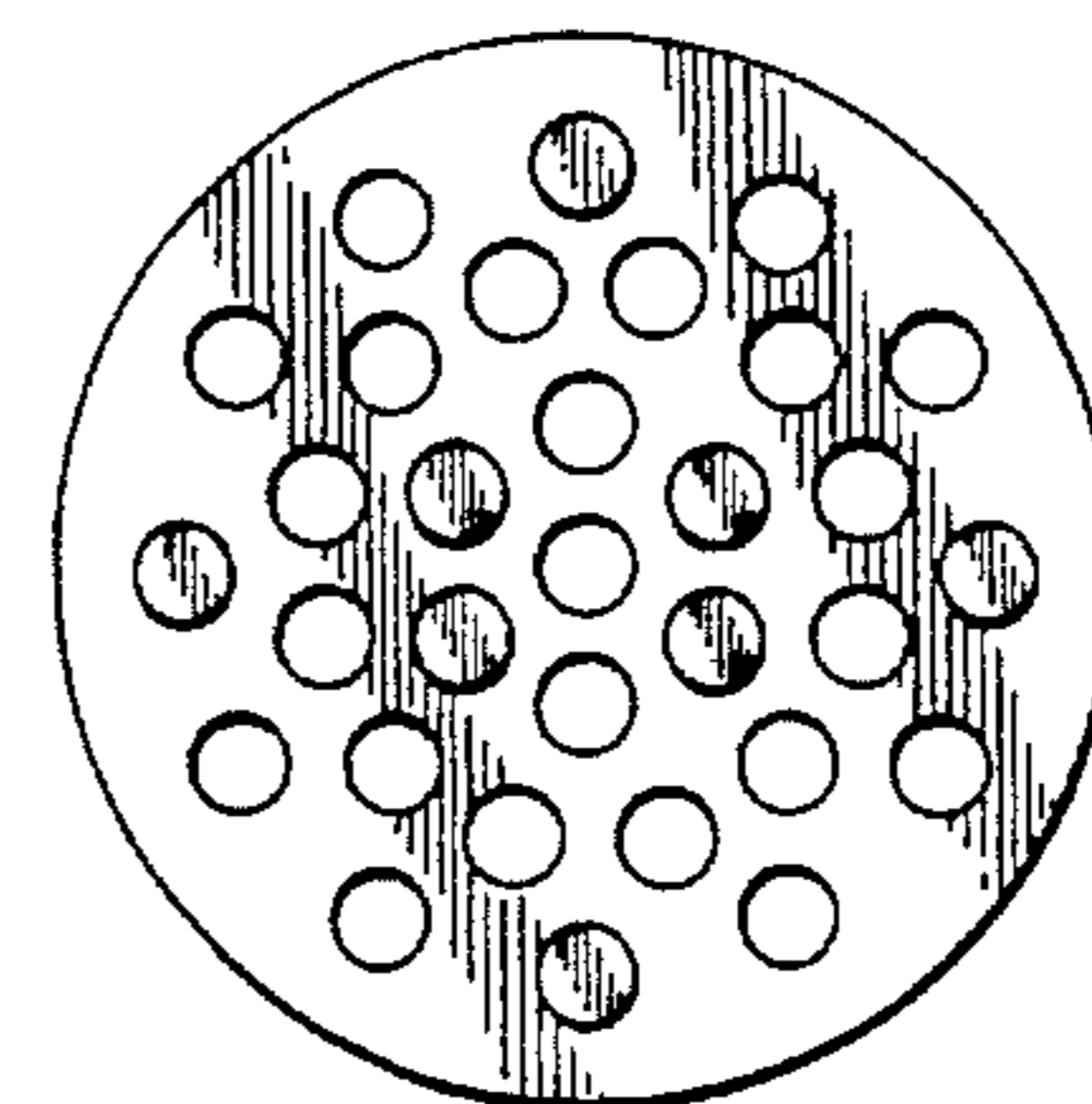


FIG. 7