



US00D365531S

United States Patent [19]

Stirling

[11] Patent Number: **Des. 365,531**

[45] Date of Patent: ****Dec. 26, 1995**

[54] **SECURITY PARKING BARRIER FOR VEHICLES**

[76] Inventor: **Jack L. Stirling**, 3340 Del Sol Blvd. #197, San Diego, Calif. 92154

[**] Term: **14 Years**

[21] Appl. No.: **17,120**

[22] Filed: **Jan. 5, 1994**

[52] U.S. Cl. **D10/109**

[58] Field of Search D10/104, 109, D10/111, 113, 121; 116/28 R, 63 C, 63 P, 63 T; 40/606, 607, 608; 404/5, 6, 7, 8, 9, 10, 11, 12, 13, 14, 15

[56] **References Cited**

U.S. PATENT DOCUMENTS

| | | | | |
|------------|---------|------------|-------|---------|
| D. 240,209 | 6/1976 | Mendelsohn | | D10/109 |
| D. 253,637 | 12/1979 | Welbourne | | D10/109 |
| D. 257,238 | 10/1980 | Zandsman | | D10/109 |
| D. 279,460 | 7/1985 | Souza | | D10/109 |
| D. 312,977 | 12/1990 | Quante | | D10/109 |

| | | | |
|-----------|---------|--------------|---|
| 4,641,459 | 2/1987 | Mesa | . |
| 4,752,152 | 6/1988 | Crisp et al. | . |
| 4,762,439 | 8/1988 | Carlyle | . |
| 5,146,710 | 9/1992 | Caldwell | . |
| 5,167,093 | 12/1992 | Hamilton | . |

Primary Examiner—James M. Gandy
Assistant Examiner—Marcus Jackson

[57] **CLAIM**

The ornamental design for a security parking barrier for vehicles, as shown and described.

DESCRIPTION

FIG. 1 is a front elevational view of the security parking barrier for vehicles showing my new design; FIG. 2 is a rear elevational view thereof; FIG. 3 is a left side elevational view thereof; FIG. 4 is a right side elevational view thereof; FIG. 5 is a top plan view thereof; FIG. 6 is a bottom plan view thereof; and, FIG. 7 is an upper, left perspective view thereof.

1 Claim, 3 Drawing Sheets

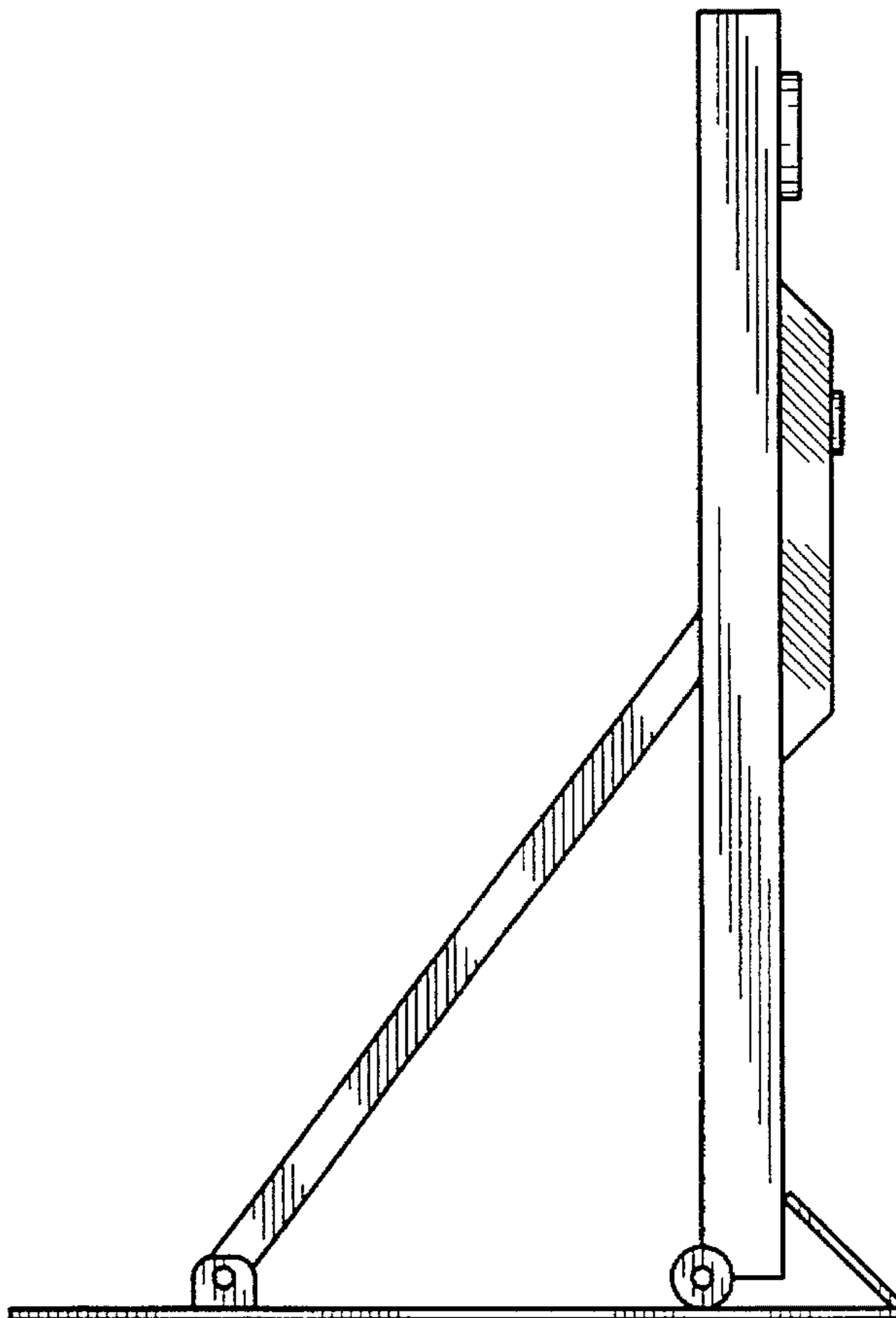
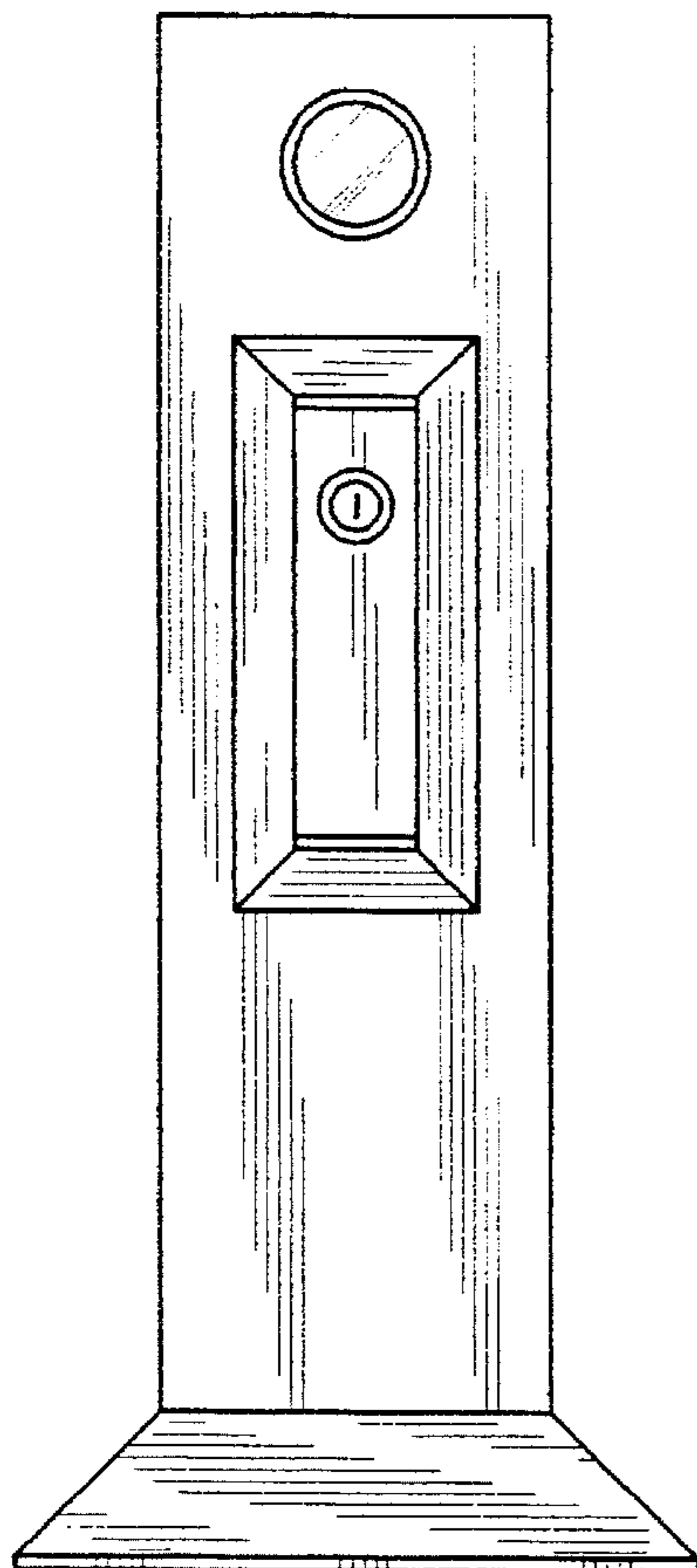


FIG. 1

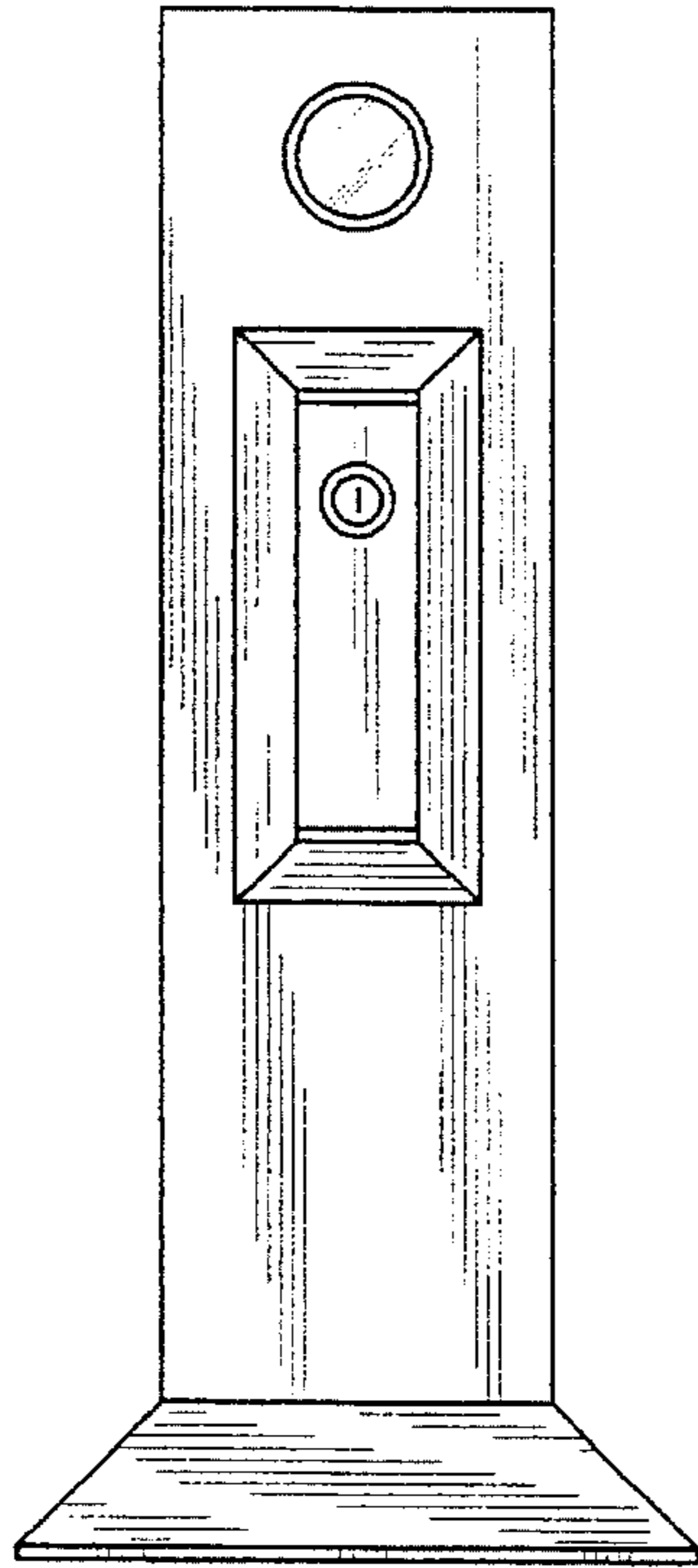


FIG. 2

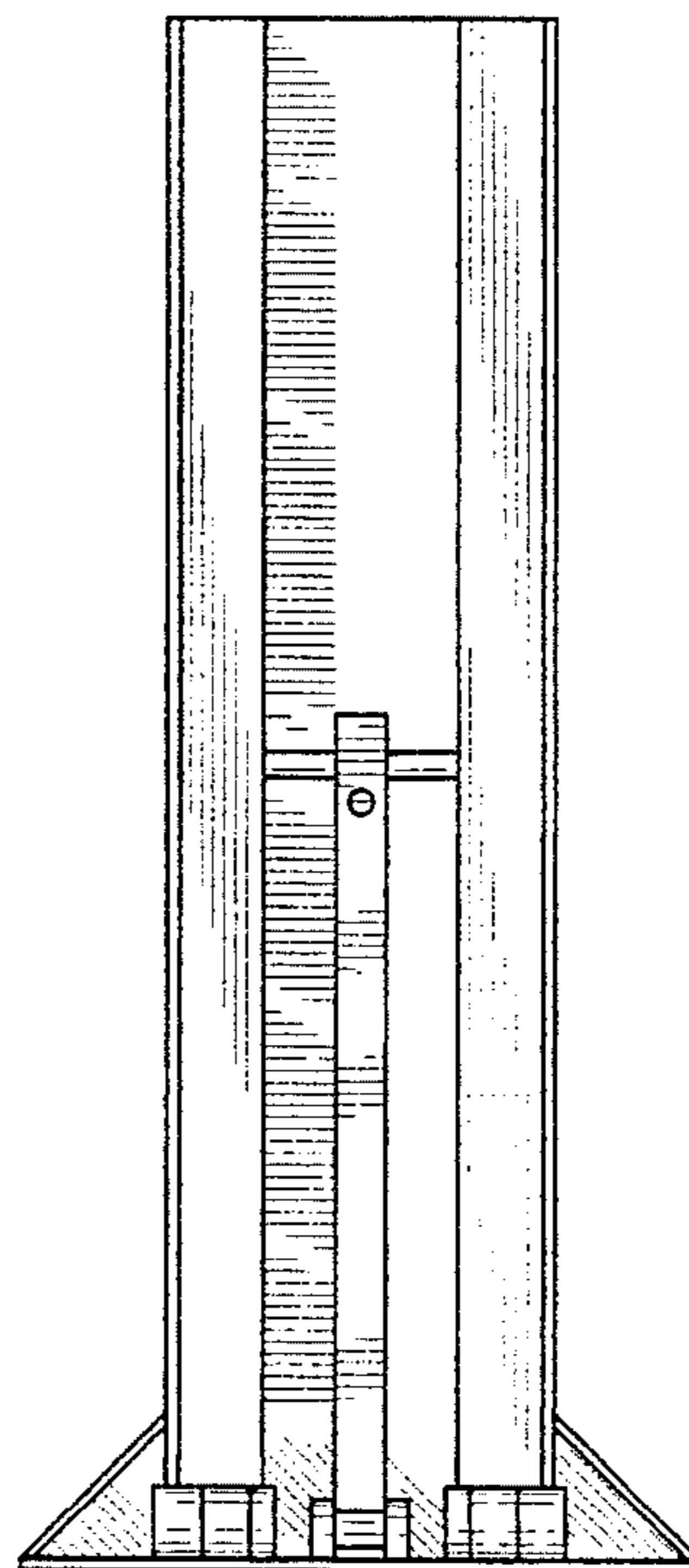


FIG. 3

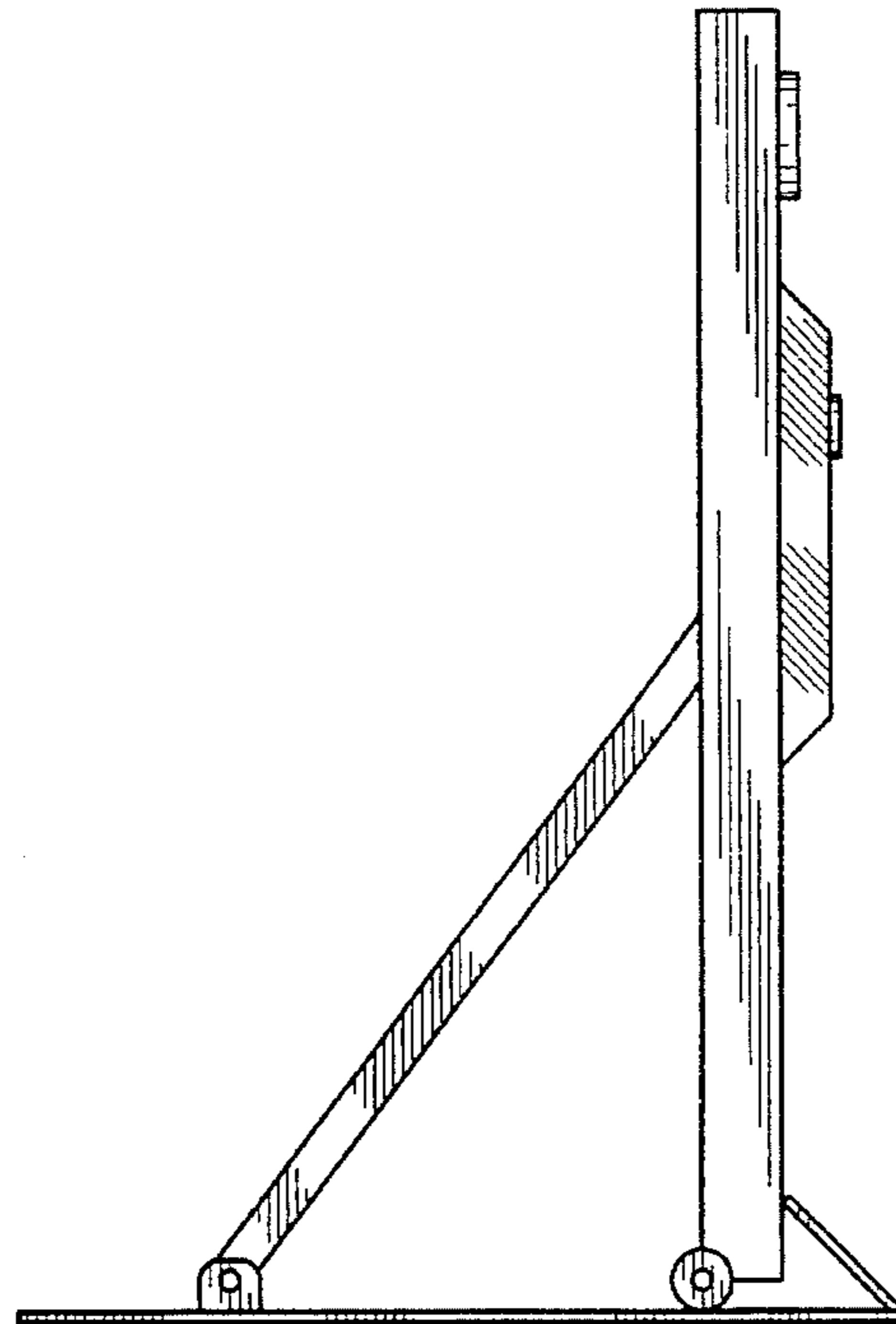


FIG. 4

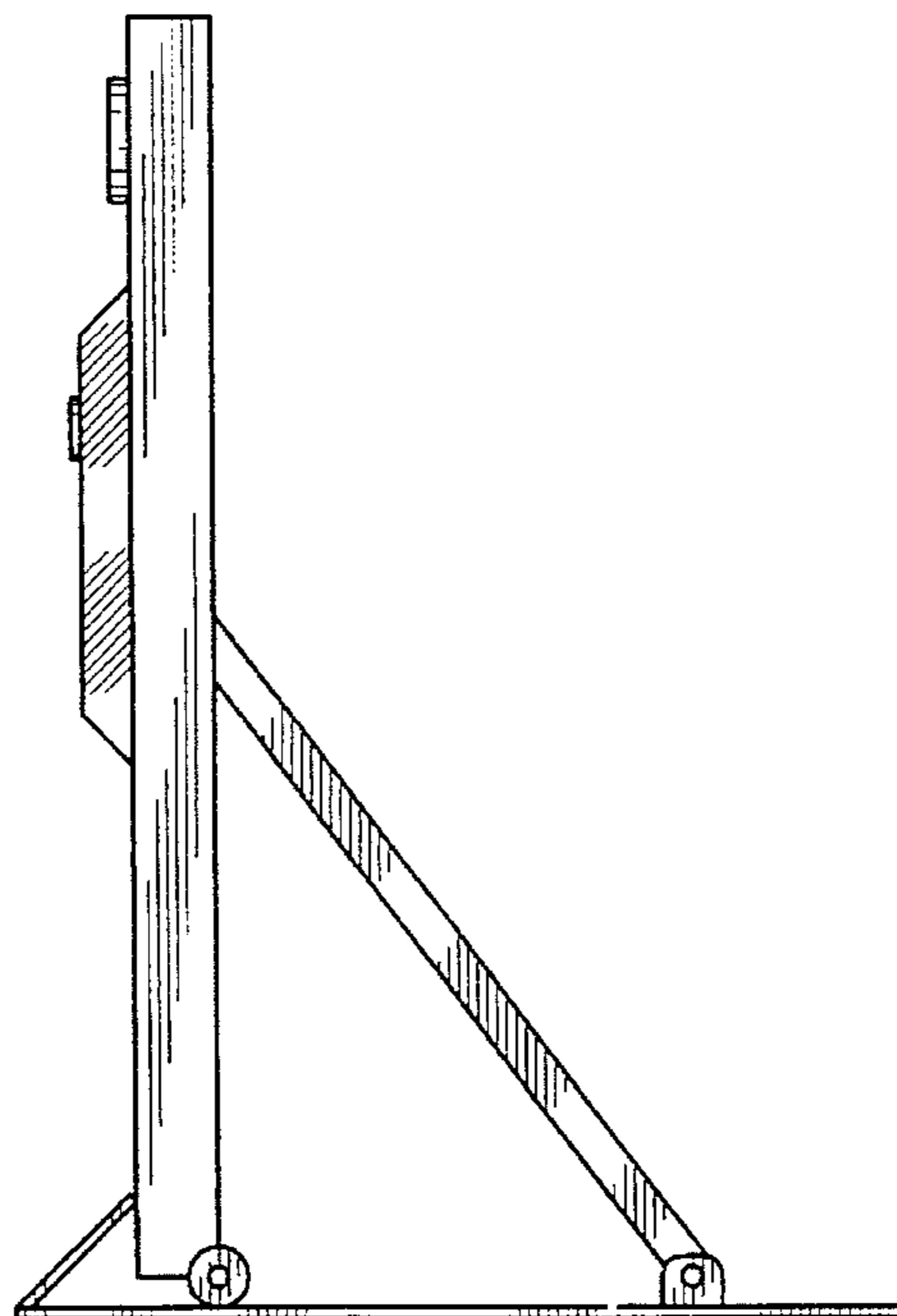


FIG. 5

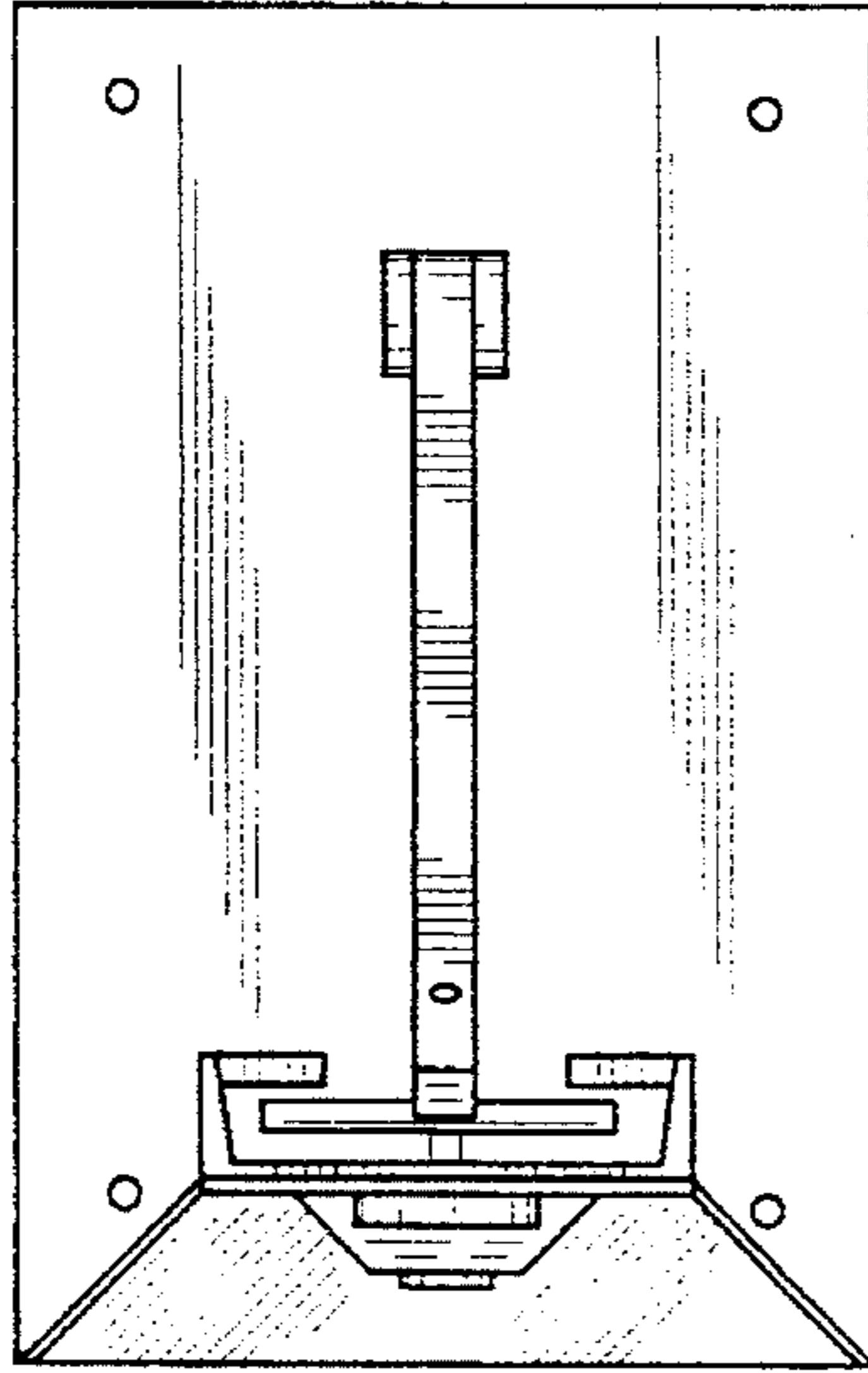


FIG. 6

