



US00D365519S

# United States Patent [19]

[11] Patent Number: **Des. 365,519**

Welch et al.

[45] Date of Patent: **\*\*Dec. 26, 1995**

[54] **TAMPER-RESISTANT CAP SEAL FOR DRUM-TYPE CONTAINERS**

*Primary Examiner*—Alan P. Douglas  
*Assistant Examiner*—Robert M. Spear  
*Attorney, Agent, or Firm*—Howson & Howson

[75] Inventors: **William G. Welch; Eugene Grotnes,**  
both of Atlanta, Ga.

[57] **CLAIM**

[73] Assignee: **Atlanta Polyseal Ltd.,** Atlanta, Ga.

The ornamental design for a tamper-resistant cap seal for drum-type containers, as shown and described.

[\*\*] Term: **14 Years**

**DESCRIPTION**

[21] Appl. No.: **31,105**

FIG. 1 is a perspective view of the underside of a tamper-resistant cap seal for drum-type containers showing our new design;

[22] Filed: **Nov. 17, 1994**

[52] U.S. Cl. .... **D9/454**

FIG. 2 is a perspective view showing the top thereof;

[58] **Field of Search** ..... D9/338, 434-435,  
D9/444-445, 452-454, 499; 215/212, 213,  
216, 224, 277, DIG. 1; 220/257, 315, 324

FIG. 3 is a fragmentary sectional view thereof taken on plane 3-3 in FIG. 2, showing the angle of the inwardly bent tabs;

[56] **References Cited**

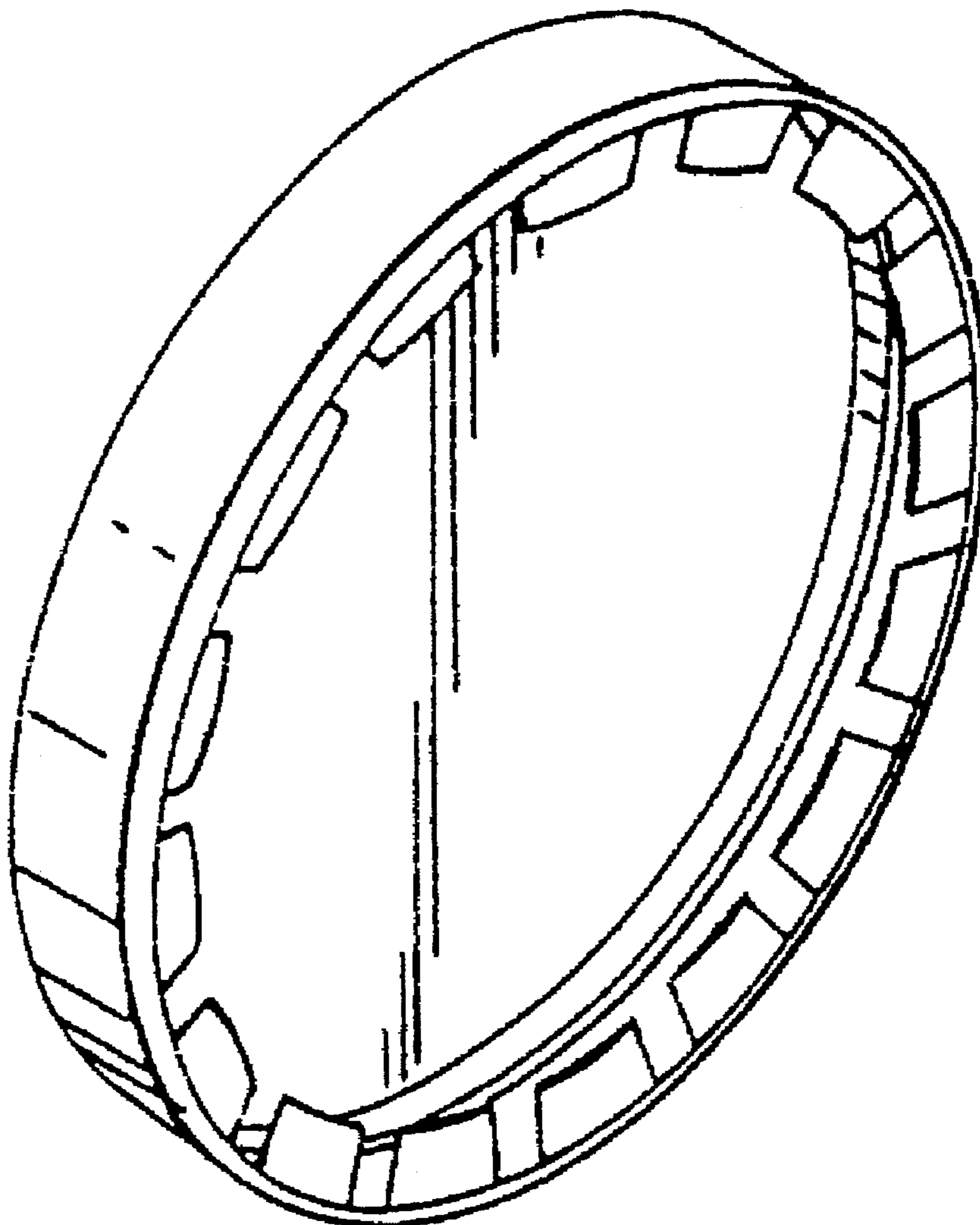
FIG. 4 is a top plan view thereof; and,

FIG. 5 is a bottom plan view thereof.

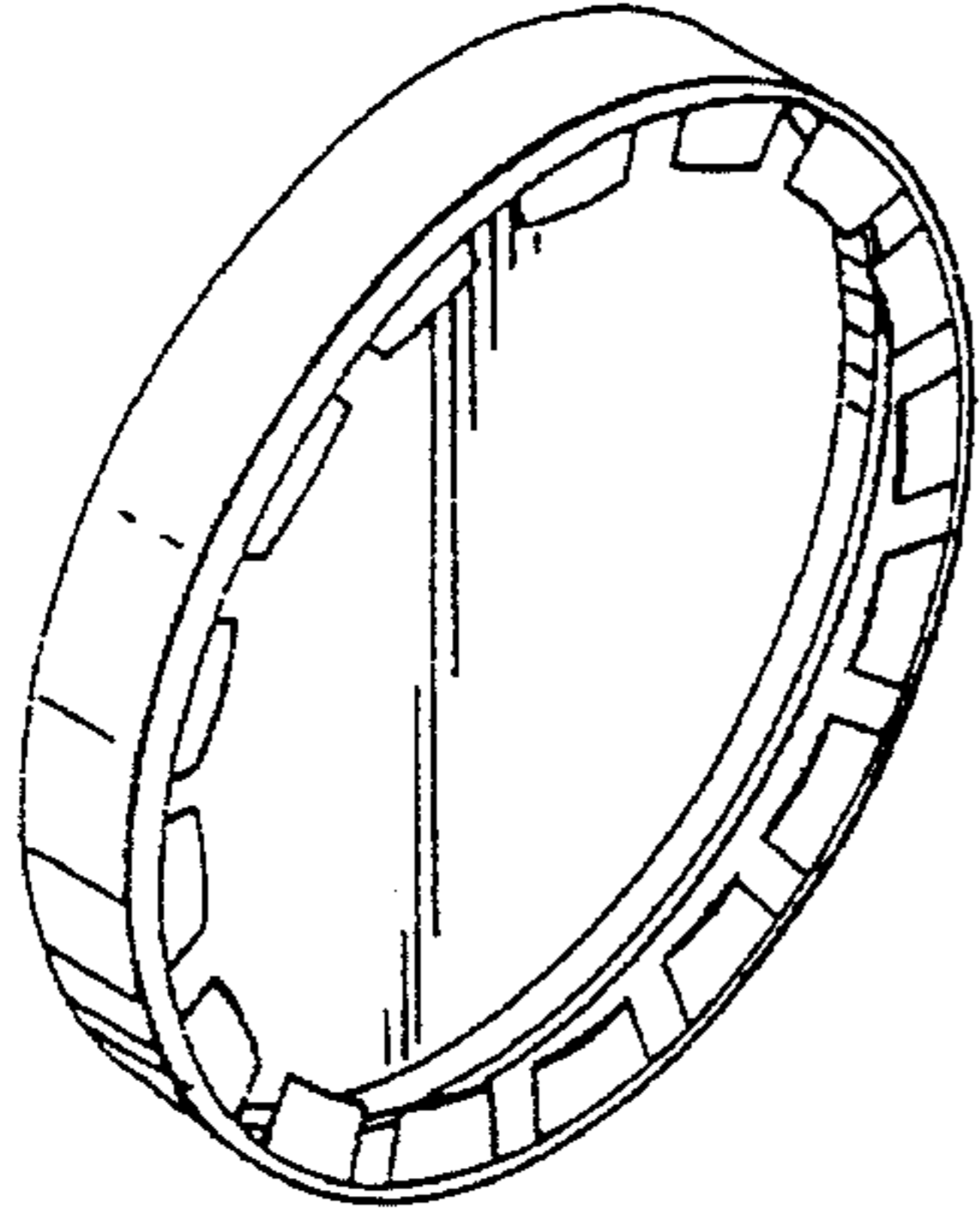
**U.S. PATENT DOCUMENTS**

3,987,929 10/1976 Mineo .

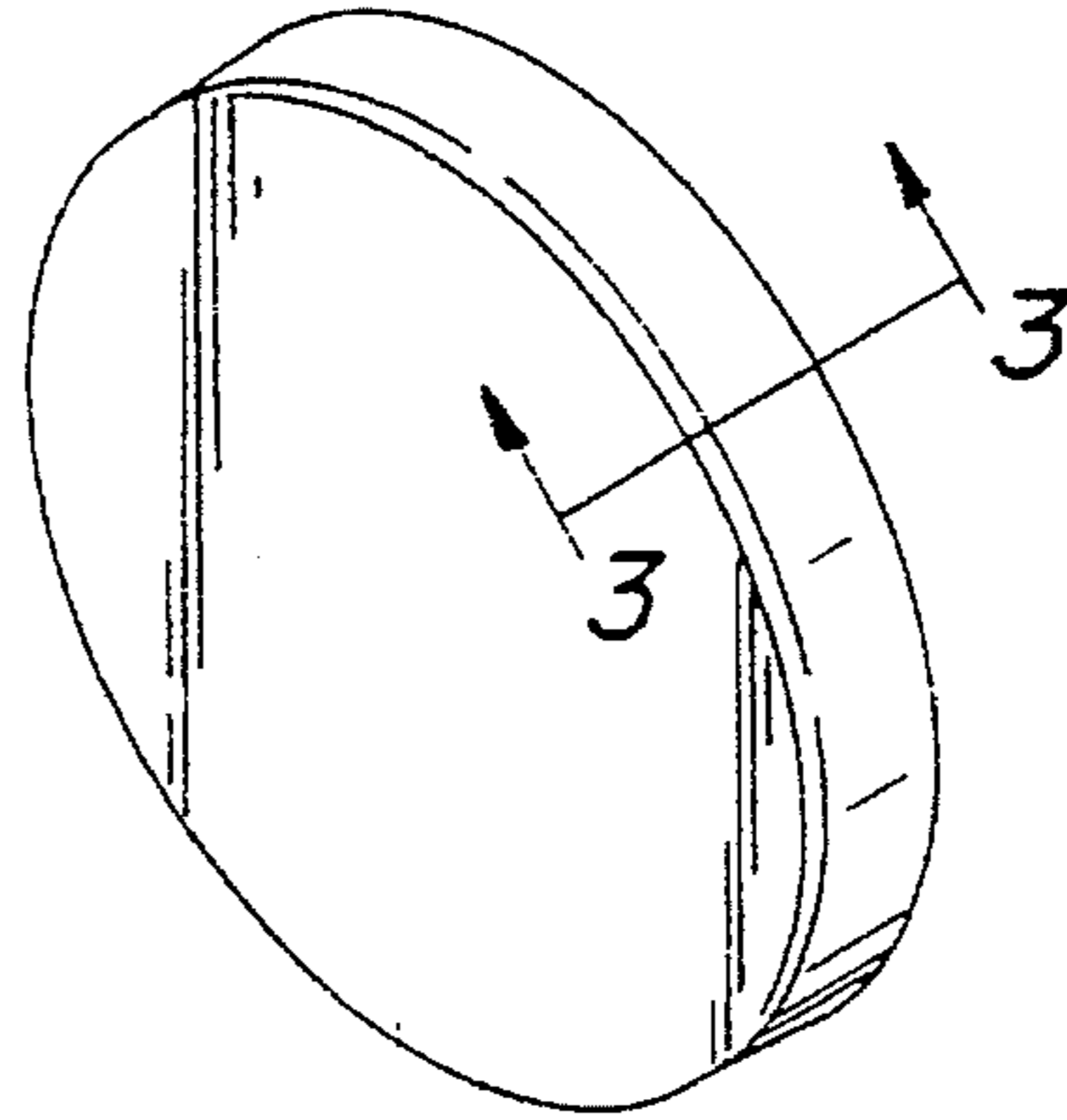
**1 Claim, 1 Drawing Sheet**



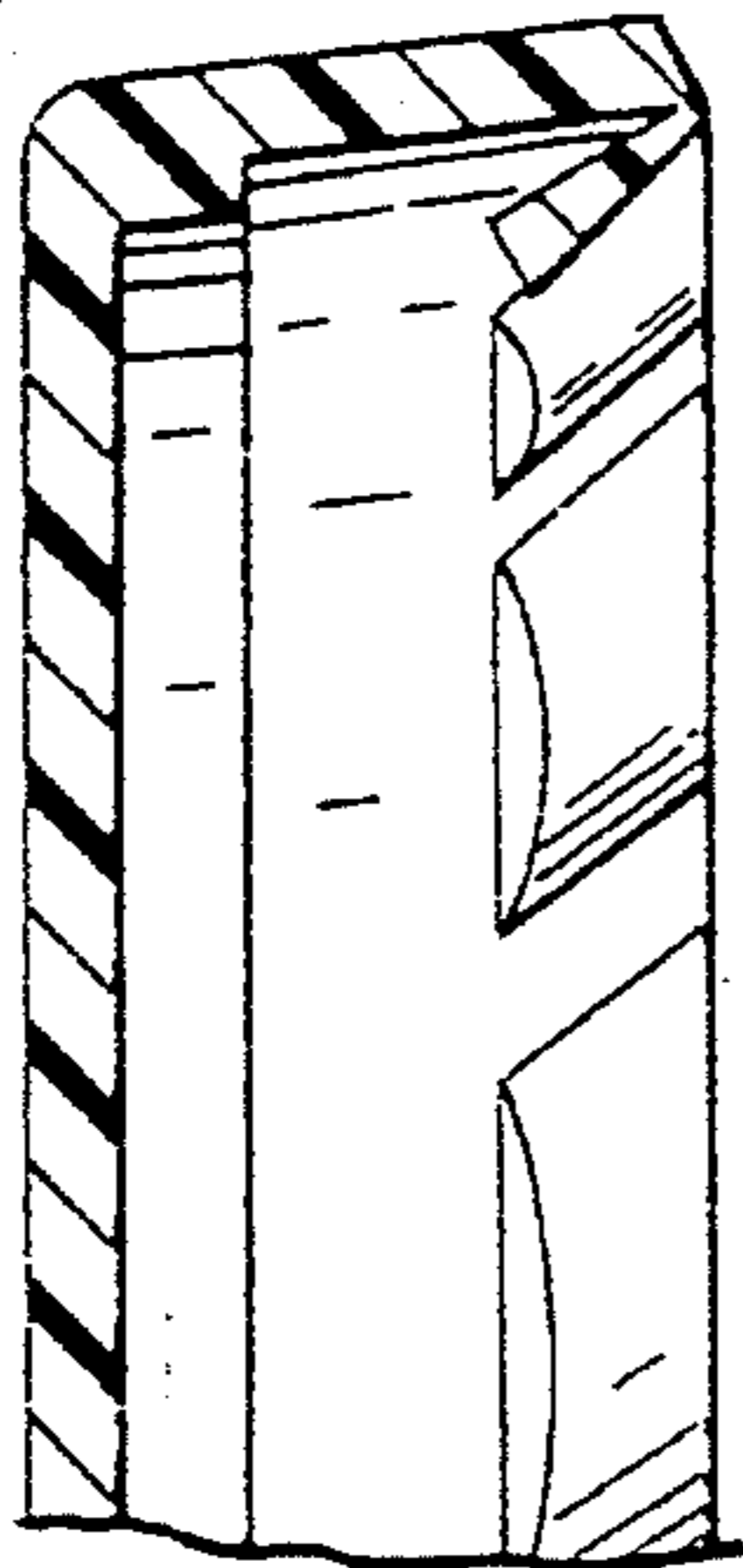
**FIG. 1**



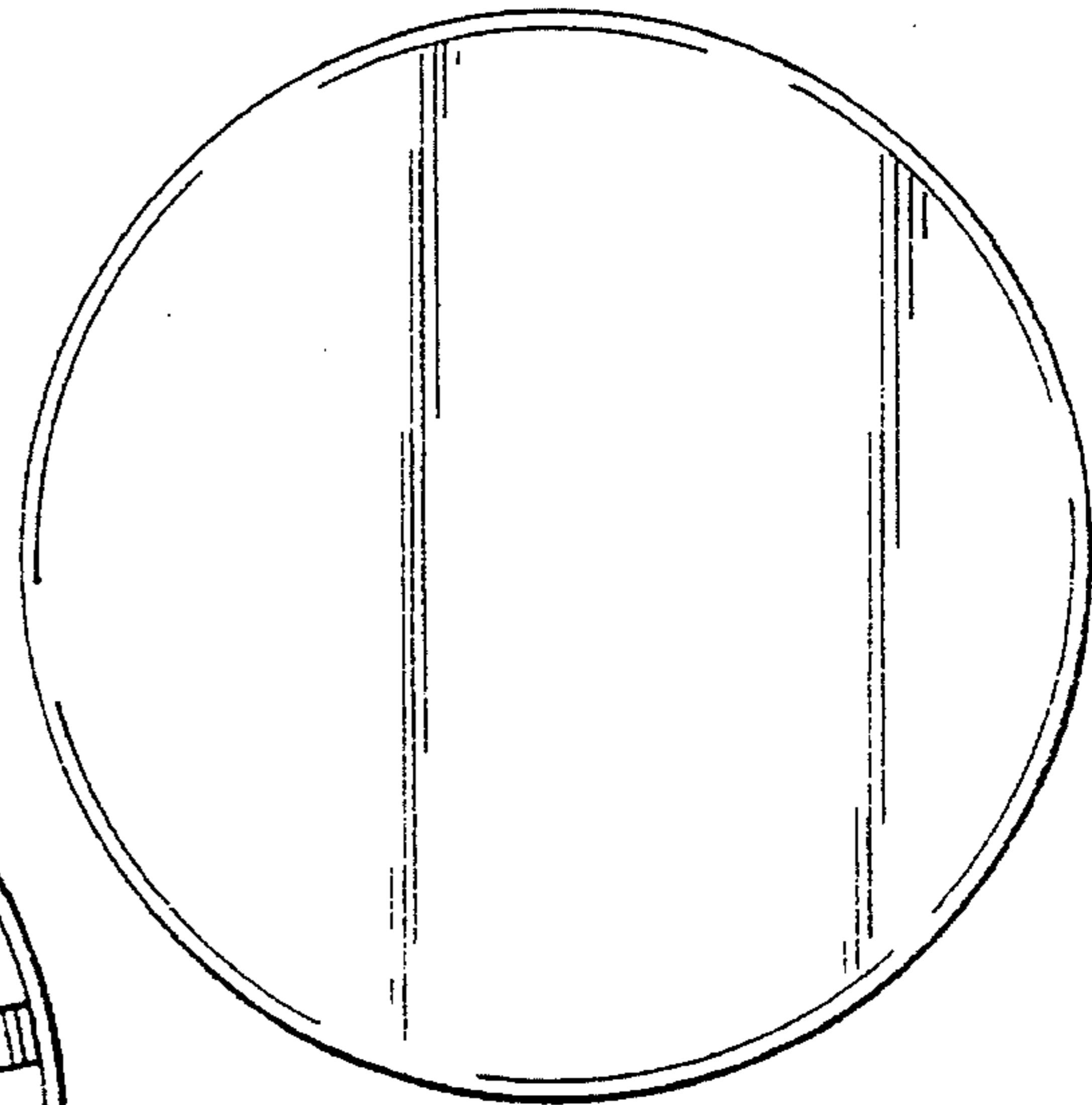
**FIG. 2**



**FIG. 3**



**FIG. 4**



**FIG. 5**

