



US00D365514S

# United States Patent [19]

[11] Patent Number: **Des. 365,514**

**Borel**

[45] Date of Patent: **\*\*Dec. 26, 1995**

[54] **SECURITY BRACE FOR A SLIDING DOOR**

5,193,865 3/1993 Baugh .

5,244,240 9/1993 Nordmeyer et al. .

[76] Inventor: **Mark A. Borel**, R.D. #2 Box 269-B,  
Meshoppen, Pa. 18630

*Primary Examiner*—Brian N. Vinson

[\*\*] Term: **14 Years**

### [57] CLAIM

[21] Appl. No.: **32,623**

The ornamental design for a security brace for a sliding door,  
as shown and described.

[22] Filed: **Dec. 22, 1994**

### DESCRIPTION

[52] U.S. Cl. .... **D8/402; D8/400**

[58] Field of Search ..... D8/400, 402, 343;  
292/289, 292, 300, 338, 339, DIG. 20,  
DIG. 46

FIG. 1 is a front elevational view of a security brace for sliding door showing my new design;  
FIG. 2 is a rear elevational view thereof;  
FIG. 3 is a left side elevational view thereof;  
FIG. 4 is a right side elevational view thereof;  
FIG. 5 is a top plan view thereof;  
FIG. 6 is a bottom plan view thereof; and,  
FIG. 7 is a reduced perspective view showing a use thereof, the broken line showing of a portion of a sliding door is for illustrative purposes only and forms no part of the claimed design.

### [56] References Cited

#### U.S. PATENT DOCUMENTS

D. 236,082	7/1975	Williams .....	D8/339
D. 333,424	2/1993	Kramer .....	D8/402
3,825,290	7/1974	Messina et al. .	
4,024,739	5/1977	Kaufman .	
4,617,810	10/1986	Fish et al. .	

**1 Claim, 4 Drawing Sheets**

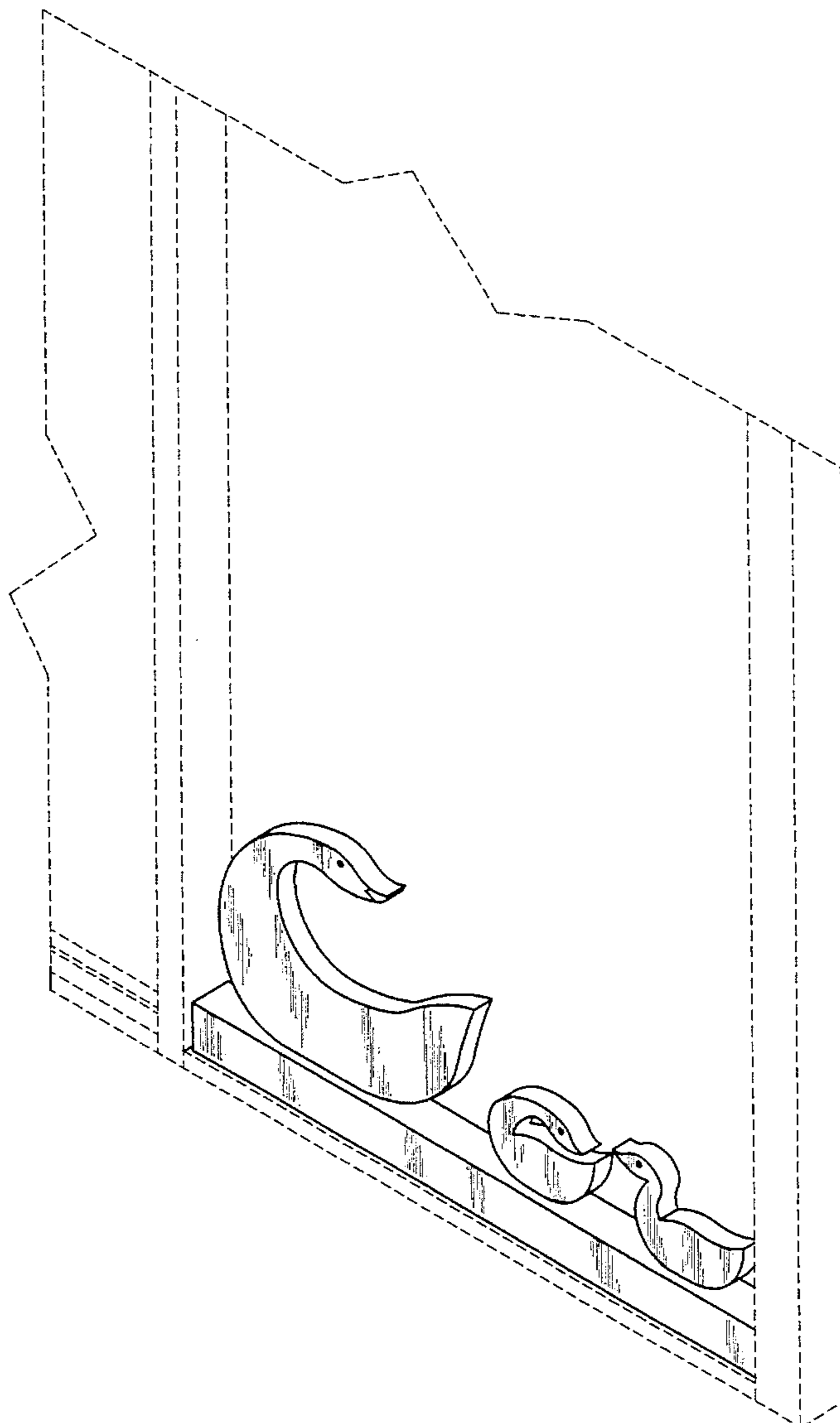


FIG. 1

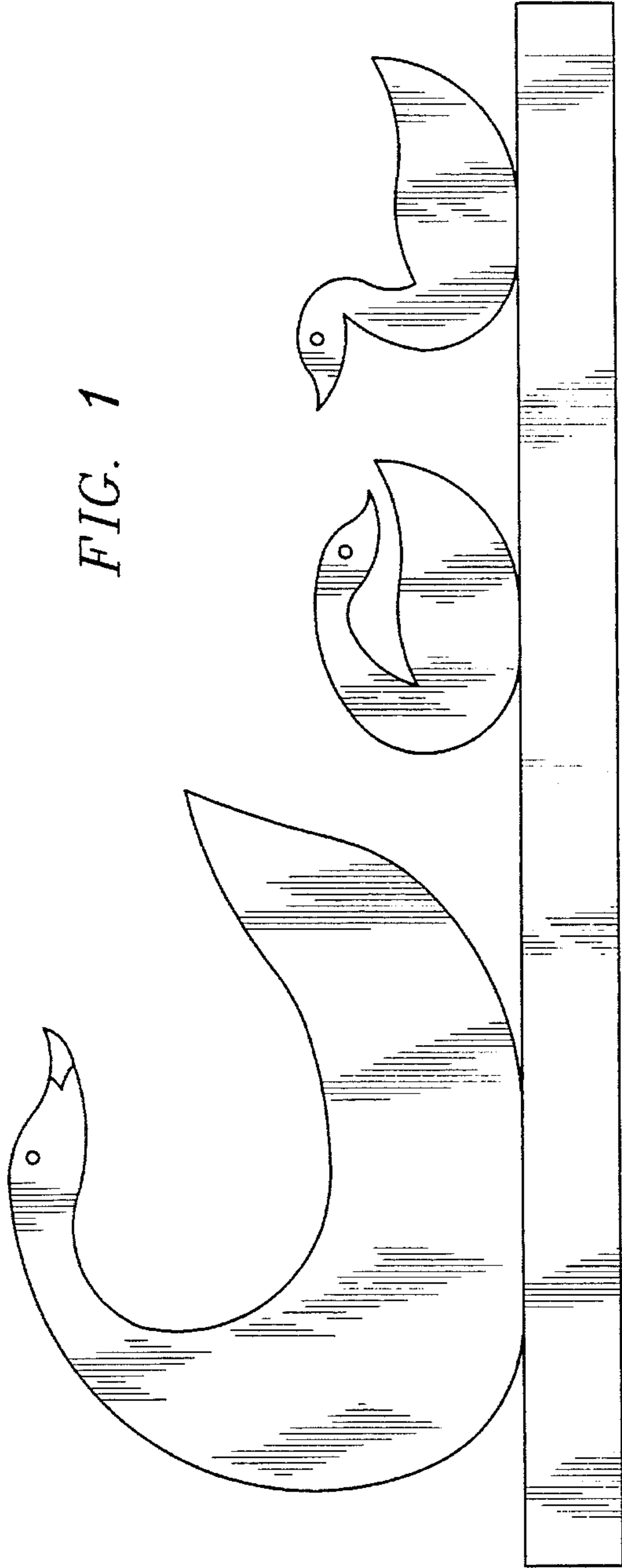
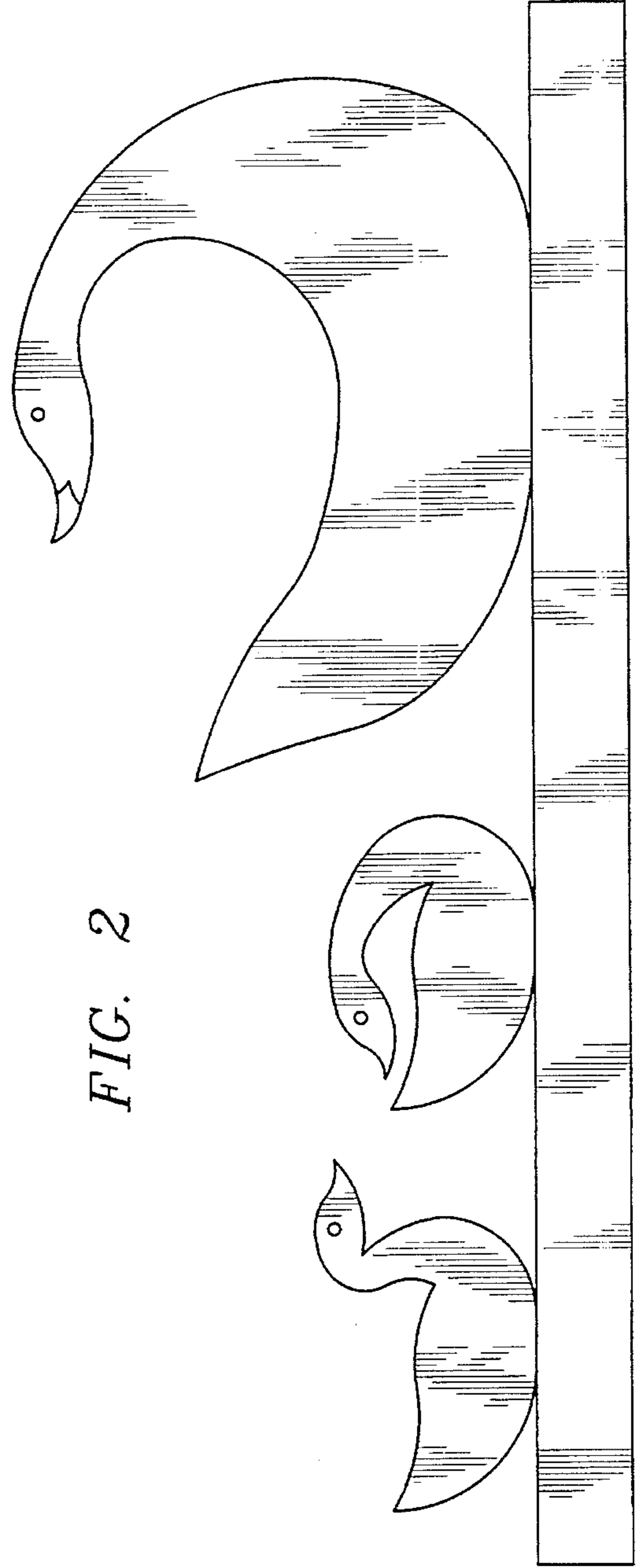
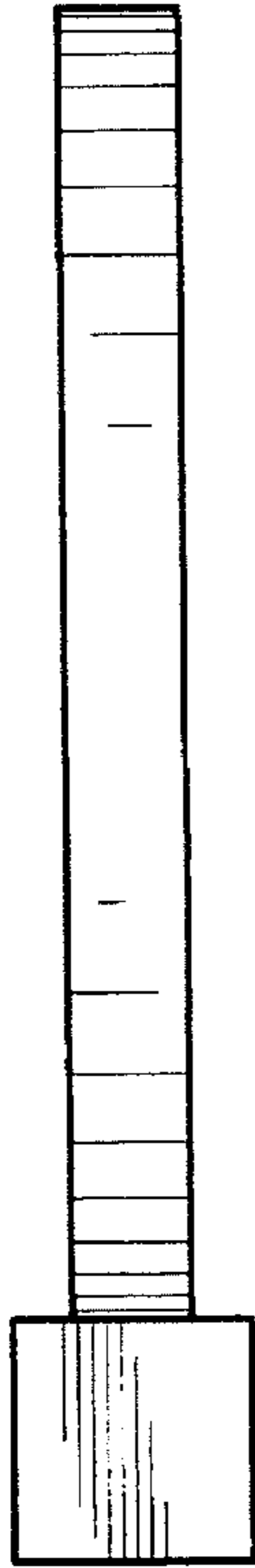


FIG. 2



*FIG. 3*



*FIG. 4*

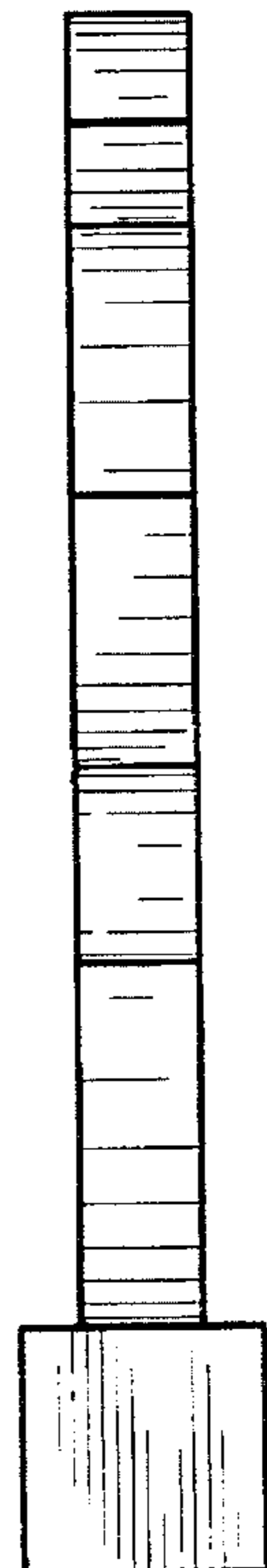


FIG. 5

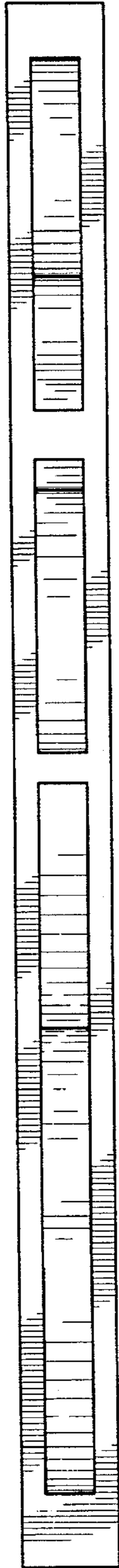


FIG. 6



FIG. 7

