



US00D365513S

United States Patent [19]

[11] Patent Number: **Des. 365,513**

Vetter et al.

[45] Date of Patent: ****Dec. 26, 1995**

[54] **OUTER SURFACE OF AN OPERATOR HOUSING**

[75] Inventors: **Gregory J. Vetter**, Owatonna; **Valerie M. Baldwin**, Albert Lea; **Perry L. Virkler**, Owatonna, all of Minn.

[73] Assignee: **Truth Hardware Corporation**, Owatonna, Minn.

[**] Term: **14 Years**

[21] Appl. No.: **21,179**

[22] Filed: **Apr. 12, 1994**

[52] U.S. Cl. **D8/400**

[58] Field of Search D8/307-309, 400; 16/110 R, 111 R; 74/523, 545-547; 49/324, 338

[56] **References Cited**

U.S. PATENT DOCUMENTS

D. 173,335	11/1954	Bancroft	D8/400
D. 176,653	1/1956	Blanchard	D8/400
D. 179,639	2/1957	Harby	D8/400
D. 198,202	5/1964	Morgan	D8/400
D. 347,569	6/1994	Vetter et al.	D8/400

OTHER PUBLICATIONS

Blaine Window Hardware Cat. ©1982; p. 22; operator 45.

Primary Examiner—B. J. Bullock
Attorney, Agent, or Firm—Wood, Phillips, VanSanten, Clark & Mortimer

[57] **CLAIM**

The ornamental design for an outer surface of an operator housing, as shown and described.

DESCRIPTION

FIG. 1 is a perspective view of the outer surface of an operator housing as oriented relative to a window sill and sash, shown in perspective, with a handle also shown in phantom;

FIG. 2 is a top view of the outer surface of an operator housing;

FIG. 3 is a front view of the outer surface of an operator housing;

FIG. 4 is a left end view of the outer surface of an operator housing, the right end being a mirror image; and,

FIG. 5 is a rear view of the outer surface of an operator housing, with the internal portion of the operator housing, which is not part of the inventive design, shown only in phantom.

The broken lines shown in FIG. 5 illustrate the inner rim of the rear of the operator housing, such inner rim being unclaimed subject matter. The solid line about the rear area defines the boundaries of the claimed subject matter.

1 Claim, 1 Drawing Sheet

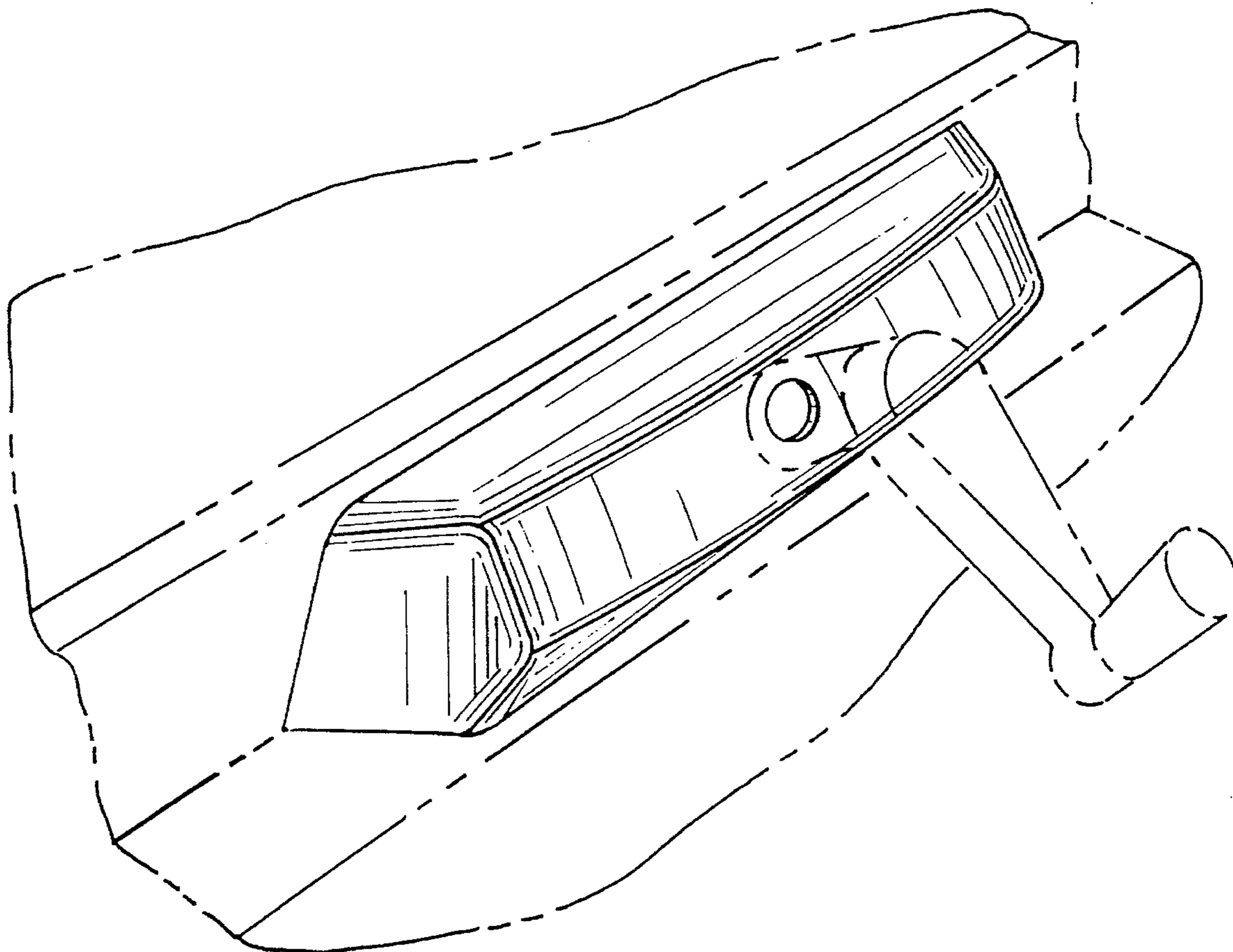


FIG. 1

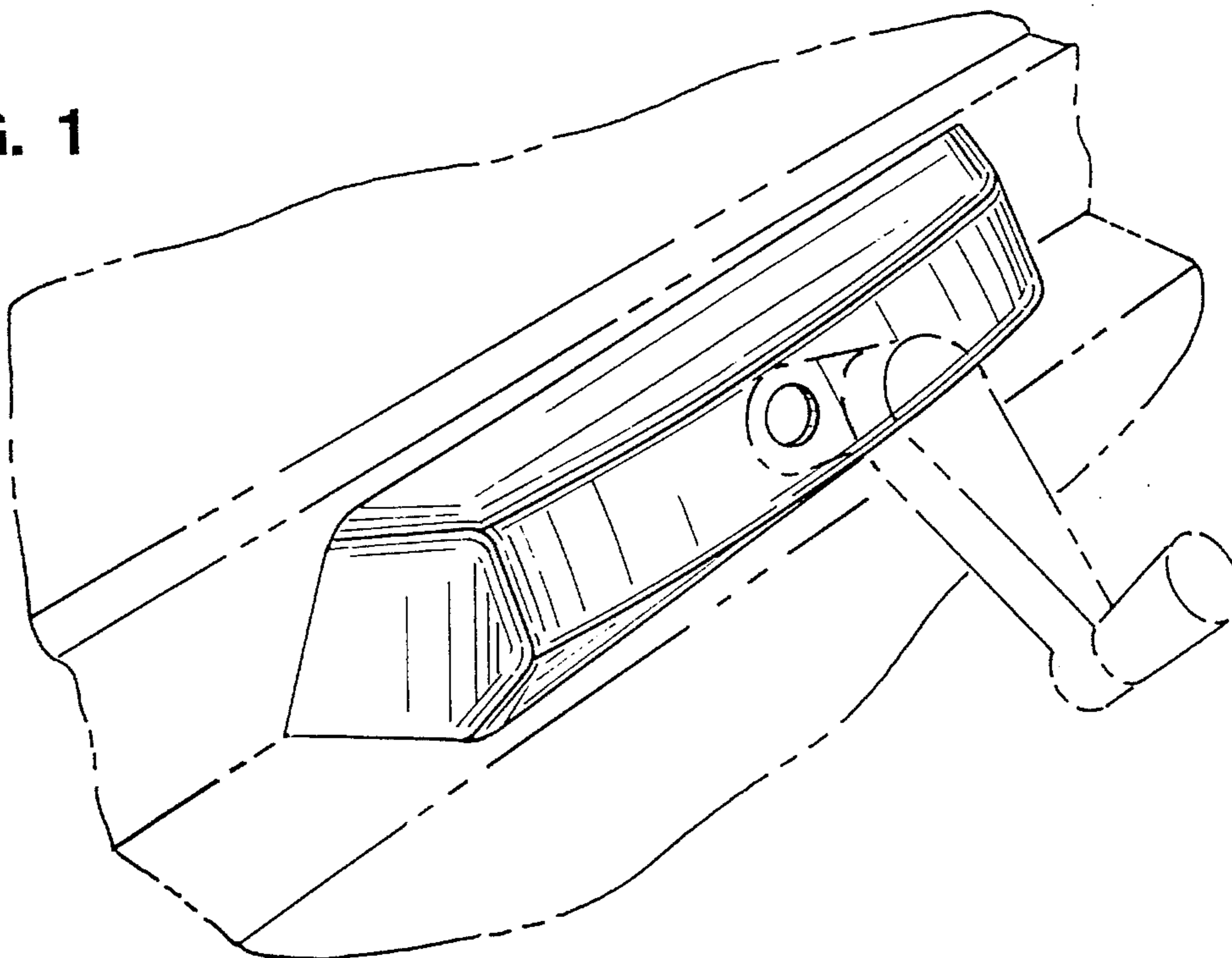


FIG. 2

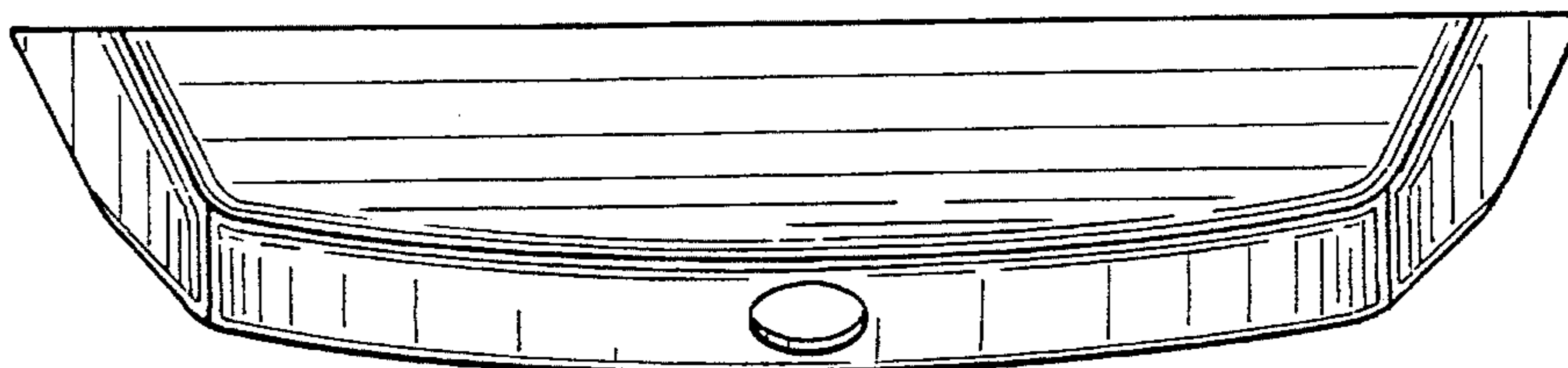


FIG. 3

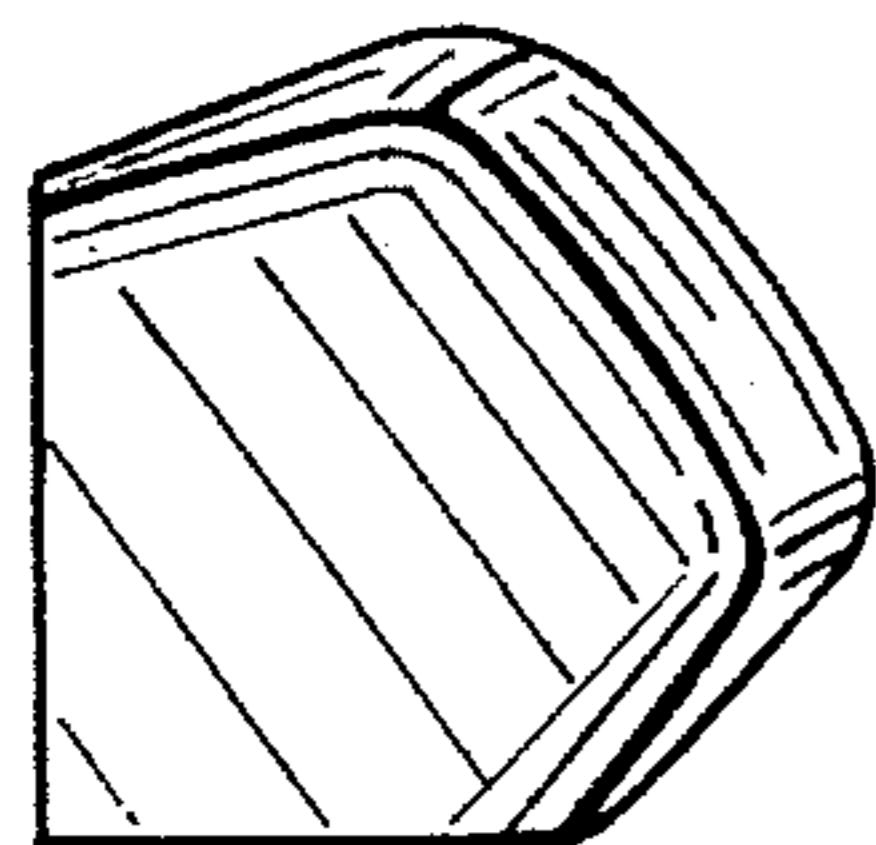
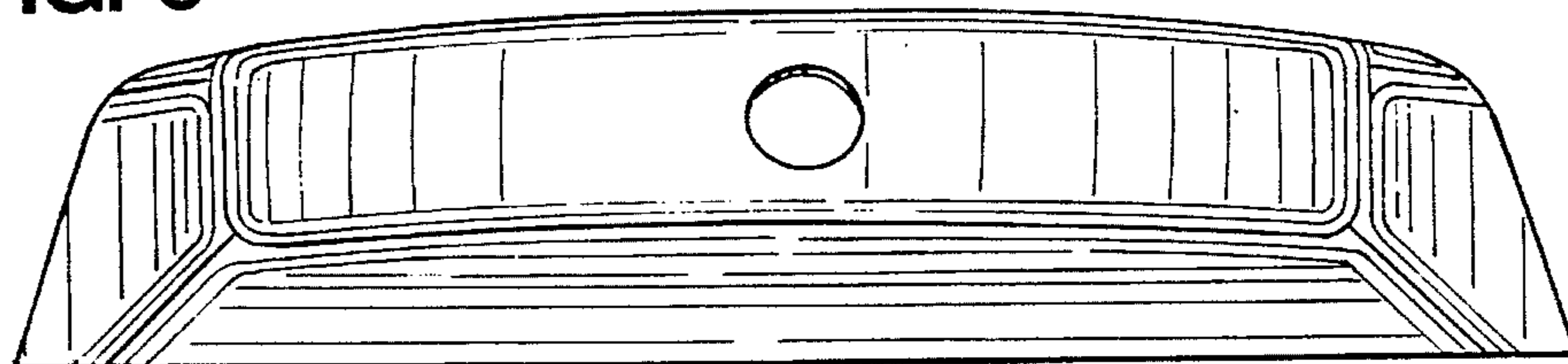


FIG. 4

FIG. 5

