



US00D365512S

United States Patent [19]
Mason

[11] **Patent Number: Des. 365,512**
[45] **Date of Patent: **Dec. 26, 1995**

[54] **COMBINED BEAM CLAMP AND CABLE CLAMP**

[76] Inventor: **Norman J. Mason**, 98 Storehill Rd., Old Westbury, N.Y. 11568

[**] Term: **14 Years**

[21] Appl. No.: **23,060**

[22] Filed: **May 17, 1994**

[52] U.S. Cl. **D8/394**

[58] **Field of Search** D8/394, 380, 73, D8/349, 382, 373, 367, 354; 248/228, 229, 340

[56] **References Cited**

U.S. PATENT DOCUMENTS

| | | | | |
|------------|---------|-----------|-------|-----------|
| D. 175,291 | 8/1955 | Ammon | | 248/229 |
| D. 266,481 | 10/1982 | Davies | | D8/73 |
| 1,580,302 | 4/1926 | Johnston | | 248/228 |
| 2,398,306 | 4/1946 | Hermanson | | 248/229 X |
| 2,677,503 | 5/1954 | Bodkin | | D8/354 X |
| 2,749,068 | 6/1956 | Wayman | | 248/229 |
| 3,146,982 | 9/1964 | Budnick | | 248/229 |
| 3,445,081 | 5/1969 | Roussos | | 248/340 X |

OTHER PUBLICATIONS

Jorgensen Adjustable Clamp Company Catalog, "C" clamp #82, bottom, left.

Primary Examiner—Lucy Lieberman
Attorney, Agent, or Firm—Galvano & Burke

[57] **CLAIM**

The ornamental design for a combination beam and cable clamp, as shown and described.

DESCRIPTION

FIG. 1 is a perspective view of my combined beam clamp and cable clamp, with the beam and cable being shown in phantom view;

FIG. 2 is a plan view thereof;

FIG. 3 is a side elevational view thereof, the other side being a reverse image thereof;

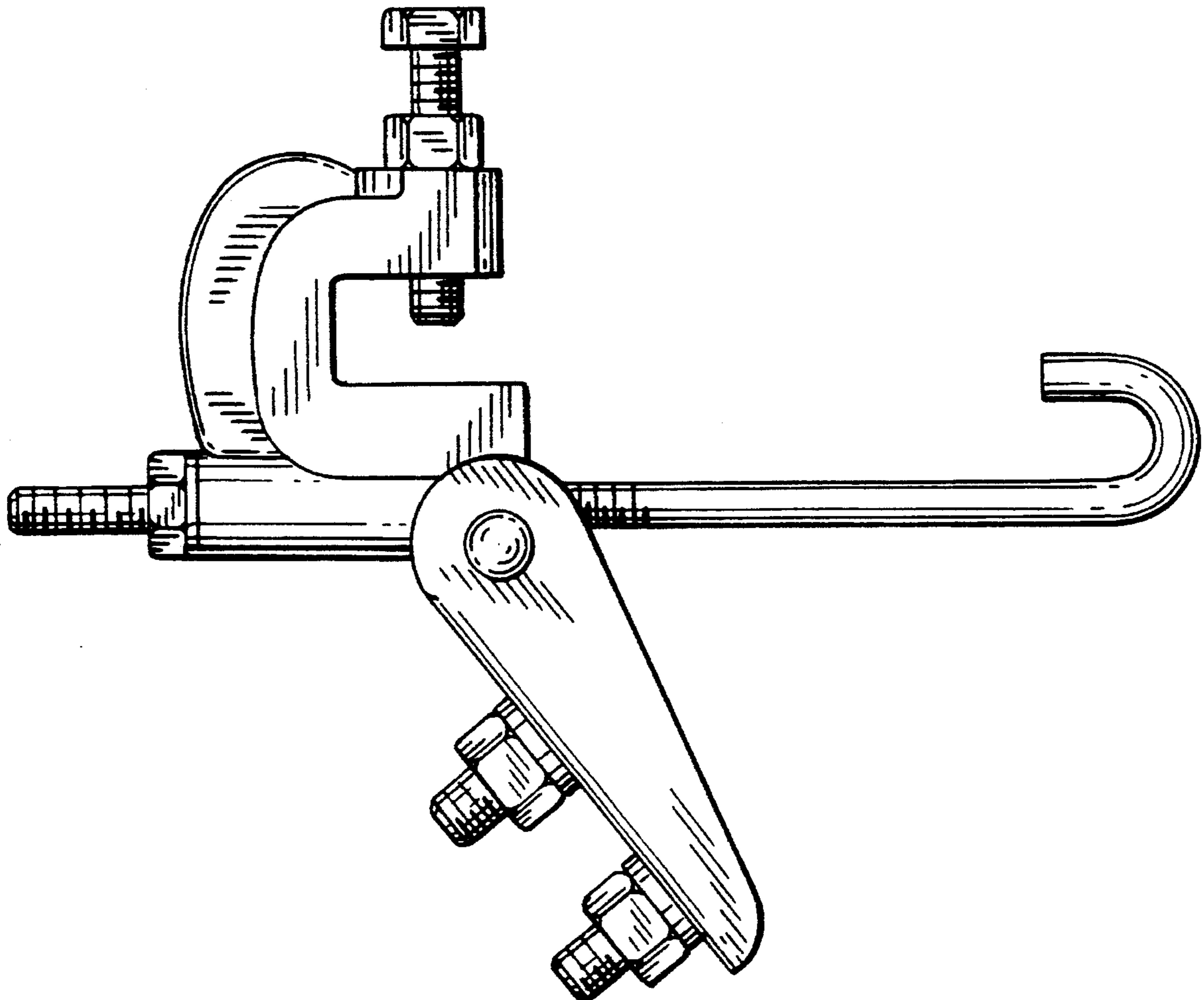
FIG. 4 is a front elevational view thereof;

FIG. 5 is a rear elevational view thereof; and,

FIG. 6 is a bottom view thereof.

The broken lines showing a beam and a cable in FIG. 1 are for illustrative purposes only and do not form part of the claimed design.

1 Claim, 3 Drawing Sheets



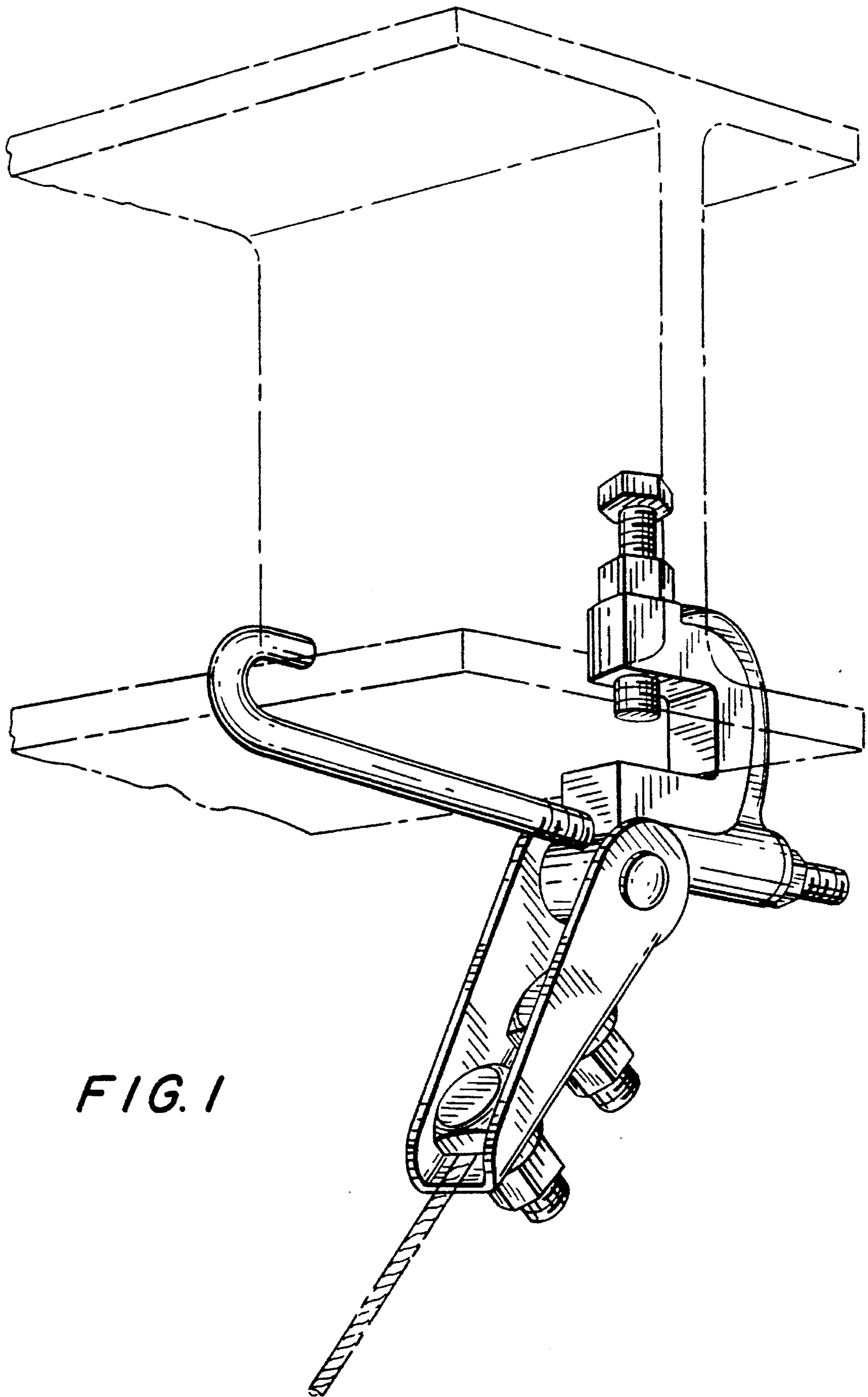


FIG. 1

FIG. 2

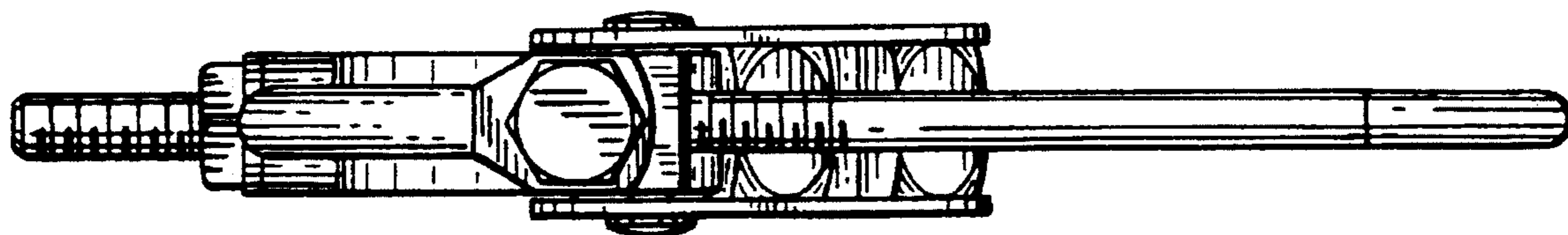


FIG. 3

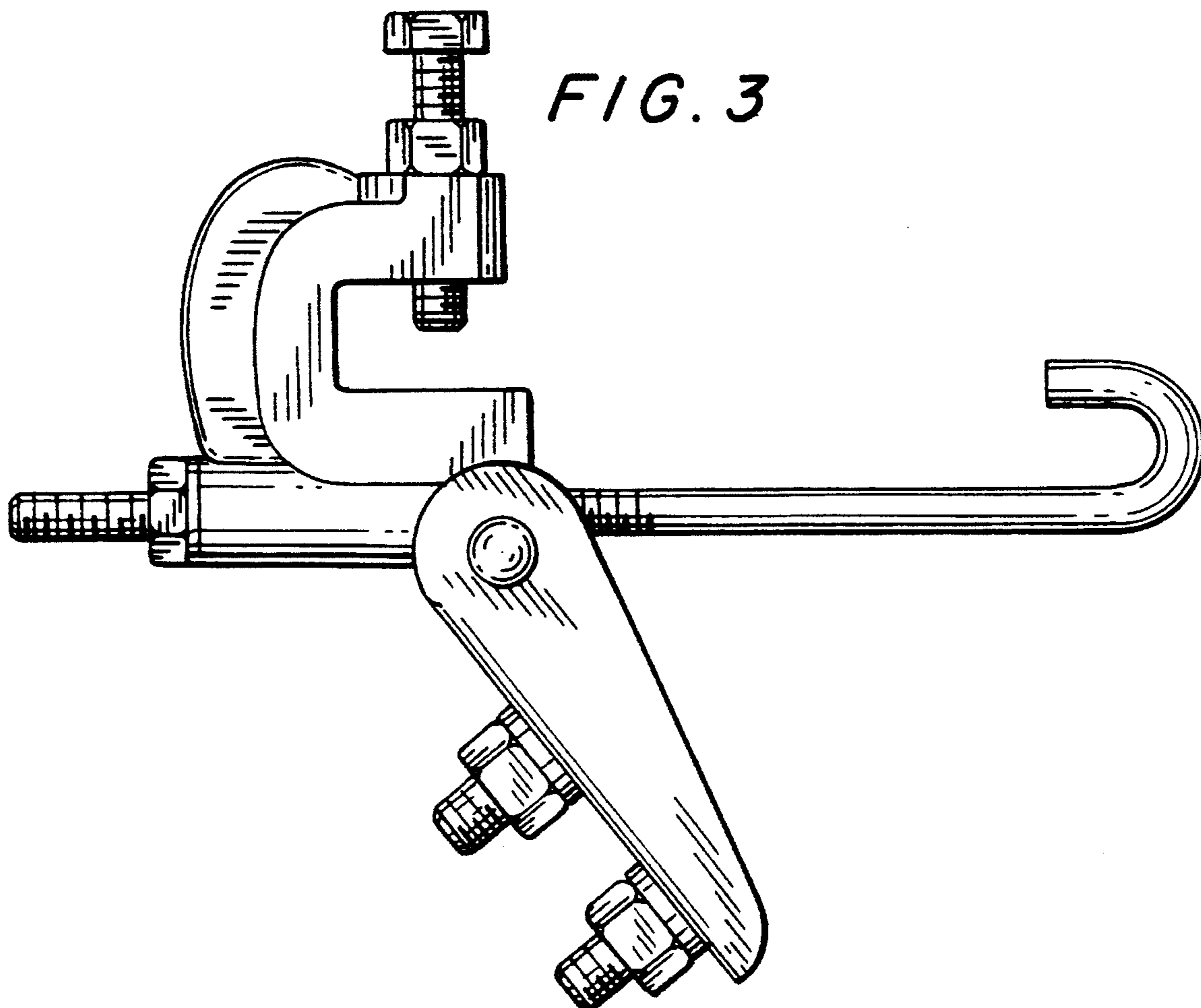


FIG. 4

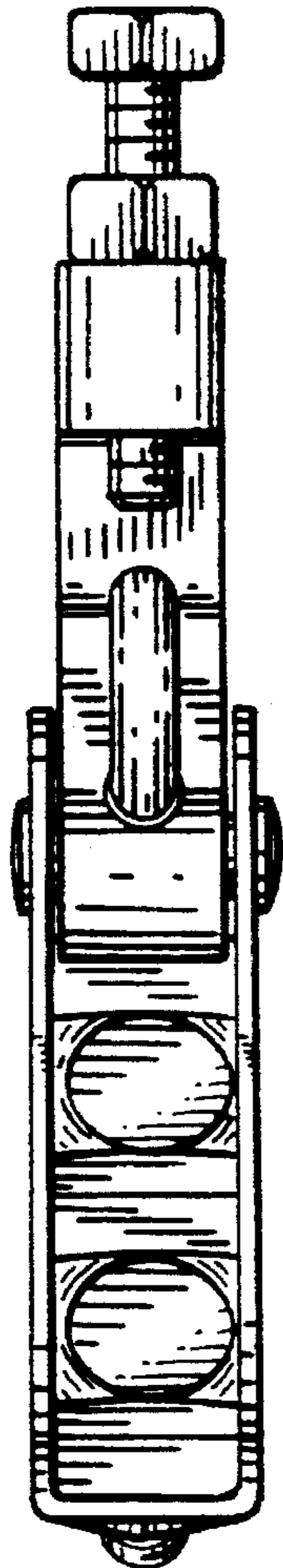


FIG. 5

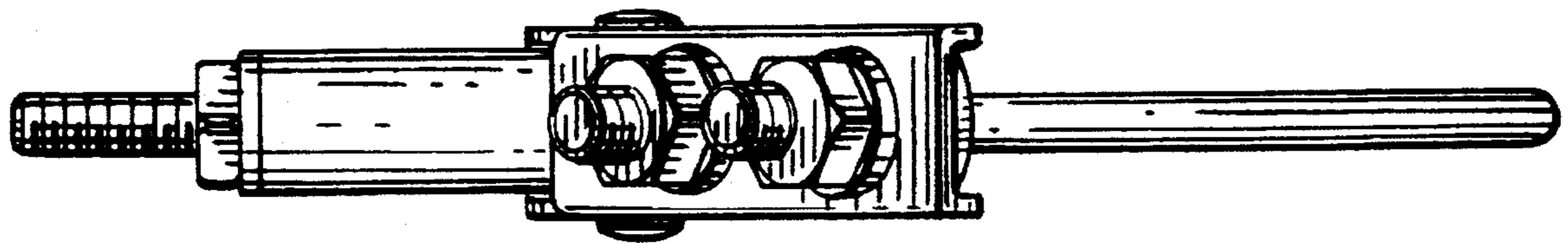
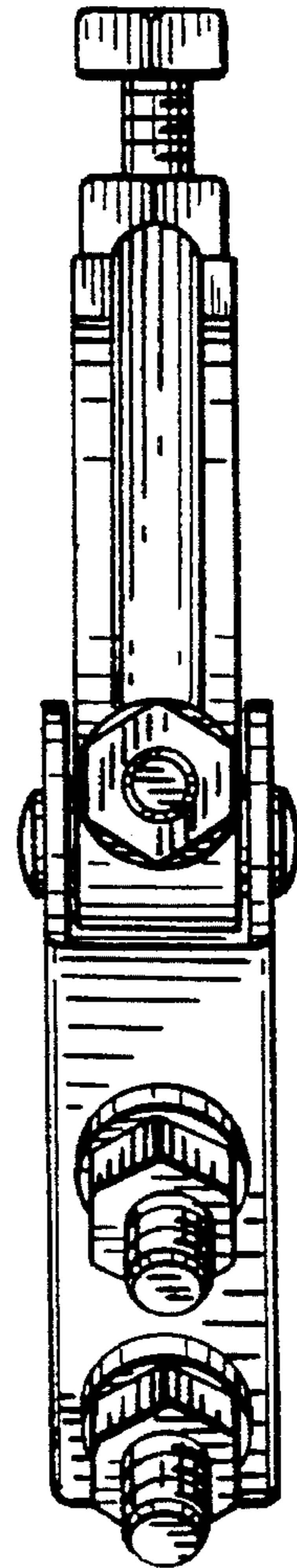


FIG. 6