



US00D365508S

United States Patent [19]
Koch

[11] **Patent Number: Des. 365,508**

[45] **Date of Patent: **Dec. 26, 1995**

[54] **DISC LETTER OPENER**

[76] Inventor: **Stuart L. Koch**, 1917 Midland,
Highland Park, Ill. 60035

[**] Term: **14 Years**

[21] Appl. No.: **21,097**

[22] Filed: **Apr. 8, 1994**

[52] U.S. Cl. **D8/102**

[58] **Field of Search** D8/102-104; D20/19,
D20/39, 40, 41; 30/2, 289, 294, DIG. 3

[56] **References Cited**

U.S. PATENT DOCUMENTS

D. 342,201	12/1993	Hsu	D8/102
D. 344,227	2/1994	Hsu	D8/102
2,442,694	6/1948	Keiser	30/289
2,610,399	9/1952	Adams	30/294

FOREIGN PATENT DOCUMENTS

1147351	7/1957	France	30/294
154957	6/1956	Sweden	30/294

Primary Examiner—Terry A. Wallace
Assistant Examiner—Adir Aronovich
Attorney, Agent, or Firm—Dick and Harris

[57] **CLAIM**

The ornamental design for a disc letter opener, as shown and described.

DESCRIPTION

FIG. 1 is a front perspective view of a disc letter opener showing my new design;

FIG. 2 is a front elevational view thereof;

FIG. 3 is a back elevation thereof;

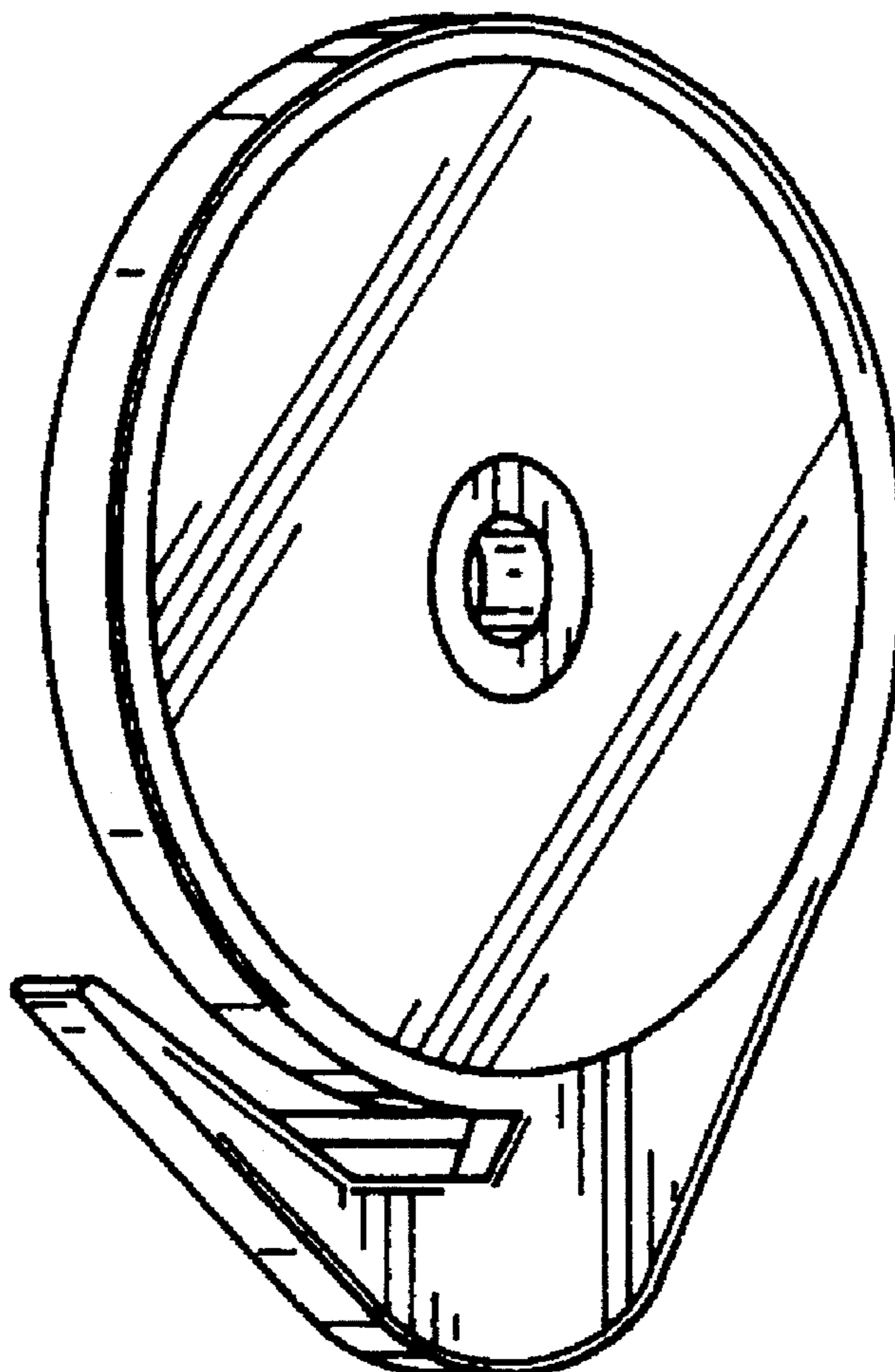
FIG. 4 is a top plan view thereof;

FIG. 5 is a bottom plan view thereof;

FIG. 6 is a left side elevation thereof; and,

FIG. 7 is a right side elevation thereof.

1 Claim, 1 Drawing Sheet



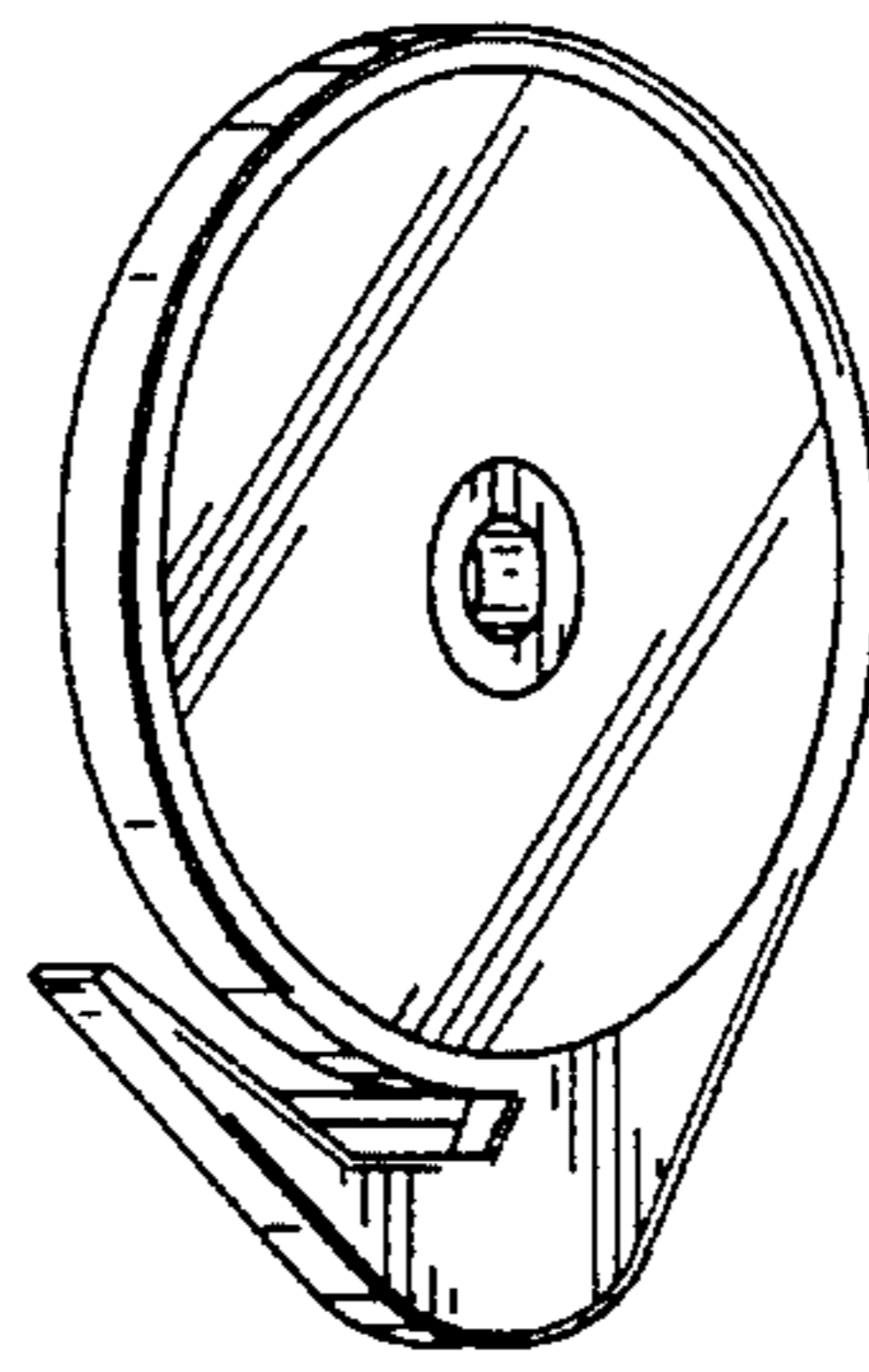


FIG. 1

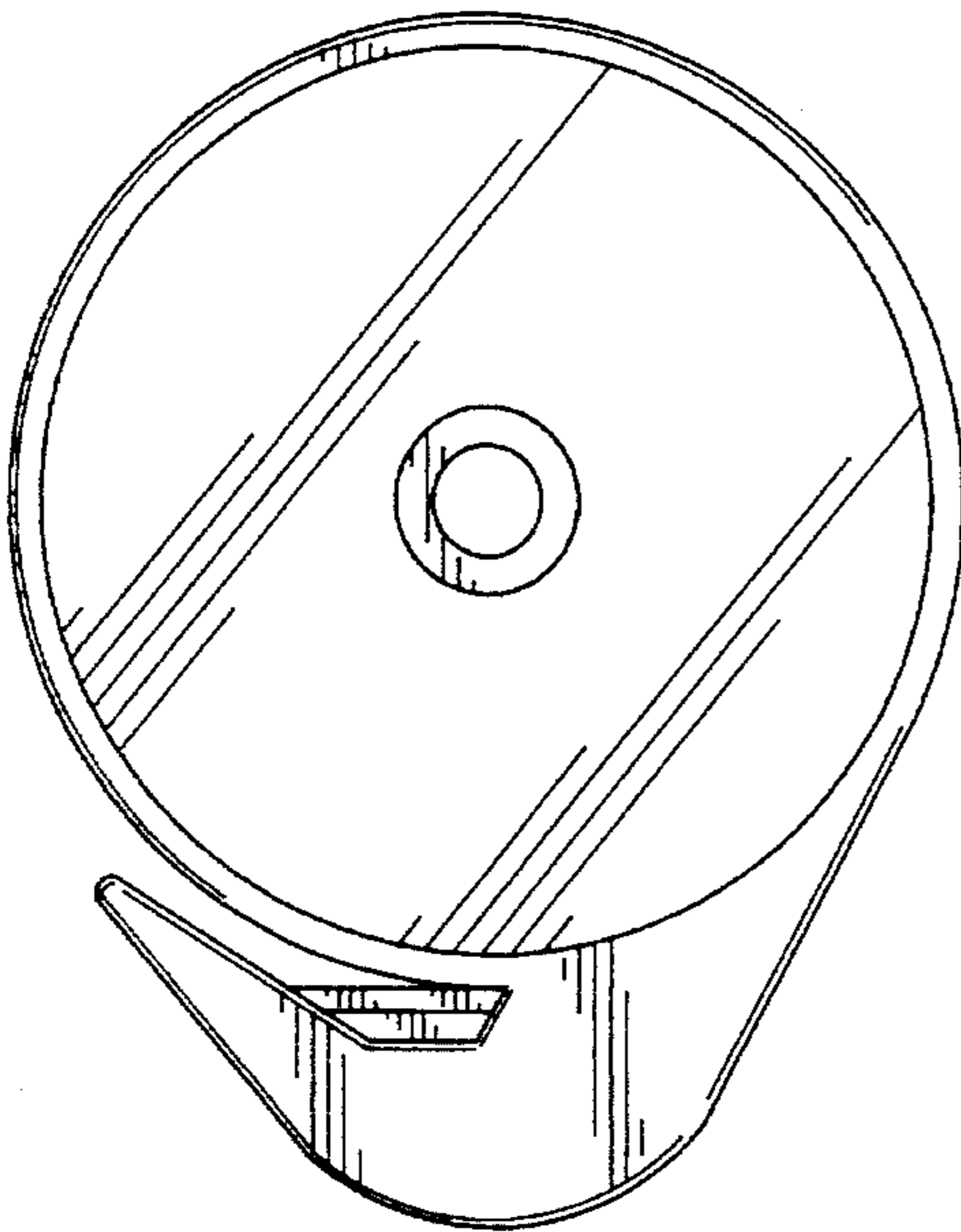


FIG. 2

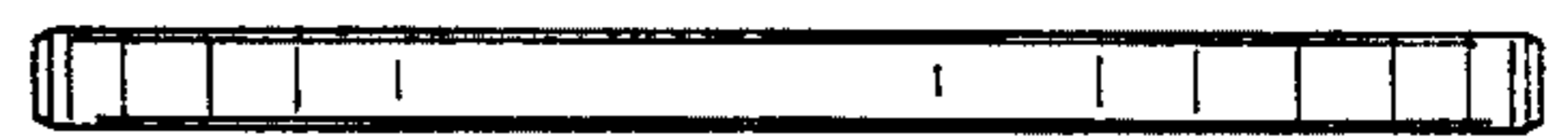


FIG. 4



FIG. 5

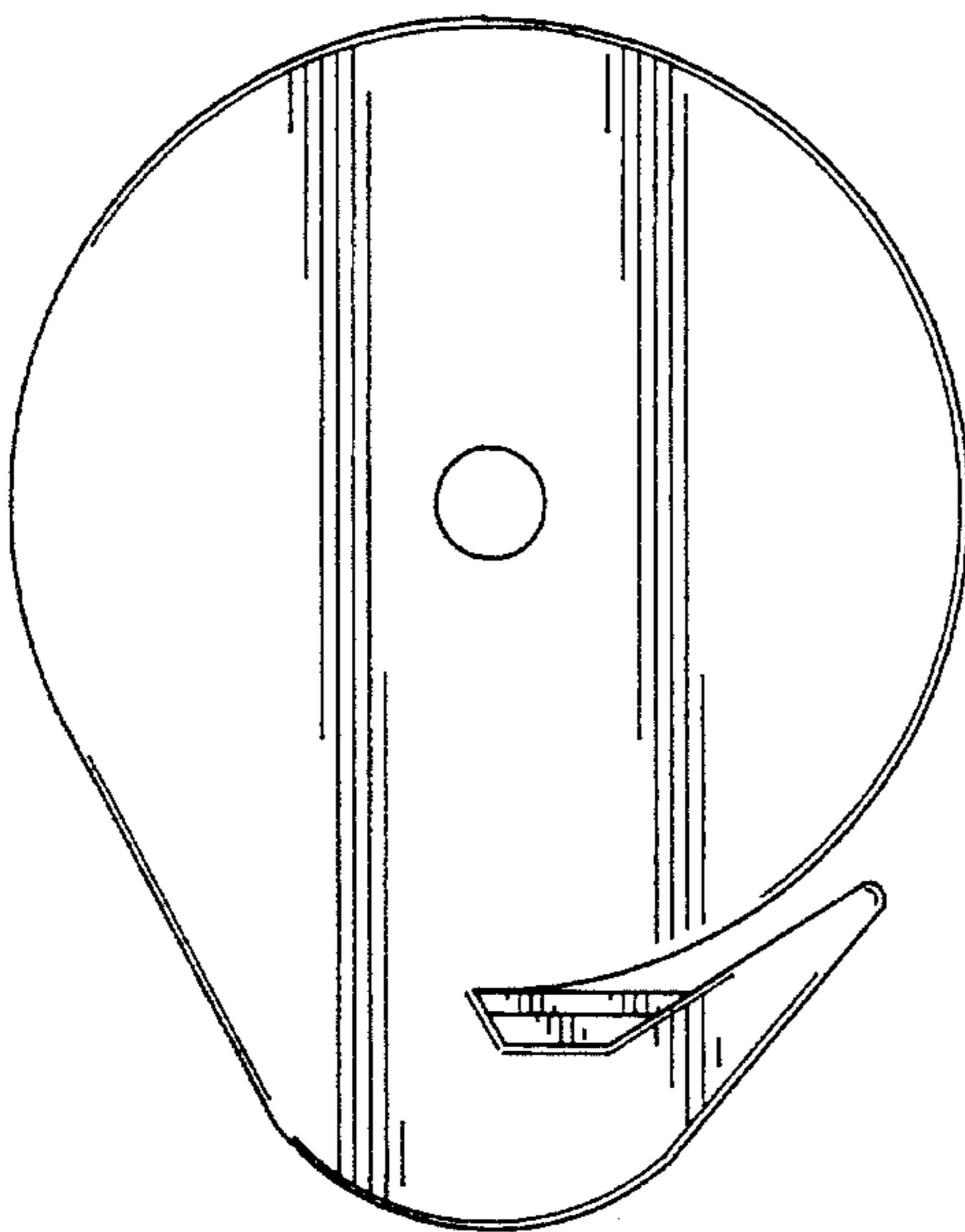


FIG. 3



FIG. 6



FIG. 7