



US00D365507S

United States Patent [19]

[11] Patent Number: **Des. 365,507**

Pope

[45] Date of Patent: ****Dec. 26, 1995**

[54] **BELT SANDING BLOCK**

5,168,672 12/1992 Gregoire, Sr. 451/525
5,172,524 12/1992 Poss .

[76] Inventor: **William E. Pope**, 5025 Spriggs Dr.,
Mt. Airy, Md. 21771

Primary Examiner—Ted Shooman
Assistant Examiner—Philip Hyder

[**] Term: **14 Years**

[57] **CLAIM**

[21] Appl. No.: **18,561**

The ornamental design for the belt sanding block, as shown and described.

[22] Filed: **Feb. 9, 1994**

[52] U.S. Cl. **D8/90**

DESCRIPTION

[58] Field of Search D8/90, 91, 45;
451/523, 524, 525

FIG. 1 is a front elevational view of the belt sanding block showing my new design;

[56] References Cited

U.S. PATENT DOCUMENTS

D. 96,630	8/1935	Smith	D8/90
D. 329,583	9/1992	Medina	D8/90
1,722,183	7/1929	Thomas	451/525
2,457,076	12/1948	Williams, Jr. et al.	451/525
2,492,602	12/1949	Stenberg et al.	451/523
2,605,593	8/1952	Opland	451/523
2,765,593	10/1956	Salmon et al.	451/524
2,904,939	9/1959	Raia	451/524
4,242,843	1/1981	Phillips .	
4,249,349	2/1981	Rueb .	

FIG. 2 is a rear elevational view thereof;

FIG. 3 is a left side elevational view thereof;

FIG. 4 is a right side elevational view thereof;

FIG. 5 is a top plan view thereof;

FIG. 6 is a bottom plan view thereof;

FIG. 7 is a perspective view thereof; and,

FIG. 8 is a cross-sectional view thereof, taken along line 8—8 of FIG. 5.

The broken line showing of the removable upper portion in FIG. 2 is for illustrative purposes only and forms no part of the claimed design.

1 Claim, 4 Drawing Sheets

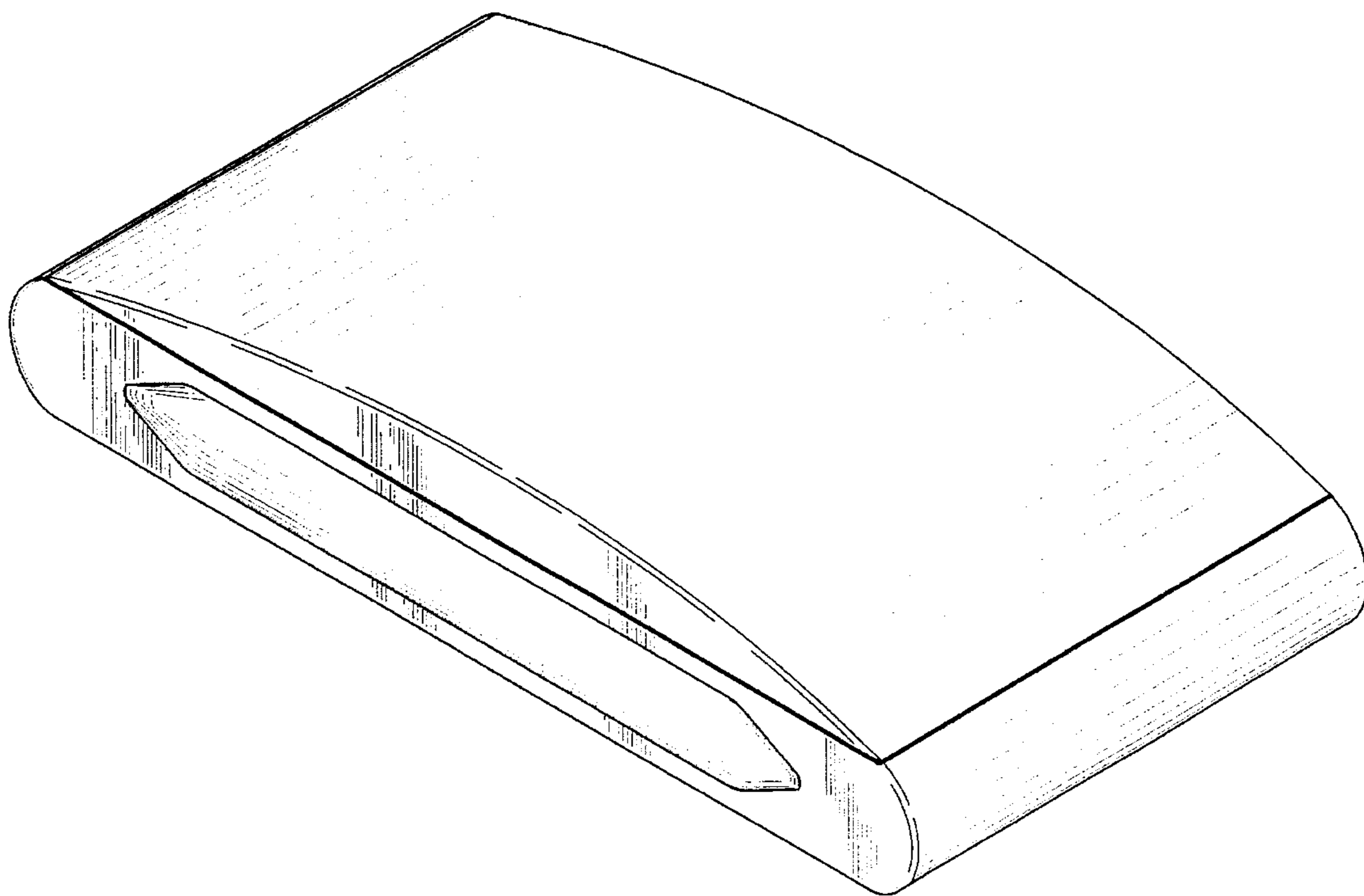


FIG. 1

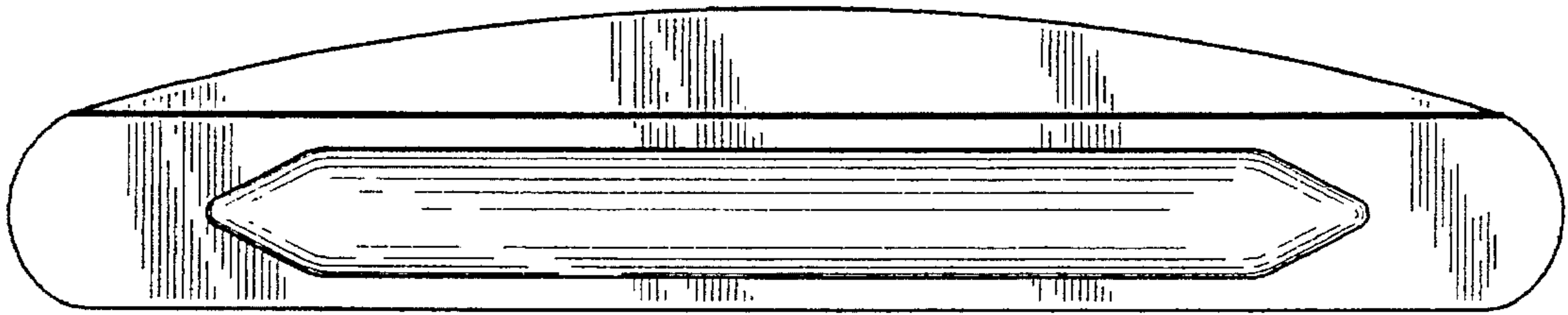


FIG. 2

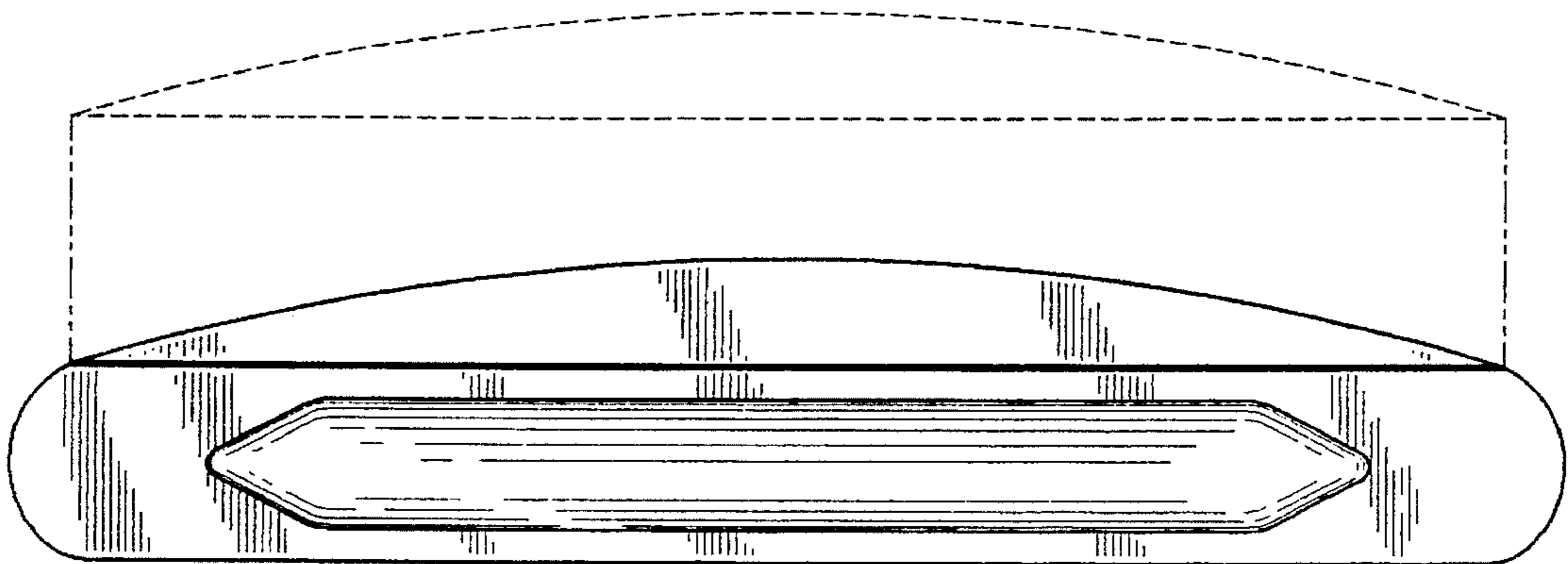


FIG. 3

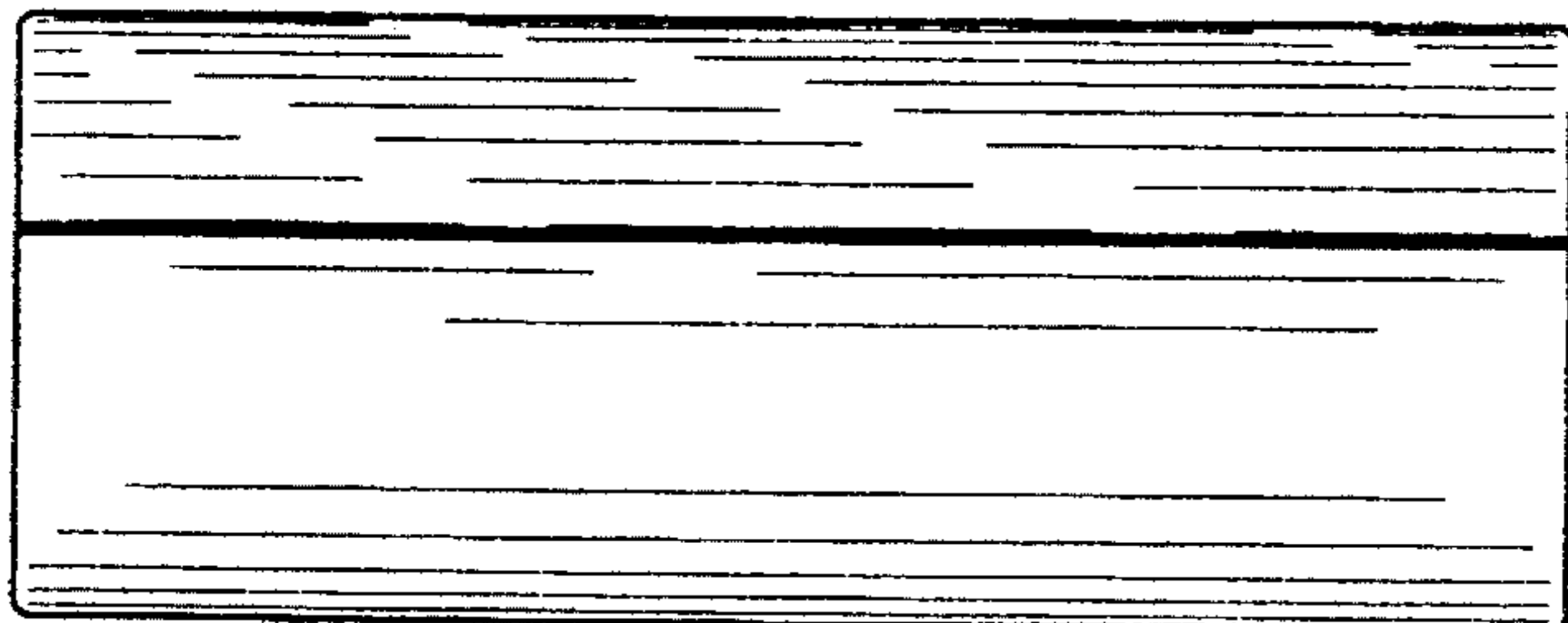


FIG. 4

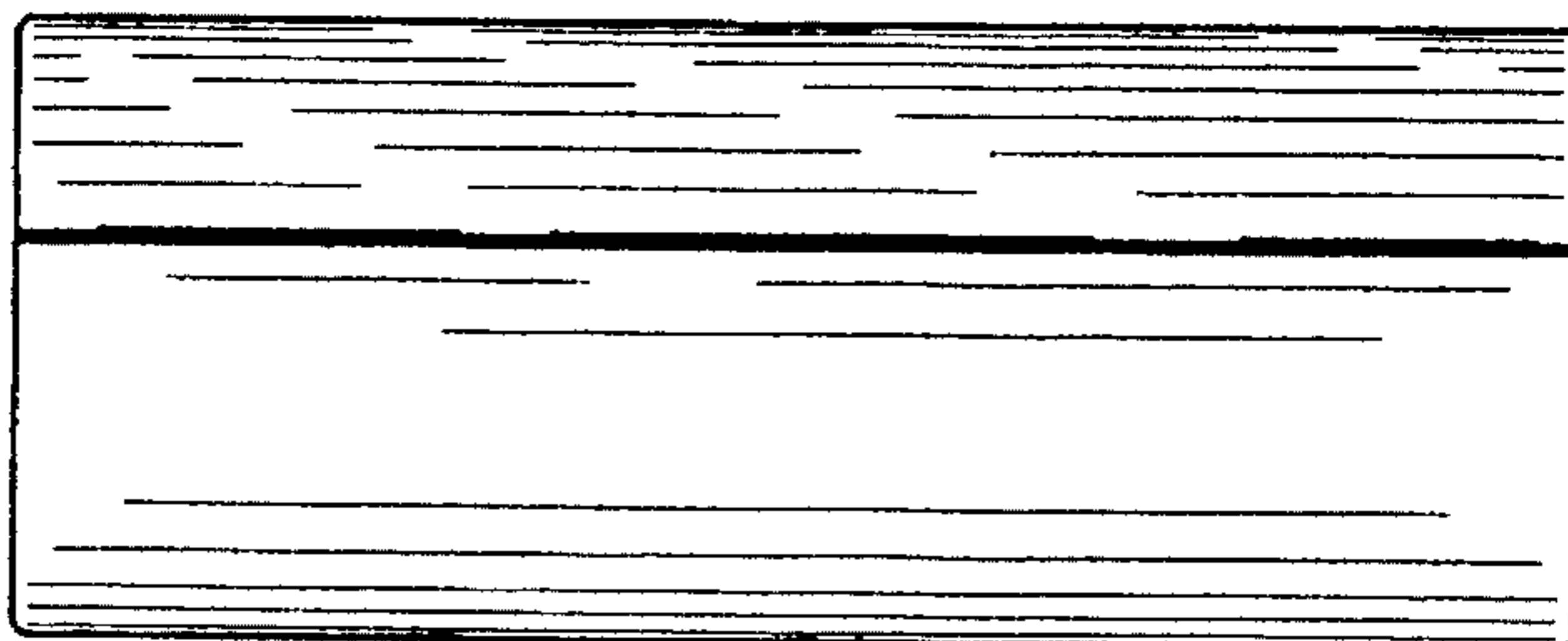


FIG. 5

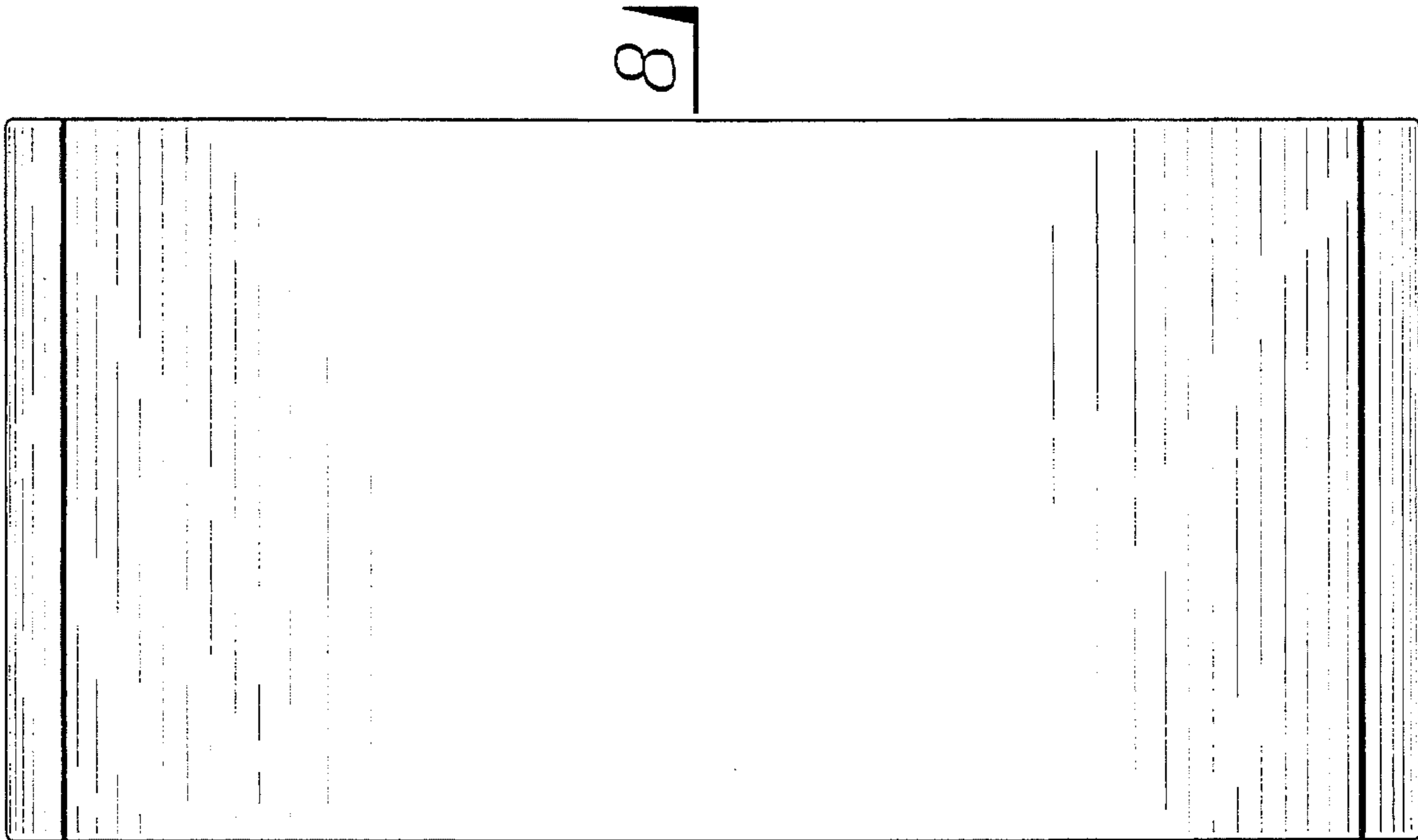


FIG. 6

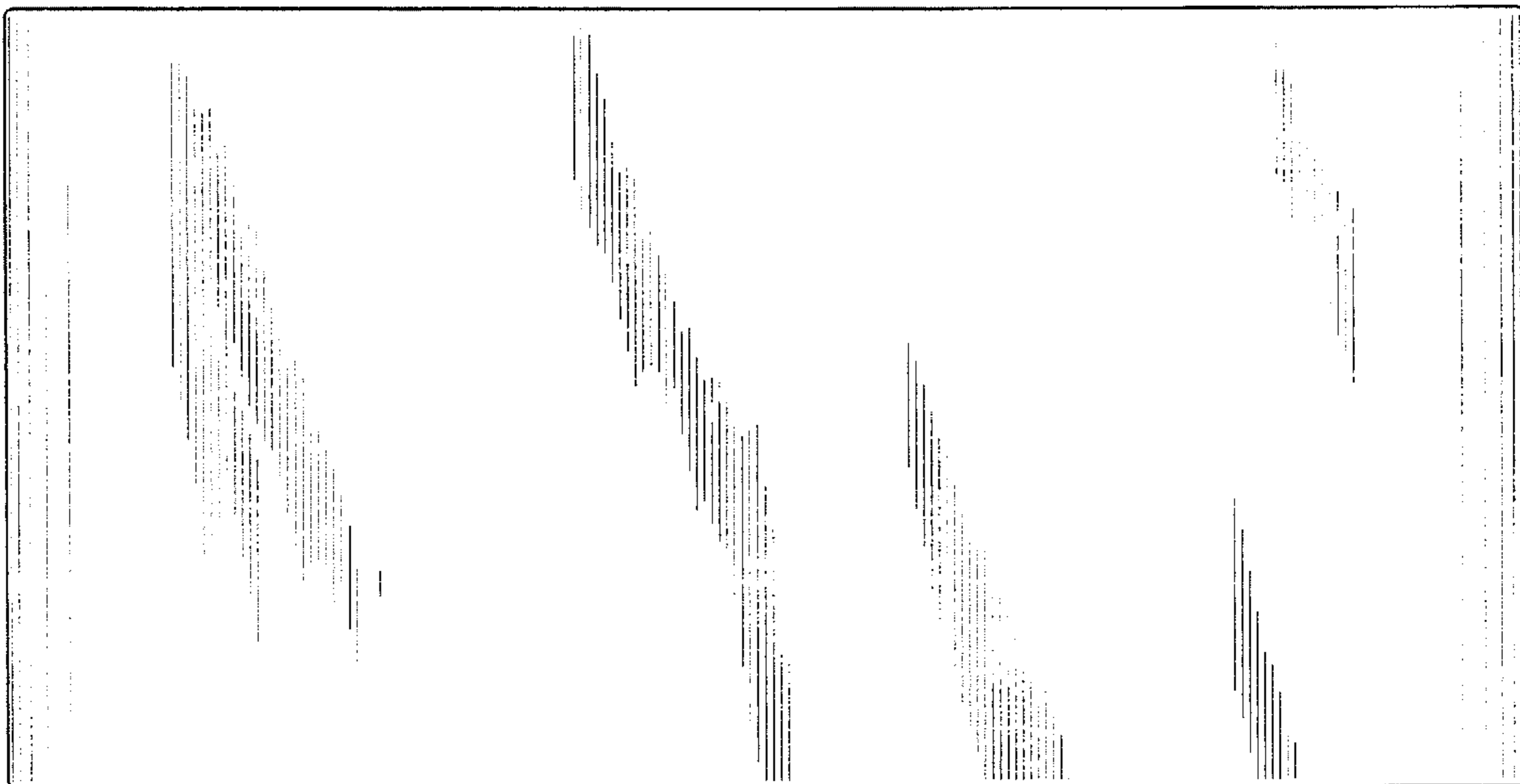


FIG. 7

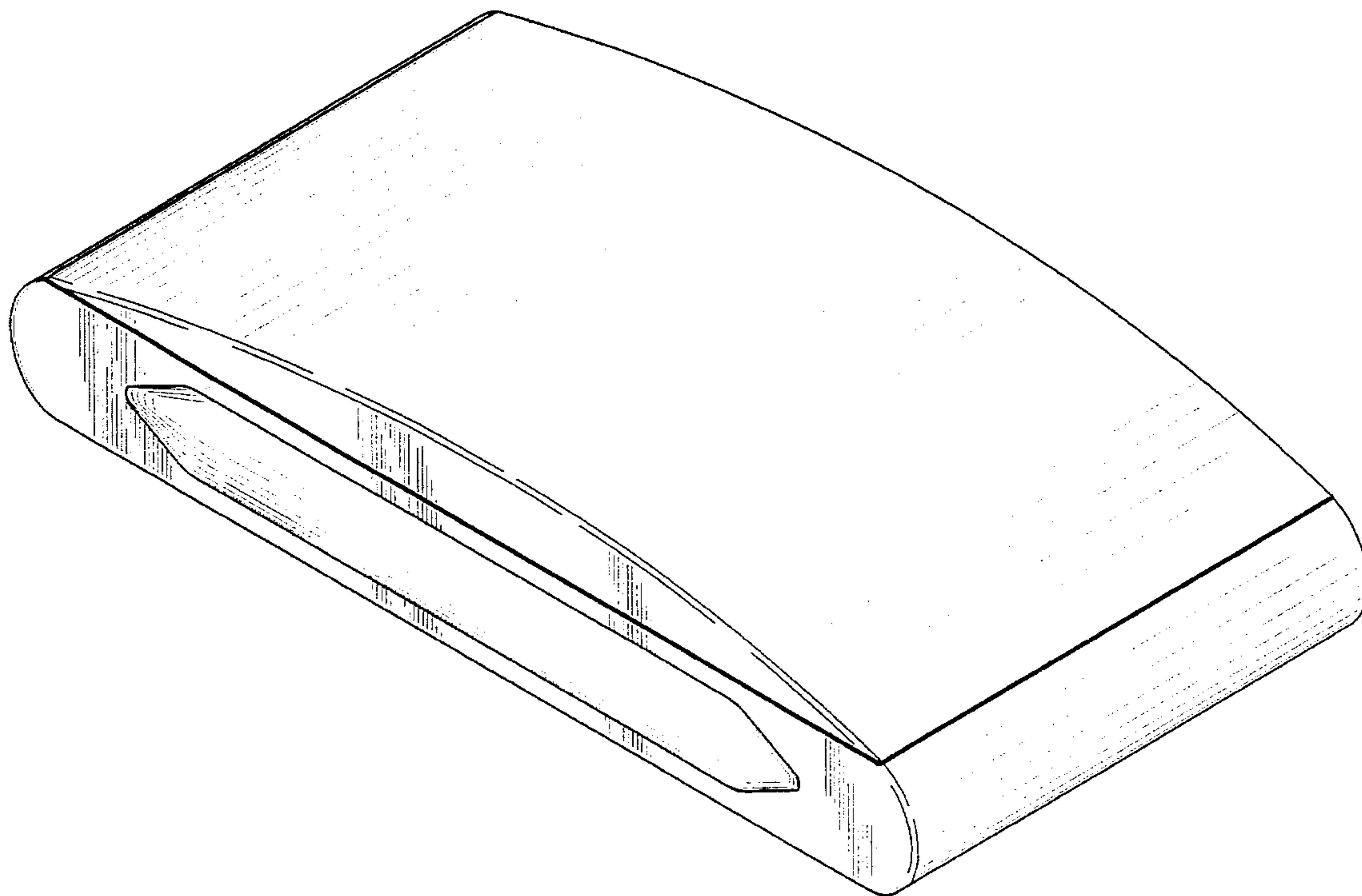


FIG. 8

