



US00D365505S

**United States Patent** [19]  
**Raya**

[11] **Patent Number: Des. 365,505**

[45] **Date of Patent: \*\*Dec. 26, 1995**

[54] **REINFORCING AND CUTTING ATTACHMENT FOR A CHAIN SAW**

[76] Inventor: **Ruben N. Raya**, 946 W. Brook St., Santa Ana, Calif. 92703

[\*\*] Term: **14 Years**

[21] Appl. No.: **29,603**

[22] Filed: **Oct. 11, 1994**

[52] U.S. Cl. .... **D8/70**

[58] Field of Search ..... D8/61, 65, 70; D15/1; 30/381, 382, 383; 83/788, 814

[56] **References Cited**

**U.S. PATENT DOCUMENTS**

Re. 24,588	1/1959	Budd	30/383
3,661,469	5/1972	Leff et al.	D8/70
5,123,524	6/1992	Lyons	30/382
5,150,524	9/1992	Hall	30/382

*Primary Examiner*—Alan P. Douglas  
*Assistant Examiner*—Robert W. Spear  
*Attorney, Agent, or Firm*—Willie Krawitz

[57] **CLAIM**

The ornamental design for a reinforcing and cutting attachment for a chain saw, as shown.

**DESCRIPTION**

FIG. 1 is a perspective view of a reinforcing and cutting attachment for a chain saw showing my new design; FIG. 2 is a right side elevation view thereof; FIG. 3 is a rear end elevation view thereof; FIG. 4 is a front end elevation view thereof; FIG. 5 is a top plan view thereof; FIG. 6 is a bottom view thereof; and, FIG. 7 is a left side elevation view thereof.

**1 Claim, 1 Drawing Sheet**

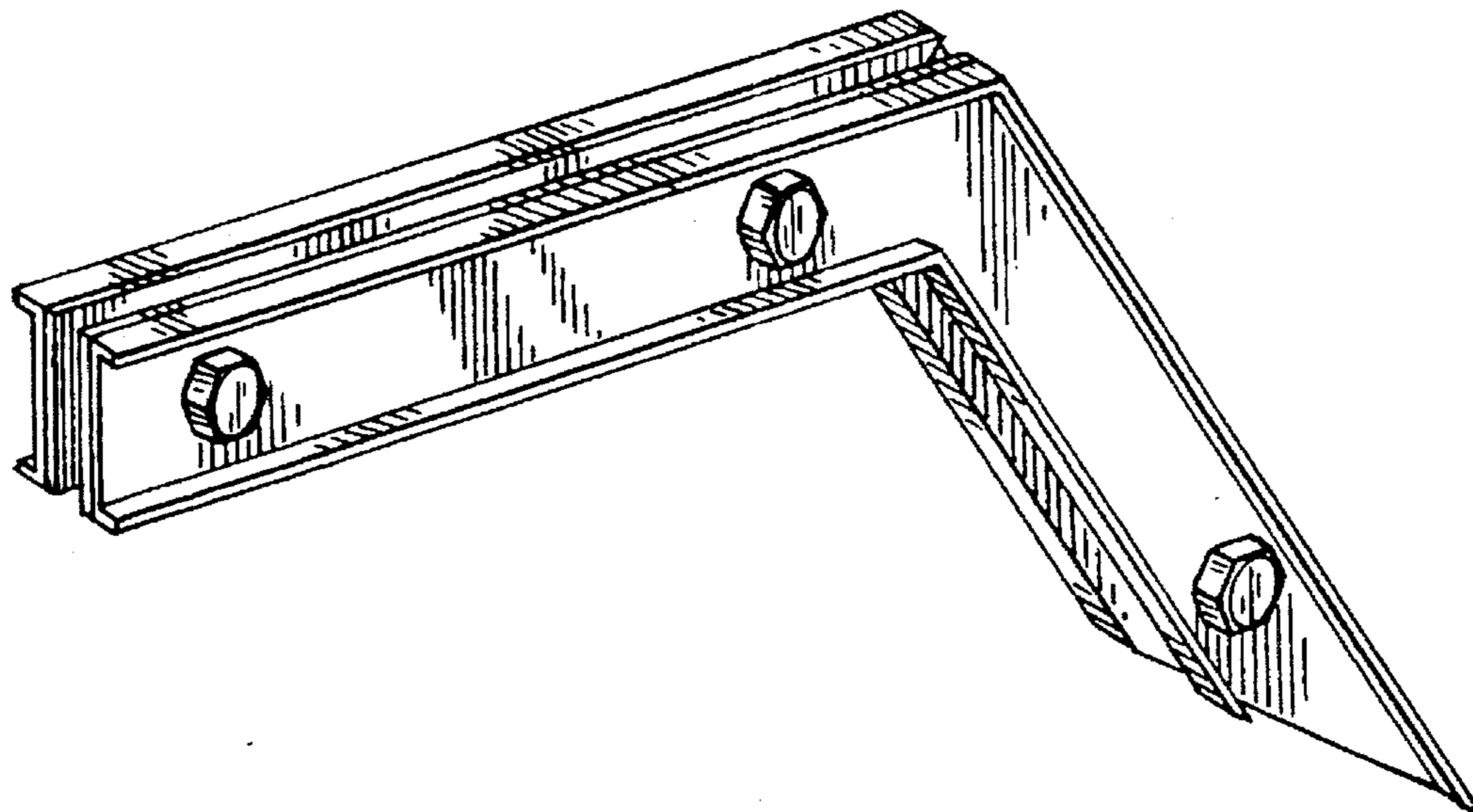


FIG. 1

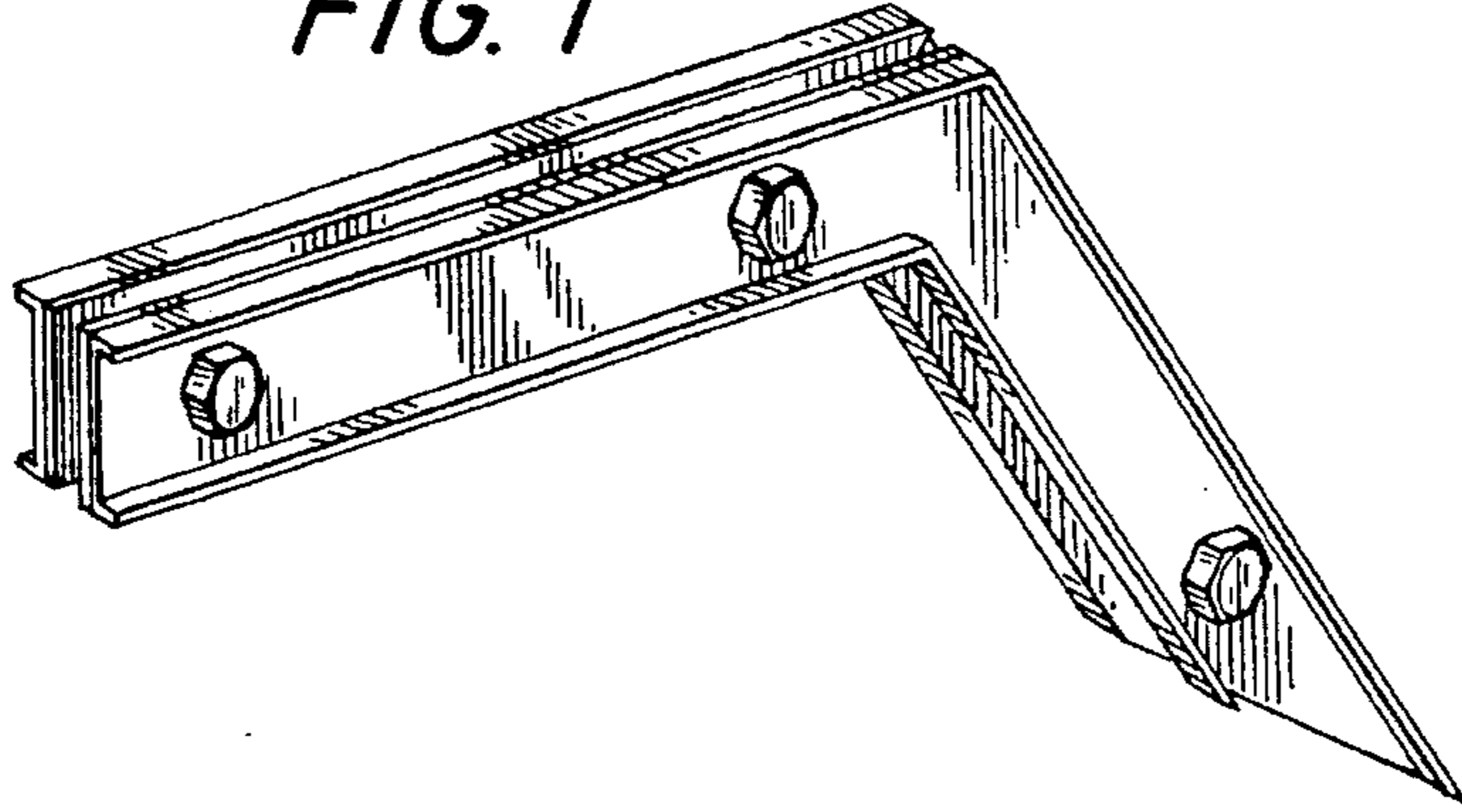


FIG. 3

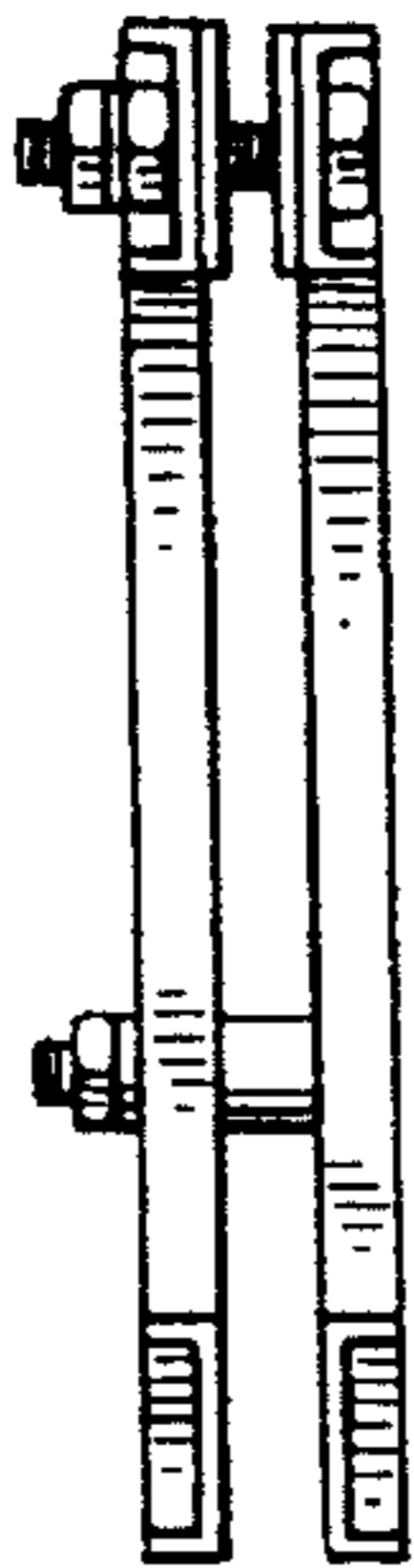


FIG. 2

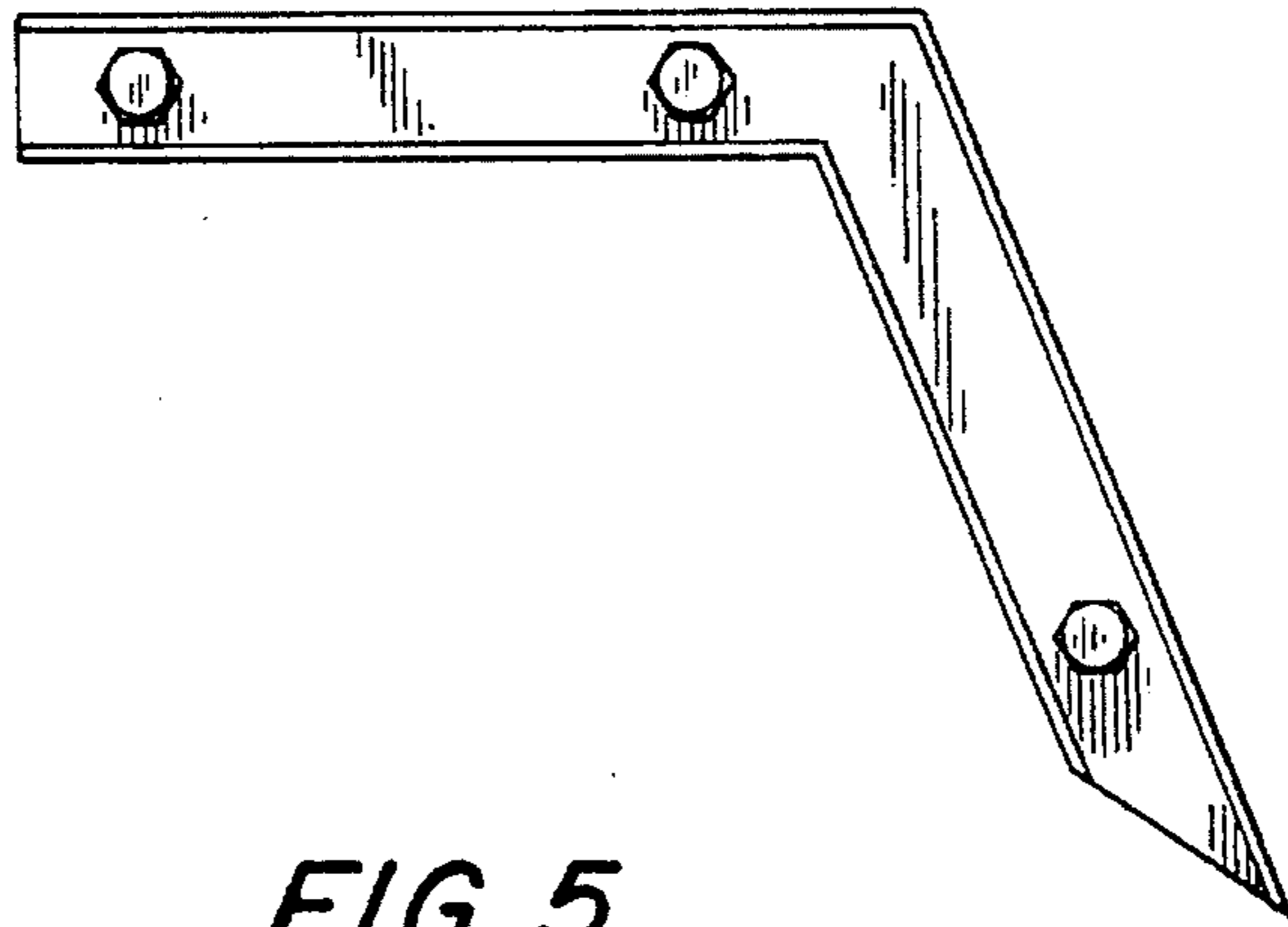


FIG. 4

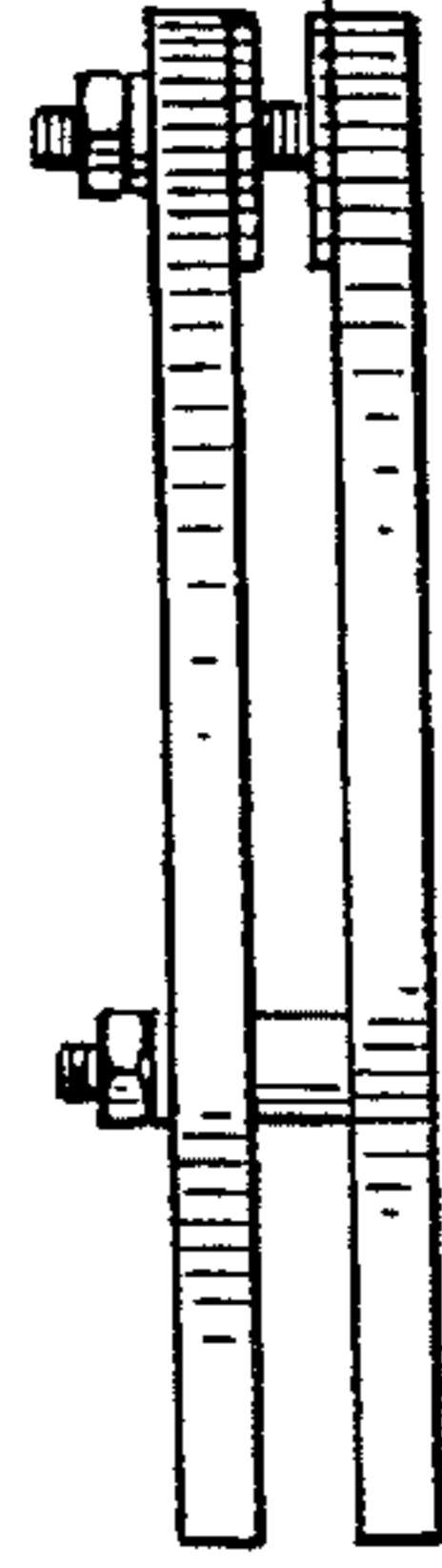


FIG. 5

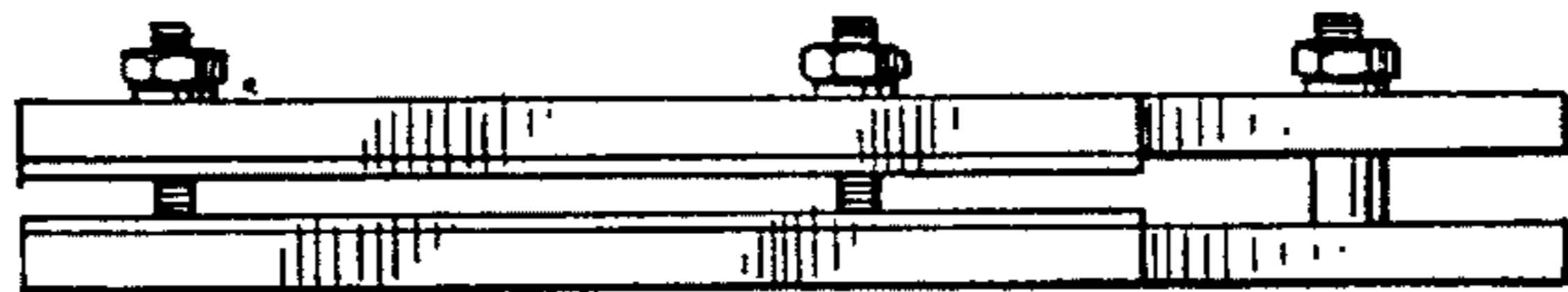


FIG. 6

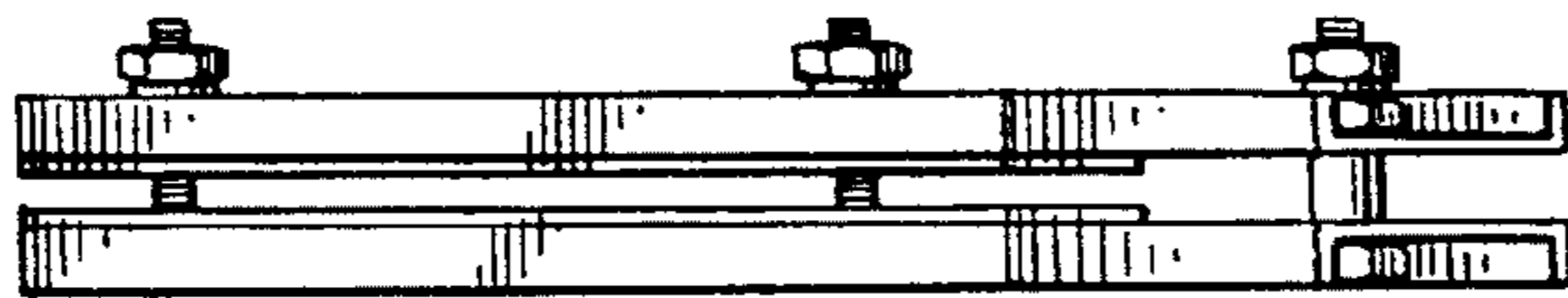


FIG. 7

