



US00D365501S

United States Patent [19]

[11] Patent Number: **Des. 365,501**

Daugherty et al.

[45] Date of Patent: ****Dec. 26, 1995**

[54] INSERT PAN

OTHER PUBLICATIONS

[75] Inventors: **Jonathan M. Daugherty**, Wilkes-Barre, Pa.; **Fred S. Fonville**, Stephens City, Va.

Page 30, Food pans, The Vollrath Company, 1236 North 18th St. Sheboygan, Wis. 53081. Publication date Jan., 1994.

[73] Assignee: **Rubbermaid Commercial Products Inc.**, Winchester, Va.

Catalog page, Food pans; Cidelcem Industrues, address unknown. Publication date 1992.

[**] Term: **14 Years**

Pp. 4, 8 and 10, Food containers; Rubbermaid Commercial Products Inc., 3124 Valley Ave., Winchester, Va 22601. Publication date 1992.

[21] Appl. No.: **30,868**

Primary Examiner—Terry A. Wallace
Attorney, Agent, or Firm—Richard B. O'Planick; Lisa B. Riedesel

[22] Filed: **Nov. 10, 1994**

[52] U.S. Cl. **D7/602; D7/354; D7/360**

[58] **Field of Search** D7/354, 356, 359, D7/360, 602, 538-549; D9/414, 424, 430-432; 220/574; 99/324, 339, 426

[57] CLAIM

The ornamental design for an insert pan, as shown and described.

[56] References Cited

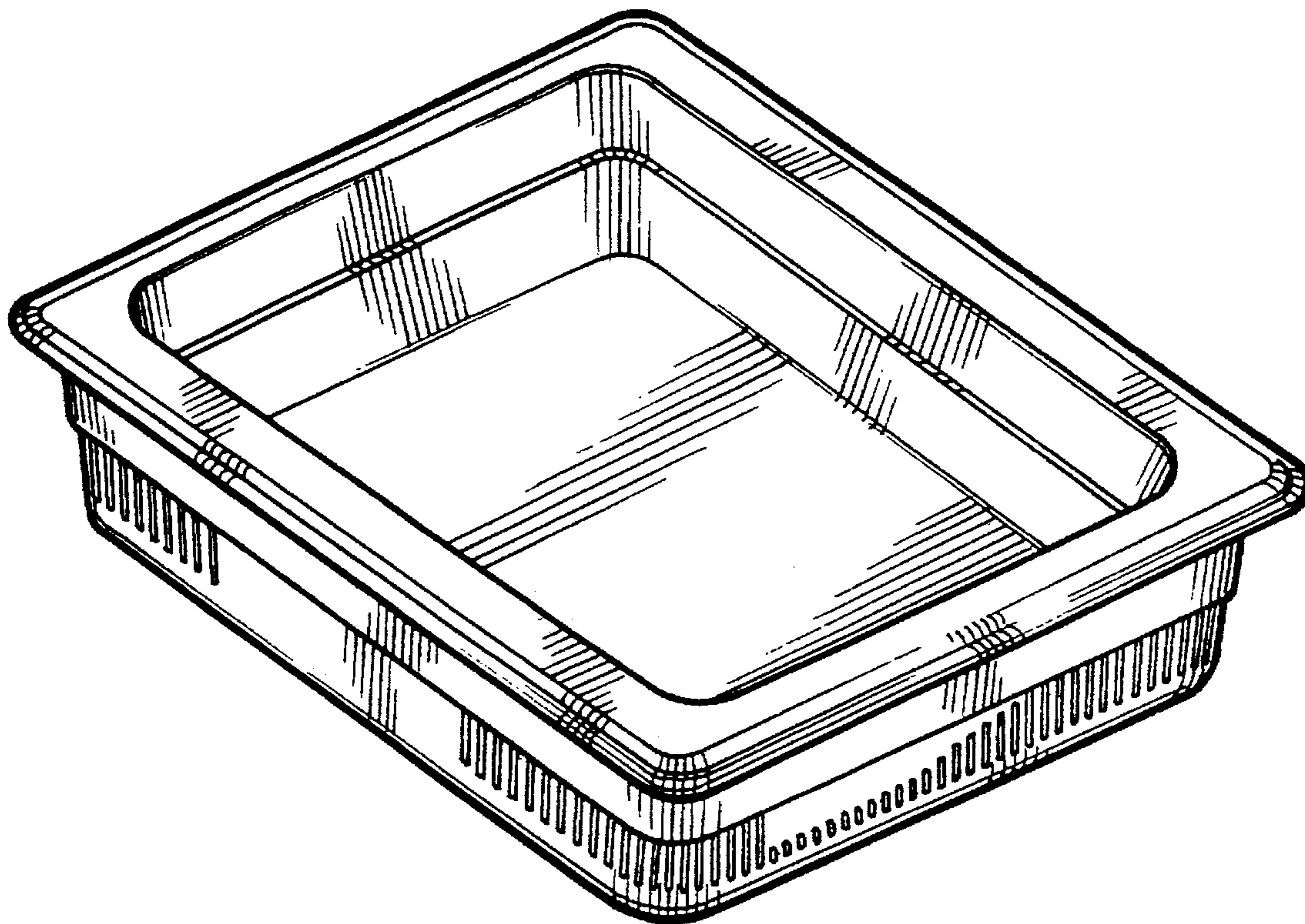
DESCRIPTION

U.S. PATENT DOCUMENTS

D. 34,166	3/1901	Bertels	D7/602
D. 174,506	4/1955	Levenhagen	D7/602
D. 238,148	12/1975	Dilot .	
D. 246,342	11/1977	Yonkers .	
D. 281,048	10/1985	Wolff	D7/602
D. 305,393	1/1990	Stewart	D7/545
D. 350,669	9/1994	Conti .	
D. 351,765	10/1994	Beeler et al. .	
3,112,948	12/1963	Burns	294/27.1
4,499,998	2/1985	Carlson .	

FIG. 1 is a top, right, front perspective view of an insert pan showing our new design;
FIG. 2 is a top plan view thereof;
FIG. 3 is a front elevational view thereof; the rear elevational view being a mirror image;
FIG. 4 is a right side elevational view thereof; the left side elevational view being a mirror image; and,
FIG. 5 is a bottom plan view thereof.

1 Claim, 2 Drawing Sheets



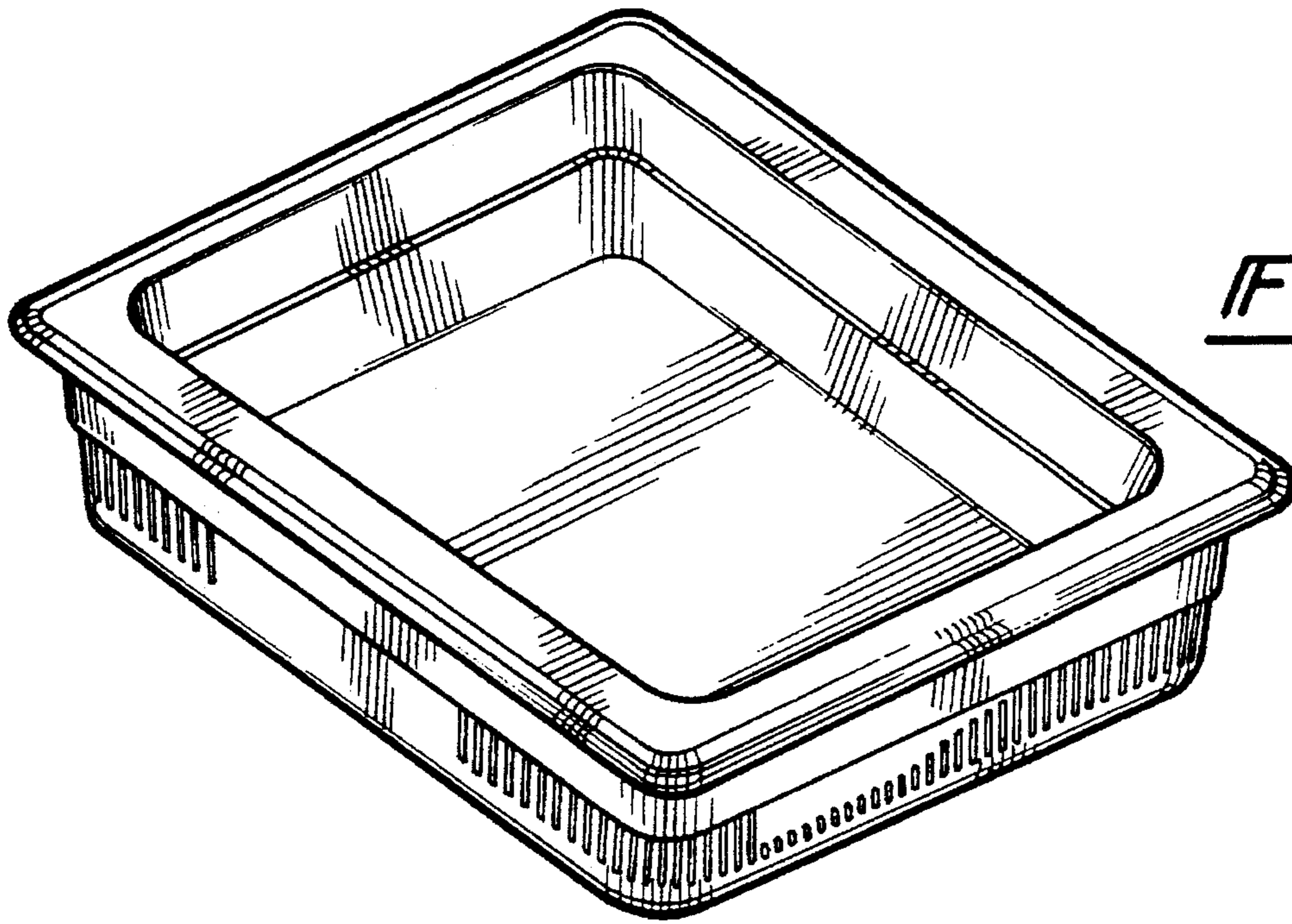


Fig-1

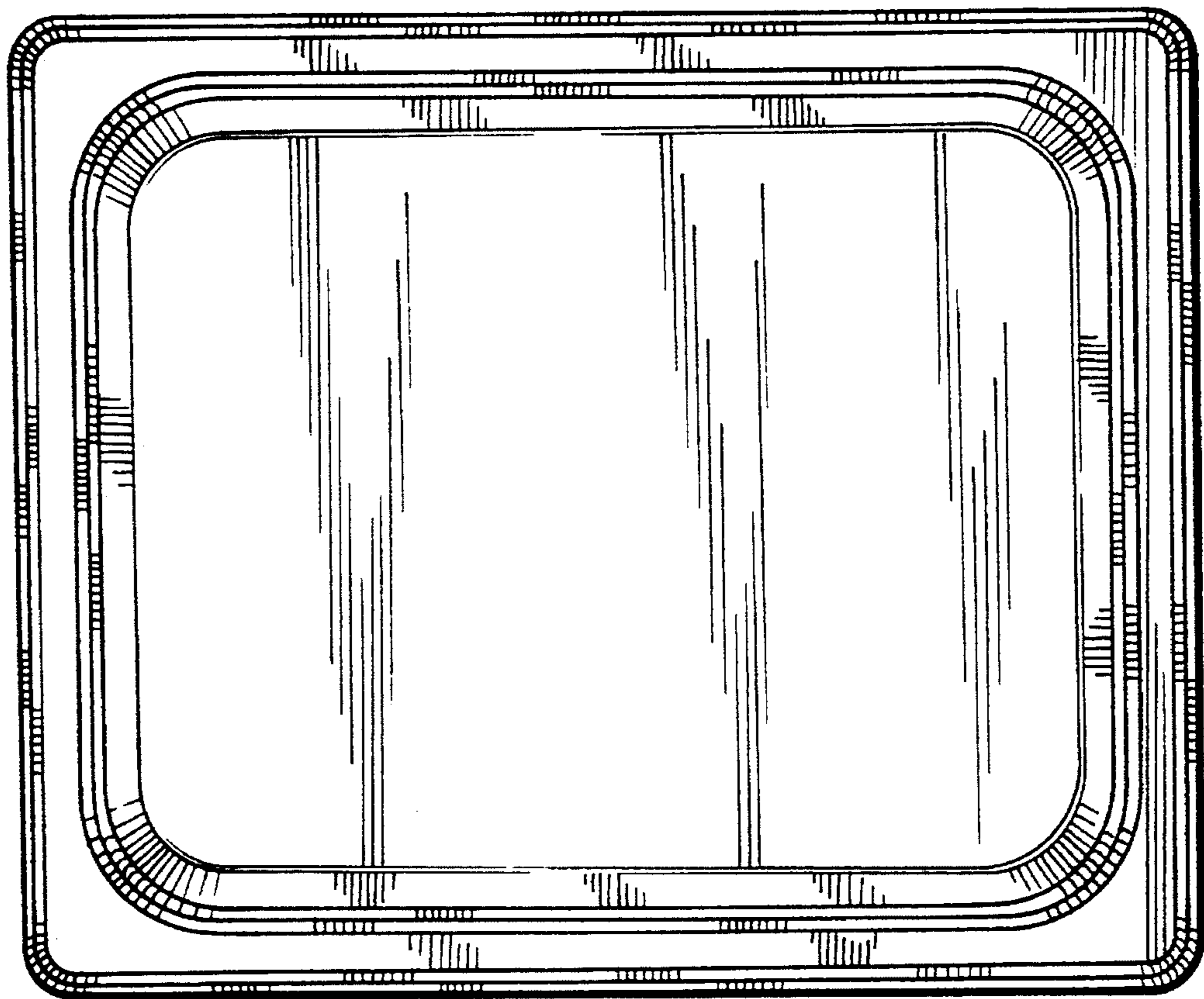


Fig-2

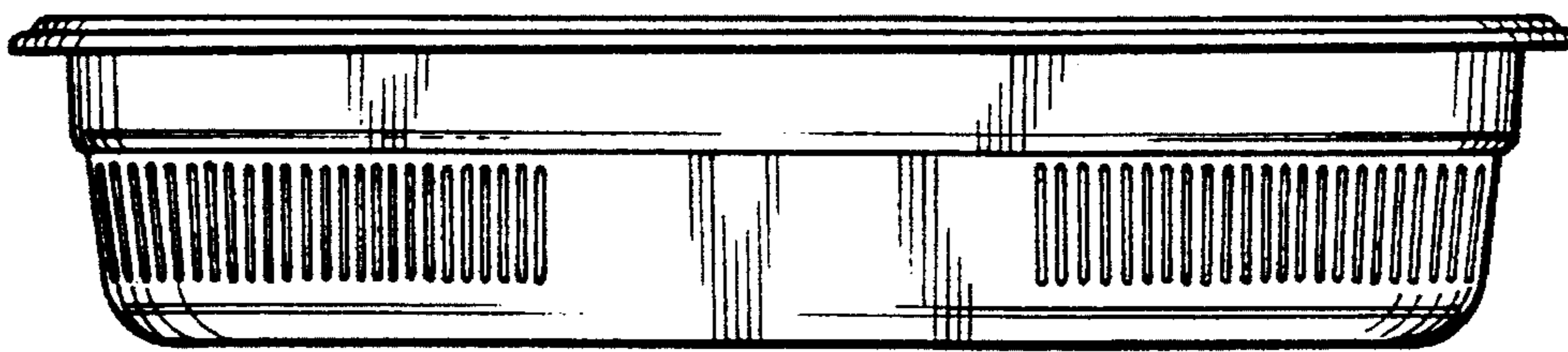


Fig-3

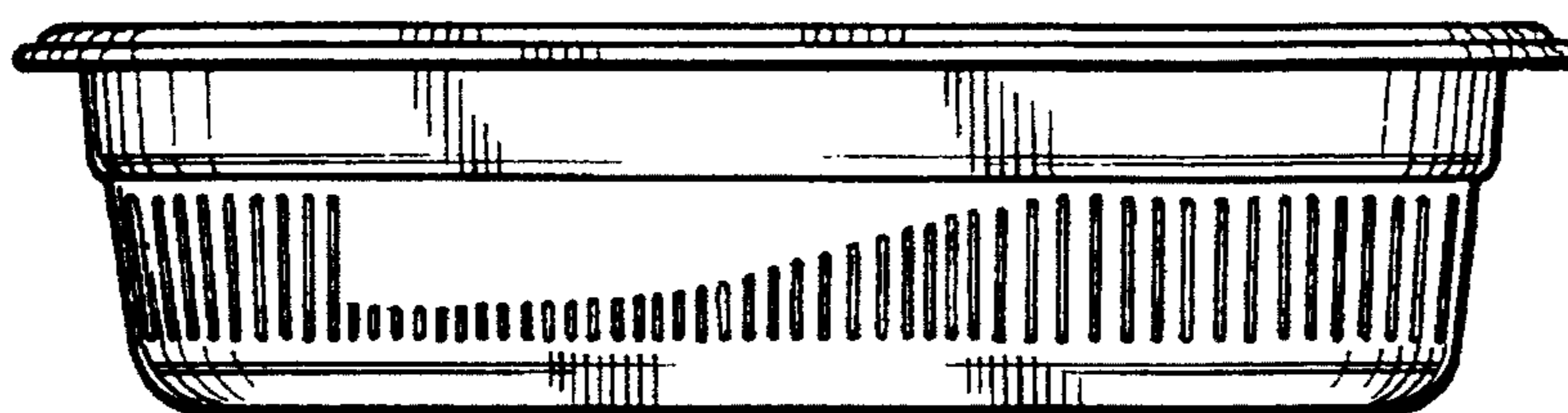


Fig-4

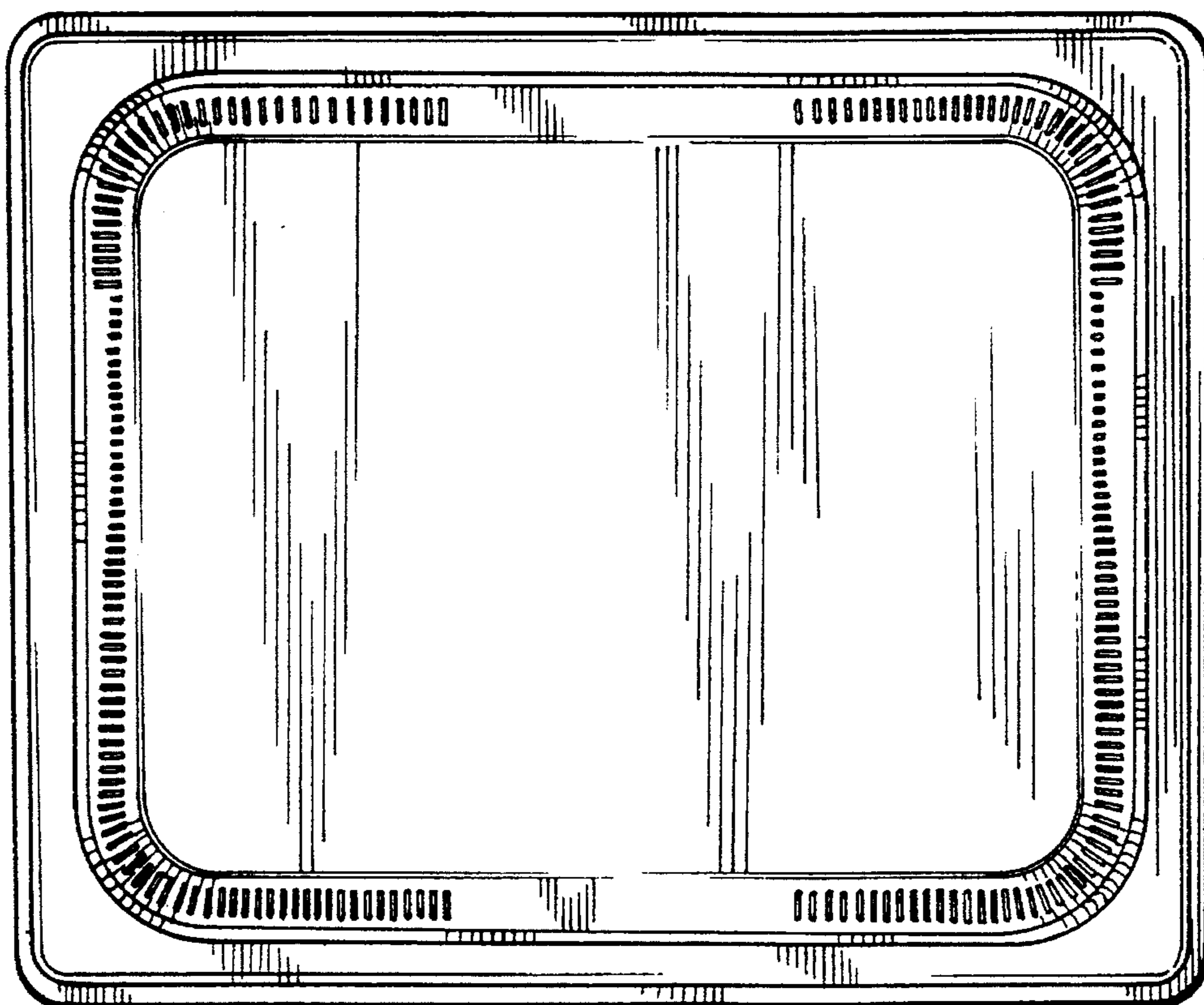


Fig-5