



US00D365498S

United States Patent [19]

Lillelund et al.

[11] Patent Number: **Des. 365,498**

[45] Date of Patent: ****Dec. 26, 1995**

[54] SERVING SET

[75] Inventors: **Stig Lillelund**, Garderhøjvej, Denmark;
Robert H. C. M. Daenen,
Bruckersebaan, Belgium

[73] Assignee: **Dart Industries Inc.**, Deerfield, Ill.

[**] Term: **14 Years**

[21] Appl. No.: **20,161**

[22] Filed: **Mar. 24, 1994**

[52] U.S. Cl. **D7/505; D7/538; D7/540;**
D7/543

[58] **Field of Search** **D7/500, 501, 505,**
D7/507, 546, 547, 553, 554, 571, 555,
584, 538, 585, 543, 540, 542; 220/556,
575, 23.4, 524, 4.26, 4.27, 306; 206/562,
519, 557; D9/506, 428

[56] References Cited

U.S. PATENT DOCUMENTS

D. 238,039	12/1975	Juhlin	D7/584
D. 244,065	4/1977	Daenen	D9/428 X
D. 257,109	9/1980	Conti .	
D. 284,060	6/1986	Adams	D7/538
D. 285,638	9/1986	Trivison .	
D. 286,360	10/1986	Trivison .	
D. 289,269	4/1987	Pleckenstein	D7/538 X
D. 312,554	12/1990	Daenen et al.	D7/501
4,279,354	7/1981	Conti .	

FOREIGN PATENT DOCUMENTS

511634 8/1939 United Kingdom D7/542

Primary Examiner—Alan P. Douglas
Assistant Examiner—M. N. Pandozzi
Attorney, Agent, or Firm—John A. Doninger

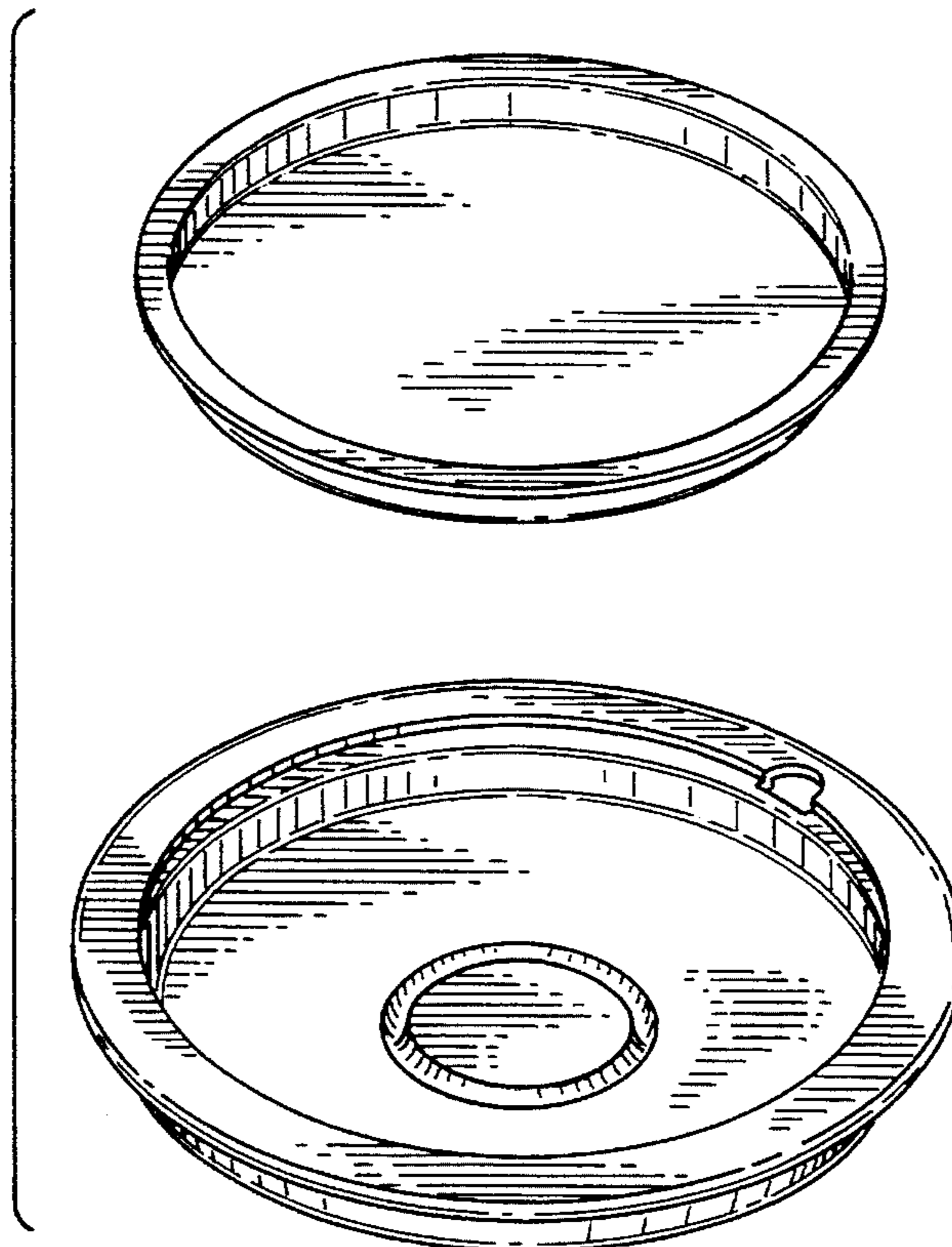
[57] CLAIM

The ornamental design for a serving set, as shown and described.

DESCRIPTION

FIG. 1 is a top perspective view of a serving set showing our new design;
FIG. 2 is an elevational view thereof, all elevations being the same;
FIG. 3 is a top plan view thereof;
FIG. 4 is a bottom plan view thereof;
FIG. 5 is an exploded perspective view thereof;
FIG. 6 is a top perspective view of the set with the internal tray inverted to accommodate further internal set components;
FIG. 7 is an elevational view of FIG. 6, all elevations being the same;
FIG. 8 is a top plan view of FIG. 6;
FIG. 9 is a bottom plan view of FIG. 6; and,
FIG. 10 is a cross-section view on line 10—10 in FIG. 3.

1 Claim, 6 Drawing Sheets



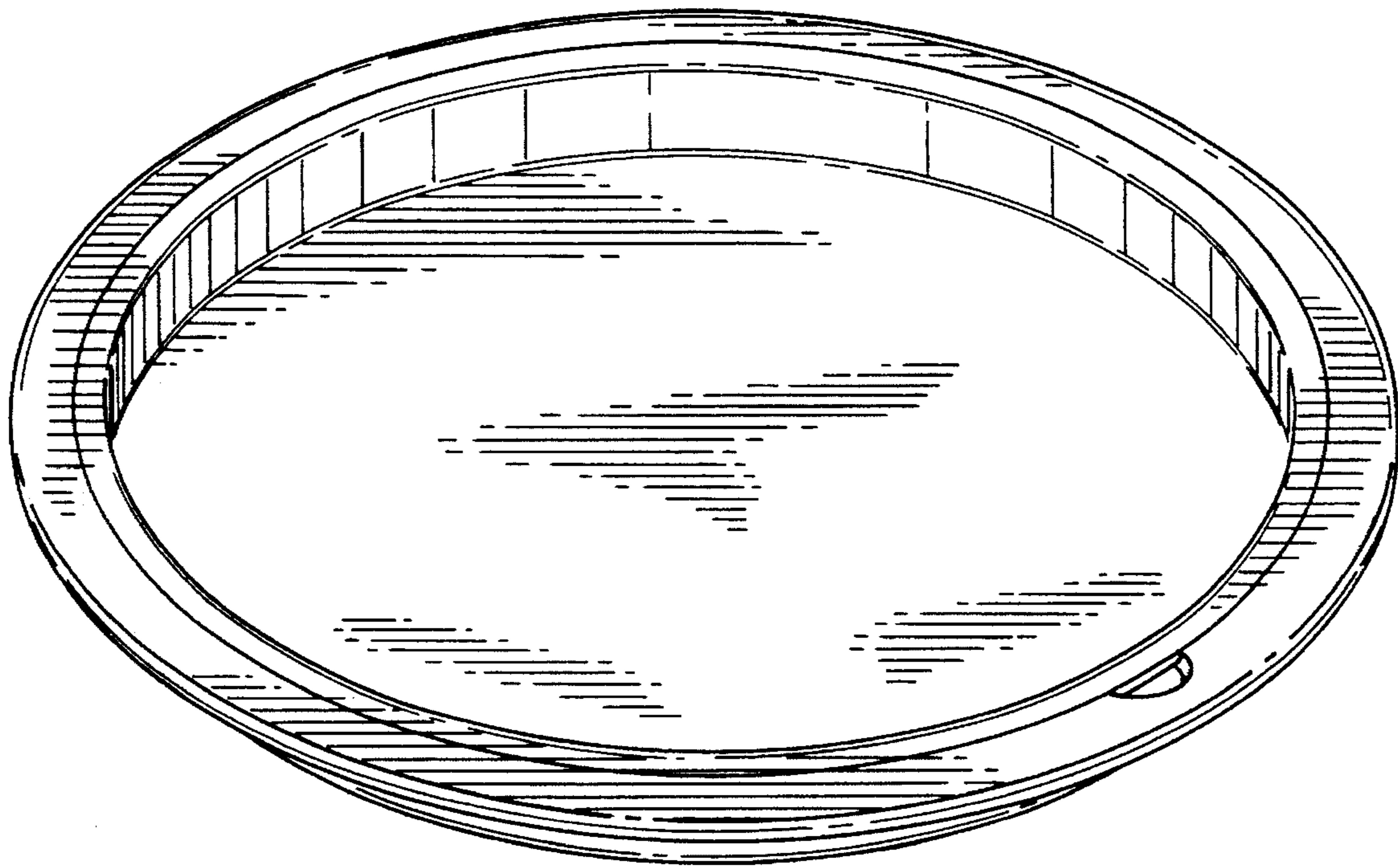


FIG. 1

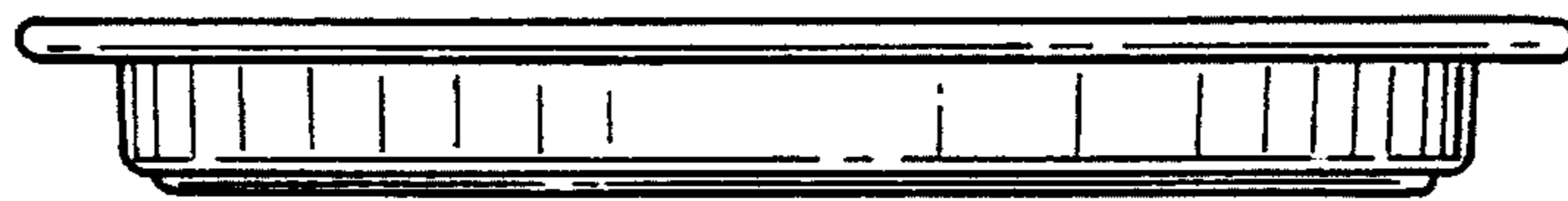


FIG. 2

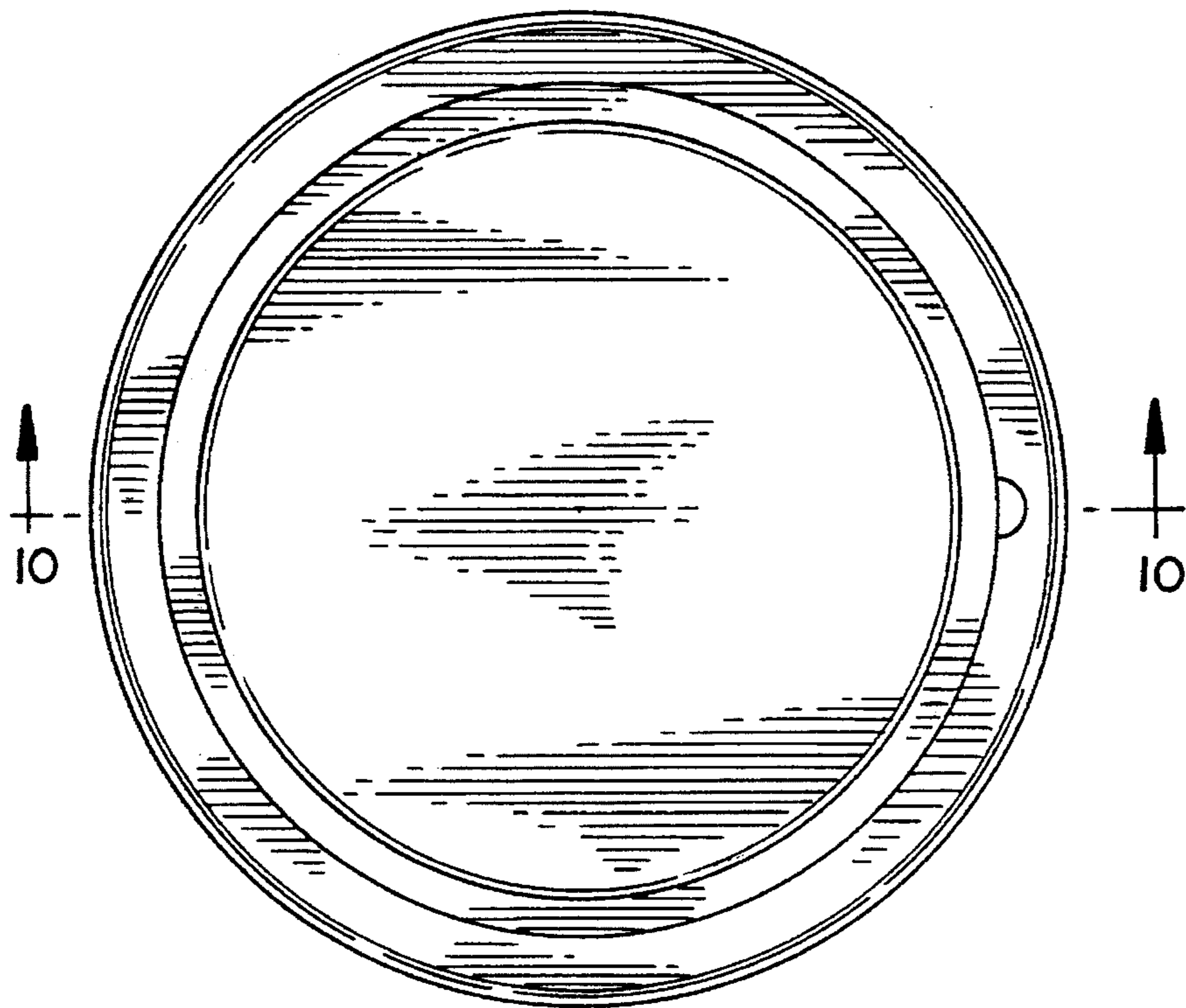


FIG. 3

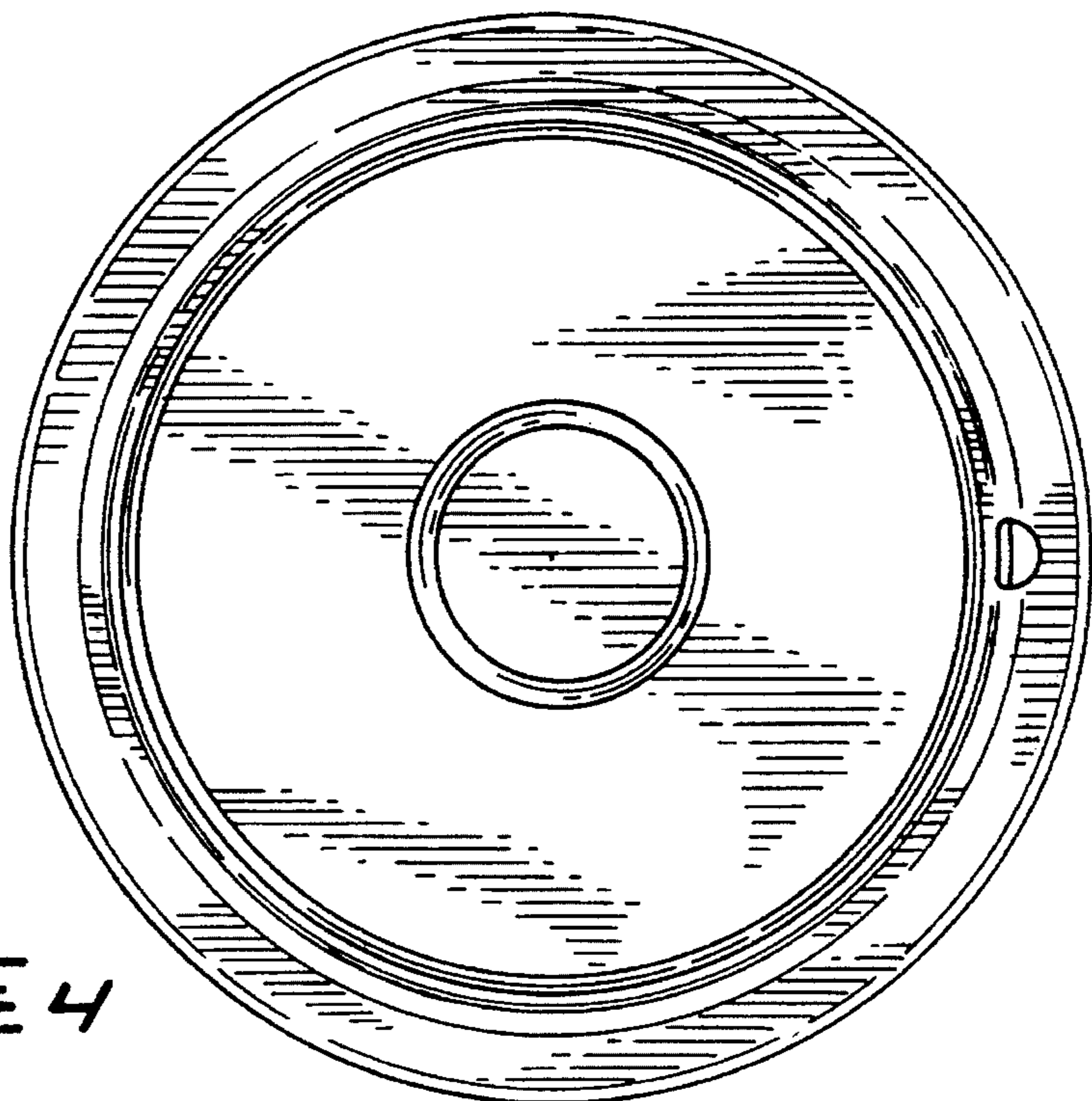


FIG. 4

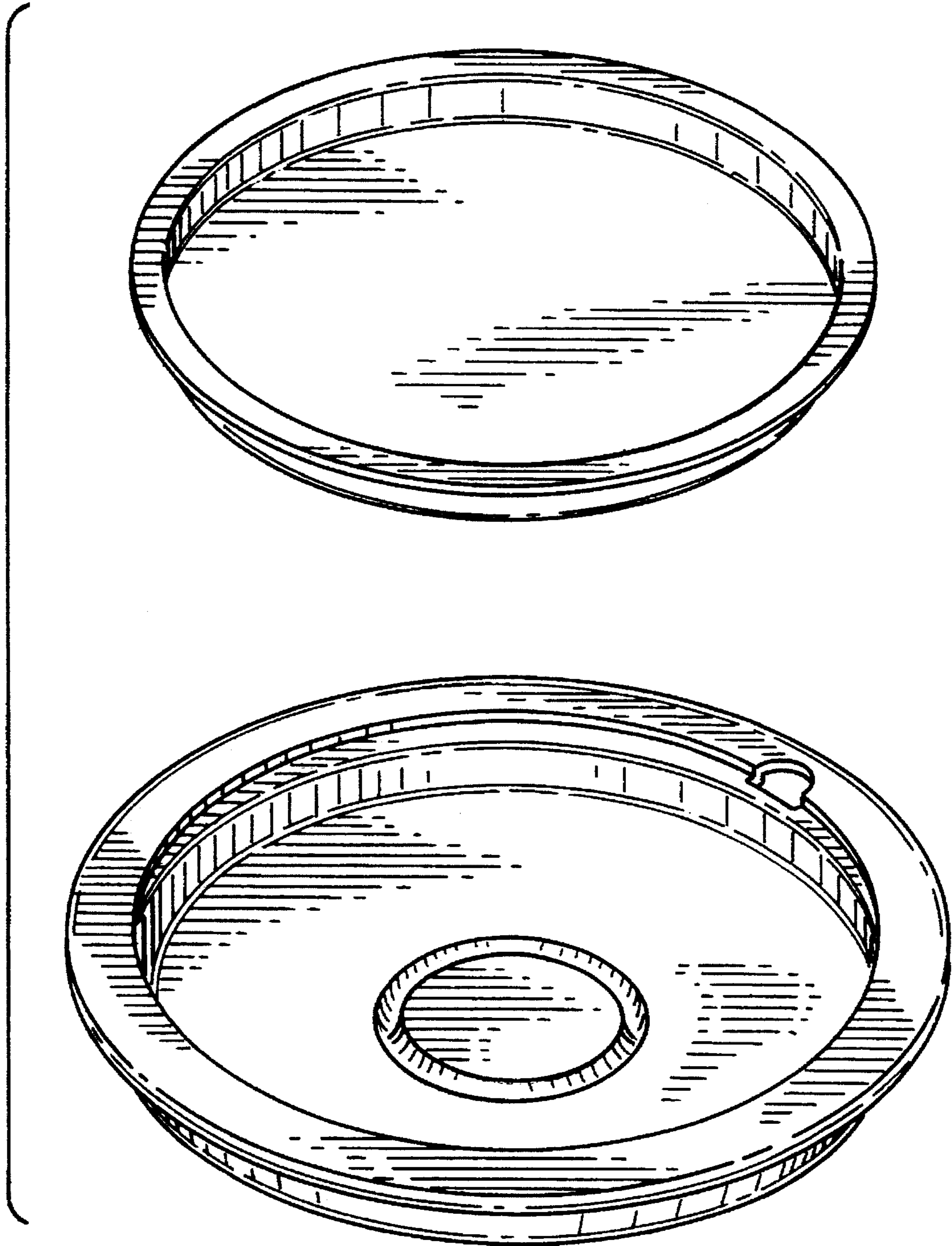


FIG. 5

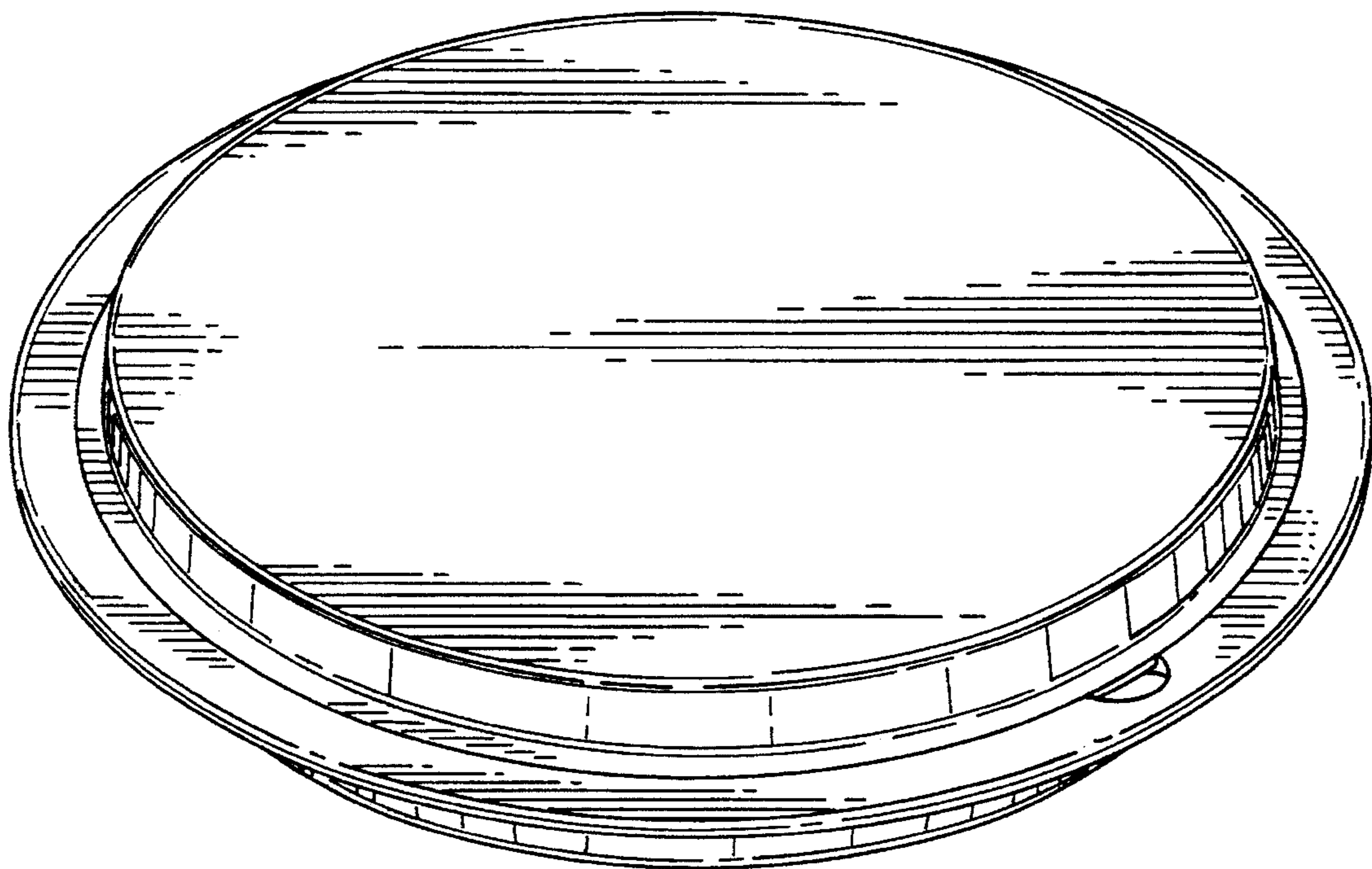


FIG. 6

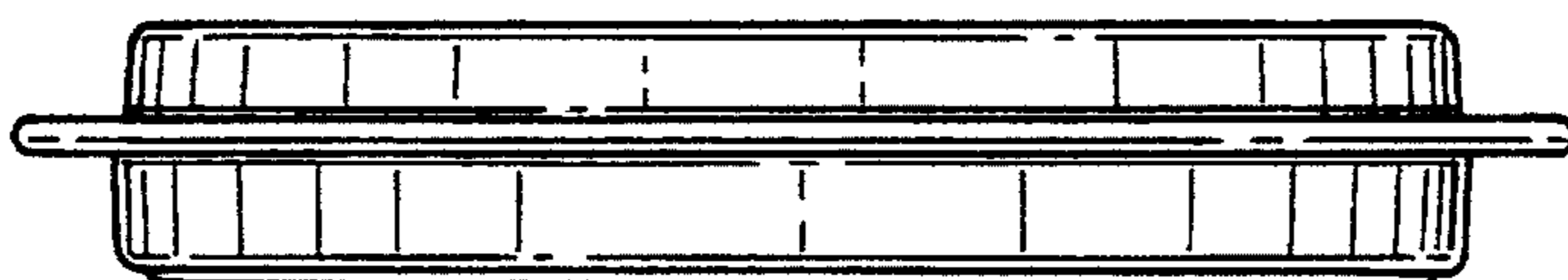


FIG. 7

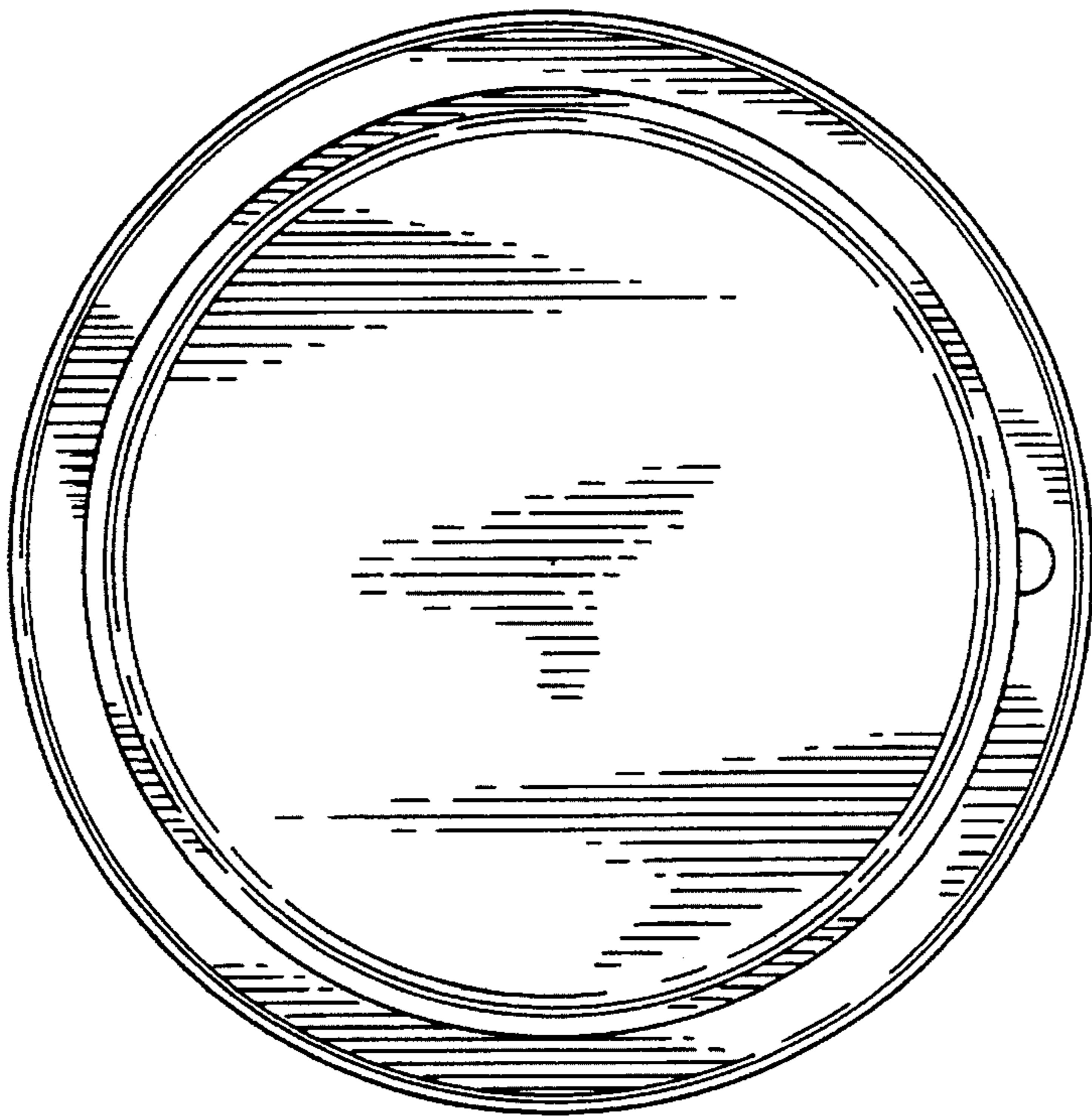


FIG. 8

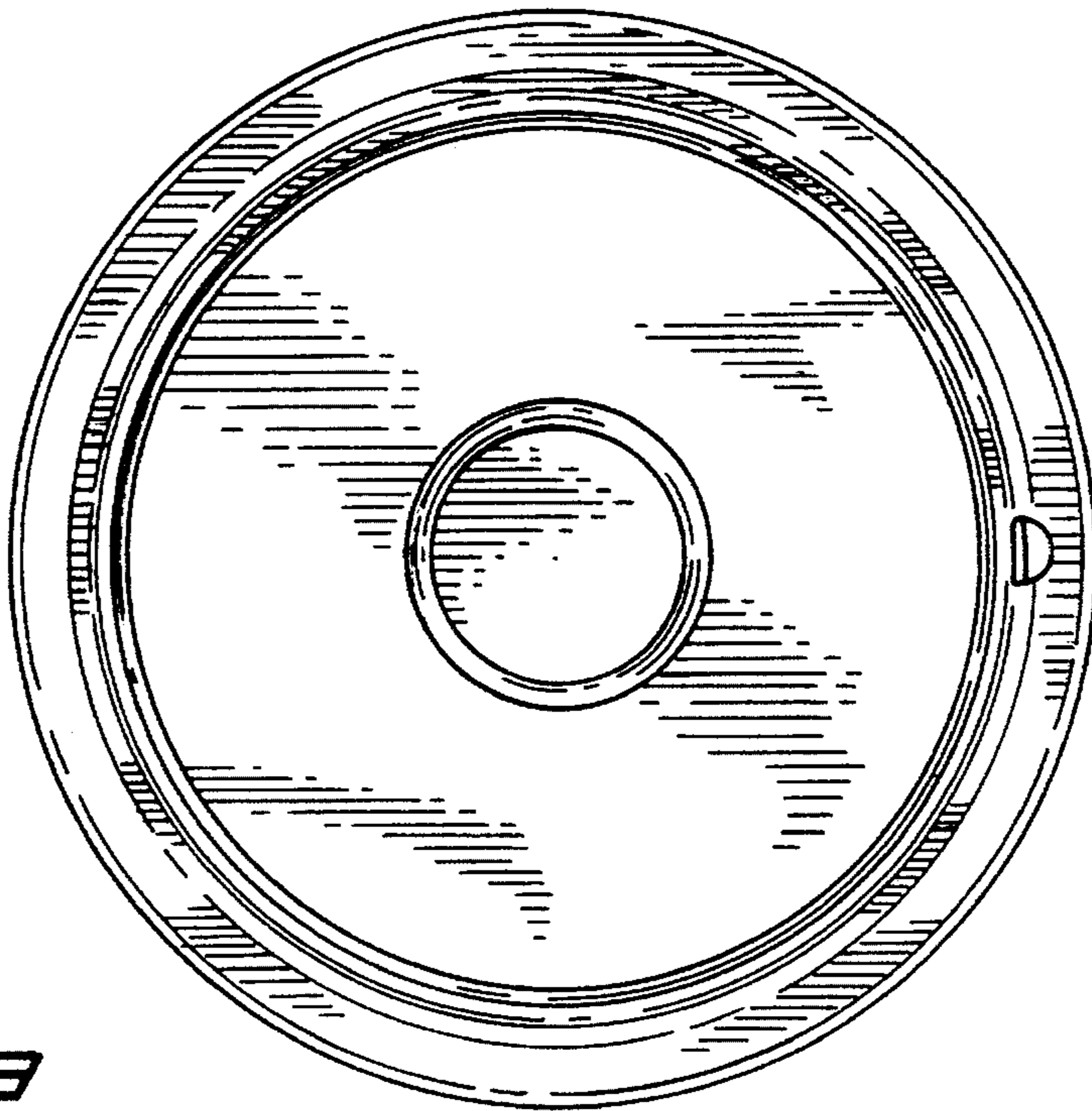


FIG. 9

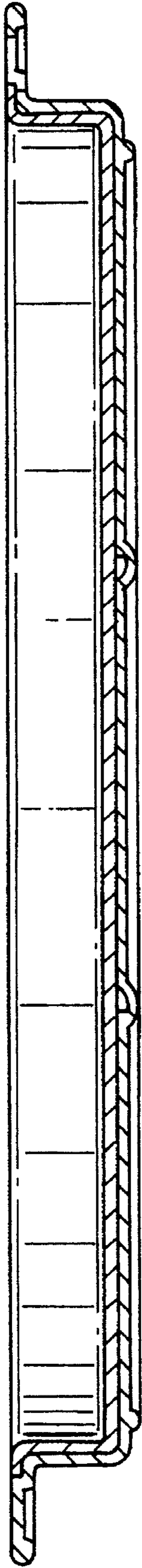


FIG. 10