



US00D365497S

United States Patent [19]
Gebhardt

[11] **Patent Number: Des. 365,497**
[45] **Date of Patent: **Dec. 26, 1995**

[54] **KNOB FOR A LID**
[75] Inventor: **Lutz Gebhardt**, Immensee, Switzerland
[73] Assignee: **AMC International ALFA Metalcraft Corporation AG**, Switzerland
[**] Term: **14 Years**

D. 261,349 10/1981 Ryser D7/393
D. 298,506 11/1988 Lee D7/393
D. 306,960 4/1990 Dricken et al. D7/393

Primary Examiner—Alan P. Douglas
Assistant Examiner—Caron D. Veynar
Attorney, Agent, or Firm—Webb Ziesenheim Bruening
Logsdon Orkin & Hanson

[21] Appl. No.: **15,874**
[22] Filed: **Nov. 24, 1993**

[57] **CLAIM**

The ornamental design for a knob for a lid, as shown.

[30] **Foreign Application Priority Data**

DESCRIPTION

May 26, 1993 [XH] Hague Agreement DM/026,224
[52] **U.S. Cl.** **D7/393**
[58] **Field of Search** D7/354-361, 393,
D7/396; 16/110 R, 110 A, 121, DIG. 30;
220/752, 753; D8/300, DIG. 2

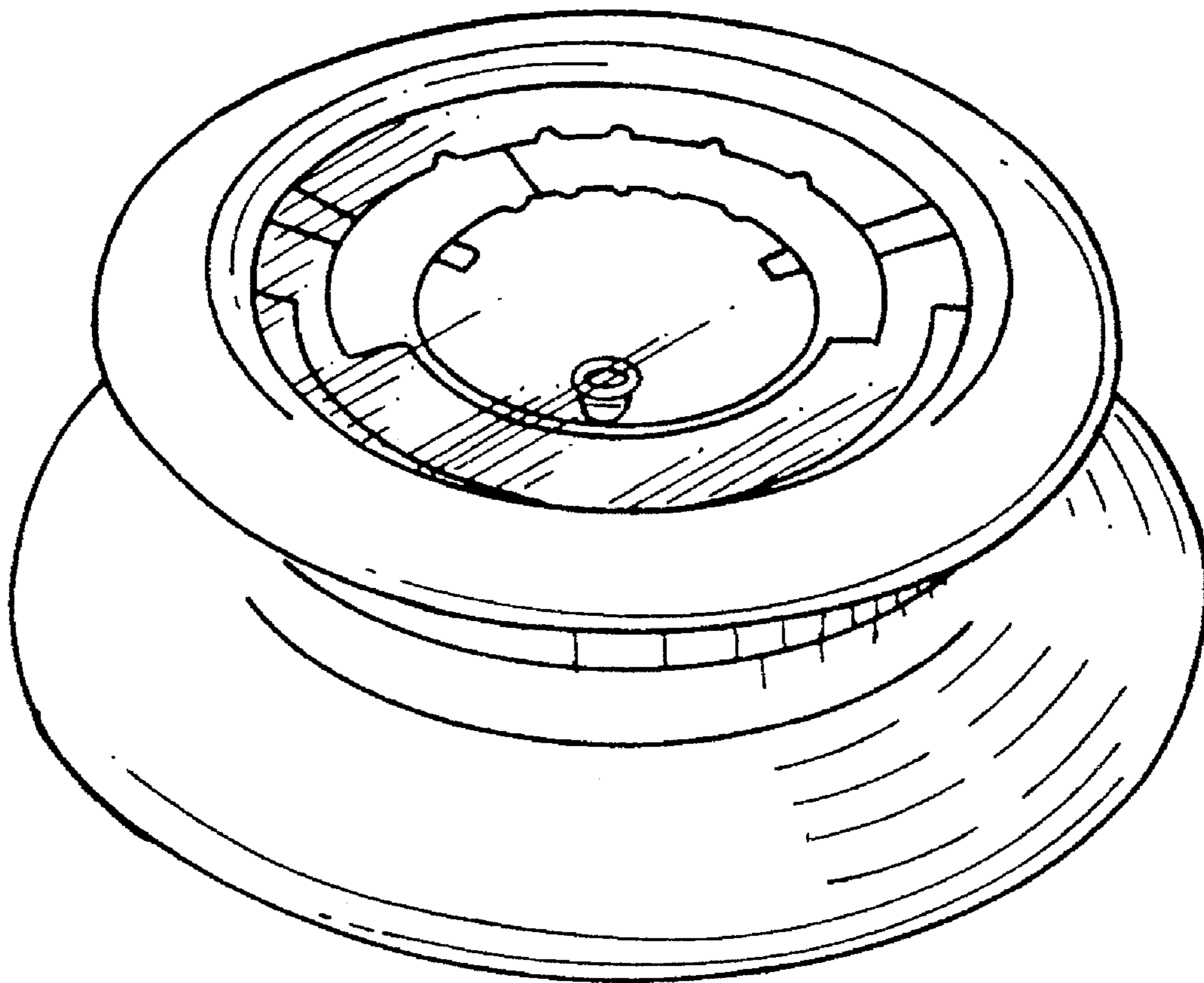
FIG. 1 is a perspective view of the knob for a lid showing my new design;
FIG. 2 is a front elevational view thereof, the rear, left and right side views being identical;
FIG. 3 is a top plan view thereof;
FIG. 4 is a bottom plan view thereof; and,
FIG. 5 is a bottom perspective view thereof.

[56] **References Cited**

U.S. PATENT DOCUMENTS

D. 212,379 10/1968 Dudas et al. D7/393

1 Claim, 3 Drawing Sheets



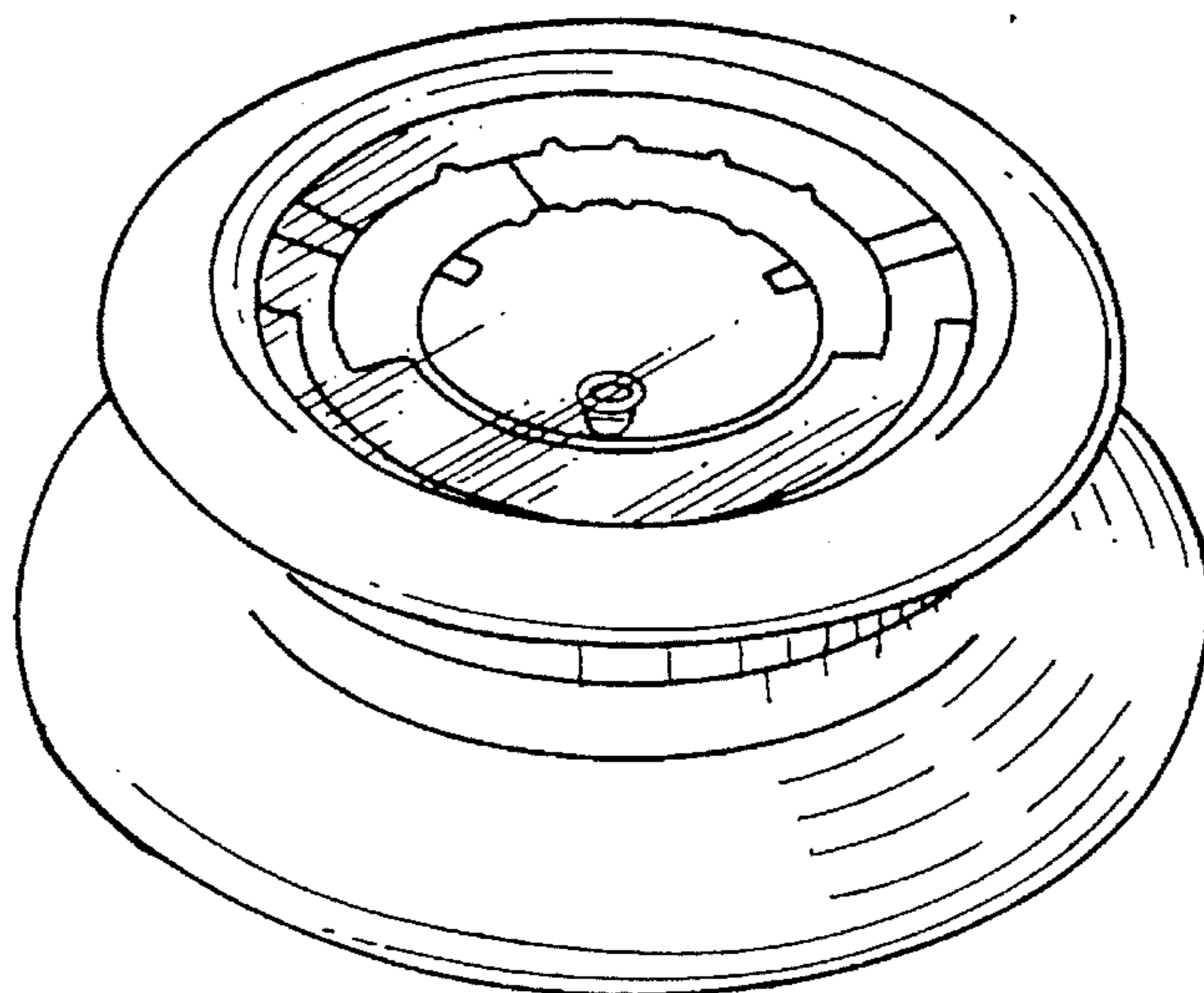


FIG. 1

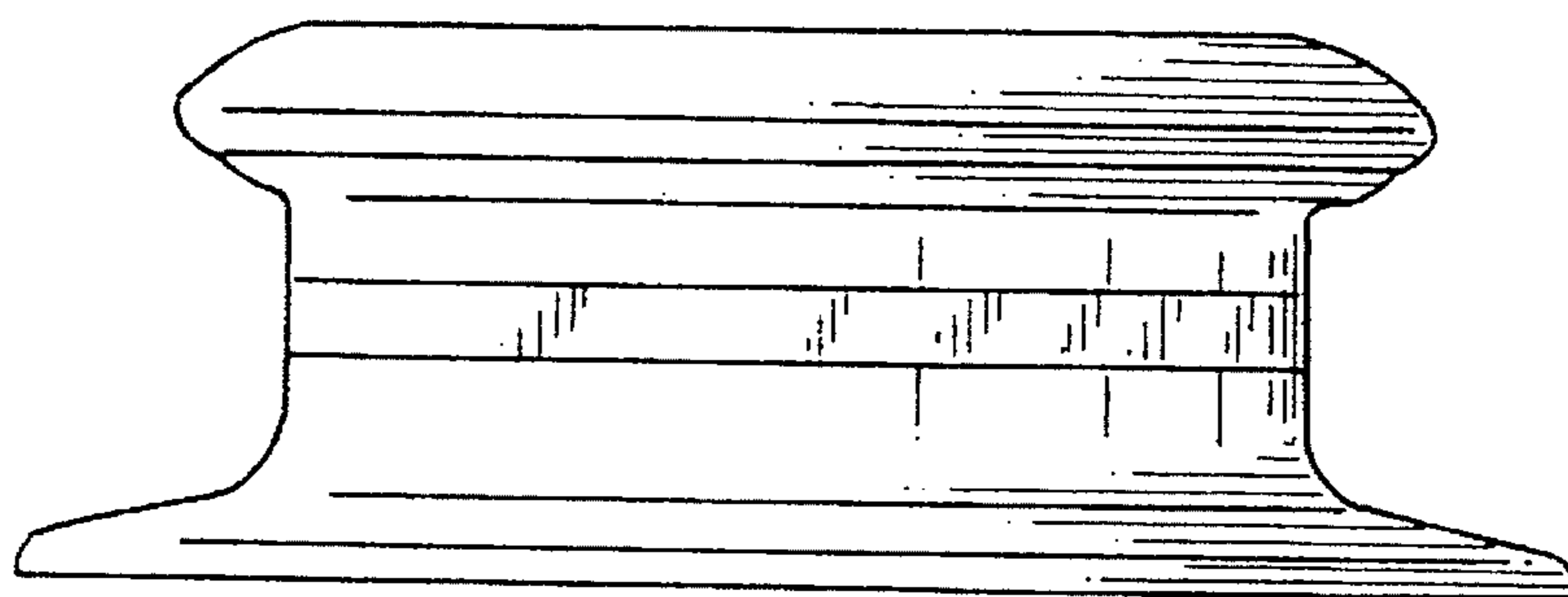


FIG. 2

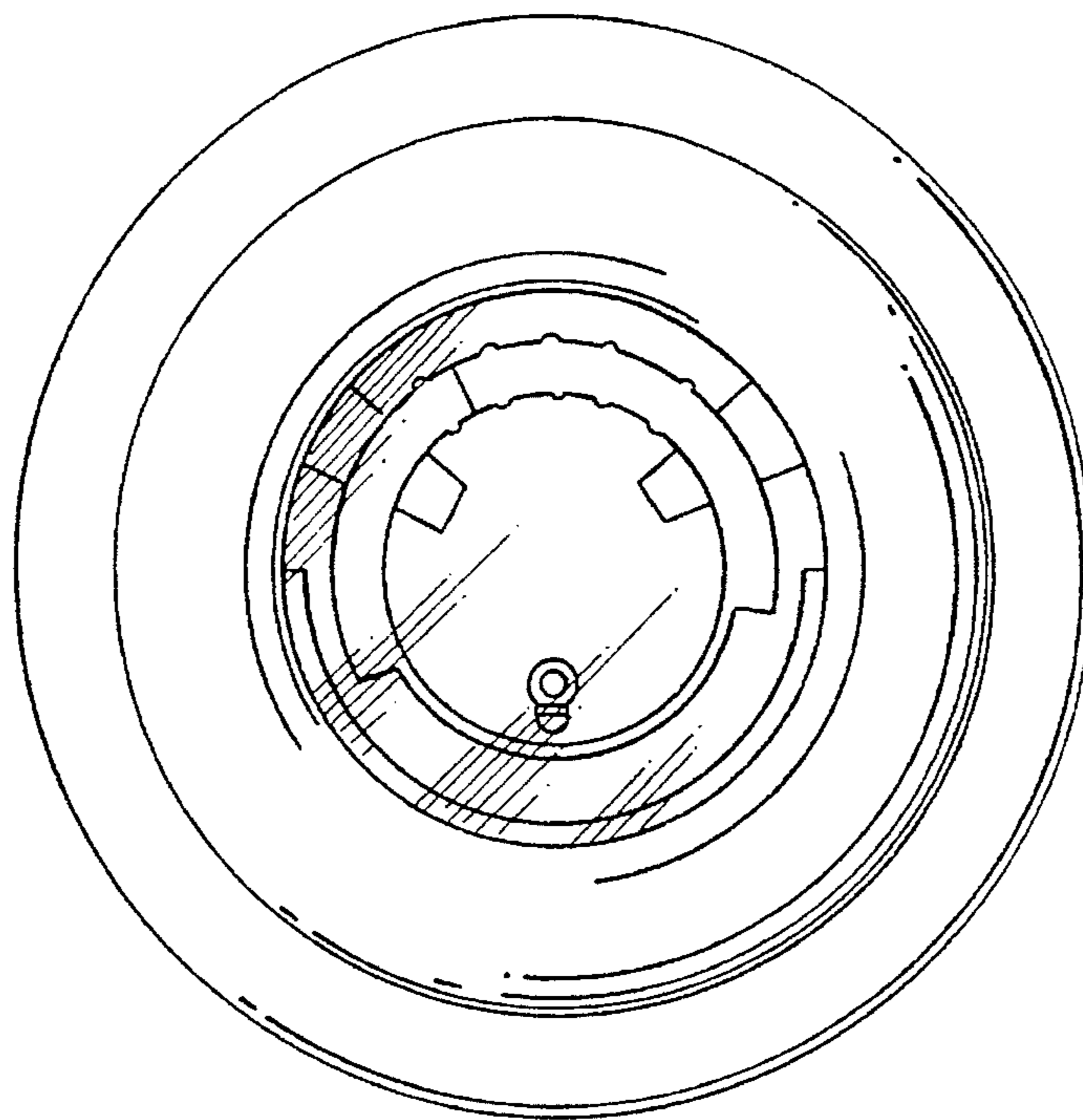


FIG. 3

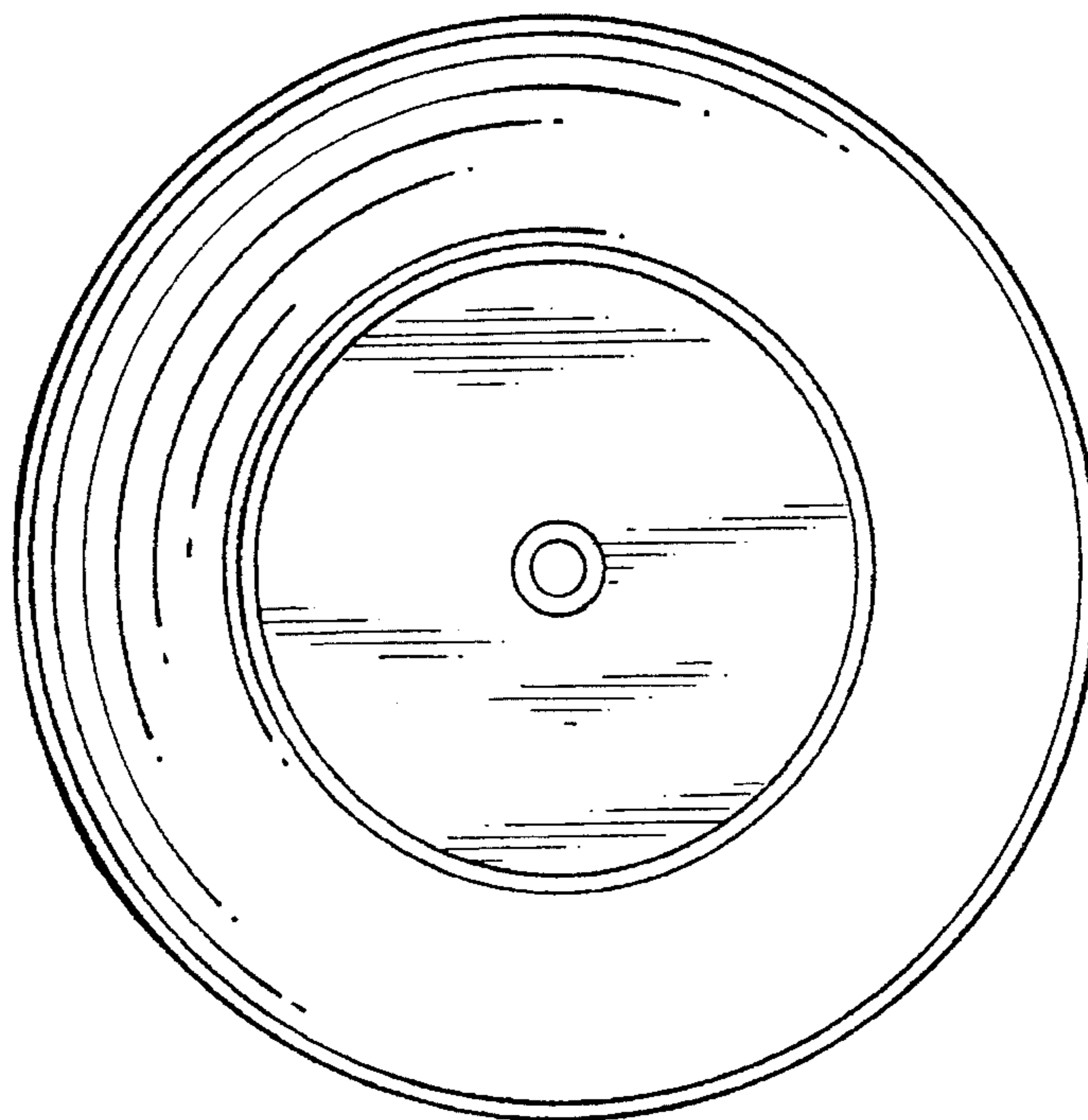


FIG. 4

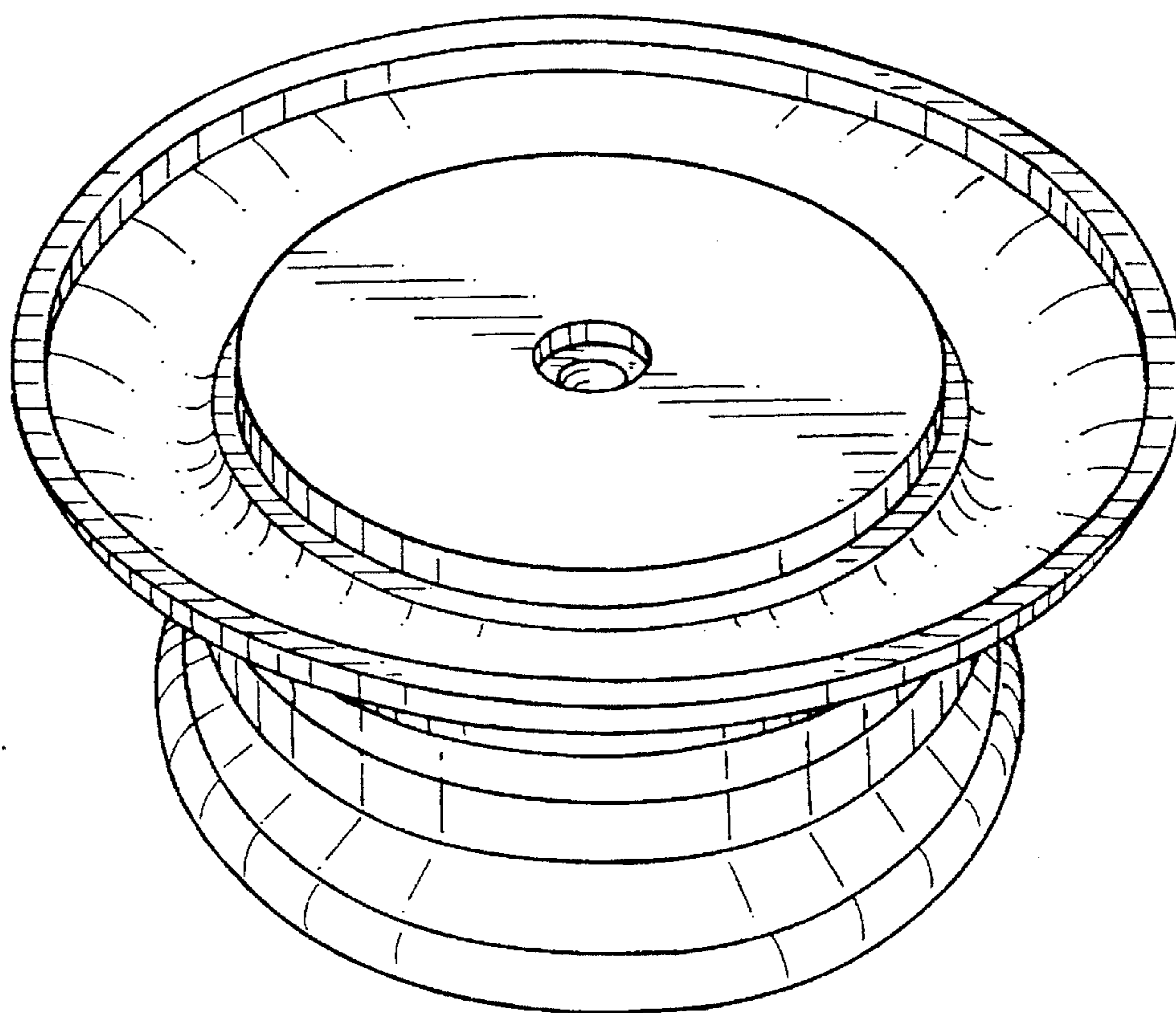


FIG. 5

UNITED STATES PATENT AND TRADEMARK OFFICE
CERTIFICATE OF CORRECTION

PATENT NO. : Des. 365,497
DATED : December 26, 1995
INVENTOR(S) : Lutz Gebhardt

It is certified that error appears in the above-identified patent and that said Letters Patent is hereby corrected as shown below:

Title page, section [56], **References Cited**, after the listing of U.S. PATENT DOCUMENTS, insert:
--FOREIGN PATENT DOCUMENTS
D. 68307 2/1979 International.--.

Signed and Sealed this
Second Day of April, 1996



BRUCE LEHMAN

Commissioner of Patents and Trademarks

Attest:

Attesting Officer