



US00D365496S

United States Patent [19]

[11] Patent Number: **Des. 365,496**

McLinden et al.

[45] Date of Patent: ****Dec. 26, 1995**

[54] **DRINK MIXER**

1,743,103 1/1930 Blish et al. D7/379 X
2,696,370 12/1954 Gafford D7/379 X

[75] Inventors: **Thomas V. McLinden**, Woodbury;
Glen Nielsen, Kent, both of Conn.

Primary Examiner—Alan P. Douglas
Assistant Examiner—Caron D. Veynar
Attorney, Agent, or Firm—McCormick, Paulding & Huber

[73] Assignee: **Waring Products Division/Dynamics Corporation of America**, New Hartford, Conn.

[57] **CLAIM**

[**] Term: **14 Years**

The ornamental design for a drink mixer, as shown.

[21] Appl. No.: **22,182**

DESCRIPTION

[22] Filed: **Apr. 29, 1994**

[52] U.S. Cl. **D7/379; D7/376**

[58] **Field of Search** D7/376-379; 366/129,
366/130, 197, 199, 204, 205, 314, 279

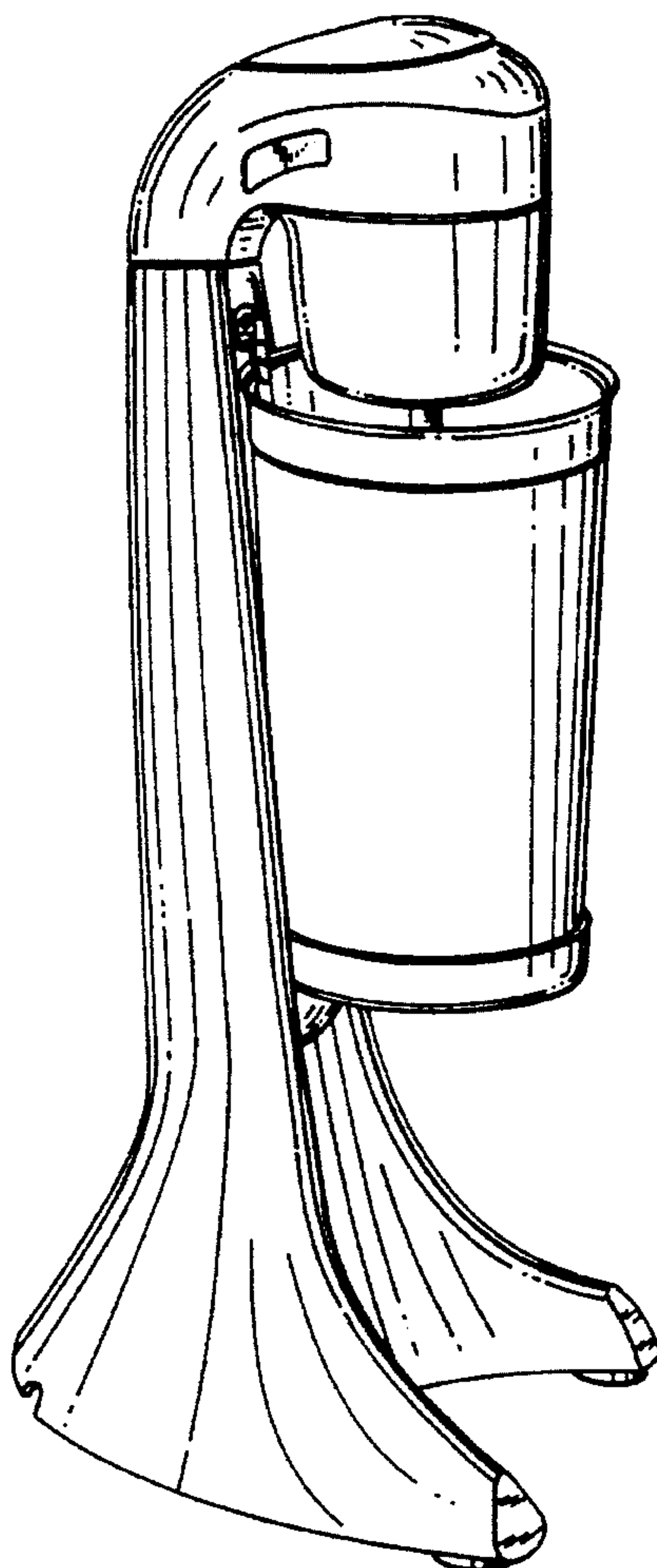
FIG. 1 is a perspective view of the design for a drink mixer of the present invention;
FIG. 2 is a left-hand side view of the design for a drink mixer of the present invention;
FIG. 3 is a right-hand side view of the design for a drink mixer of the present invention;
FIG. 4 is a front view of the design for a drink mixer of the present invention;
FIG. 5 is a rear view of the design for a drink mixer of the present invention;
FIG. 6 is a top view of the design for a drink mixer of the present invention; and,
FIG. 7 is a bottom view of the design for a drink mixer of the present invention.

[56] **References Cited**

U.S. PATENT DOCUMENTS

D. 118,225	12/1939	Barnes et al.	D7/379
D. 156,342	12/1949	Iannelli	D7/379
D. 158,947	6/1950	Ernst	D7/379
D. 169,829	6/1953	Seyfried et al.	D7/379
D. 175,338	8/1955	Ernst	D7/379
D. 261,892	11/1981	Huser	D7/379

1 Claim, 2 Drawing Sheets



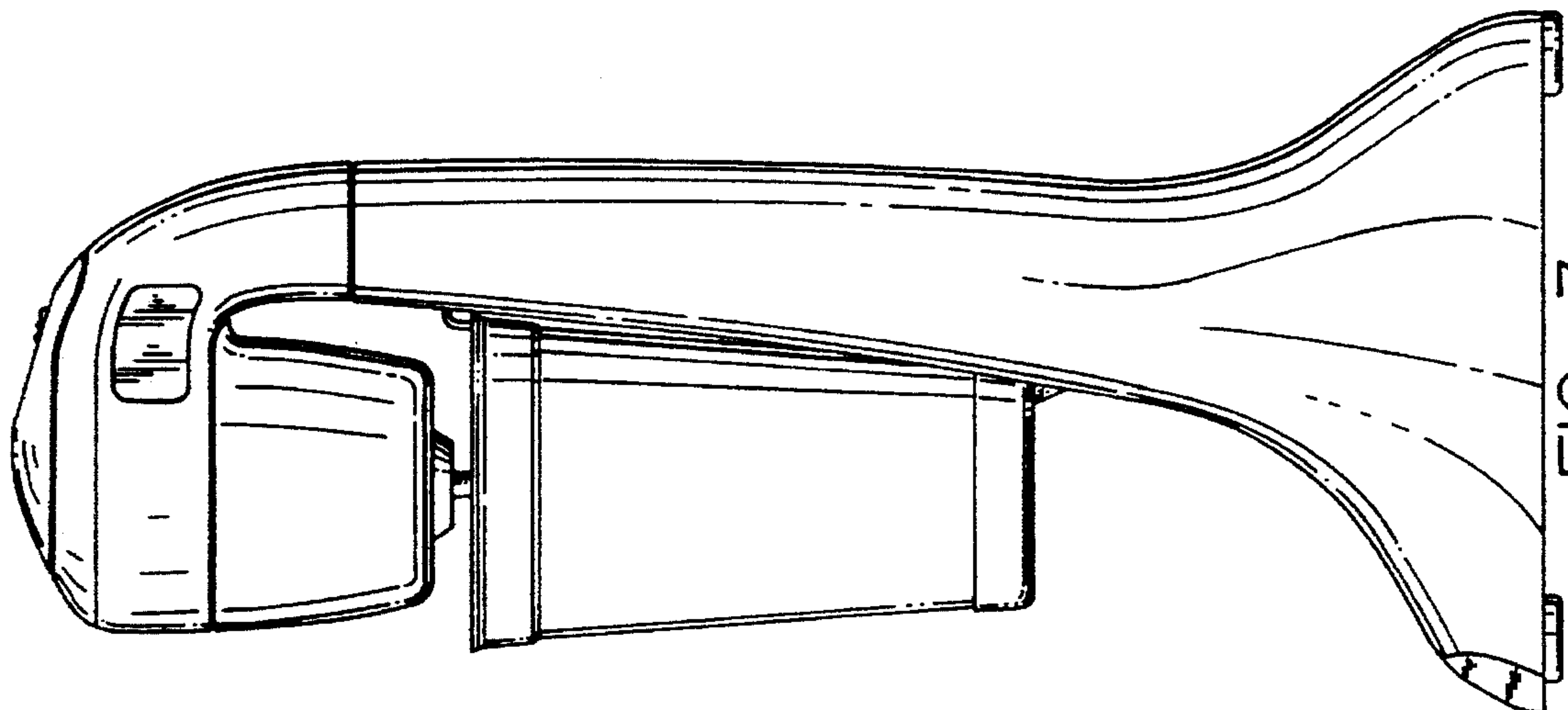


FIG. 3

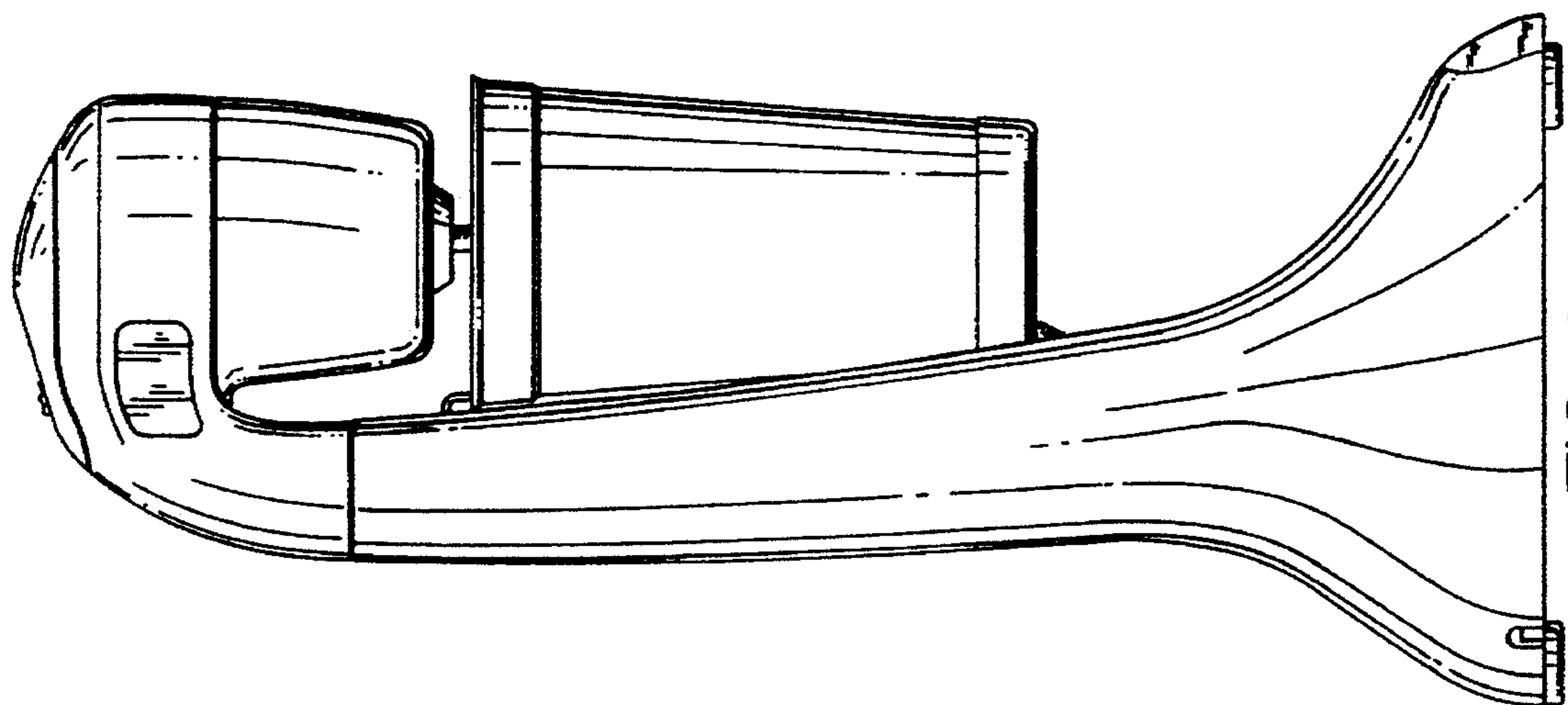


FIG. 2

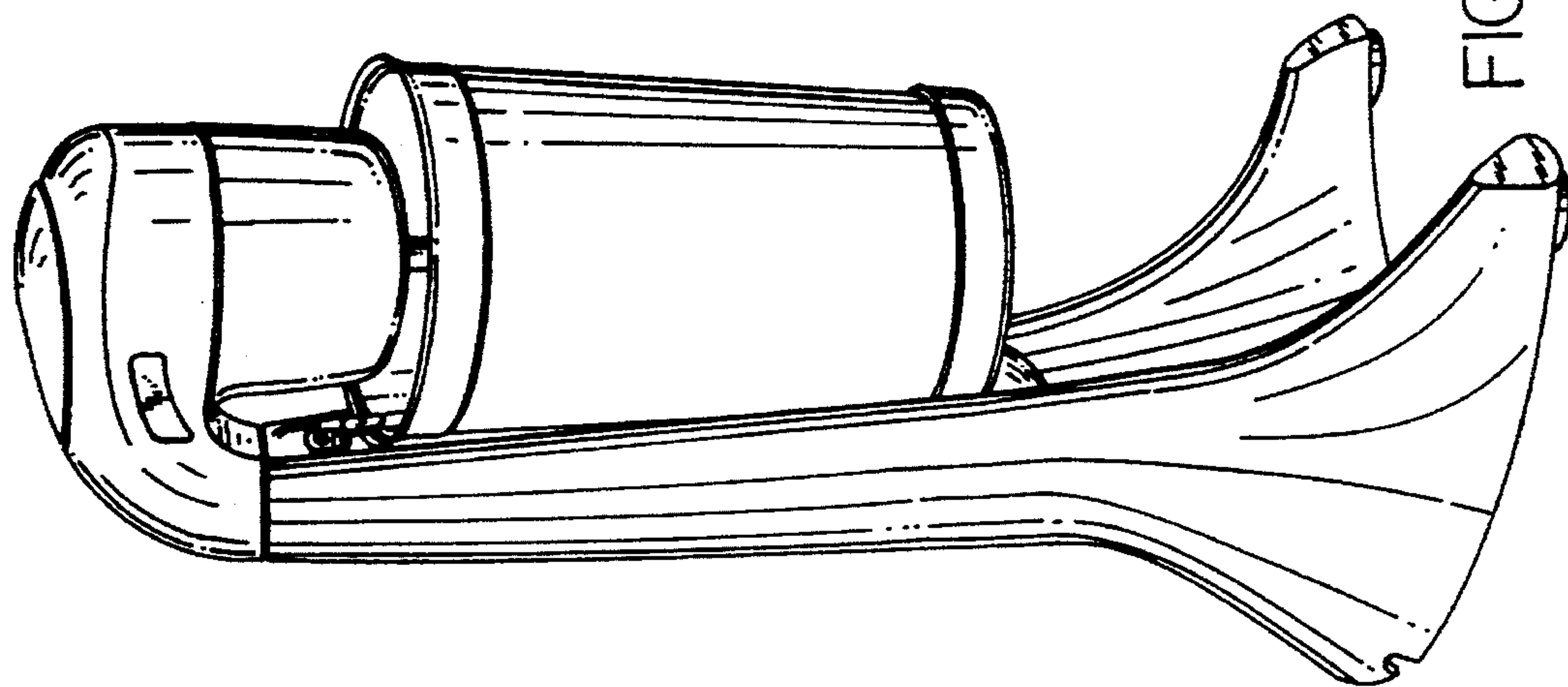


FIG. 1

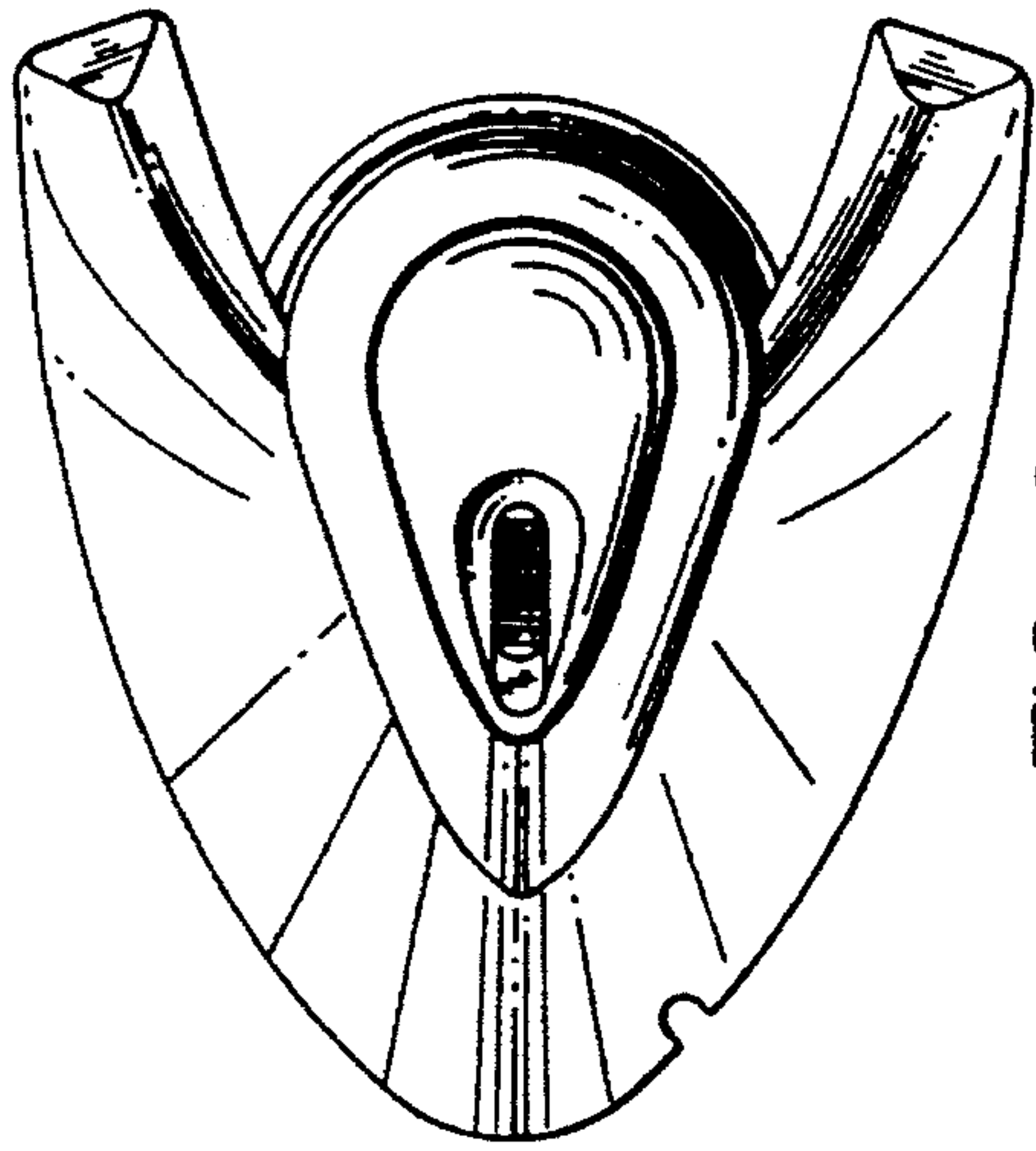


FIG. 6

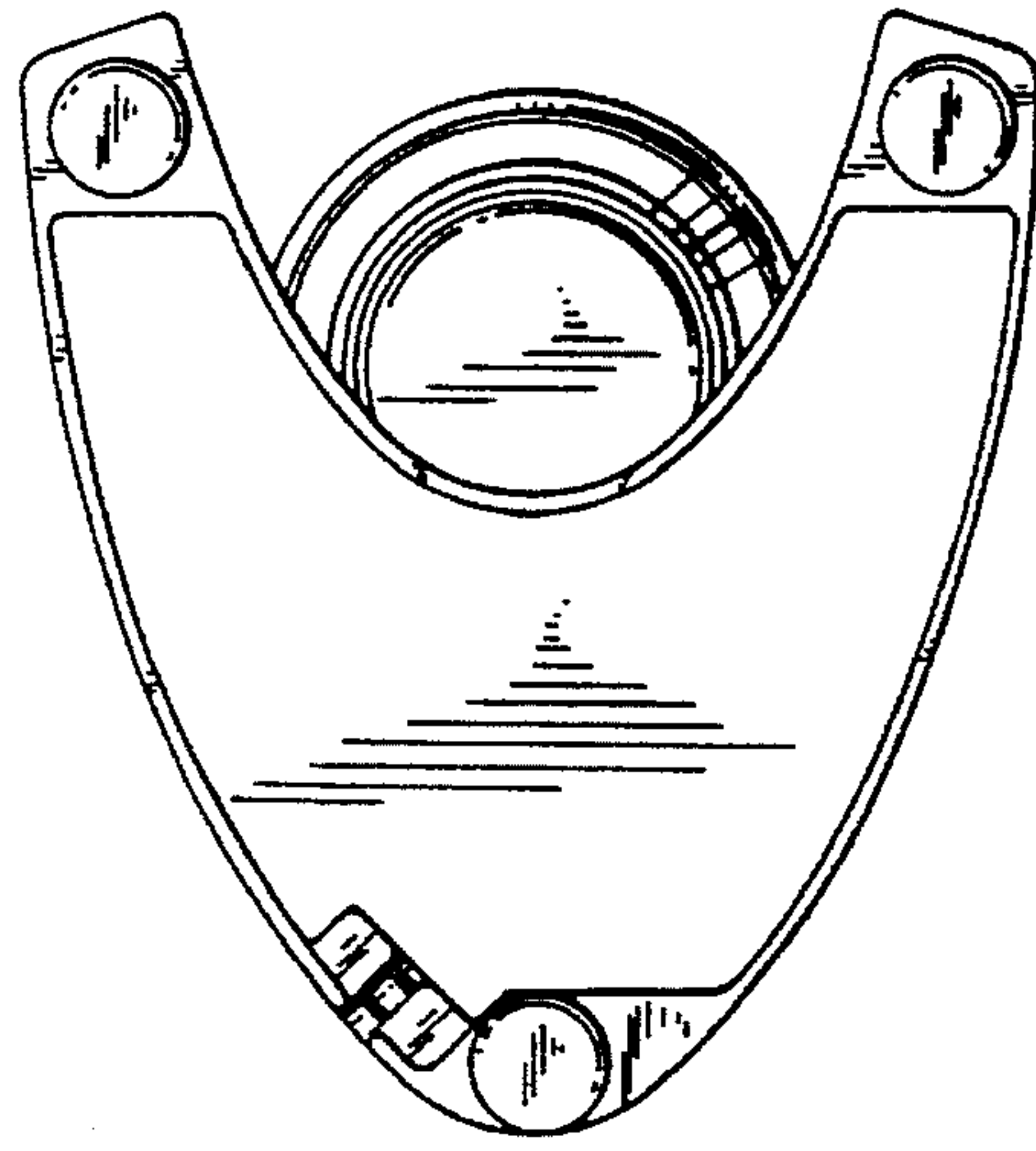


FIG. 7

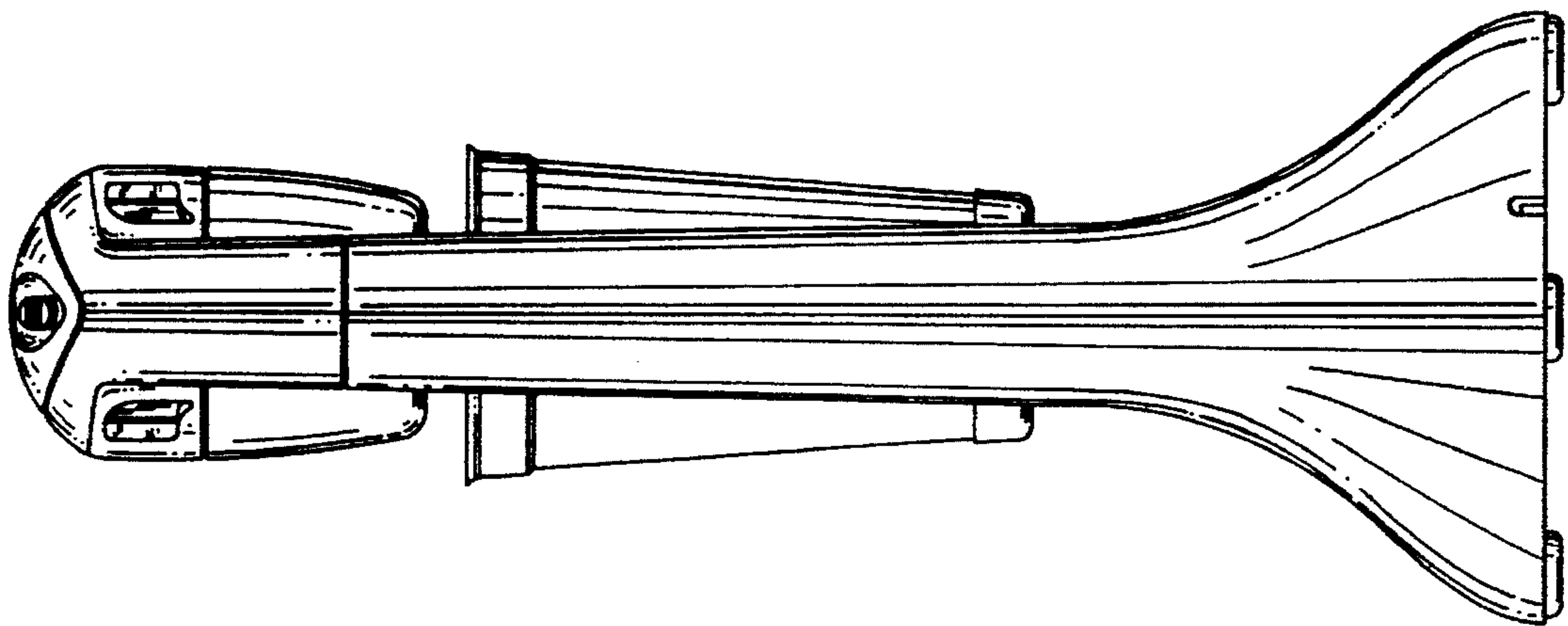


FIG. 5

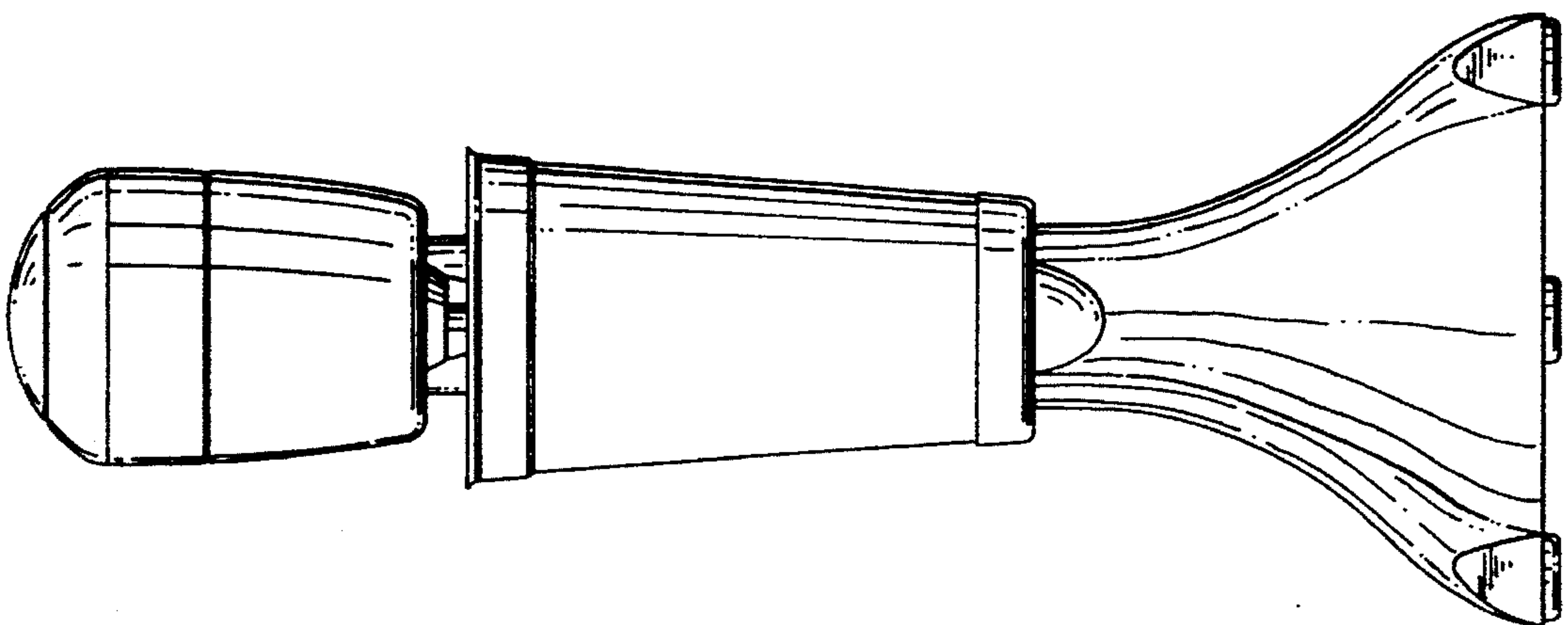


FIG. 4