



US00D365495S

United States Patent [19]
O'Higgins

[11] **Patent Number: Des. 365,495**

[45] **Date of Patent: **Dec. 26, 1995**

[54] **CAST BROILING PAN**

[75] Inventor: **Thomas O'Higgins**, Orinda, Calif.

[73] Assignee: **Williams-Sonoma, Inc.**, San Francisco, Calif.

[**] Term: **14 Years**

[21] Appl. No.: **22,205**

[22] Filed: **Apr. 29, 1994**

[52] U.S. Cl. **D7/359; D7/354; D7/356; D7/409**

[58] **Field of Search** **D7/354, 356, 359, D7/360, 409; 99/425, 426, 444, 449, 450**

[56] **References Cited**

U.S. PATENT DOCUMENTS

D. 229,532	12/1973	Calato et al.	D7/409
D. 297,393	8/1988	Picozza et al.	D7/359
D. 297,497	9/1988	Picozza	D7/409
3,994,212	11/1976	Wong	99/444

Primary Examiner—Alan P. Douglas
Assistant Examiner—Caron D. Veynar
Attorney, Agent, or Firm—Owen, Wickersham & Erickson

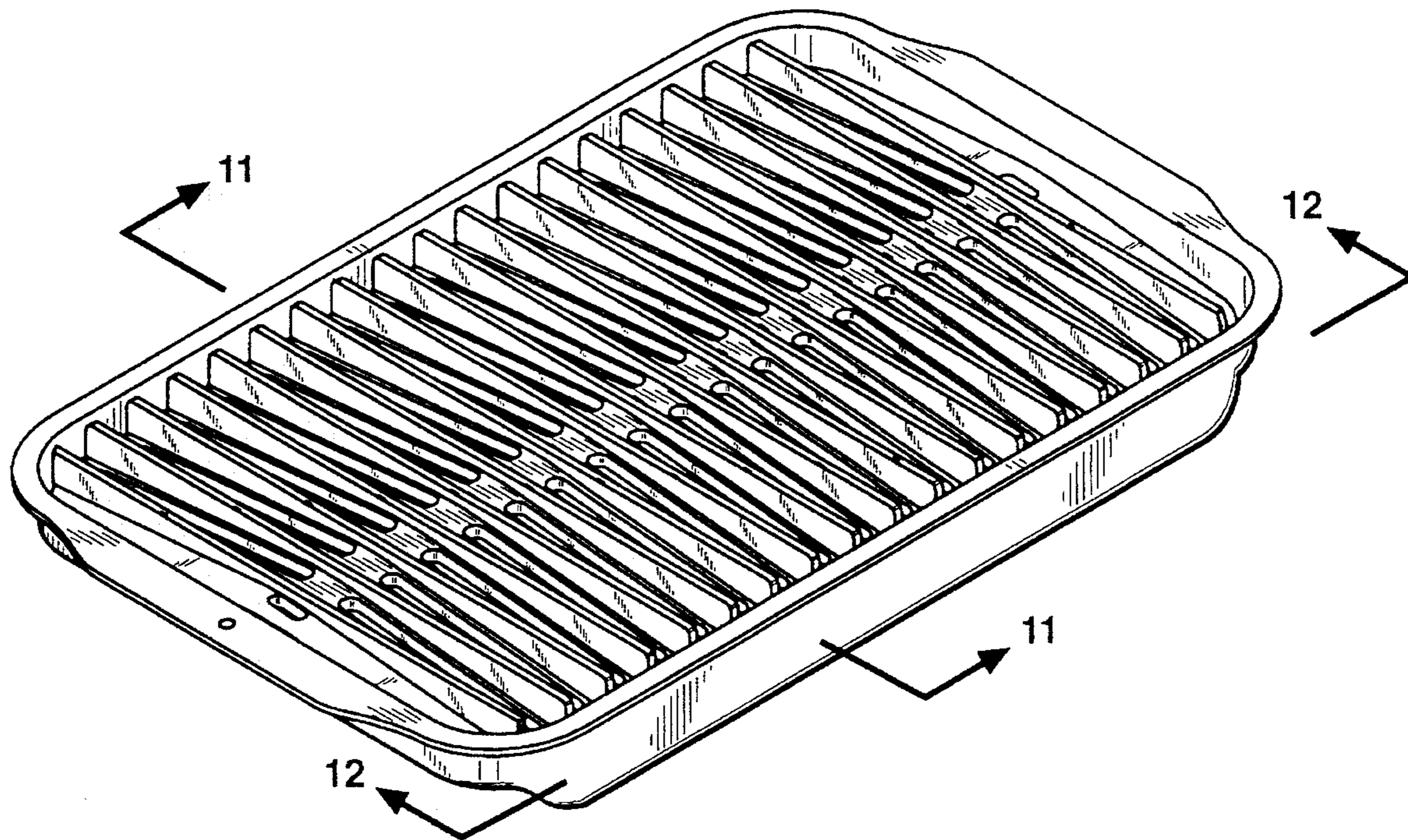
[57] **CLAIM**

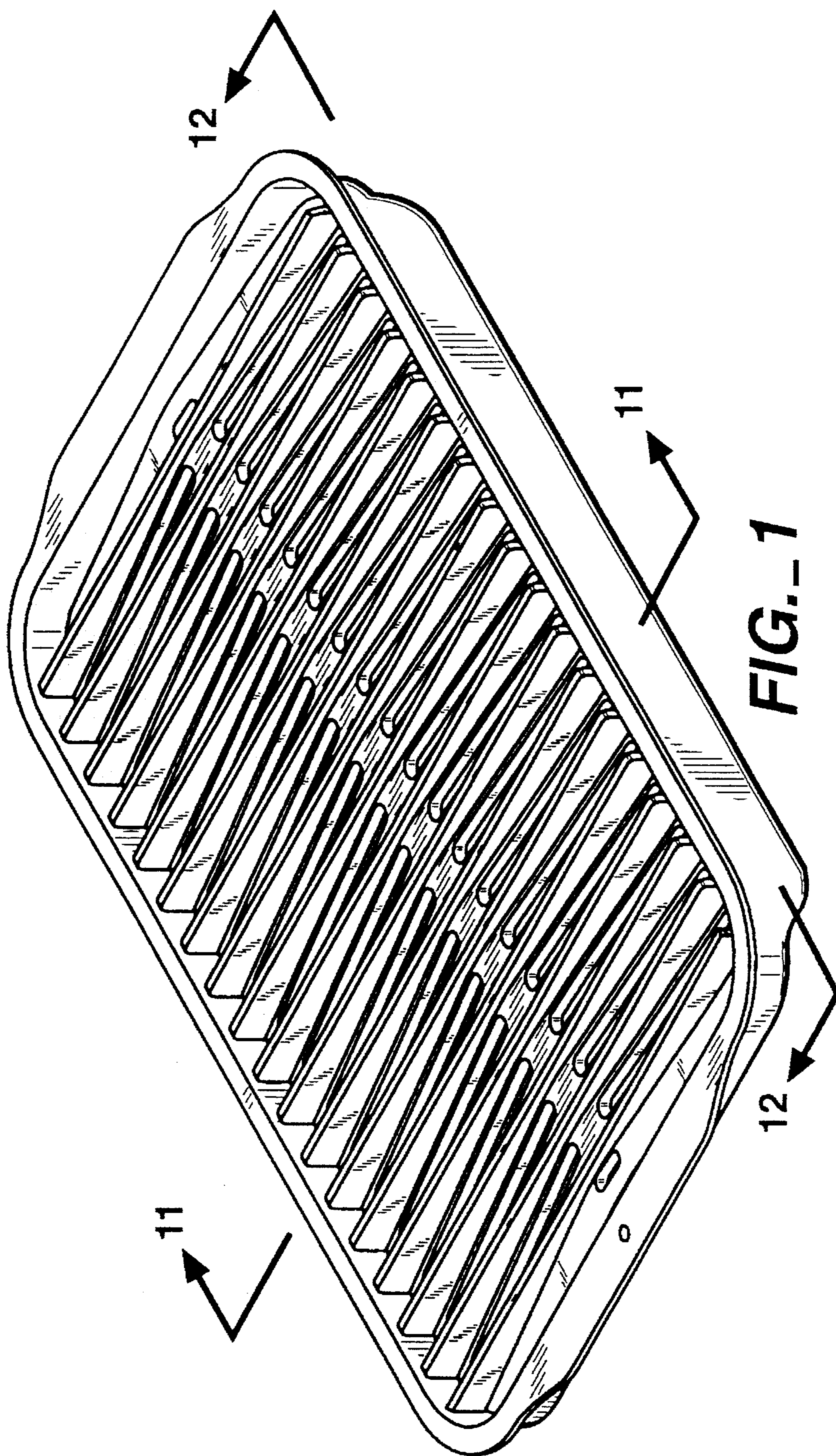
The ornamental design for a cast broiling pan, as shown and described.

DESCRIPTION

FIG. 1 is a perspective view of the invention; FIG. 2 is an exploded perspective view of the invention; FIG. 3 is a front elevation view of the grill shown separately for ease of illustration, the rear elevation view being a mirror image; FIG. 4 is an end view of one end of a grill of the invention, the other end being a mirror image; FIG. 5 is a top view of a grill of the invention; FIG. 6 is a bottom view of a grill of the invention; FIG. 7 is a front elevation view of the pan shown separately for ease of illustration, the rear elevation view being a mirror image; FIG. 8 is an end view of a pan of the invention, the other end being a mirror image; FIG. 9 is a top view of a pan of the invention; FIG. 10 is a bottom view of a pan of the invention; FIG. 11 is a cross-sectional view of the invention as shown in FIG. 1 taken at 11—11; and, FIG. 12 is a side cross-sectional view of the invention of FIG. 1 taken at 12—12.

1 Claim, 7 Drawing Sheets





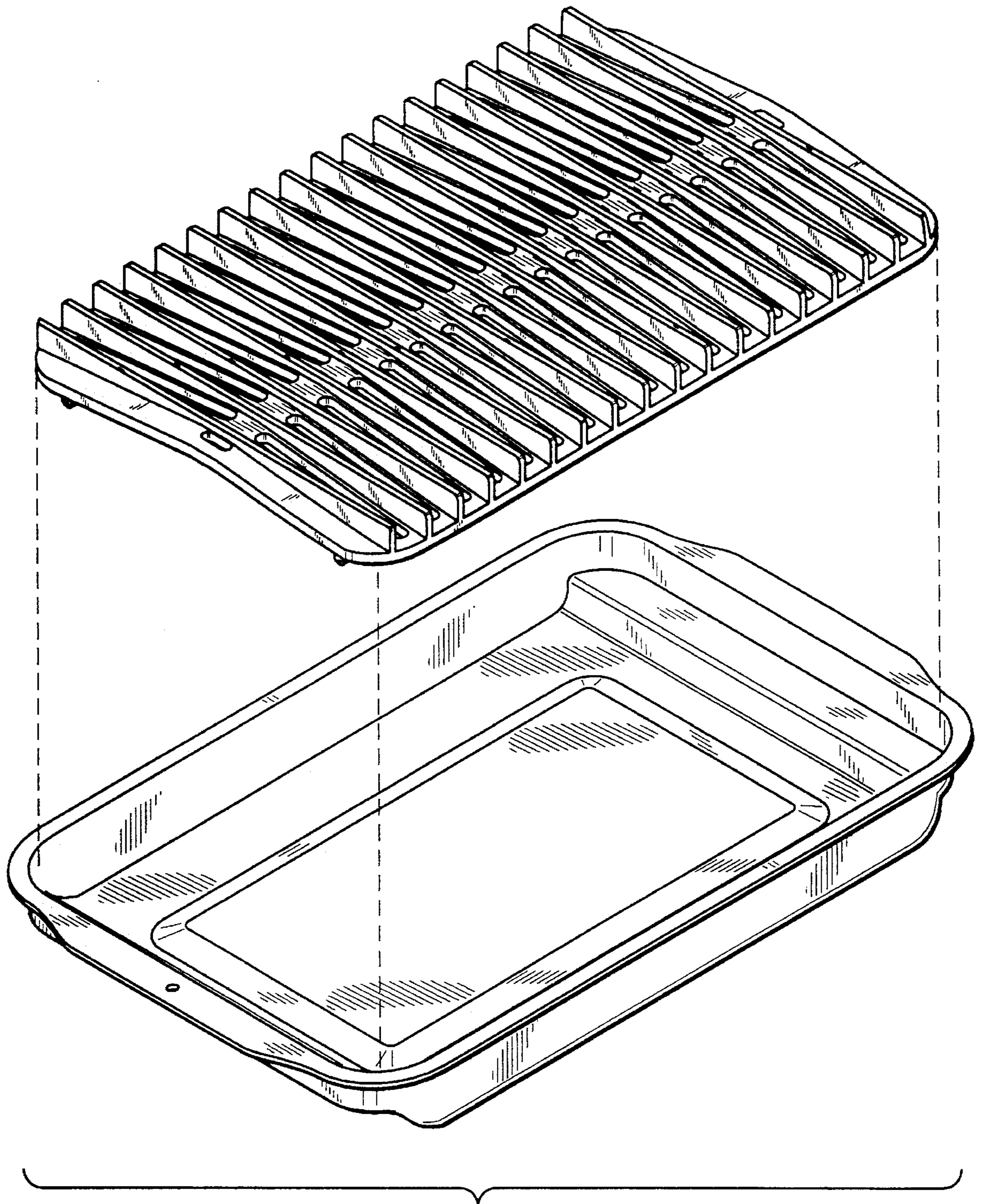


FIG. 2

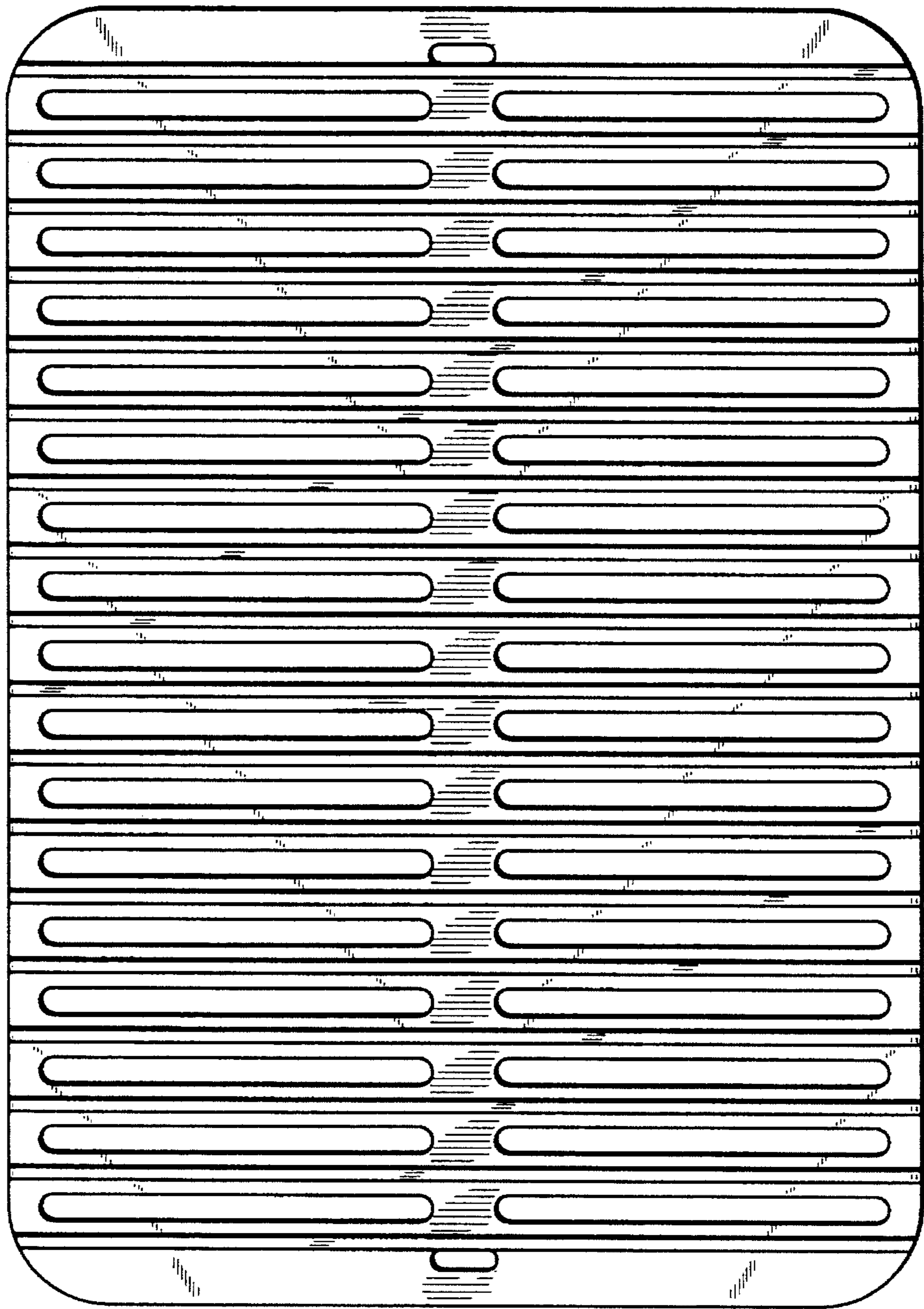
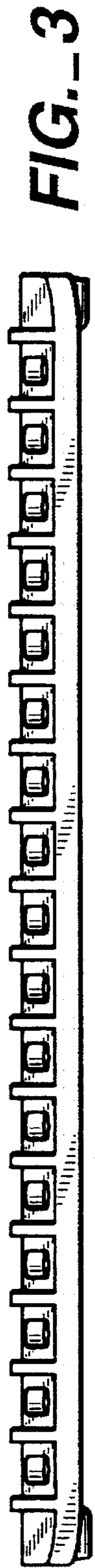


FIG. 4

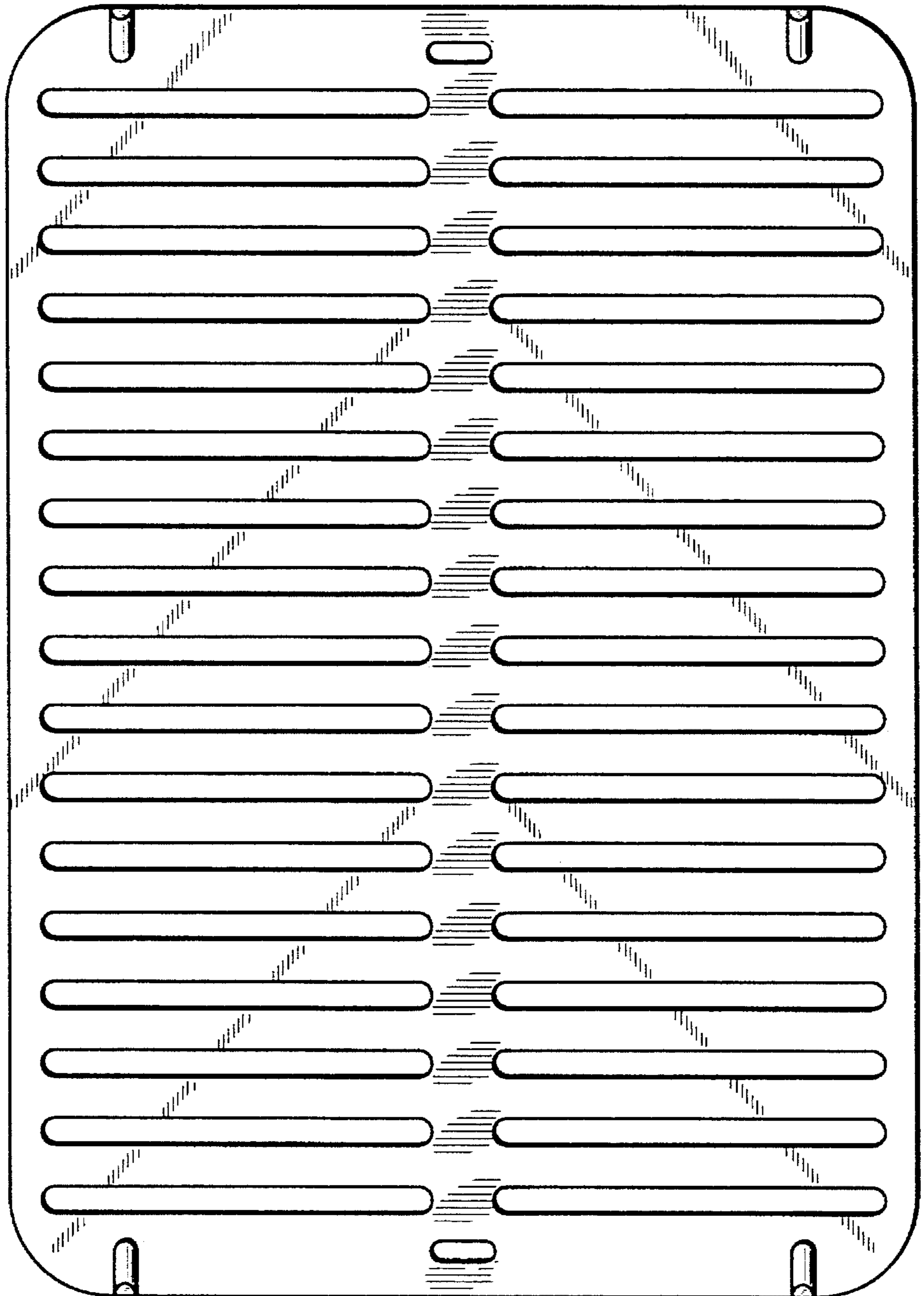


FIG. 6

FIG. 7

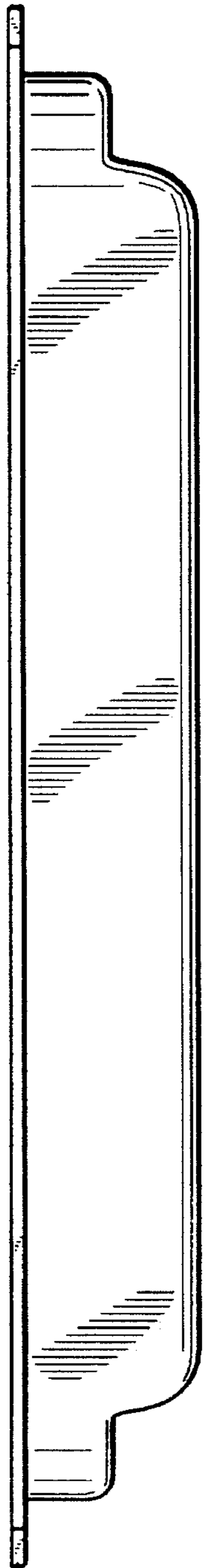


FIG. 9

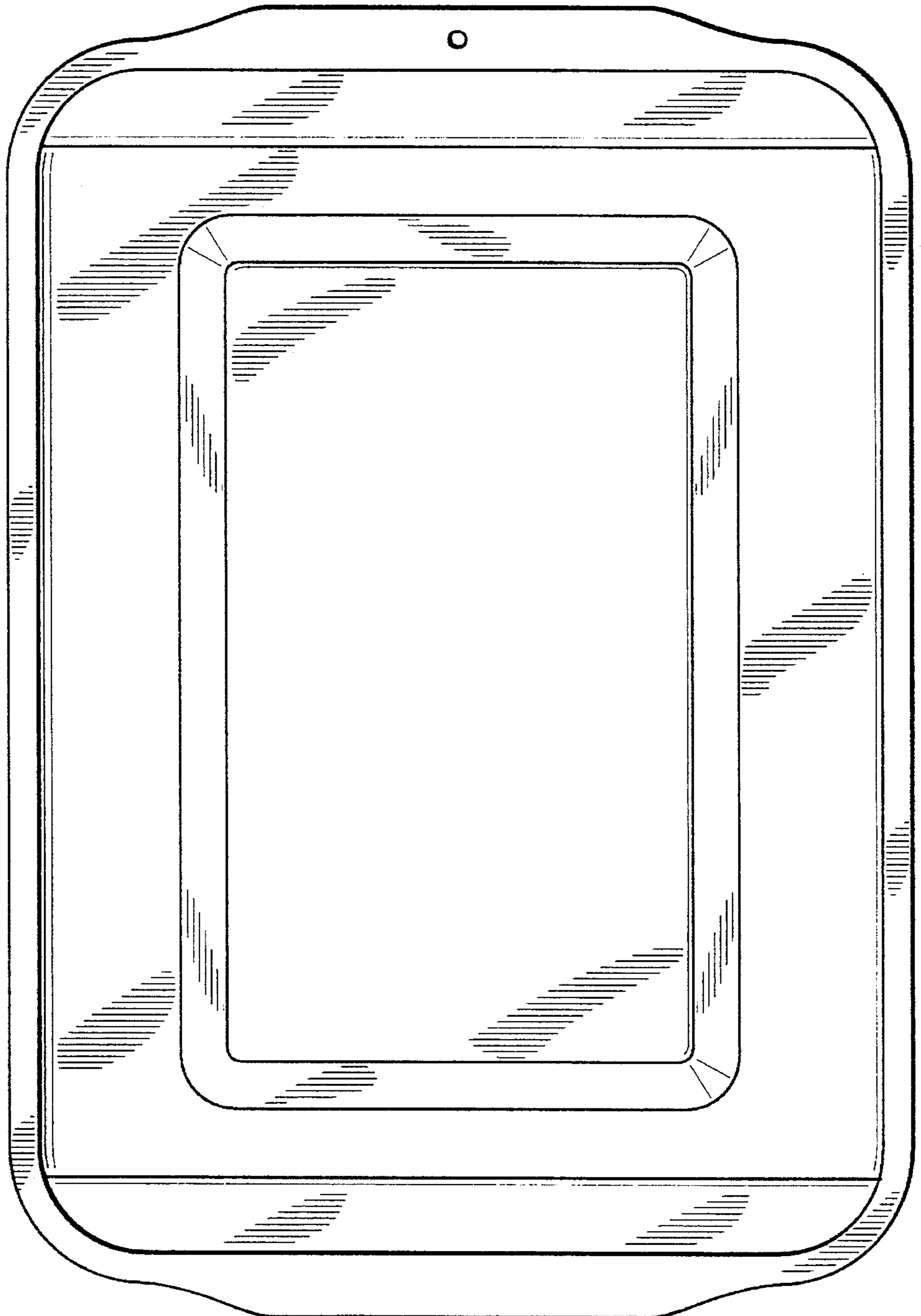


FIG. 8

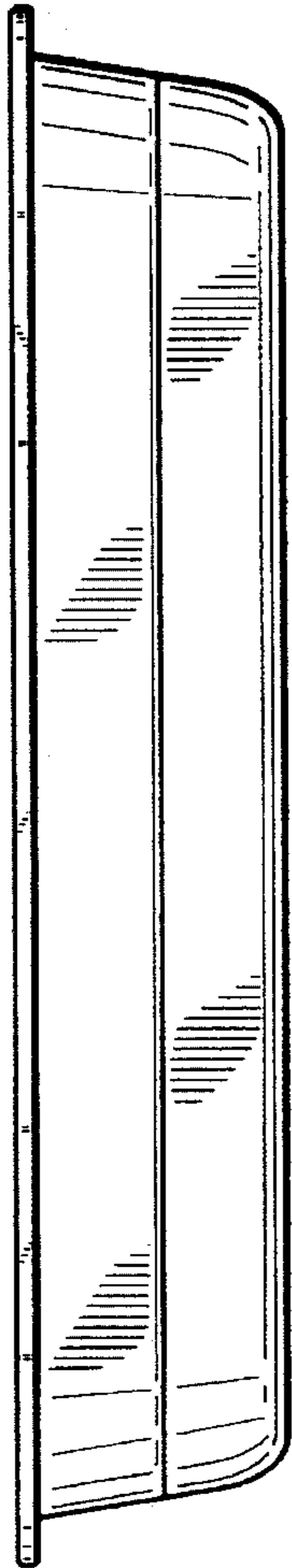
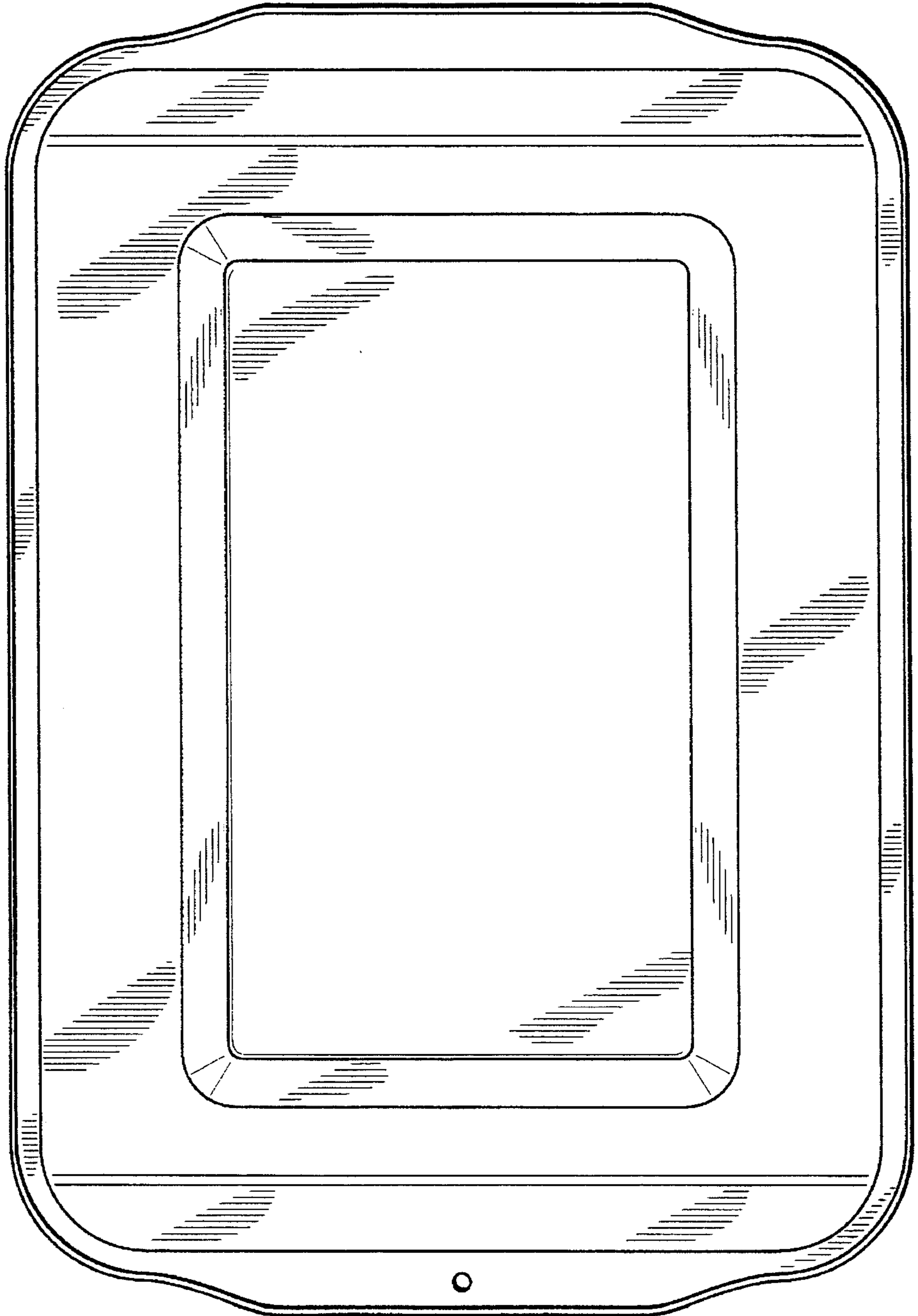


FIG. 10



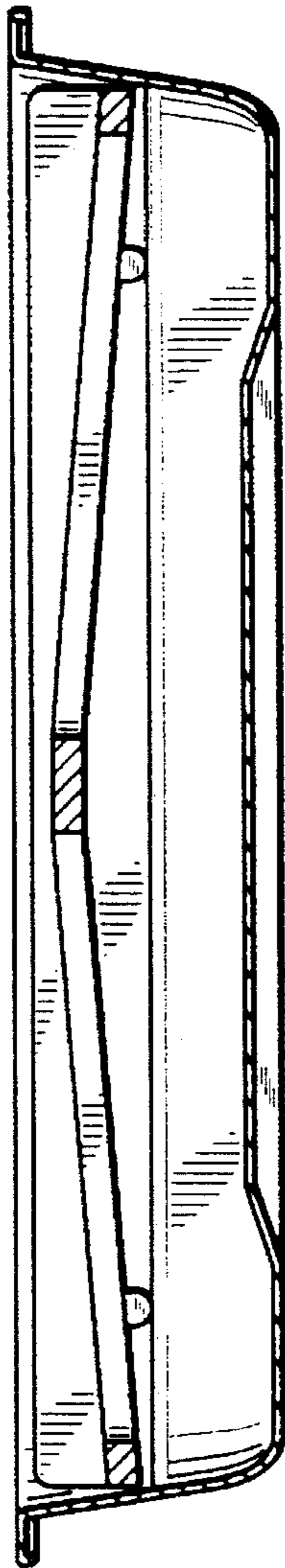


FIG. 11

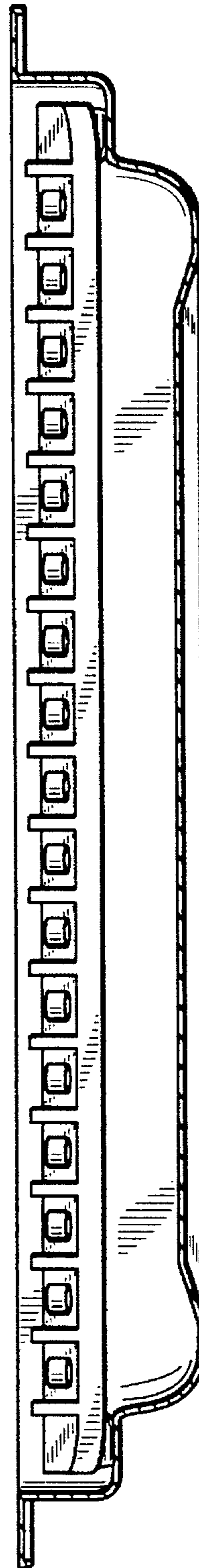


FIG. 12