



US00D365494S

**United States Patent** [19]  
**Roussard**

[11] **Patent Number: Des. 365,494**

[45] **Date of Patent: \*\*Dec. 26, 1995**

[54] **PRESSURE COOKER**

[75] Inventor: **Philippe Roussard**, Dijon, France

[73] Assignee: **SEB**, Selongey, France

[\*\*] Term: **14 Years**

[21] Appl. No.: **31,892**

[22] Filed: **Dec. 8, 1994**

[30] **Foreign Application Priority Data**

Jun. 10, 1994 [FR] France ..... 94 3442

[52] **U.S. Cl.** ..... **D7/358; D7/360**

[58] **Field of Search** ..... **D7/354-361, 323, D7/365, 366; 99/324, 336, 403; 220/912**

[56] **References Cited**

**U.S. PATENT DOCUMENTS**

D. 156,298 11/1949 Wagner ..... D7/358

D. 253,867 1/1980 Boldt et al. .... D7/358

D. 295,817 5/1988 Sebillotte ..... D7/358  
D. 312,751 12/1990 Moreno ..... D7/358  
4,257,394 3/1981 Zabel ..... D7/358 X

*Primary Examiner*—Alan P. Douglas  
*Assistant Examiner*—Caron D. Veynar  
*Attorney, Agent, or Firm*—Loeb & Loeb

[57] **CLAIM**

The ornamental design for a pressure cooker, as shown.

**DESCRIPTION**

FIG. 1 is a right side elevational view of a pressure cooker showing my new design;

FIG. 2 is a left side elevational view thereof;

FIG. 3 is a rear elevational view thereof;

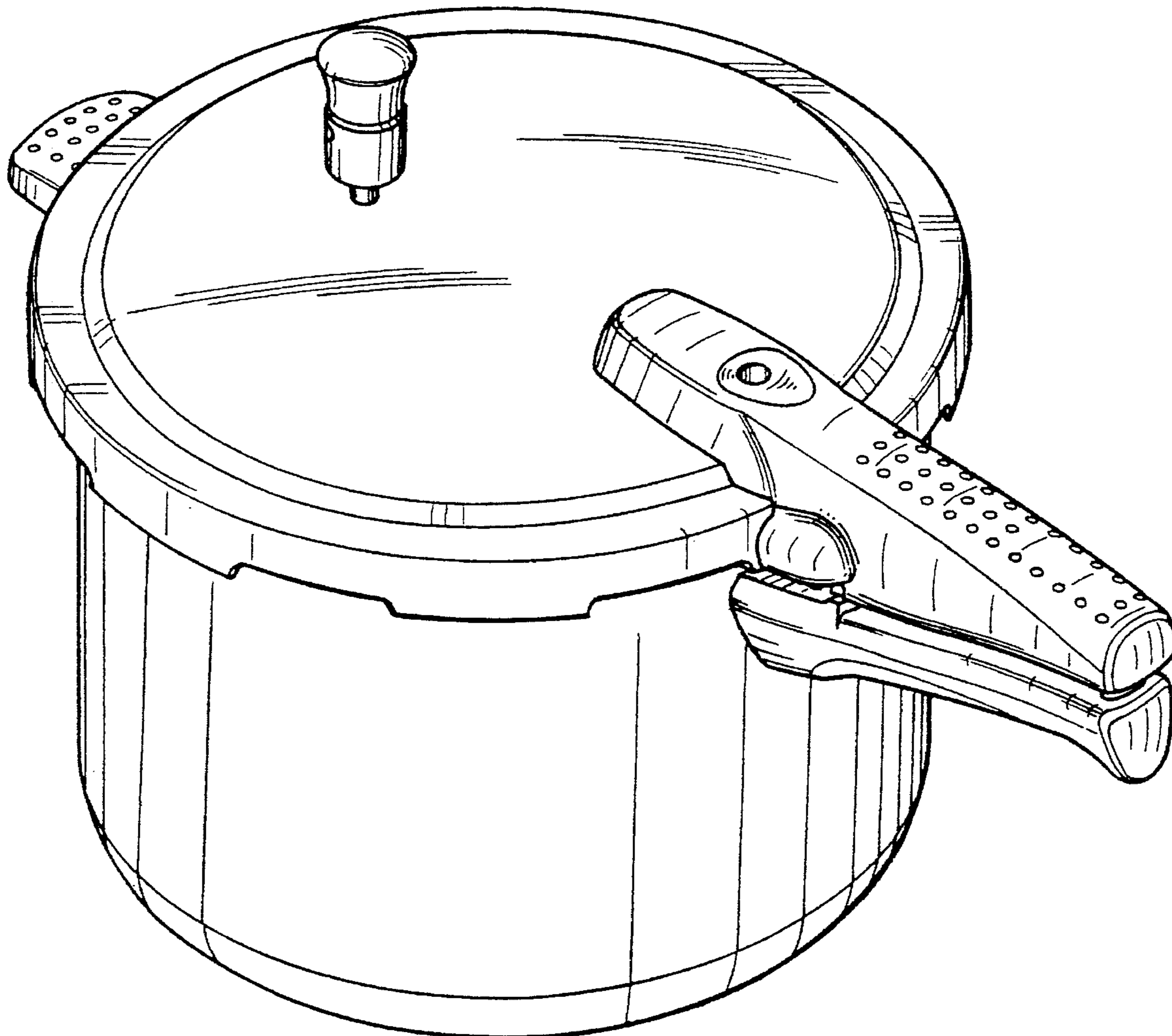
FIG. 4 is a front elevational view thereof;

FIG. 5 is a top plan view thereof;

FIG. 6 is a bottom plan view thereof; and,

FIG. 7 is a perspective view thereof.

**1 Claim, 7 Drawing Sheets**



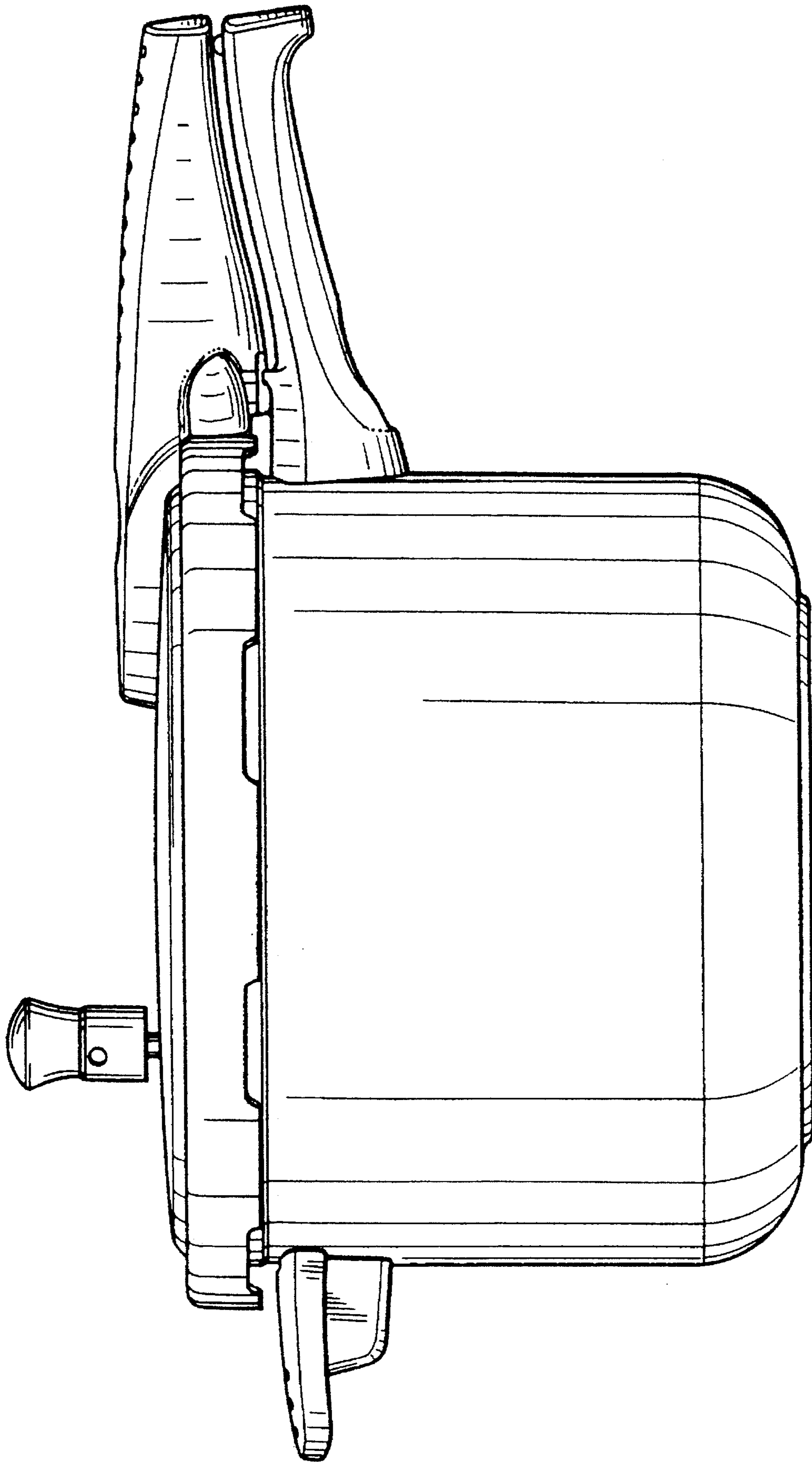


FIG. 1

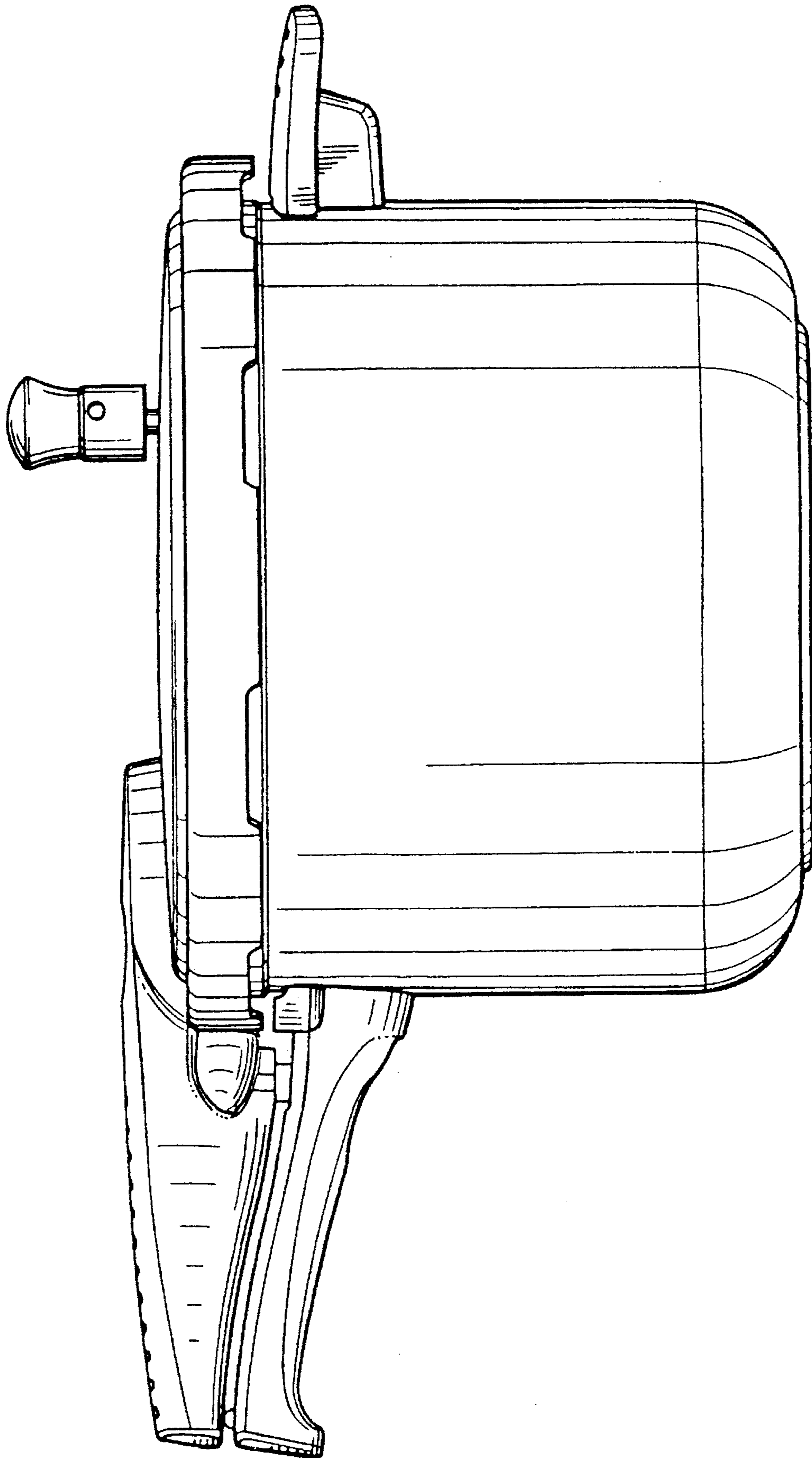


FIG. 2

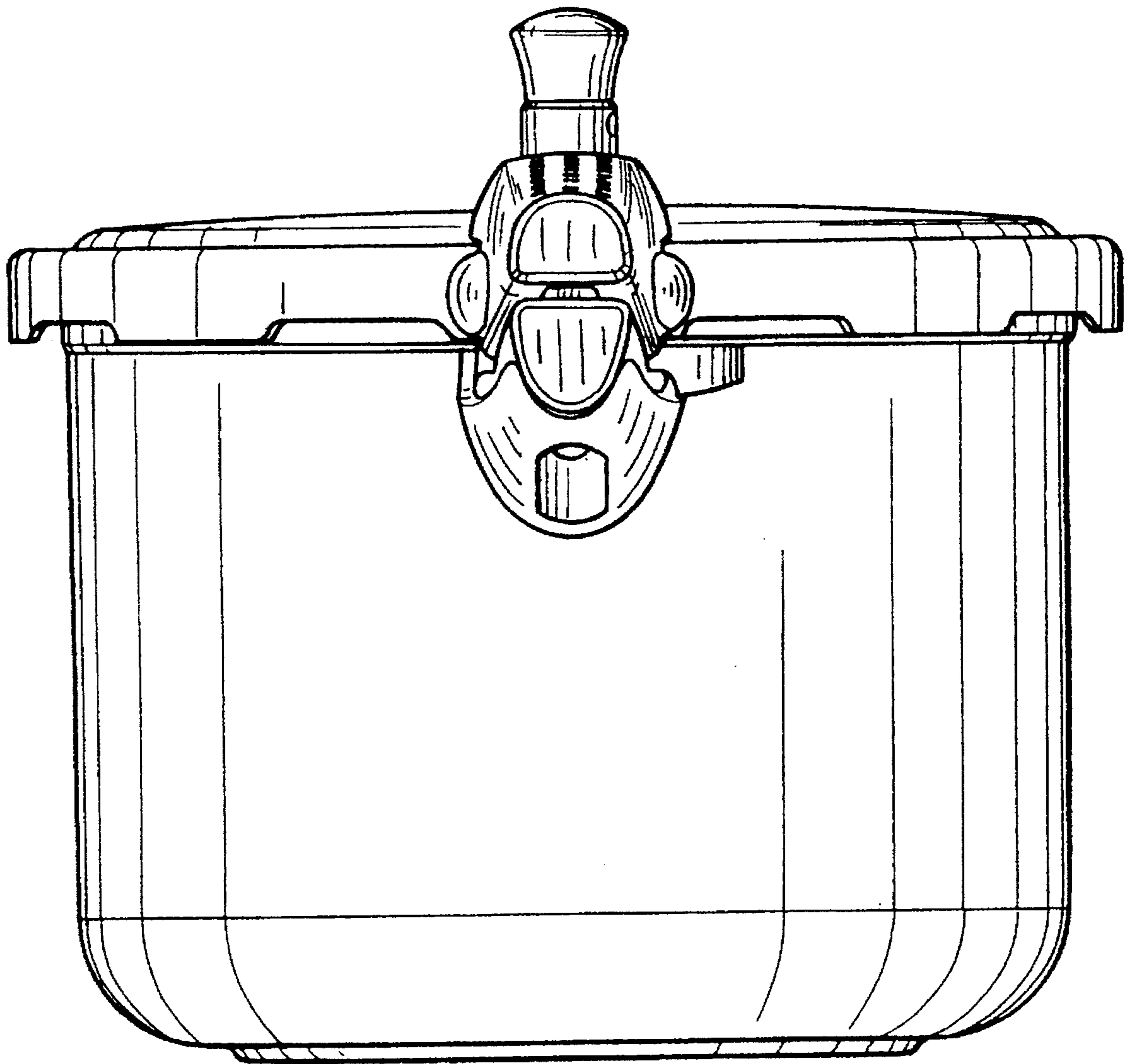


FIG. 3

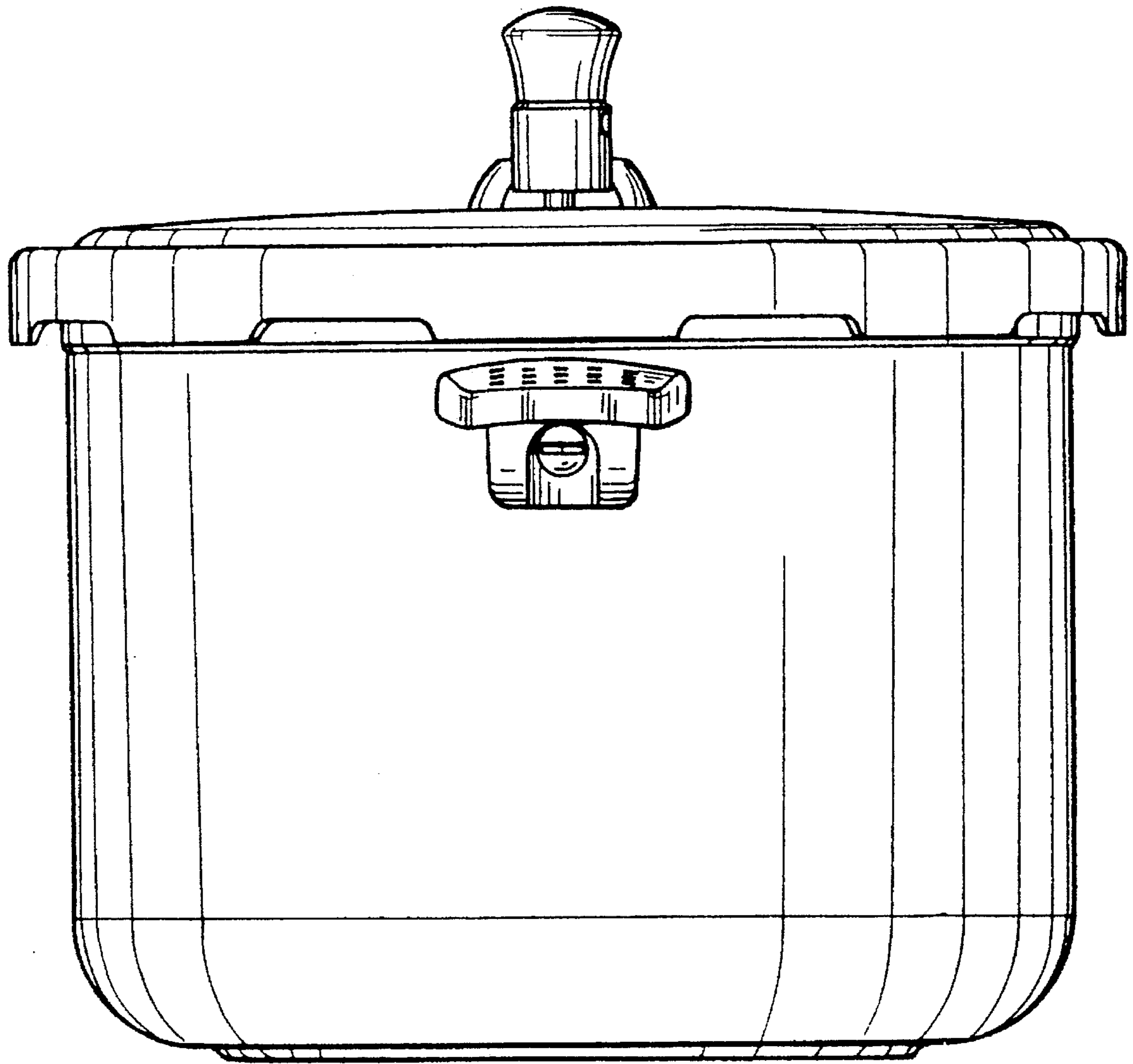


FIG. 4



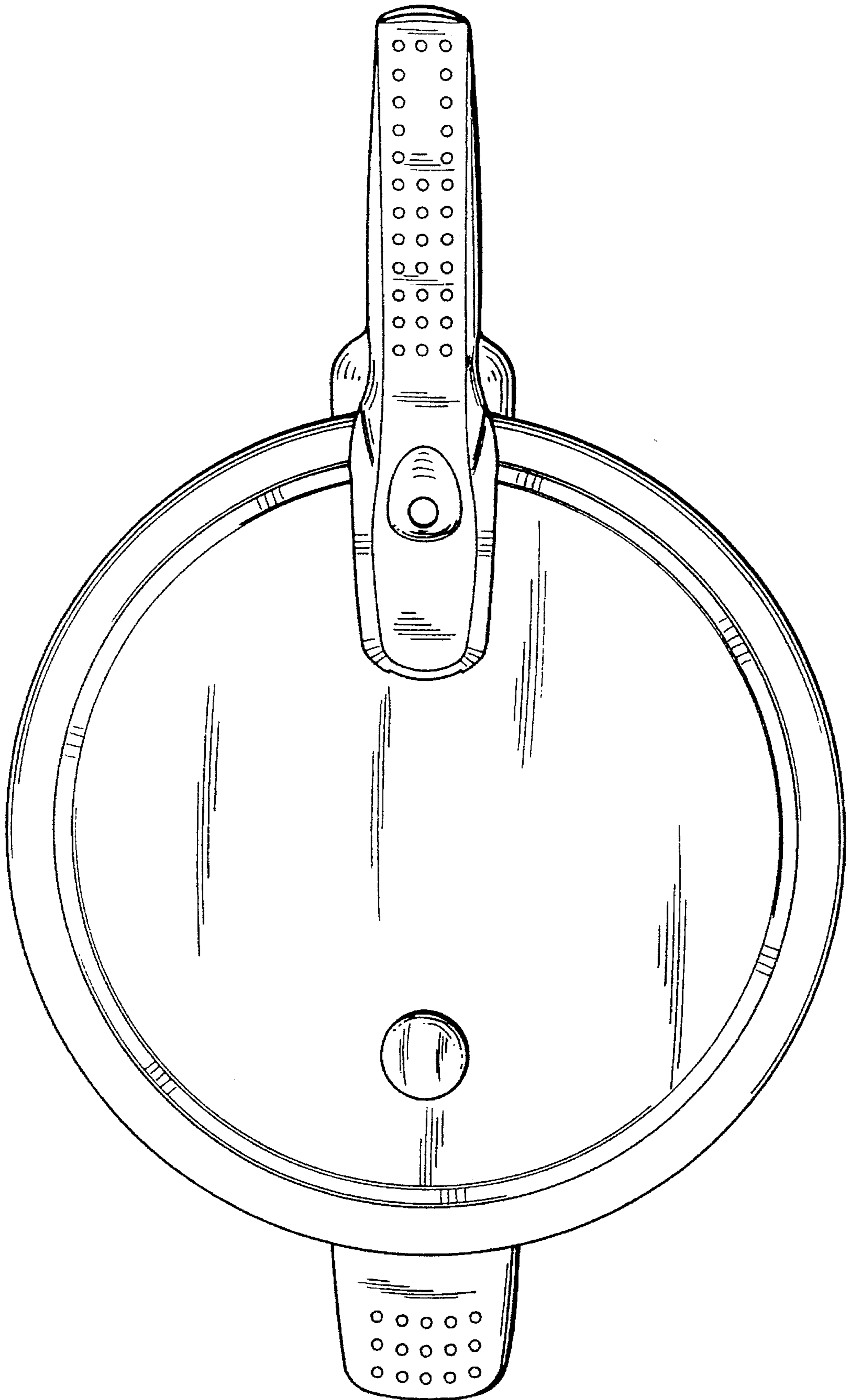


FIG. 5

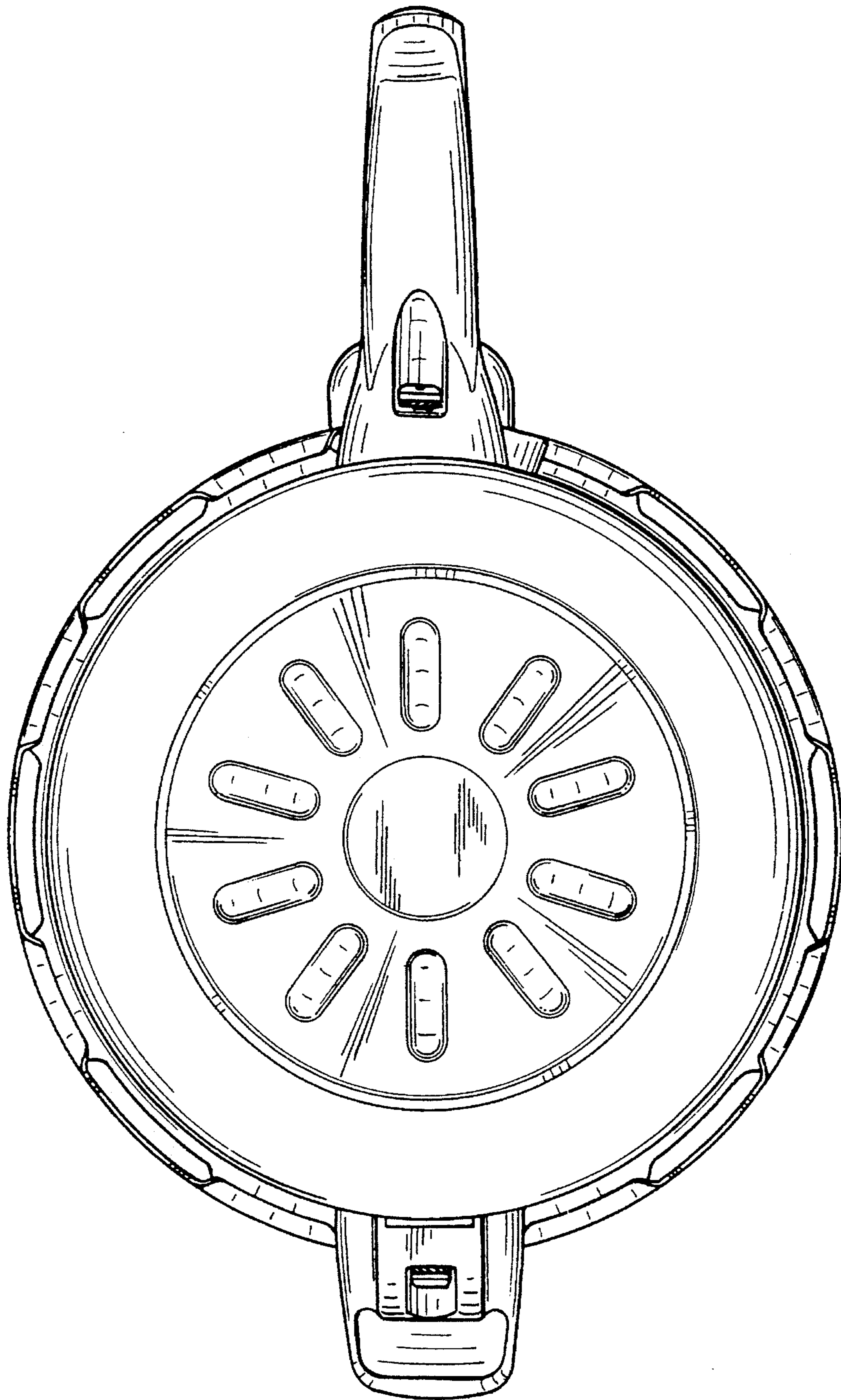


FIG. 6

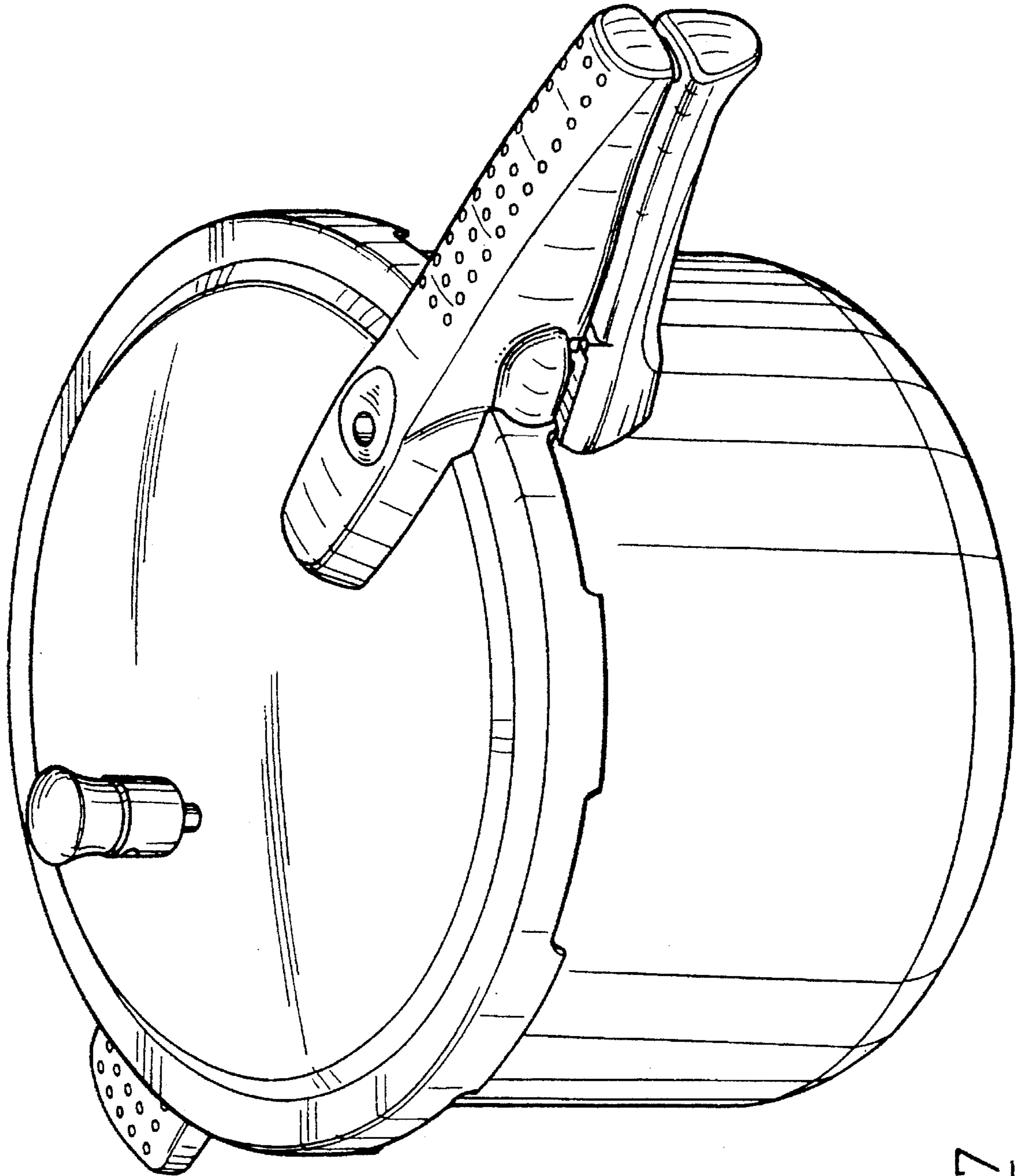


FIG. 7