



US00D365492S

# United States Patent [19]

[11] Patent Number: **Des. 365,492**

**Rorke**

[45] Date of Patent: **\*\*Dec. 26, 1995**

[54] **CARAFE**

D. 354,879 1/1995 Ullmann ..... D7/312 X  
D. 355,329 2/1995 Ullmann ..... D7/316 X

[75] Inventor: **Anthony B. Rorke**, Guilford, Conn.

### OTHER PUBLICATIONS

[73] Assignee: **Black & Decker Inc.**, Newark, Del.

Carafe by Oster, Better Homes & Gardens Dec. 1984, p. Z25.

[\*\*] Term: **14 Years**

*Primary Examiner*—Alan P. Douglas  
*Assistant Examiner*—M. N. Pandozzi  
*Attorney, Agent, or Firm*—Barry E. Deutsch

[21] Appl. No.: **32,197**

[22] Filed: **Dec. 14, 1994**

[52] U.S. Cl. .... **D7/319**; D7/318; D7/317

[57] **CLAIM**

[58] Field of Search ..... D7/300, 312, 319,  
D7/316, 317, 318, 319, 321, 322, 320,  
303; 99/279

The ornamental design for a carafe, as shown and described.

### DESCRIPTION

[56] **References Cited**

FIG. 1 is a perspective view showing the front, right side and top of a carafe illustrating my new design;  
FIG. 2 is a right side elevational view thereof;  
FIG. 3 is a left side elevational view thereof;  
FIG. 4 is a top plan view thereof;  
FIG. 5 is a bottom plan view thereof;  
FIG. 6 is a rear elevational view thereof; and,  
FIG. 7 is a front elevational view thereof.

#### U.S. PATENT DOCUMENTS

D. 176,440	12/1955	Bloch	.....	D7/317 X
D. 252,604	8/1979	Harris	.....	D7/317
D. 326,206	5/1993	Rakocy et al.	.....	D7/318 X
D. 339,712	9/1993	Bunn et al.	.....	D7/317 X
D. 341,985	12/1993	Bunn et al.	.....	D7/316 X
D. 343,760	2/1994	Lin	.....	D7/316 X
D. 343,984	2/1994	Lin	.....	D7/320
D. 346,525	5/1994	Littmann	.....	D7/318 X

**1 Claim, 4 Drawing Sheets**

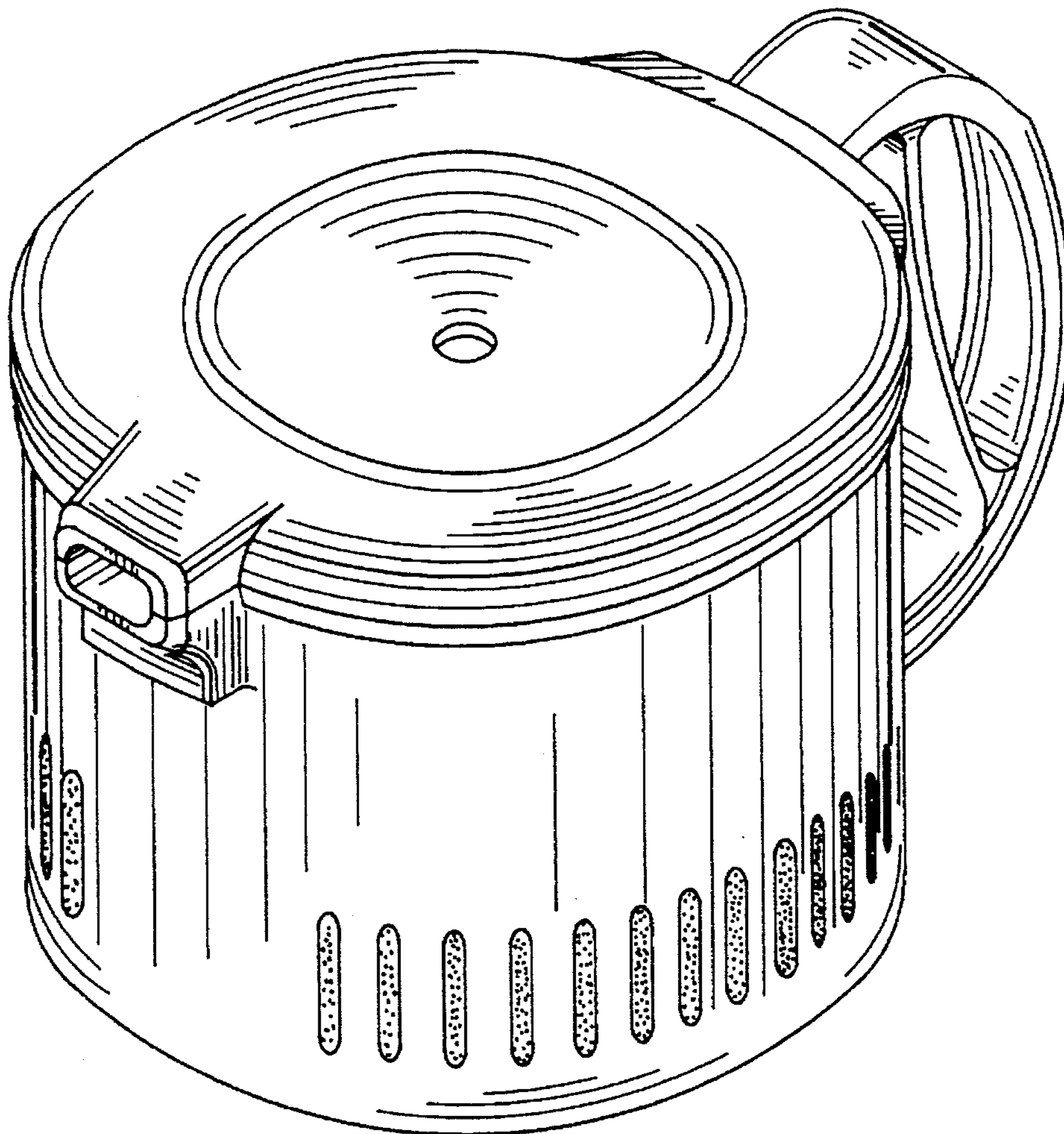


FIG. 1

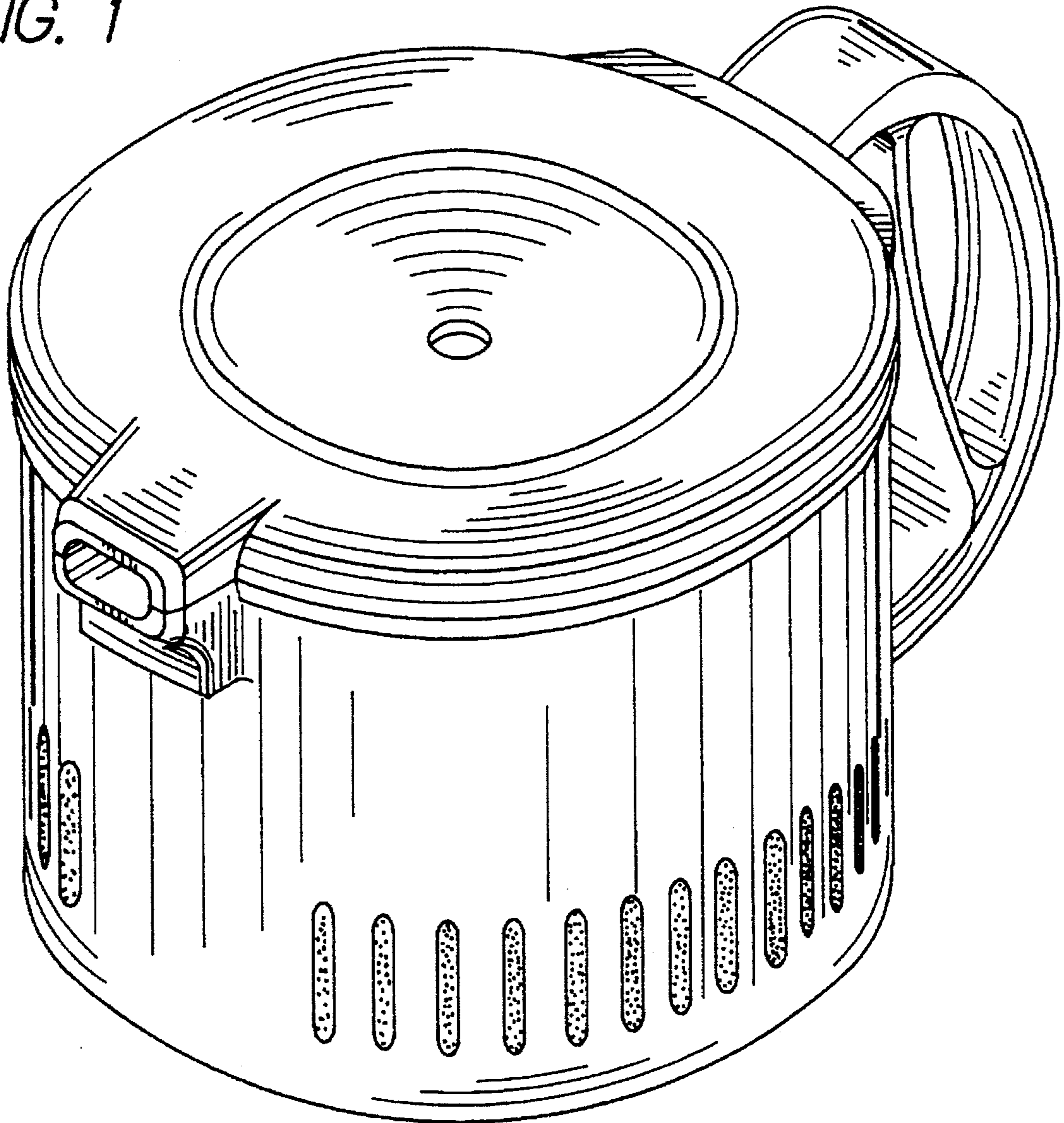


FIG. 2

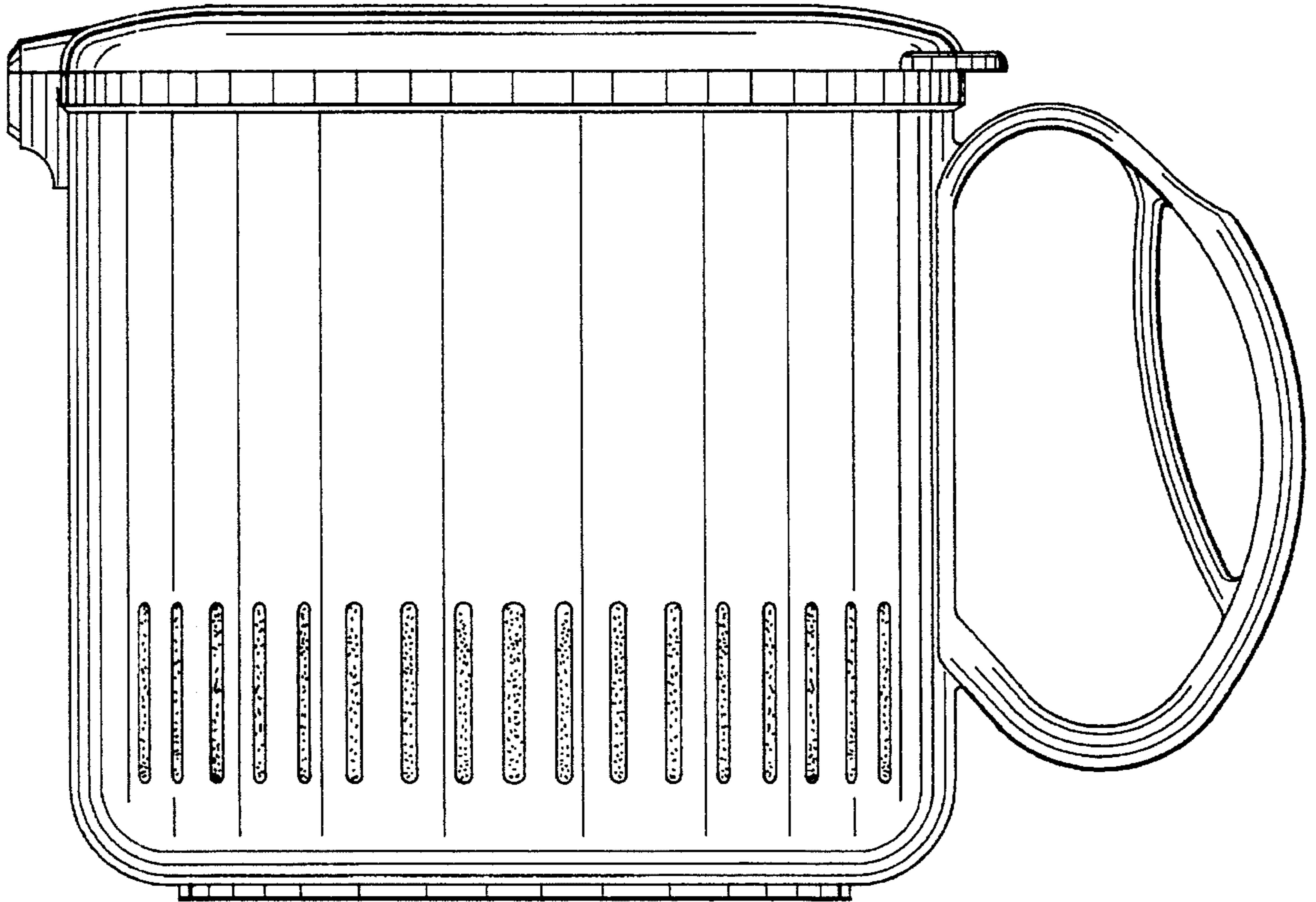


FIG. 3

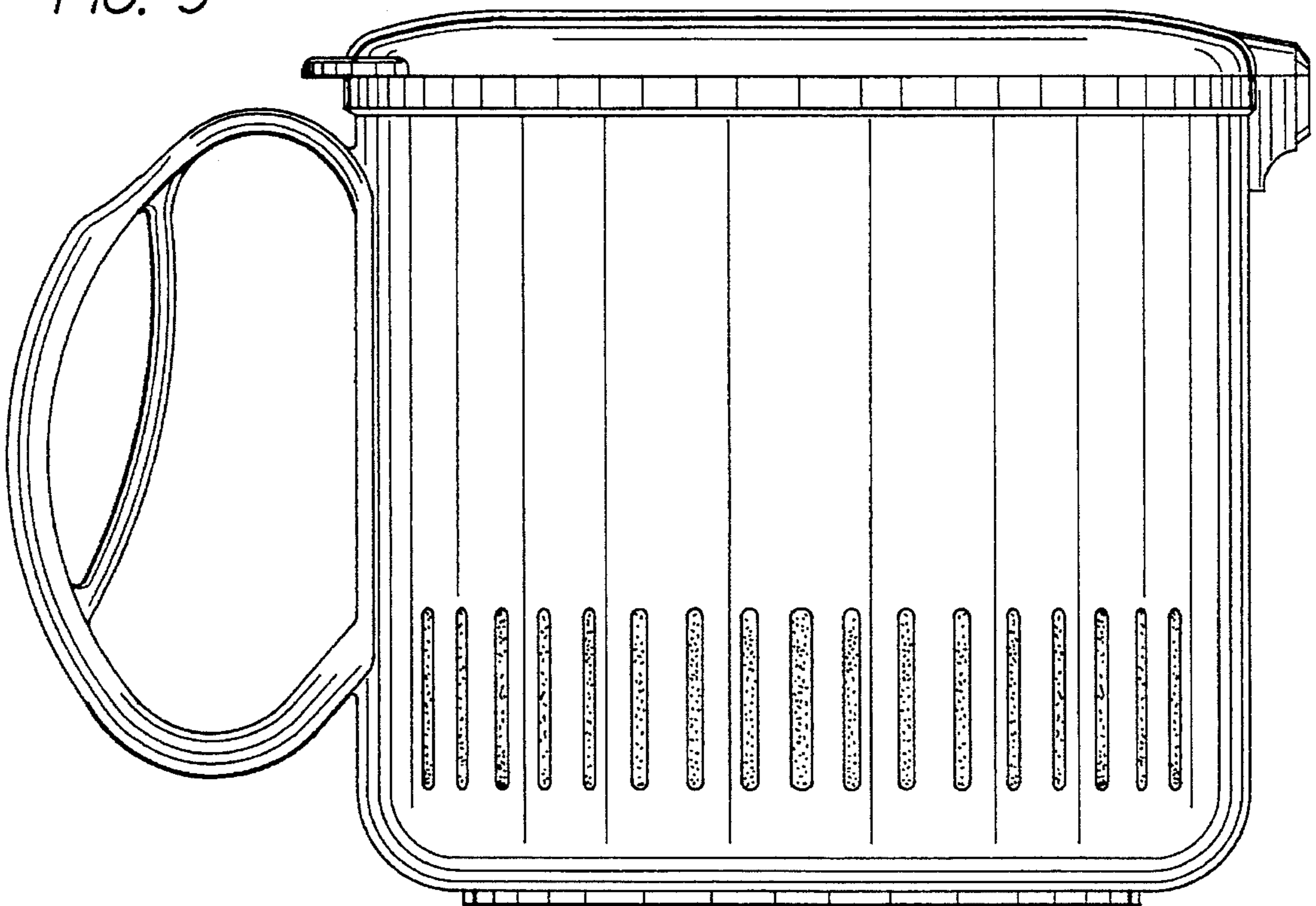


FIG. 4

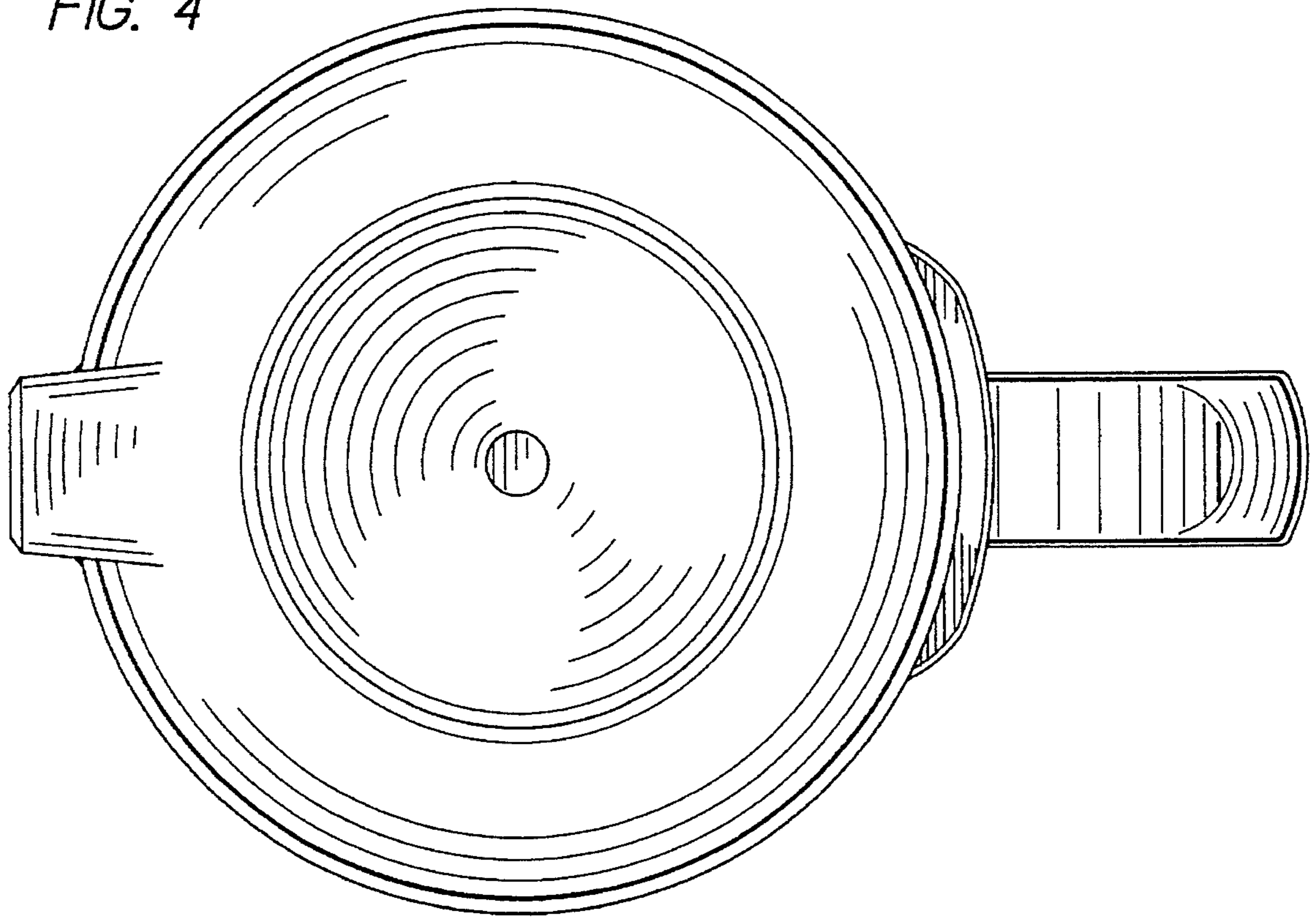
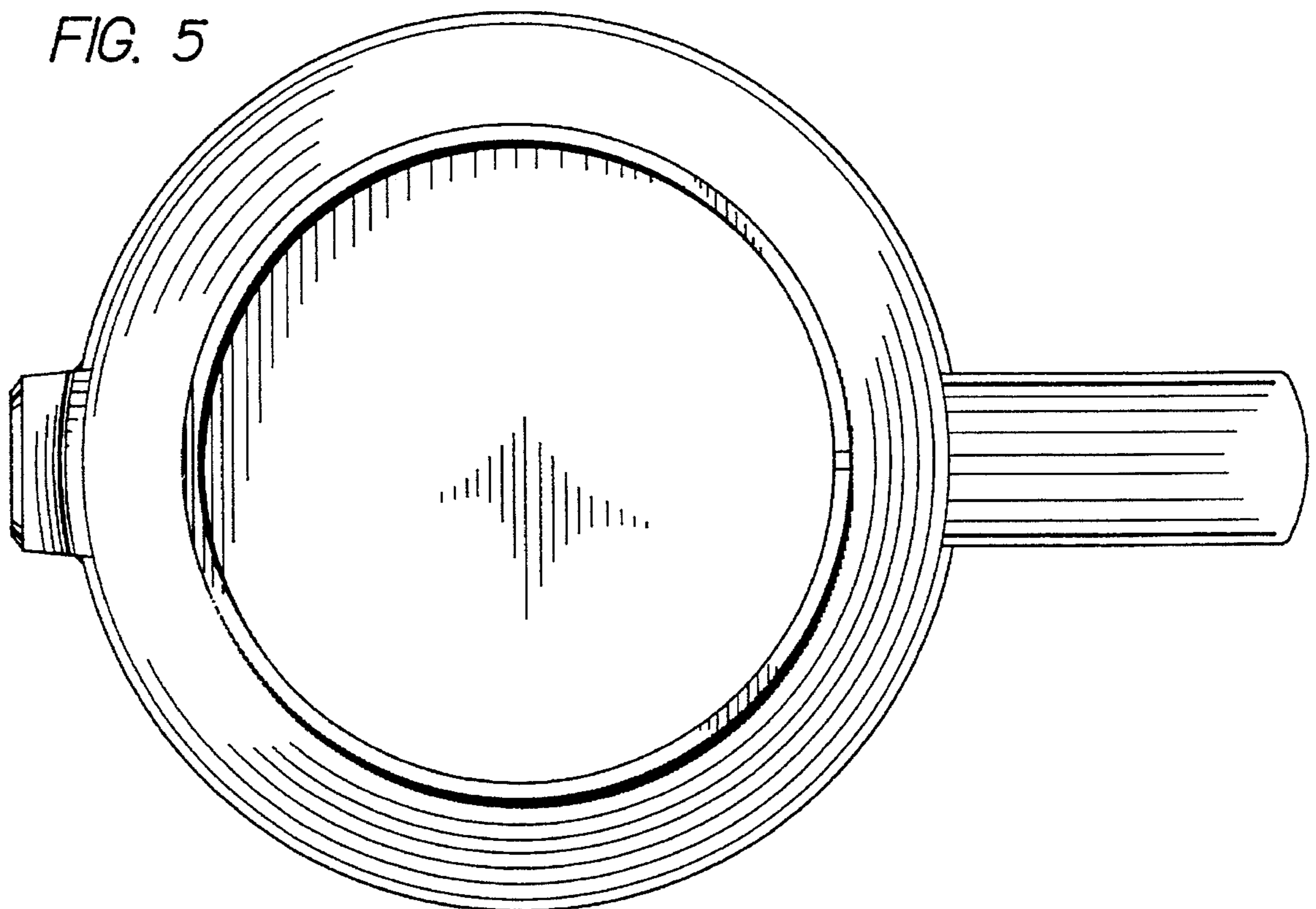


FIG. 5



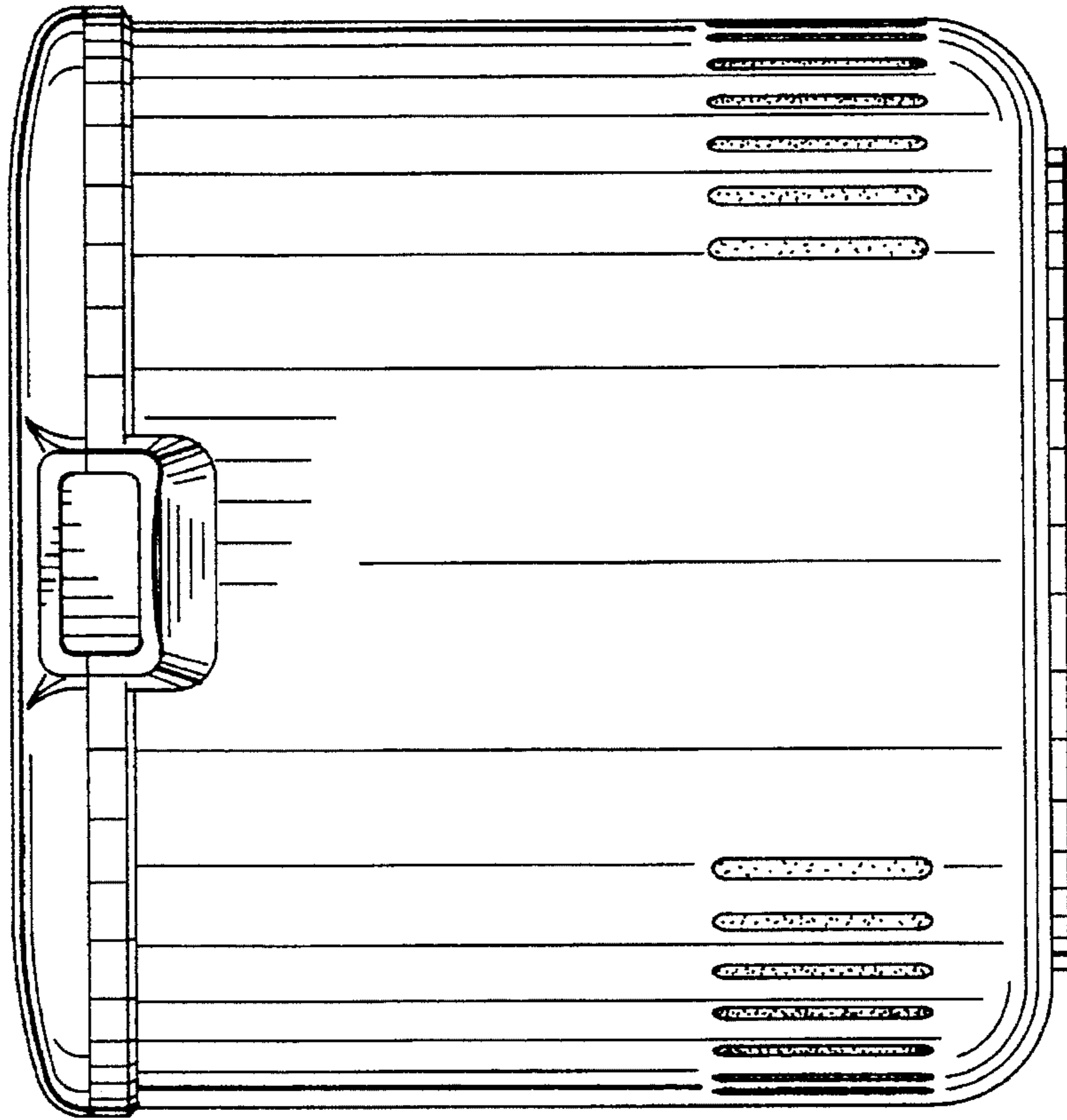


FIG. 7

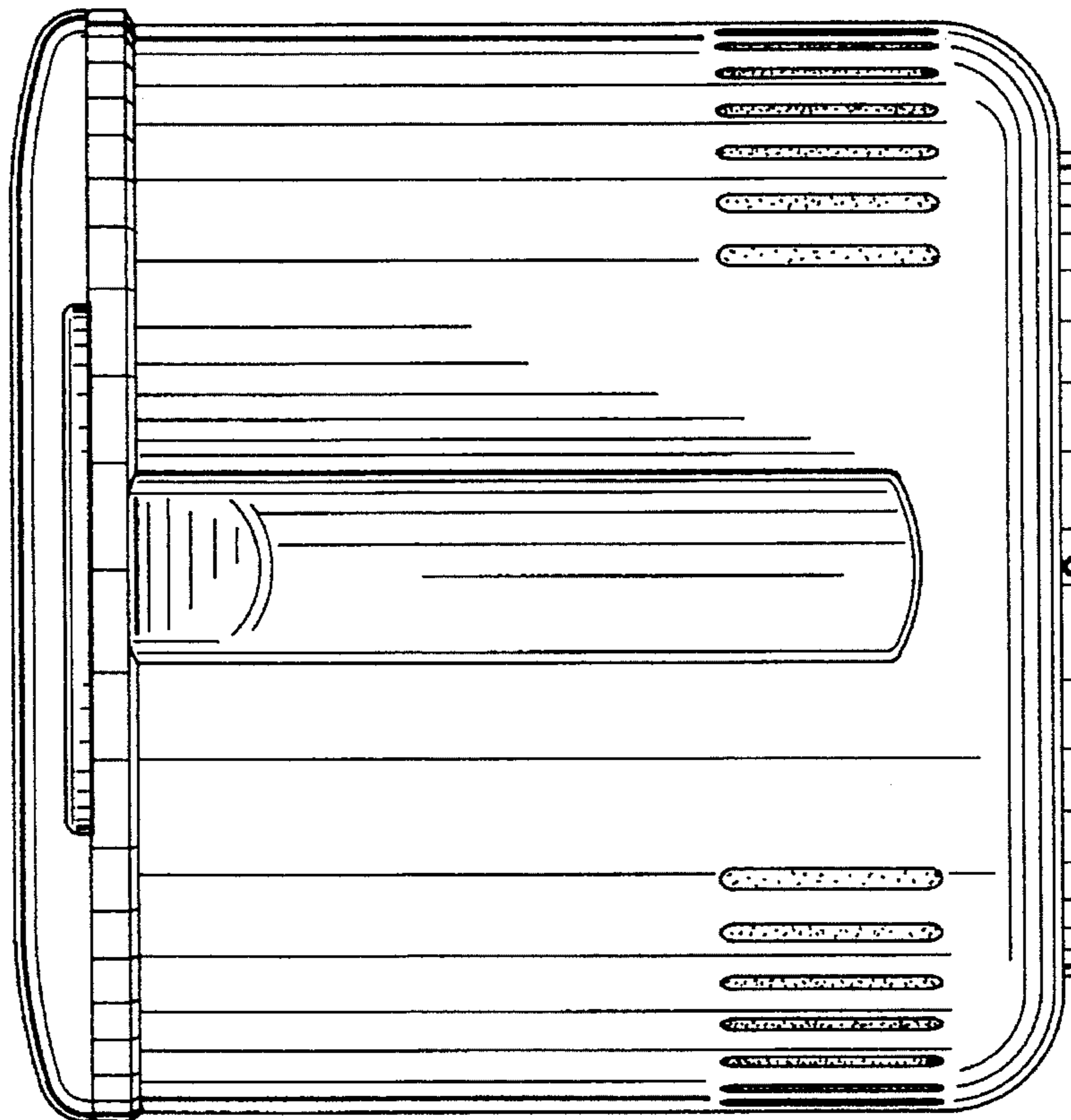


FIG. 6