



US00D365491S

United States Patent [19] Hui

[11] Patent Number: **Des. 365,491**

[45] Date of Patent: ****Dec. 26, 1995**

[54] **HOT WATER DISPENSER**

[75] Inventor: **Chao Ming Hui**, Tainan Hsien, Taiwan

[73] Assignee: **Power Jiann Electric Co., Ltd.**, Tainan Hsien, Taiwan

[**] Term: **14 Years**

[21] Appl. No.: **27,155**

[22] Filed: **Aug. 15, 1994**

[52] U.S. Cl. **D7/311; D7/306; D7/309; D7/312**

[58] Field of Search **D7/300, 313, 311, D7/305, 306, 307, 308, 589, 309, 590, 397**

[56] **References Cited**

U.S. PATENT DOCUMENTS

D. 188,528	8/1960	Markey, Jr.	D7/313
D. 239,359	3/1976	Schmitt	D7/309
D. 243,141	1/1977	Mantelet	D7/309
D. 261,657	11/1981	Villa	D7/306

D. 293,758	1/1988	Balisteri	D7/300
4,442,343	4/1984	Genuit et al.	D7/309 X
4,516,484	5/1985	DePonti	D7/309 X
4,640,483	2/1987	Tufte	D7/397 X

Primary Examiner—Alan P. Douglas
Assistant Examiner—M. N. Pandozzi
Attorney, Agent, or Firm—Pro-Techtor International

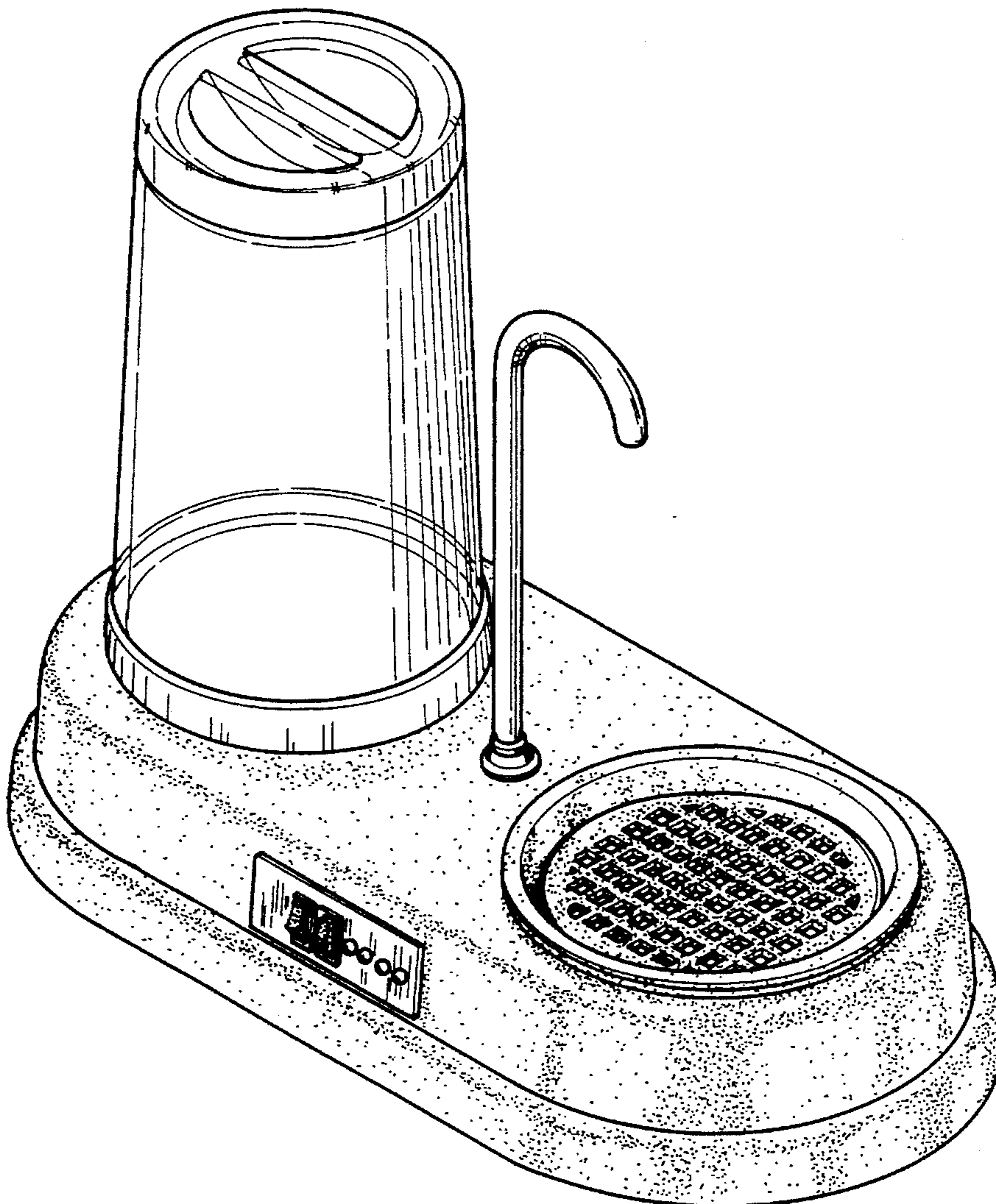
[57] **CLAIM**

The ornamental design for a hot water dispenser, as shown and described.

DESCRIPTION

FIG. 1 is a perspective view of a hot water dispenser showing my new design;
FIG. 2 is a front view thereof;
FIG. 3 is a rear view thereof;
FIG. 4 is a left side elevational view thereof;
FIG. 5 is a right side elevational view thereof;
FIG. 6 is a top plan view thereof; and,
FIG. 7 is a bottom plan view thereof.

1 Claim, 4 Drawing Sheets



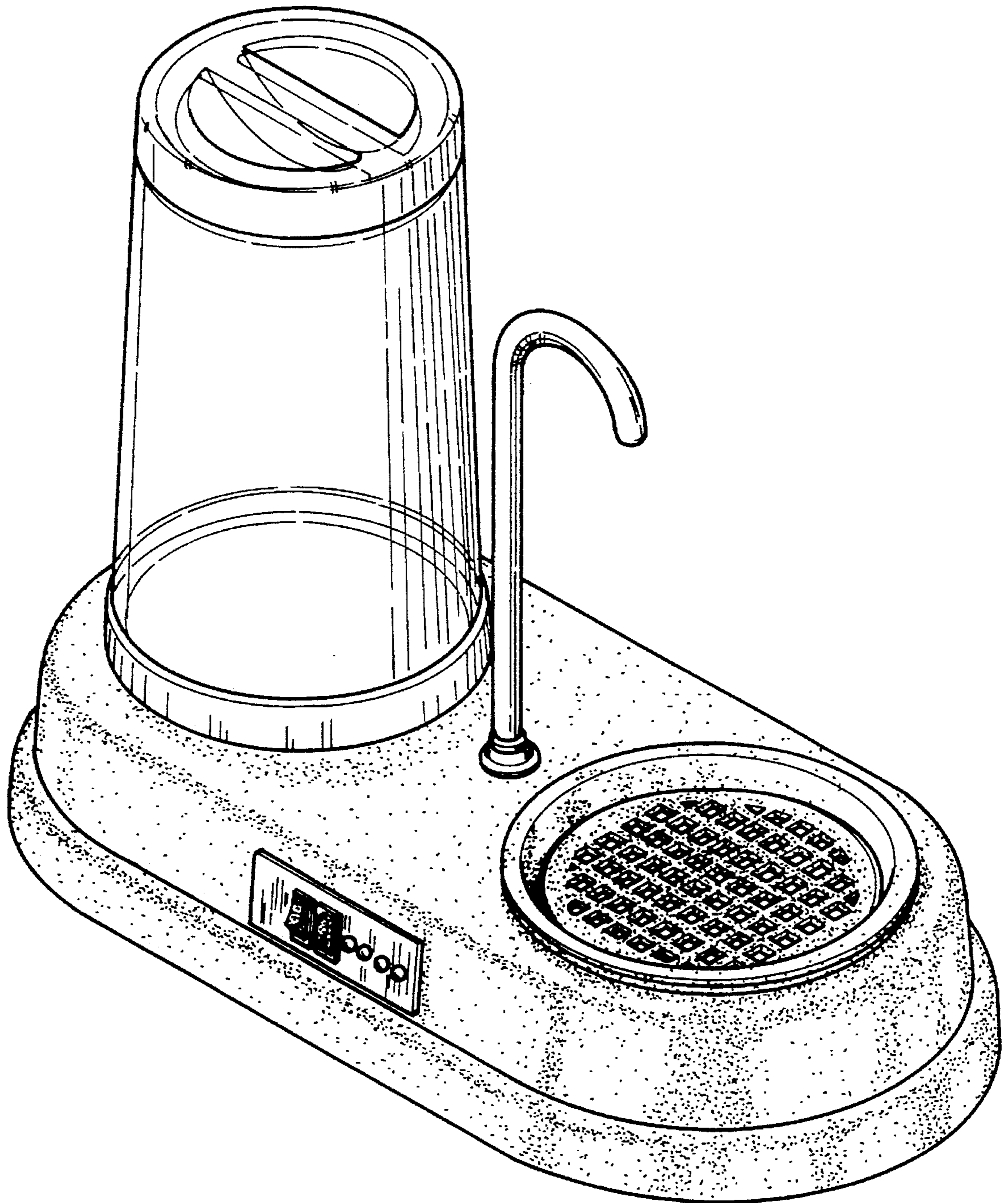
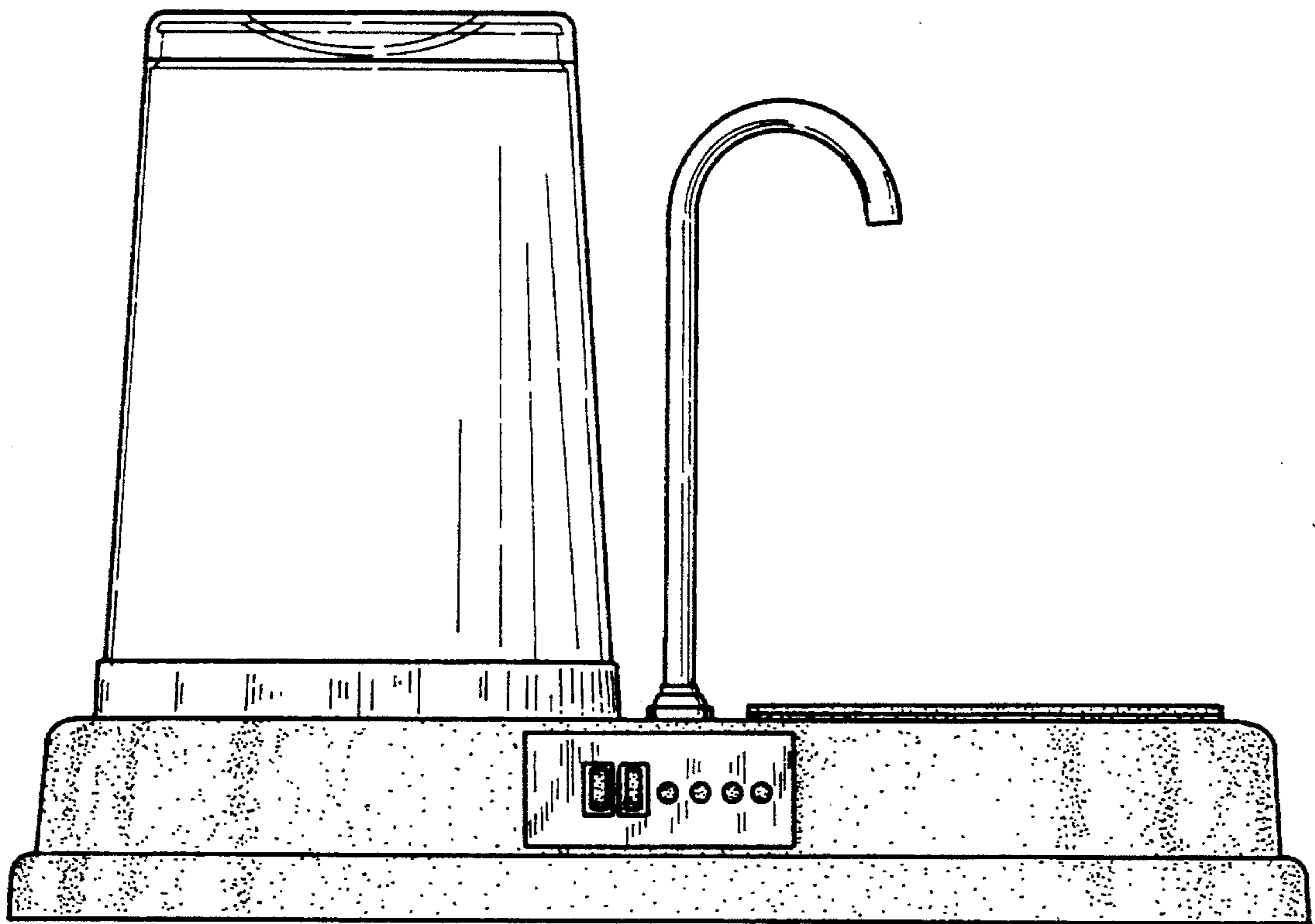
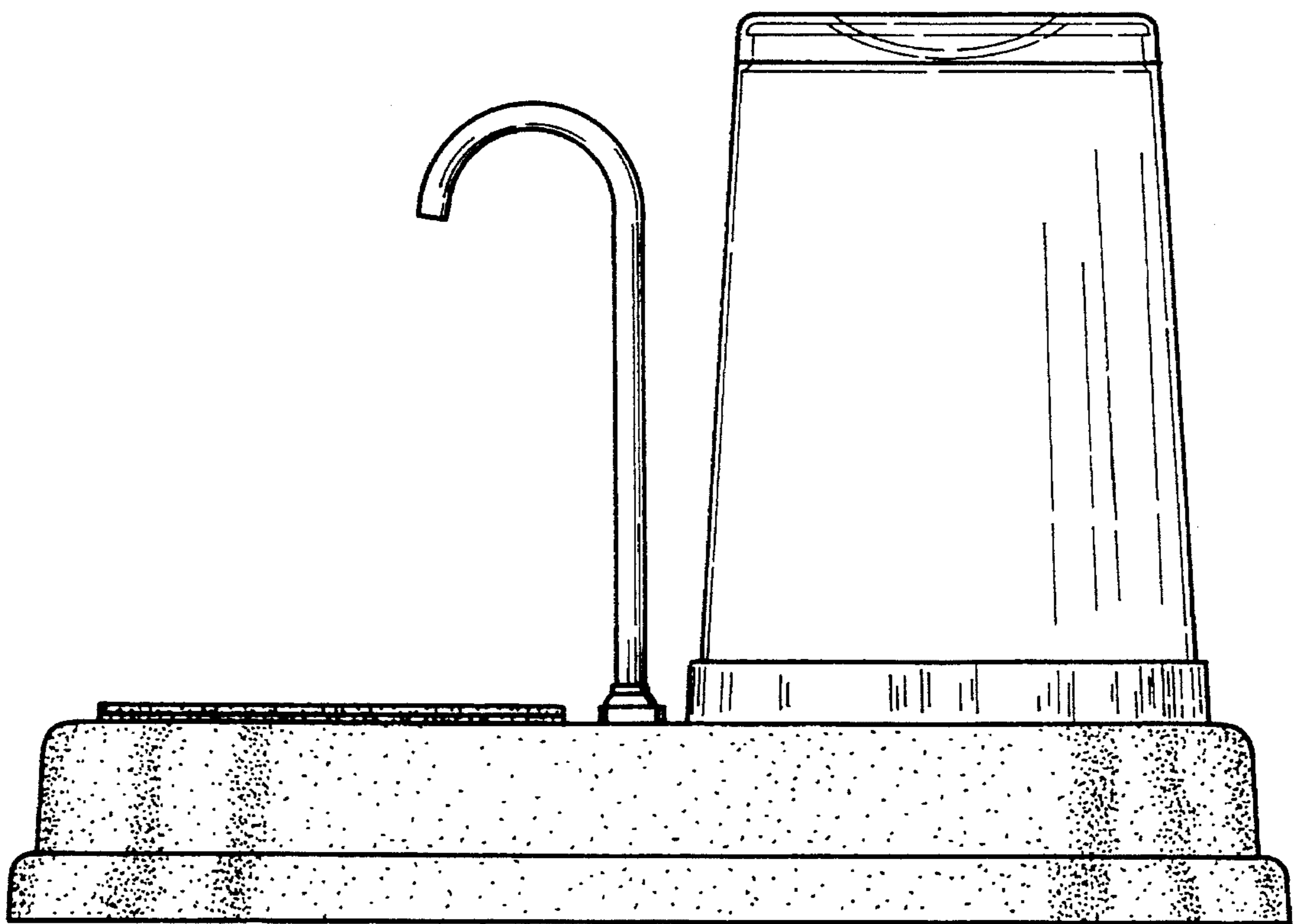


FIG. 1



F I G. 2



F I G. 3

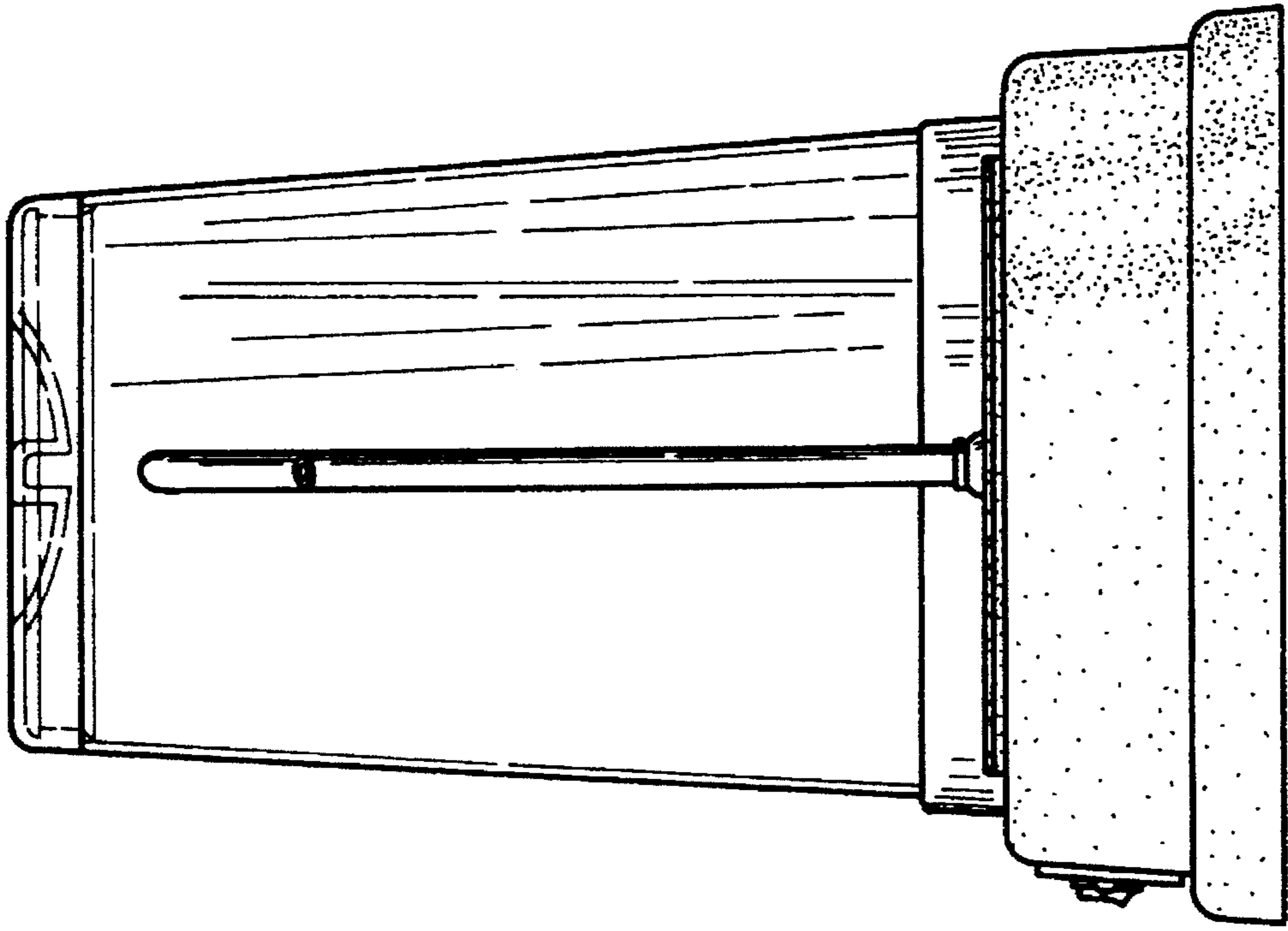


FIG. 5

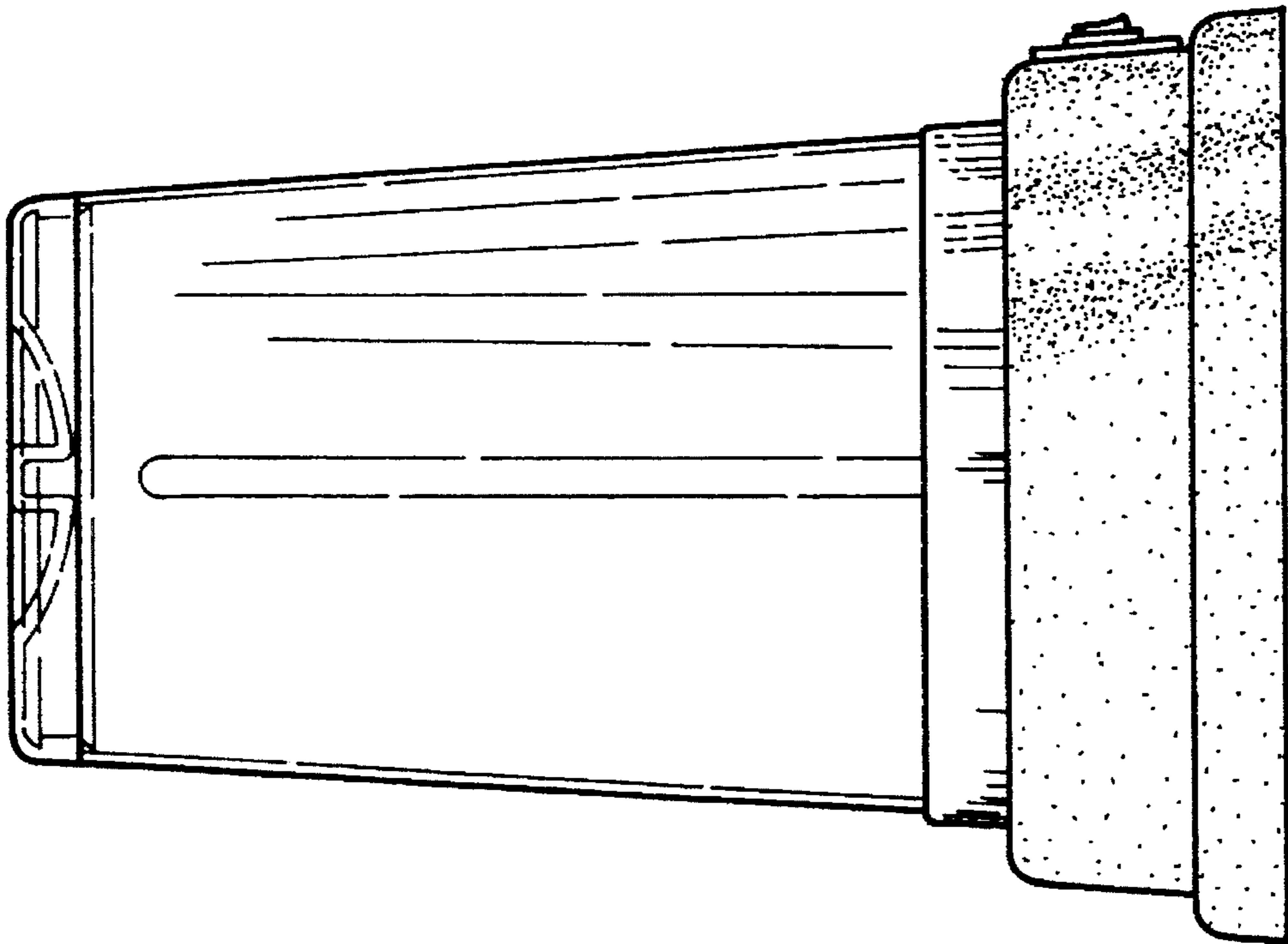
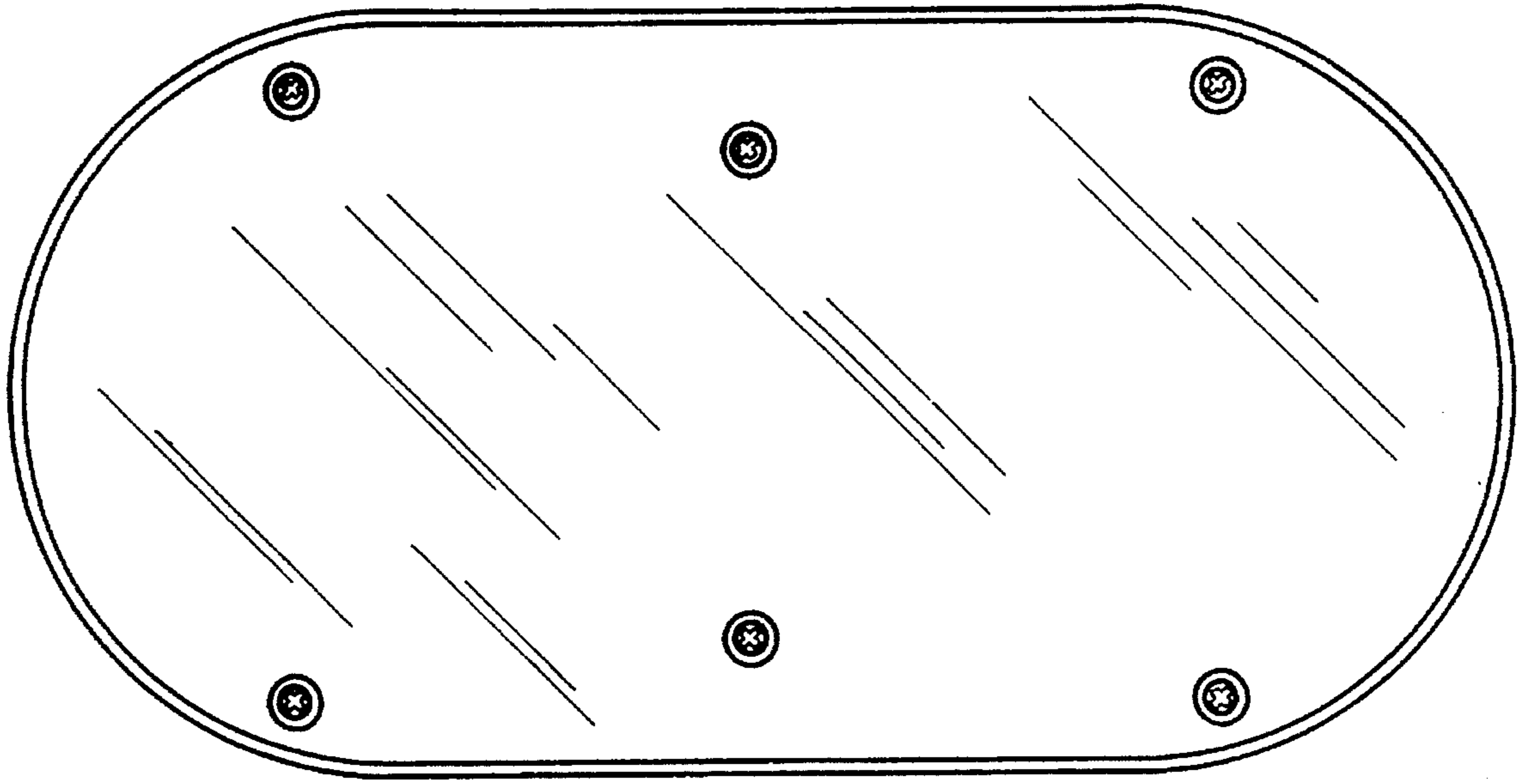
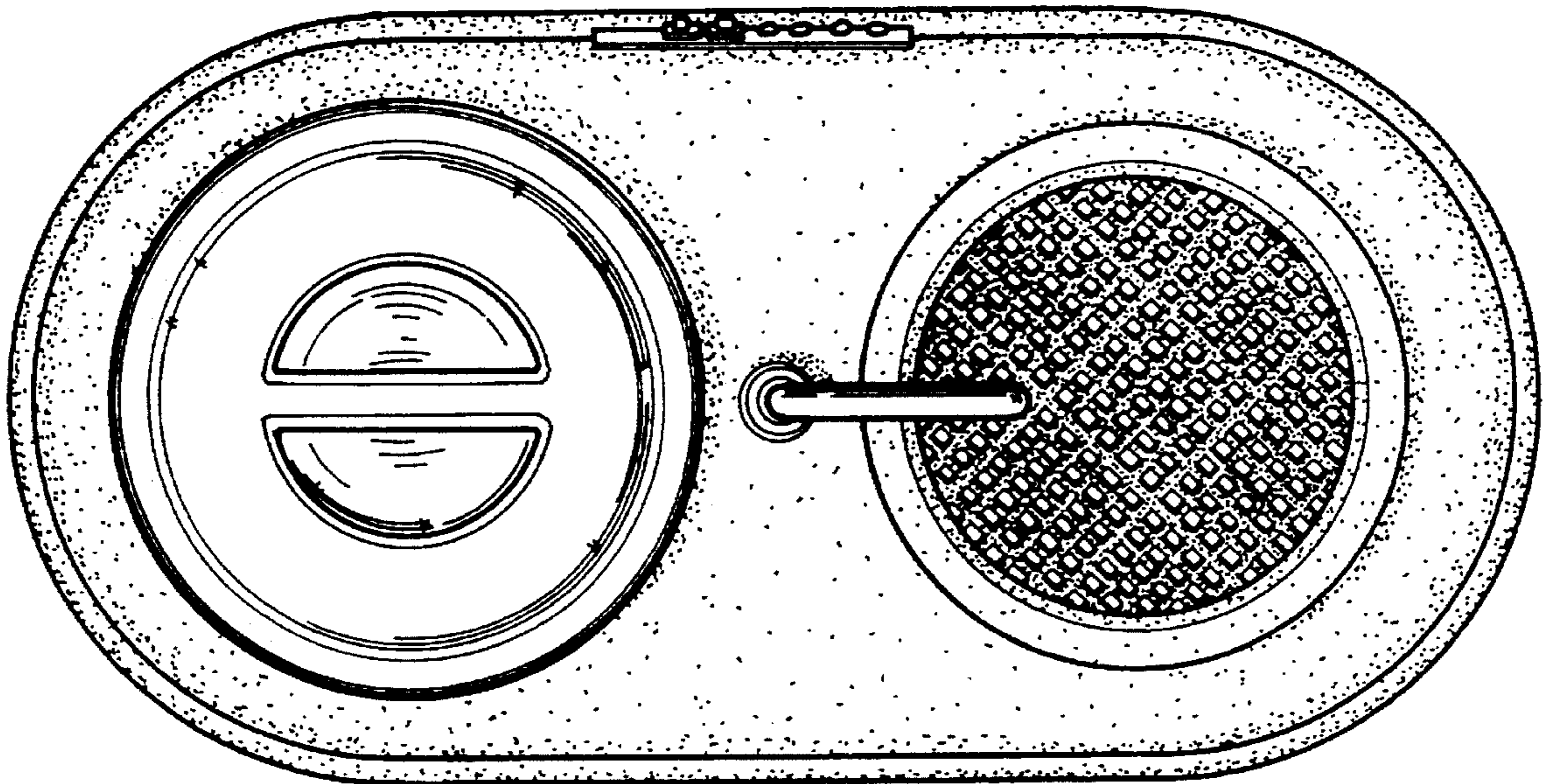


FIG. 4



F I G. 7



F I G. 6