



US00D365487S

**United States Patent** [19]  
**Chen**

[11] **Patent Number: Des. 365,487**

[45] **Date of Patent: \*\*Dec. 26, 1995**

[54] **LD (LASER DISK) STORAGE CASE**

[76] Inventor: **Jui-Yu Chen**, No. 12, Ta Yuan 25 Street, 33 Ling, Chung Shan Ts'un, Tai Ping Hsiang, Taichung Hsien, Taiwan

[\*\*] Term: **14 Years**

[21] Appl. No.: **19,388**

[22] Filed: **Mar. 2, 1994**

[52] U.S. Cl. .... **D6/629**

[58] Field of Search ..... D6/407, 626-635;  
312/9.1, 9.7; 206/387.1, 387.13, 387.15,  
307.1, 308.1, 308.3, 312, 313; 211/40,  
41, 42

[56] **References Cited**

**U.S. PATENT DOCUMENTS**

D. 275,654 9/1984 Yoshizawa ..... D6/627 X  
4,998,618 3/1991 Borgions ..... 206/308.1 X  
5,251,749 10/1993 Knight ..... 206/307.1

**FOREIGN PATENT DOCUMENTS**

401307070 12/1989 Japan ..... 206/308.1

*Primary Examiner*—Alan P. Douglas  
*Assistant Examiner*—S. Snapp  
*Attorney, Agent, or Firm*—Browdy and Neimark

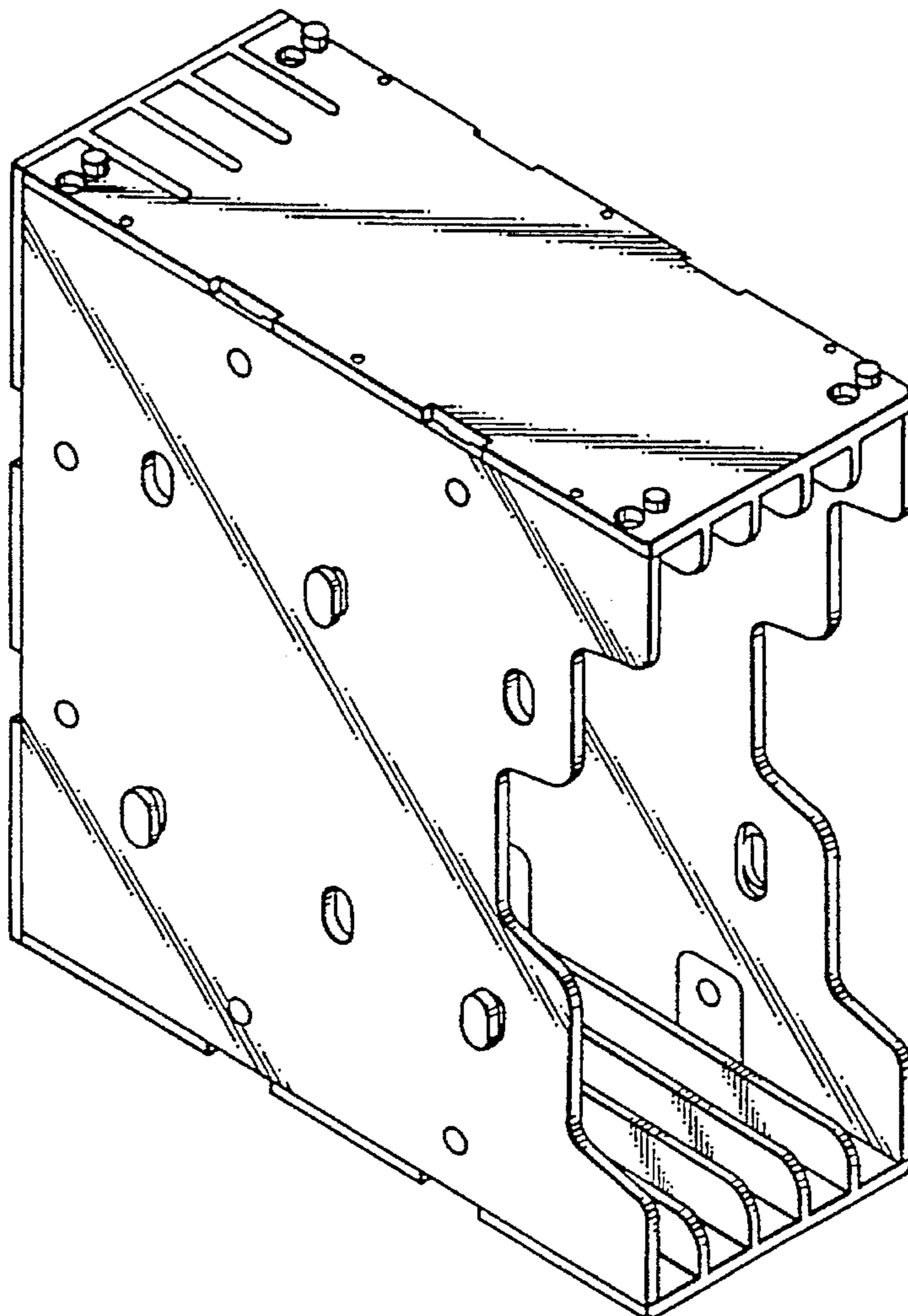
[57] **CLAIM**

The ornamental design for LD (laser disk) storage case, as shown and described.

**DESCRIPTION**

FIG. 1 is a front view of a LD (laser disk) storage case of my new design;  
FIG. 2 is a back view thereof;  
FIG. 3 is a left side view thereof;  
FIG. 4 is a right side view thereof;  
FIG. 5 is a top plan view thereof;  
FIG. 6 is a bottom view thereof;  
FIG. 7 is a perspective view thereof; and,  
FIG. 8 is an illustration of the joining of the case.  
The broken line showing of storage cases is for illustrative purposes and forms no part of the claimed design.

**1 Claim, 4 Drawing Sheets**



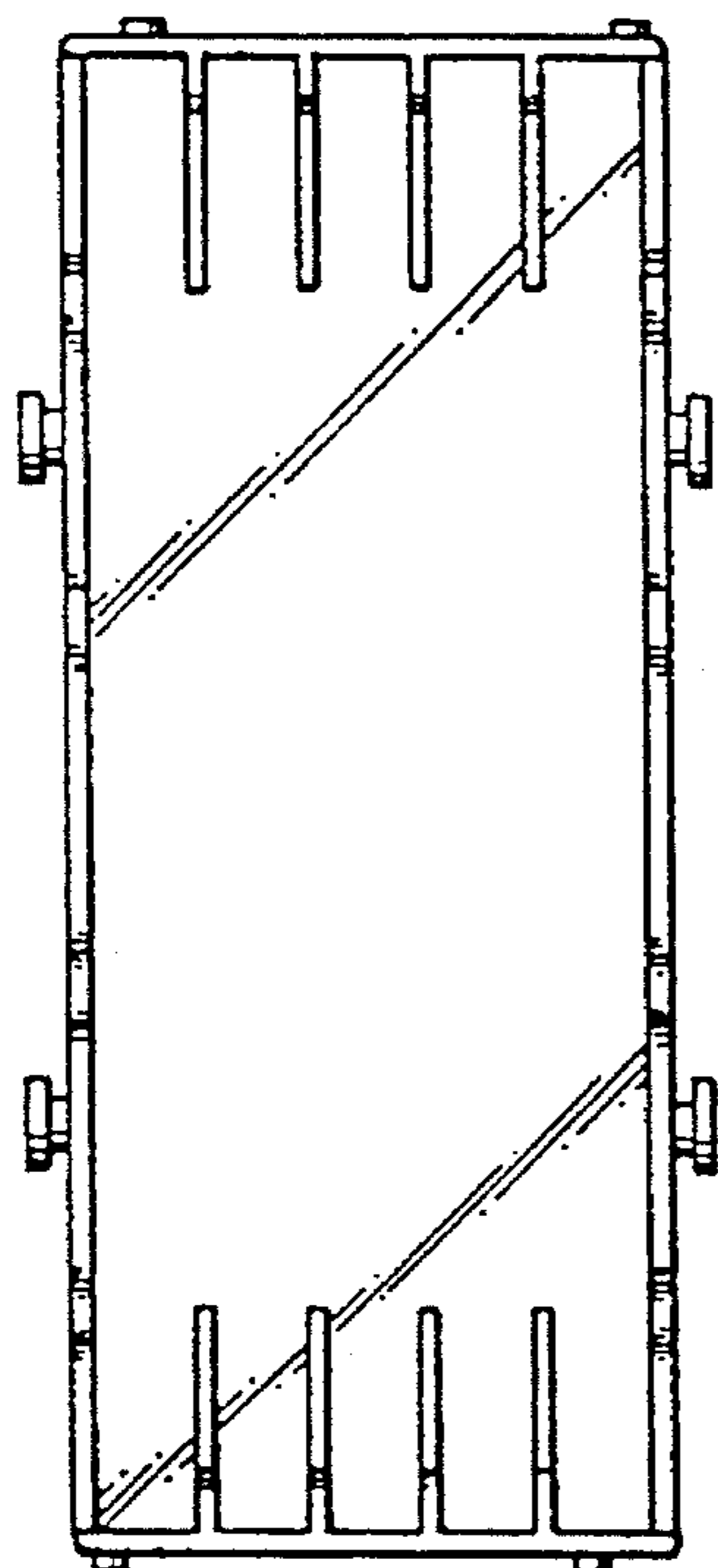


FIG. 1

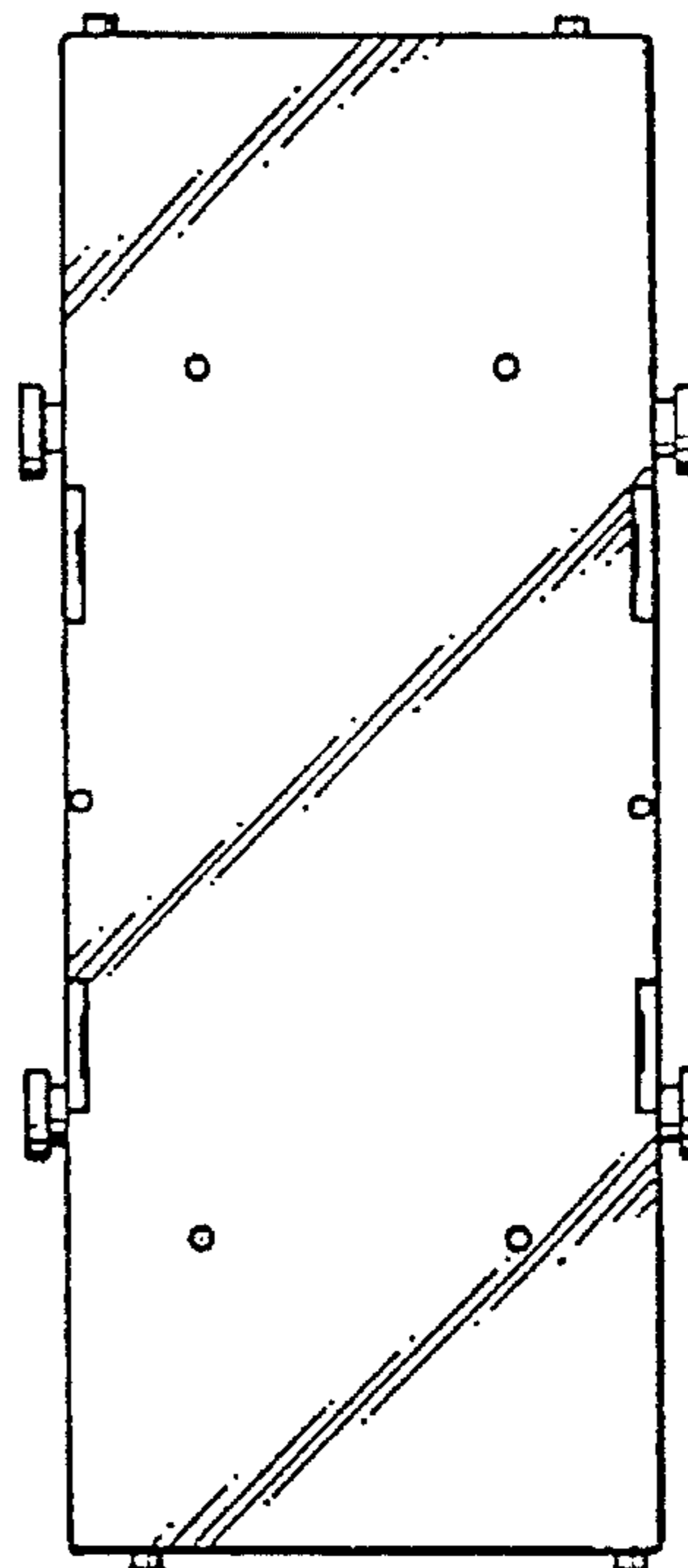


FIG. 2

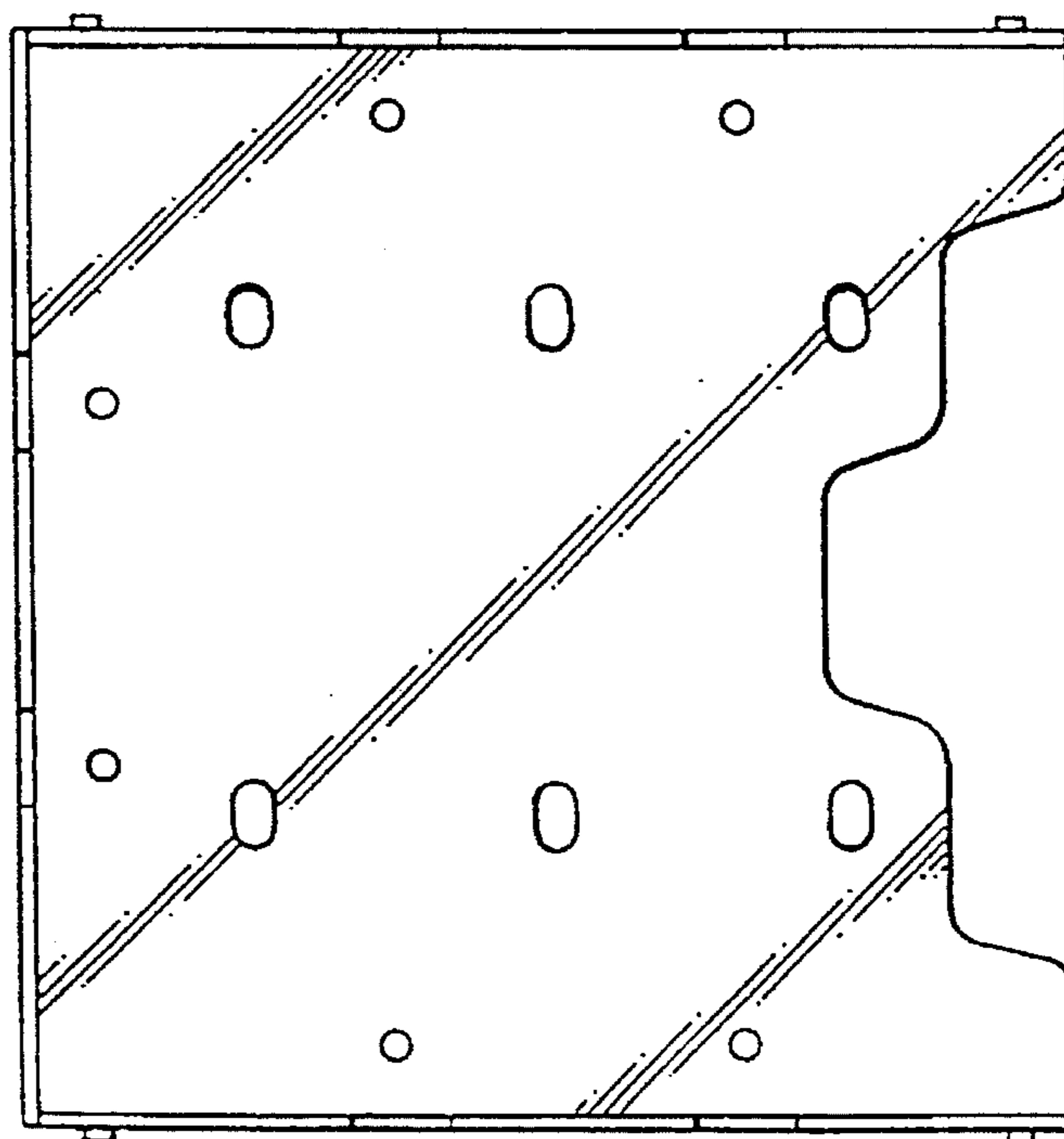


FIG. 3

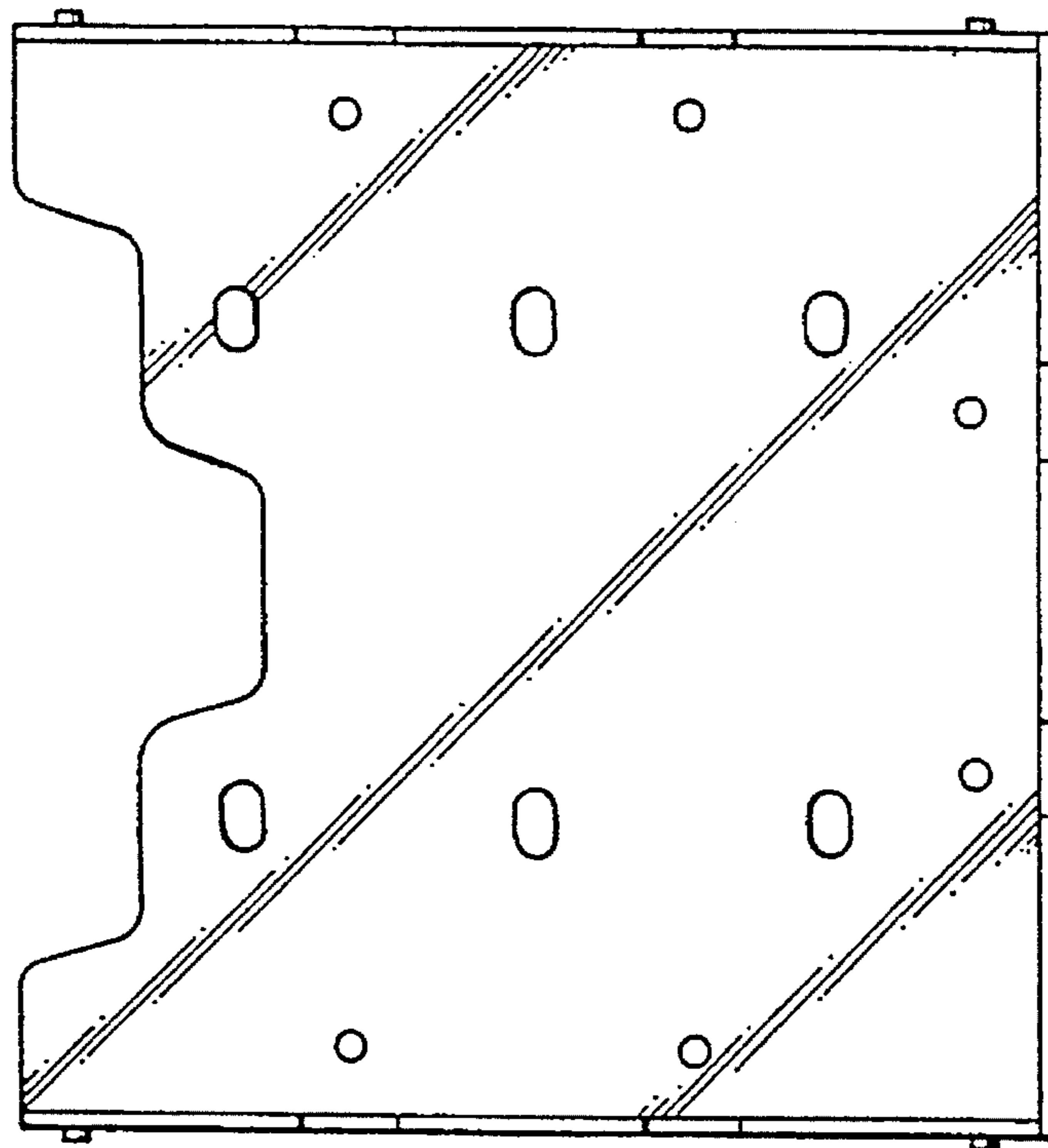


FIG. 4

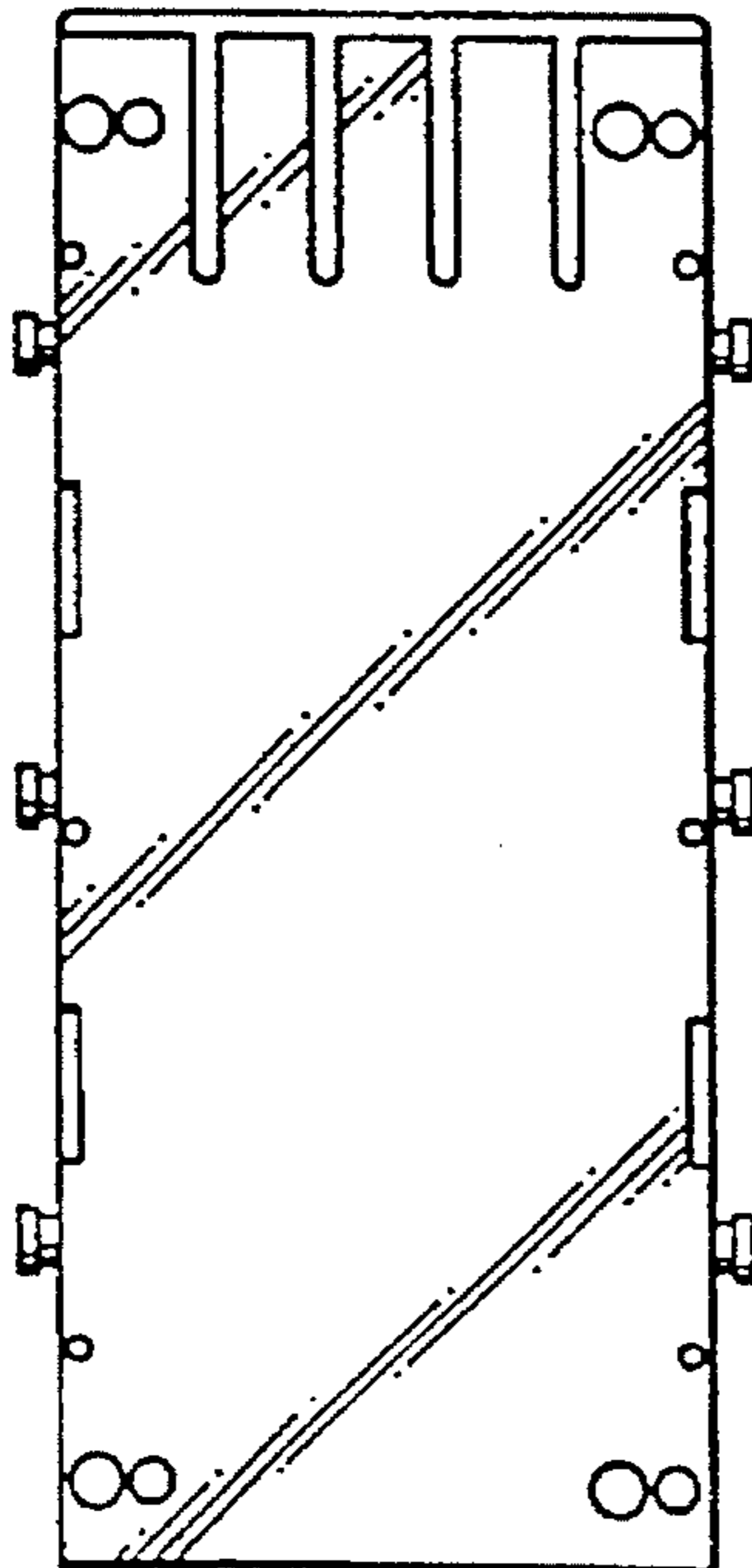


FIG. 5

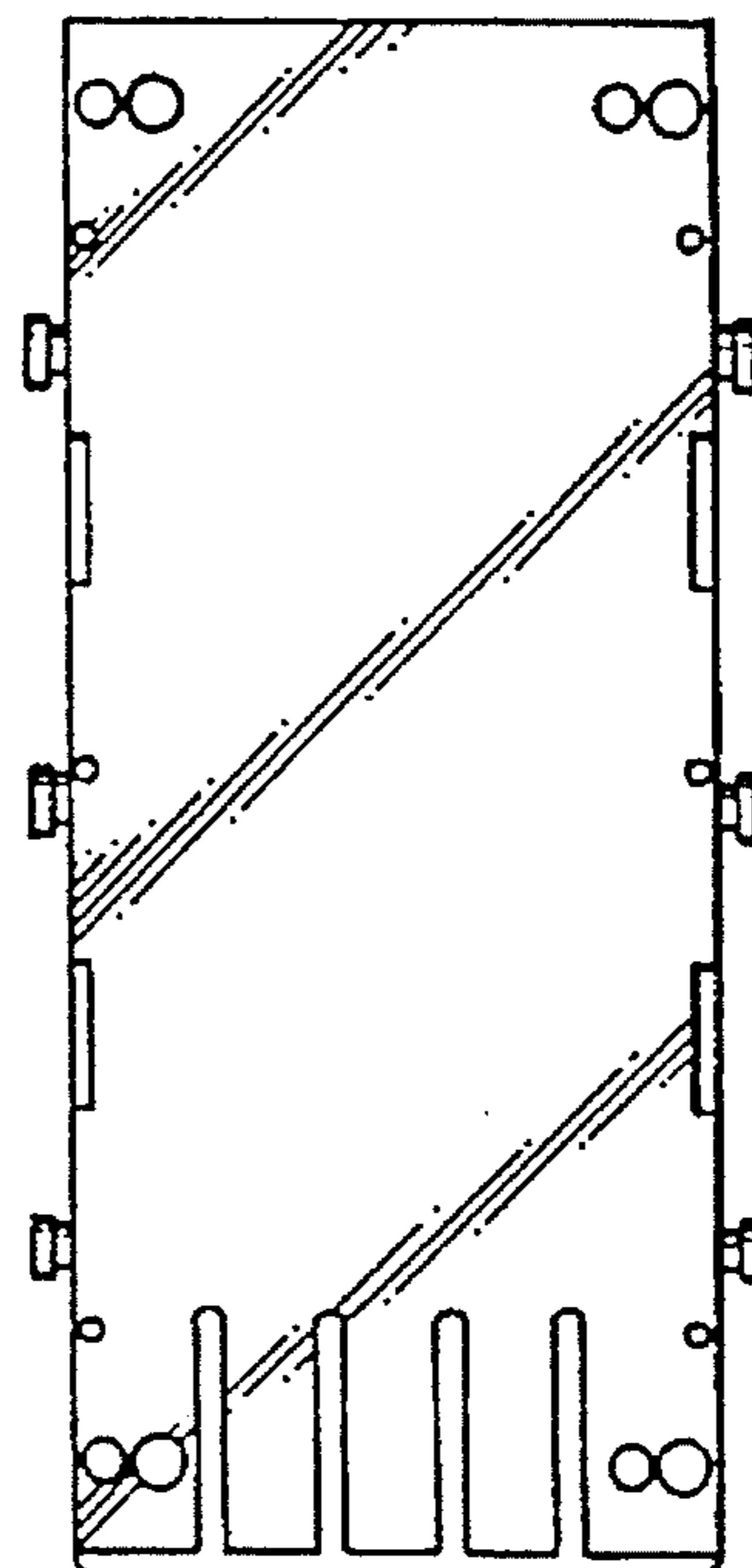


FIG. 6

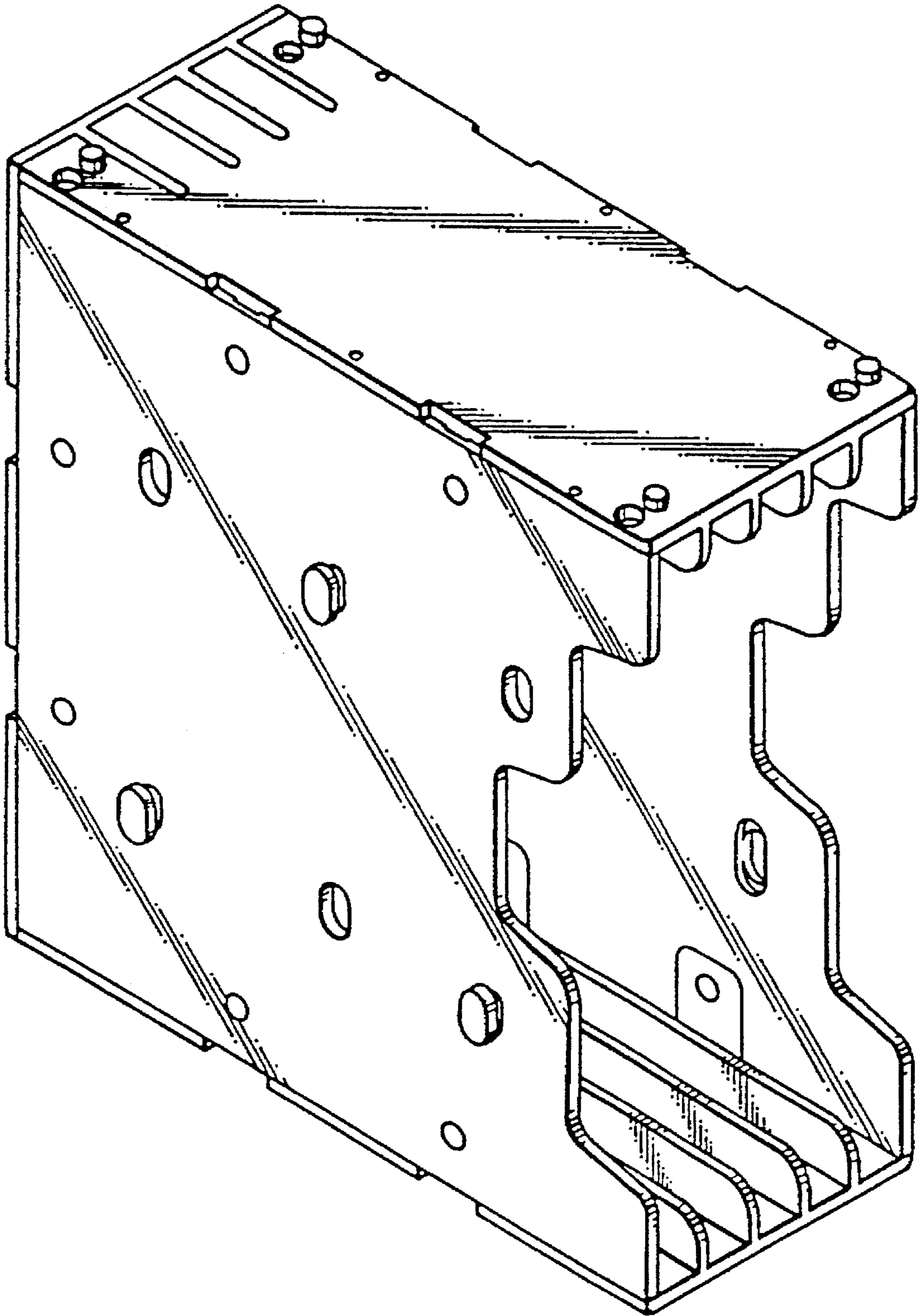


FIG. 7

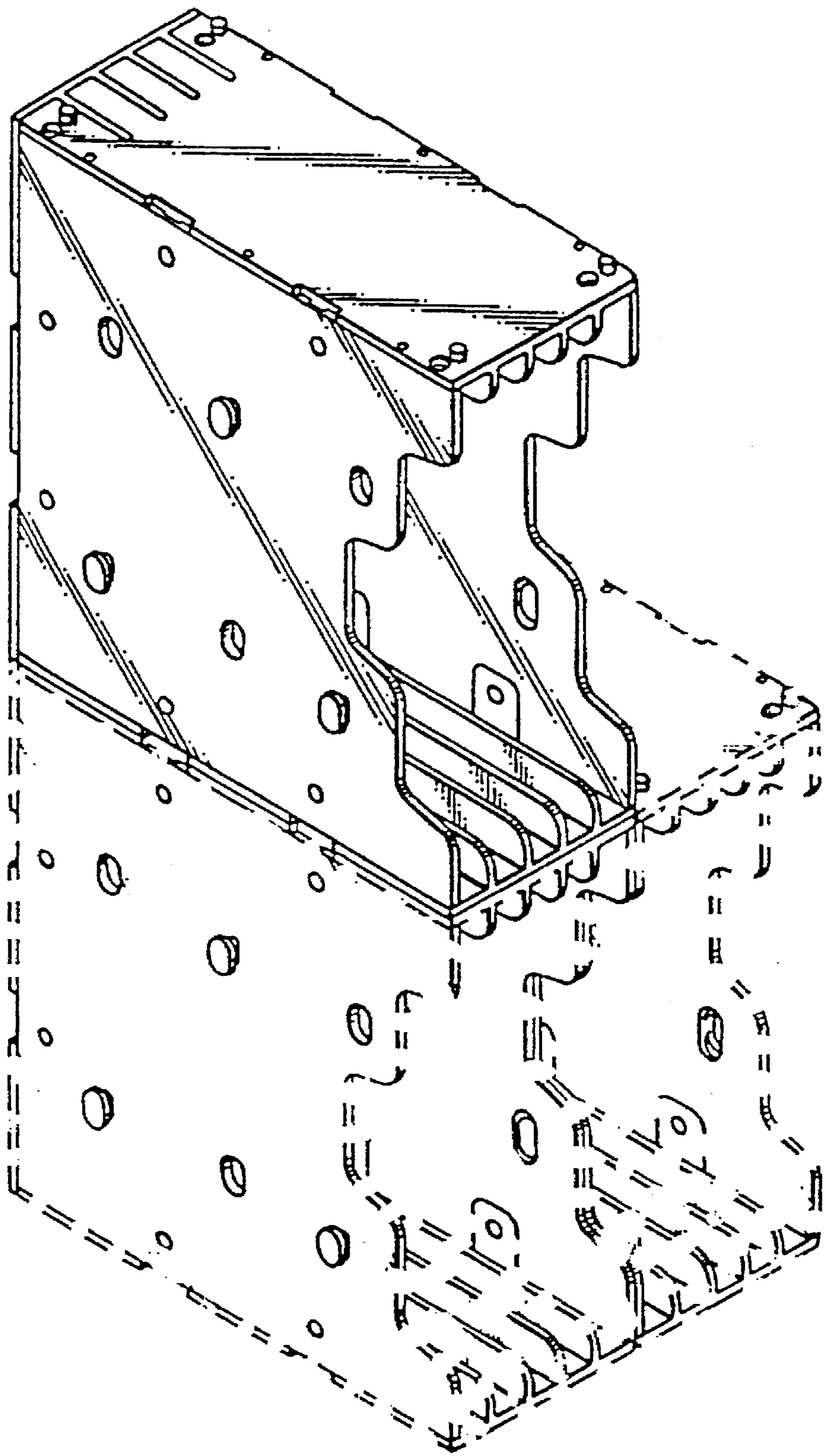


FIG. 8