



US00D365482S

**United States Patent** [19]  
**Larimore**

[11] **Patent Number: Des. 365,482**  
[45] **Date of Patent: \*\*Dec. 26, 1995**

[54] **RUBBER DAM DISPENSER**

[76] Inventor: **Tracee D. Larimore**, 885 School House Rd., Brooks, Ky. 40109

[\*\*] Term: **14 Years**

[21] Appl. No.: **24,726**

[22] Filed: **Jun. 20, 1994**

[52] U.S. Cl. .... **D6/518; D19/75; D9/418**

[58] Field of Search ..... **D6/512, 518, 515; D9/418, 432; D19/86, 92, 75; 221/61, 63, 155, 33**

**References Cited**

**U.S. PATENT DOCUMENTS**

D. 310,243	8/1990	Evenson	.....	D19/75
D. 346,960	5/1994	Bennett	.....	D9/418
1,440,046	12/1922	Ziplinsky	.....	D9/418
2,433,587	12/1947	Wentworth	.....	312/50
2,537,050	1/1951	Gluck	.....	220/18
3,780,908	12/1973	Fitzpatrick et al.	.....	221/48
4,997,105	3/1991	Fischer	.....	221/45
5,123,566	6/1992	Lage et al.	.....	221/63
5,165,570	11/1992	Windorski et al.	.....	221/46

**OTHER PUBLICATIONS**

William Hunrath Co. Inc Brochure, p. 2, #636 Round Hole Tissue Box.

*Primary Examiner*—Kay H. Chin  
*Attorney, Agent, or Firm*—Middleton & Reutlinger; David W. Carrithers

**CLAIM**

[57] The ornamental design for a rubber dam dispenser, as shown and described.

**DESCRIPTION**

FIG. 1 is a perspective view of a rubber dam dispenser made in accordance with my design;  
FIG. 2 is a front elevational view thereof;  
FIG. 3 is a rear elevational view thereof;  
FIG. 4 is a side elevational view thereof;  
FIG. 5 is an opposite side elevational view thereof;  
FIG. 6 is a top plan view thereof;  
FIG. 7 is a bottom plan view thereof; and,  
FIG. 8 is a top plan view of an alternative embodiment of the lid design for a rubber dam dispenser made in accordance with my design.

**1 Claim, 3 Drawing Sheets**

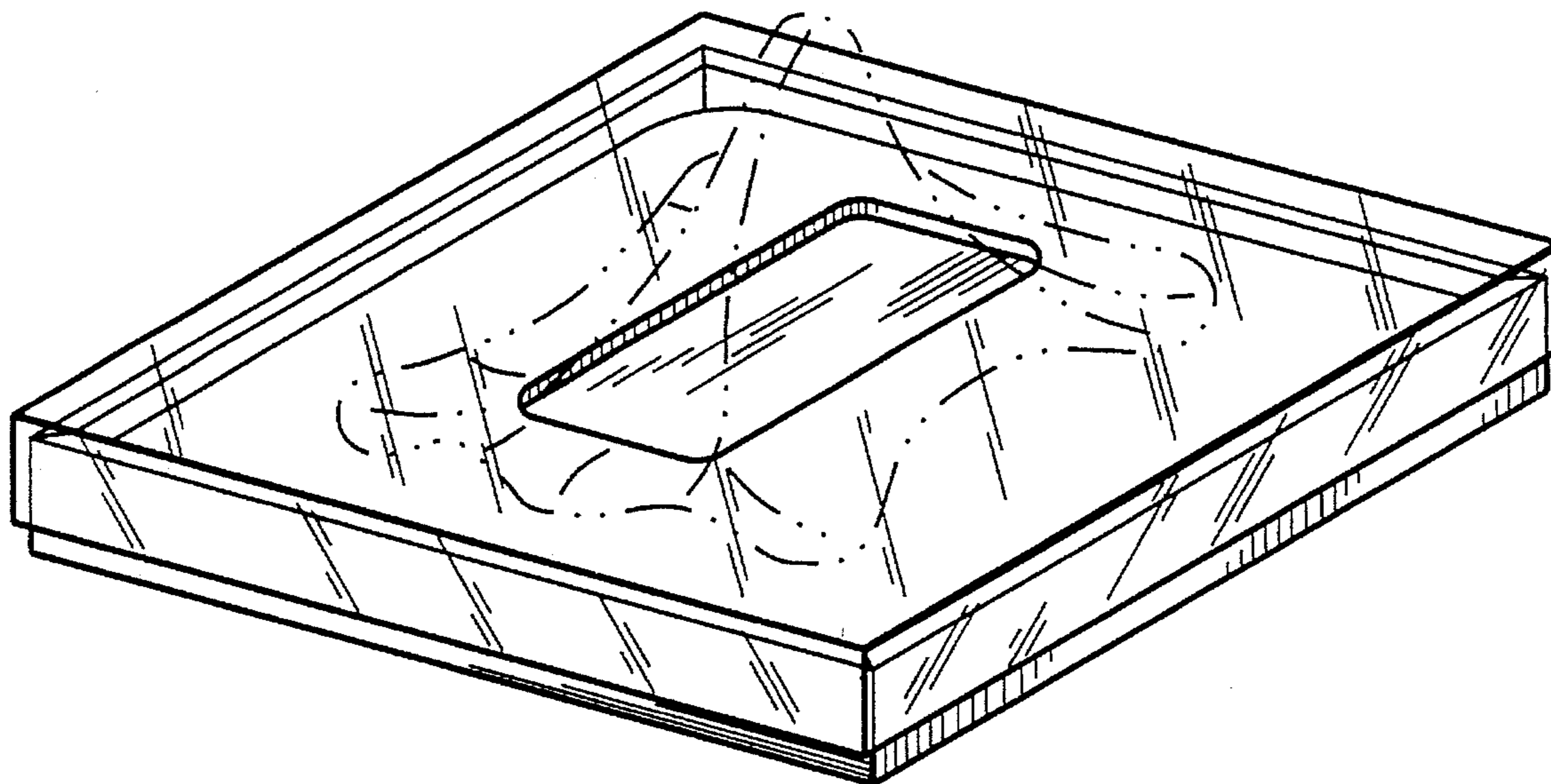


FIG. 1

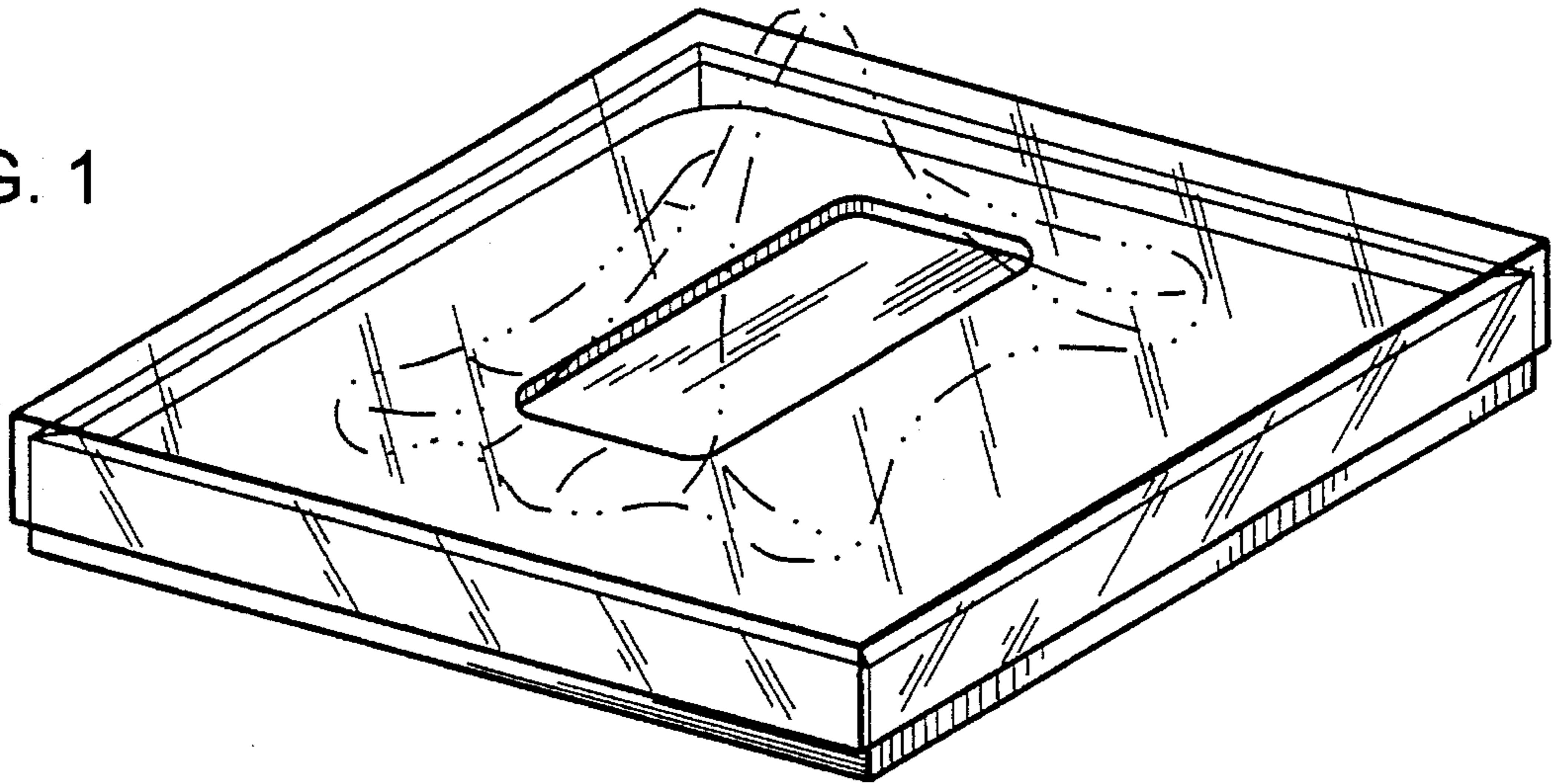


FIG. 2

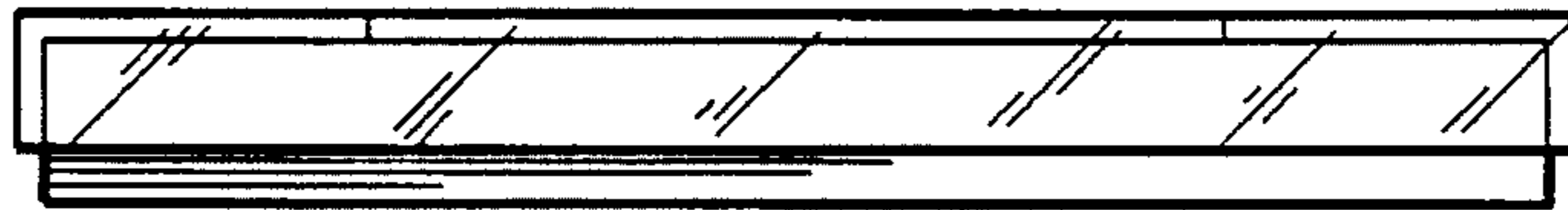


FIG. 3

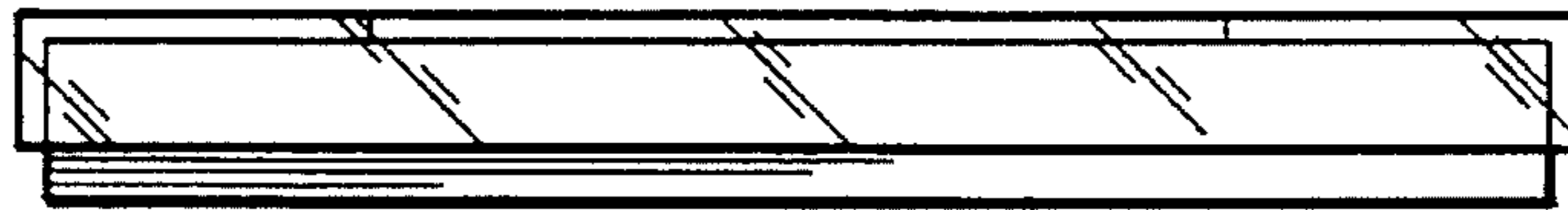


FIG. 4

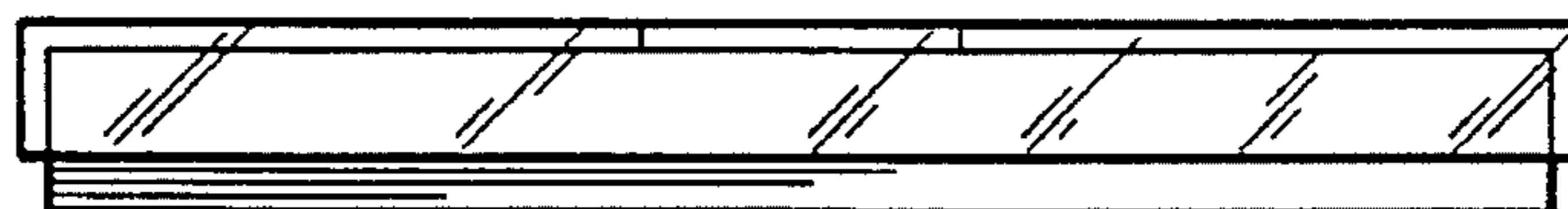


FIG. 5

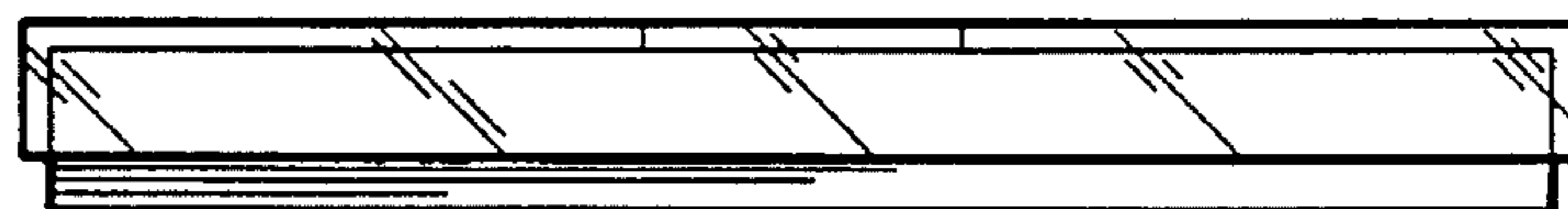


FIG. 6

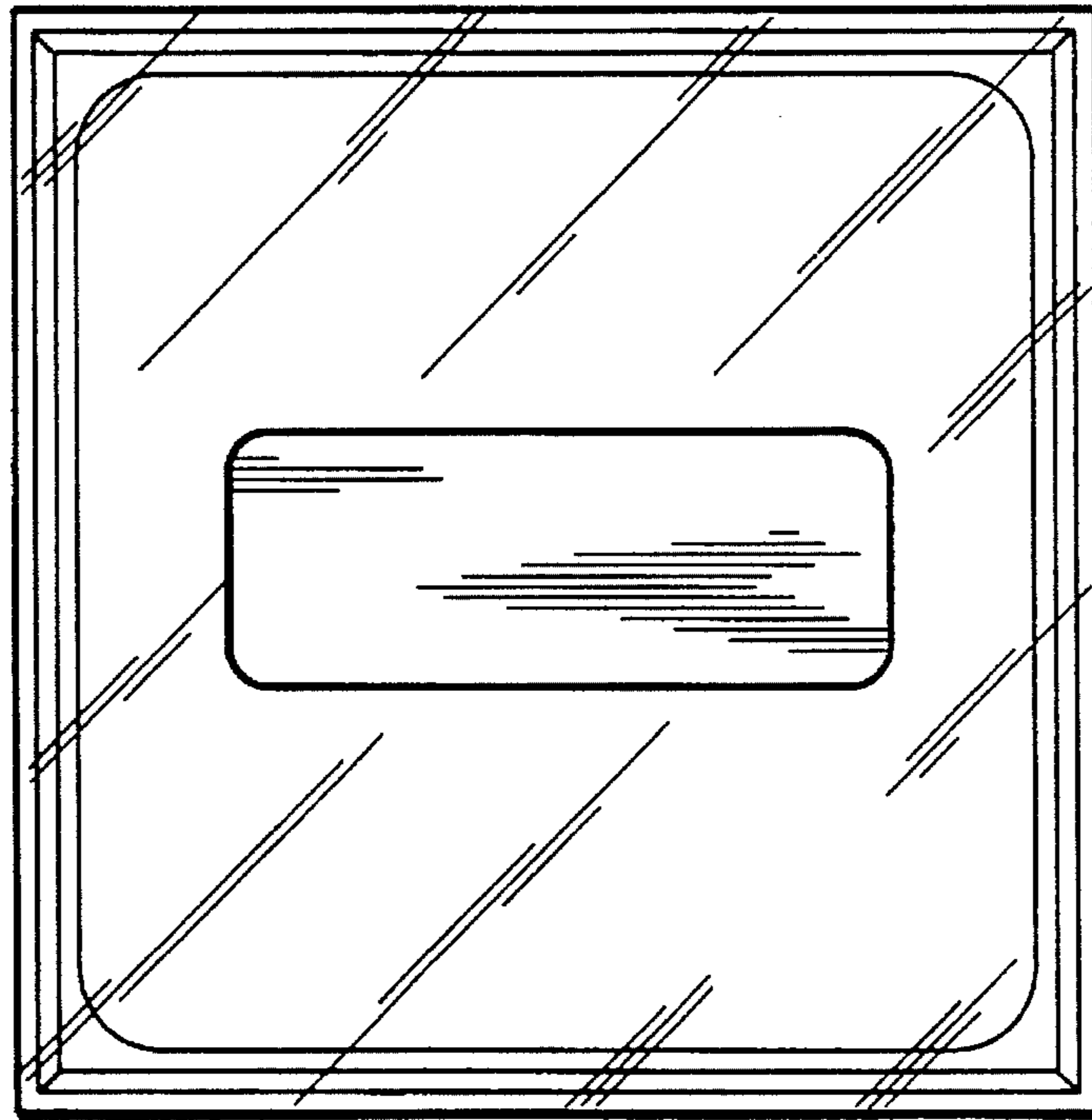


FIG. 7

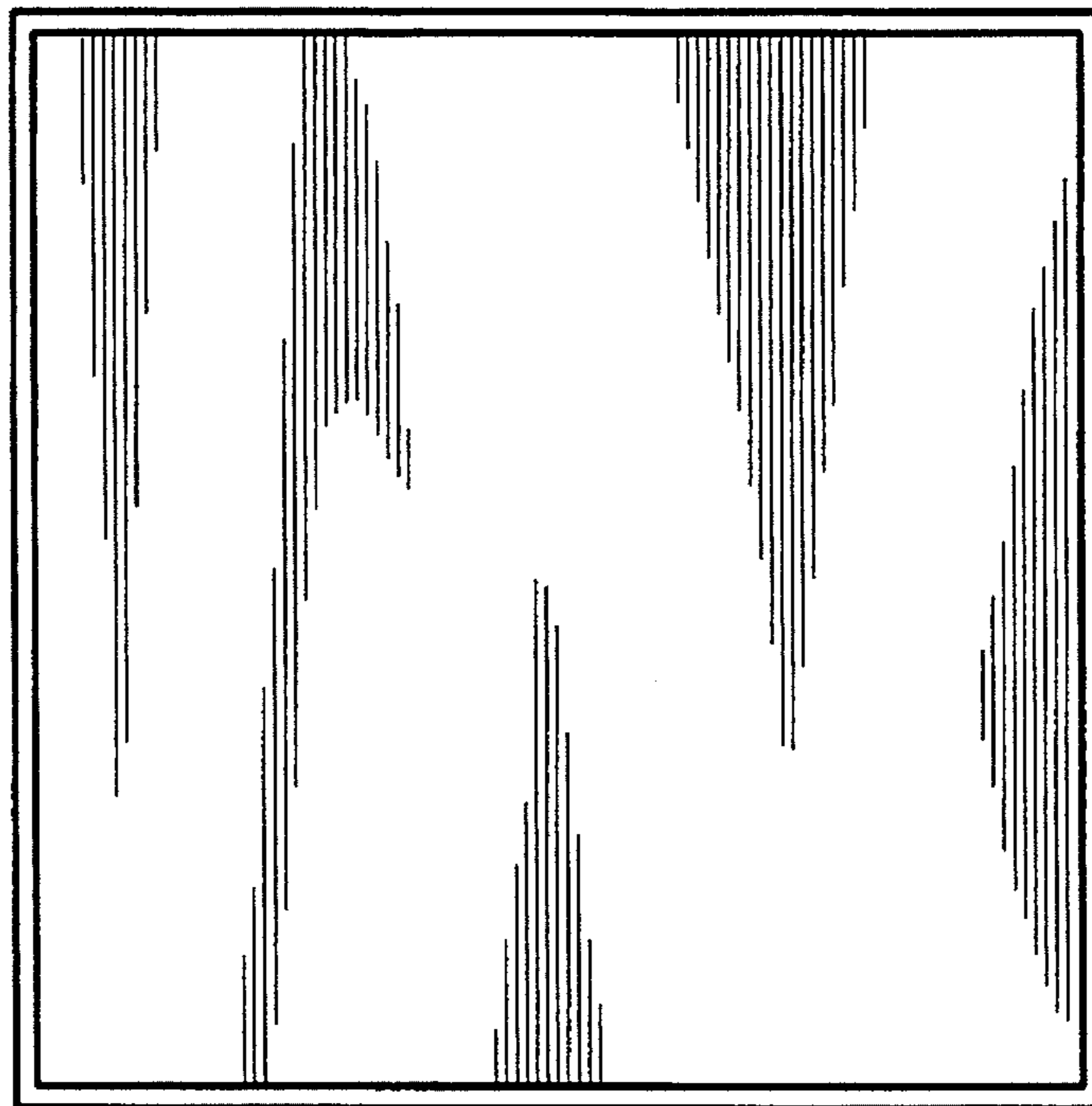


FIG. 8

